

1949

Lincoln

AND

Lincoln Cosmopolitan



**BODY
PARTS**

Catalogue

NOVEMBER, 1949

LINCOLN-MERCURY DIVISION OF FORD MOTOR COMPANY
DETROIT, MICHIGAN

FORM 3641-49

1949

Lincoln

AND

Lincoln Cosmopolitan



BODY PARTS Catalogue

NOVEMBER, 1949

LINCOLN-MERCURY DIVISION OF FORD MOTOR COMPANY
DETROIT, MICHIGAN

COPYRIGHT 1949
FORD MOTOR COMPANY
DEARBORN, MICHIGAN
ALL RIGHTS RESERVED

FORM 3641-49

LITHO IN U. S. A.

QUICK REFERENCE INDEX

Group	Group Name	Page
	Alphabetical Index	V
	Body Illustrations	XV
00120	Body Front	1
03100	Windshield	14
04100	Visor	16
13002	Floor Carpets	33
20122-3	Front Door	39
21402-3	Front Door Vent Window	47
23200-1	Door Window Regulators	57
23868-9	Front Door Trim	61
24622-3	Rear Door	73
27406-7	Rear Door Trims	79
27840-1	Rear Quarter Body Panel	83
40110	Luggage Compartment Door	113
50000	Top and Roof	129
60000	Seat	158

LINCOLN—MERCURY

Division of FORD MOTOR COMPANY

Detroit, Michigan

United States District Offices

- | | | | |
|--|--|---|---|
| <ul style="list-style-type: none"> *Atlanta, Ga. Boston, Mass. *Buffalo, N. Y. *Charlotte, N. C. *Chester, Pa. *Chicago, Ill. Cincinnati, Ohio Cleveland, Ohio *Dallas, Texas | <ul style="list-style-type: none"> *Dearborn, Mich. *Denver, Colo. *Des Moines, Iowa *Edgewater, N. J. *Fargo, N. D. *Houston, Texas *Jacksonville, Fla. Kansas City, Mo. *Long Beach, Calif. | <ul style="list-style-type: none"> Los Angeles, Calif. *Louisville, Ky. *Memphis, Tenn. *New Orleans, La. New York, N. Y. *Norfolk, Va. Oakland, Calif. *Oklahoma City, Okla. *Omaha, Neb. | <ul style="list-style-type: none"> *Pittsburgh, Pa. *Richmond, Calif. *St. Louis, Mo. *Salt Lake City, Utah *Seattle, Wash. *Somerville, Mass. *Twin City (St. Paul, Minn.) Washington, D. C. |
|--|--|---|---|
- *Lincoln-Mercury Parts Depot

MODEL IDENTIFICATION

1949

Lincoln

9 L Series—121" W. B.

BODY TYPE	NAME
72	Six Passenger Coupe
74	Sport Sedan
76	Six Passenger Convertible Coupe

Lincoln Cosmopolitan

9 H Series—125" W. B.

BODY TYPE	NAME
72	Six Passenger Coupe
73	Town Sedan
74	Sport Sedan
76	Six Passenger Convertible Coupe

FOREWORD

This group type **BODY PARTS CATALOGUE** has been prepared in appreciation of the difficulty experienced occasionally in the ordering of Body Parts.

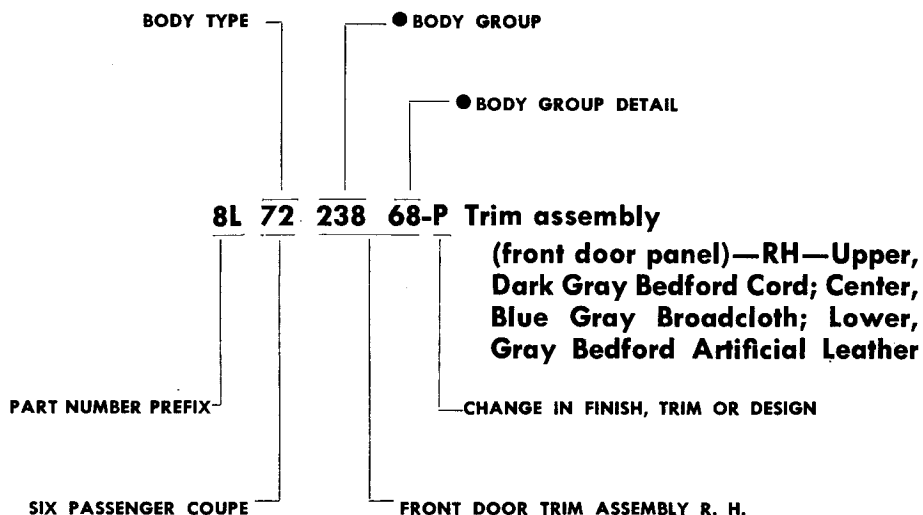
Every effort has been made to insure ease in selecting and ordering the correct parts you need.

We will welcome any suggestions for improvement of future publications of this Catalogue.

LINCOLN-MERCURY DIVISION

GENERAL INFORMATION

FOLLOWING IS A DIAGRAM OF THE BODY PARTS NUMBERING SYSTEM



● These five characters (The combined numbers of the **BODY GROUP** and **BODY DETAIL GROUP**) comprise the Body Group Numbers as used throughout this Body Parts Catalogue except for Chassis Parts and Body Parts engineered prior to the adoption of this **BODY PARTS NUMBERING SYSTEM**.

Basic Body Part Numbers engineered prior to the year 1939 had but 5 (five) or 6 (six) characters.

Example 78-735280 Handle (quarter glass frame)—R. H.

There are a few instances where Part Numbers of this type are used in Current Models. In such instances the **BODY GROUP NUMBERS** contain but 4 (four) characters.

Example Group 5280 Handle (quarter glass frame)

Every effort has been made to insure ease in selecting and ordering the correct or needed parts.

A complete **ALPHABETICAL INDEX** has been included which also lists the various **GROUP NUMBERS** under which parts have been listed.

GROUP NUMBERS are a portion of the complete Part Number and are in numerical sequence.

The first three characters of the Body Group Numbers are as follows:

000-099 FRONT END GROUP	400-499 BACK GROUP
100-199 FLOOR GROUP	500-599 TOP AND ROOF GROUP
200-399 SIDE ASSEMBLY GROUP	600-699 SEAT GROUP

The fourth and fifth characters of the Body Group Numbers are The Body Group Detail Numbers—

To select the correct part needed the following procedure should be followed:

- A. Determine the correct NAME of PART required.
- B. Check ALPHABETICAL INDEX for GROUP NUMBER.
- C. Refer to GROUP NUMBER and select desired PART.

For Example—Should a Trim Assembly for a Right Hand Front Door Panel (Upper, Dark Gray Bedford Cord; Center, Blue Gray Broadcloth; Lower, Gray Bedford Artificial Leather) of a Lincoln Six Passenger Coupe be required the Alphabetical Index lists the group number as 23868-9. By referring to Group 23868-9 on page 61, 8L-7223868-P is listed as Trim Assembly (front door panel)—R. H.—Upper, M-19141-P Dark Gray Bedford Cord; Center, M-19152-T Blue Gray Broadcloth, Lower, Gray Bedford Artificial Leather—Manual or Hydraulic Control.

YEAR 19-	BODY TYPES	REMARKS	PART NUMBER	NO. REQ'D
GROUP 23868-9 TRIM ASSEMBLY (FRONT DOOR PANEL)				
49	9L72	R. H.—Upper, M-19141-P Dark Gray Bedford Cord; Center, M-19152-T Blue Gray Broadcloth; Lower, Gray Bedford Artificial Leather—Manual or Hydraulic Control	8L 7223868-P	1
49	9L72	L. H.—Upper, M-19141-P Dark Gray Bedford Cord; Center, M-19152-T Blue Gray Broadcloth; Lower, Gray Bedford Artificial Leather—Manual or Hydraulic Control	8L 7223869-P	1
49	9L	Screw (oval head sheet metal)— No. 6 x $\frac{3}{4}$ "	33000-S13	4

The remarks column includes such information as right or left hand, finish, dimensions, type of trim, size of attaching parts and special notations.

Attaching parts such as Bolts, Screws, Clamps, etc., are listed below the part with which they are used.

Illustrations throughout this Catalogue are for a particular BODY TYPE although GROUP NUMBERS and DESCRIPTIONS are applicable to practically all BODY TYPES.

With the exception of attaching parts such as bolts, nuts, etc., group numbers only appear on exploded illustrations.

Do not order parts by the GROUP NUMBER or GROUP HEADINGS as shown on Illustrations; always consult the list of Parts for complete PART NUMBER.

The driver's position governs such parts as doors, seats, etc., as to whether an item is Right Hand or Left Hand.

Always give complete PART NUMBER and NAME of each part ordered.

Specify whether shipments are to be made by Freight, Express or Parcel Post.

Listed below is a brief General Telegraphic Code covering miscellaneous instructions relative to the shipment of parts.

ANGRA—Express at Once

ANILE—Express Direct To

BOOBA—Ship Fast Freight

BEAGA—Post Today

BREWA—Advise How and When Shipping

Alphabetical Index

PART NAME	GROUP NO.	PART NAME	GROUP NO.
- A -			
Adjuster (seat hydraulic)	60473	Bolt (door window regulator stop)	23338
Arm (visor bracket)	04110-1	Bow (folding top)-No. 3	51272
Arm assy (door check)	23500	Bow (top folding compartment)	54630
Arm assy (luggage compartment door support)	44200-1	Bow assy (folding top)-No. 3	51269
Arm assy (rear door check)	27200	Bow assy (top folding)-No. 3	53005
Arm and bracket assy (visor)	04144	Bow assy (folding top)-rear	51278
Arm rest assy (front door)	24140-1	Bow and dome lamp bracket assy (roof)-No. 1	51269
Arm rest assy (rear seat center)-trimmed	67240	Bow and links assy (folding top)-No. 2	51264
Arm rest assy (rear quarter)	31600-1	Box assy (glove compartment)	06010
Armature assy (hydraulic pump motor)-complete	53349	Box & snuffler assy (frt. seat back ash receptacle)	62896
Anchor (robe cord)	62808	Box & snuffler assy (instrument panel ash receptacle)	04806
Anti squeak (body to frame)	00152	Brace (dash to frame)	01714
Anti squeak (body to frame)	00154	Brace (dash to frame)	01726-7
Anti squeak (body to frame)	12322	Brace (dash to frame)	01780-1
Anti squeak (cowl side panel)	02065	Brace (front body hinge pillar to floor)	02582-3
Anti squeak (ext. reinf. front body pillar upper hinge to hinge support)	1338	Brace (quarter lock pillar to floor)	29388-9
Anti squeak (front body hinge pillar brkt. to fender flange support)	02060	Brace (quarter panel to package tray)	46624-5
Anti squeak (front lower luggage compartment board support)	45864	Bracket (assist loop)	31420
Anti squeak (front seat support block)	45866	Bracket (back belt flanging strip center to wheelhouse strainer)	44664-5
Anti squeak (hand brake bracket)	04399	Bracket (coat hanger)	31452
Anti squeak (lower luggage compartment shelf board support side front)	45817	Bracket (door division channel)-lower	22928-9
Anti squeak (lower luggage compartment shelf board support side rear)	45812	Bracket (door hydraulic hose conduit clamp)	53332
Anti squeak (luggage compartment board front)	45816	Bracket (door hydraulic window regulator arm)	23236
Anti squeak (luggage compartment board support front upper)	45865	Bracket (door vent window latch locking)	23058
Anti squeak (luggage compartment shelf board support rear upper)	45813	Bracket (folding top upper quarter pillar)	50378-9
Anti squeak (quarter panel inside)-side	27857	Bracket (front seat lock lever)	61799
Anti squeak (quarter panel inside)-upper	27856	Bracket (front seat support to floor pan)-front	60456
Anti rattle (folding top No. 1 bow locking rod)	51422	Bracket (front seat support to floor pan)-rear	60462-3
Anti rattle (radio grille)	04425	Bracket (hand brake lever)	01701
Anti rattle (radio grille reinforcement)	04423	Bracket (hydraulic motor mounting cushion)	53384
Ash receptacle assy (front seat back)-complete-less lighter and emblem	62869	Bracket (hydraulic seat adjuster)-rear	60457
- B -			
Baffles (fresh air vent)	01918	Bracket (hydraulic seat regulator to floor)	53414
Bail (hydraulic pump reservoir)	53378	Bracket (luggage compartment door support arm)	44218-9
Band (seat back cushion button)	63504	Bracket (luggage compartment spare wheel mounting)	47070
Bar (back window division)-inner	42078	Bracket (luggage compartment trim panel wheelhouse)	43557
Bar (back window division)-outer	42076	Bracket (motor and hydraulic pump to dash)-upper	53338
Bar (window regulator switch bus)	24219	Bracket (No. 2 bow connecting link to frt. side rail)	50890-1
Bar assy (quarter vent window division)	30234-5	Bracket (package tray to floor pan strainer)	46612-3
Bar and bracket assy (front door ventilation window division bar)-including weatherstrip	22296-7	Bracket (quarter panel wheel cover guide)-front	28000-1
Binding (header bow)-folding top	52308	Bracket (quarter panel wheel cover guide)-rear	28002-3
Binding (rear roof bow)-folding top	52300	Bracket (quarter vent window division bar)-lower	30274
Binding (roof rail wire on)	52320	Bracket (quarter window)-on body	29932-3
Board (luggage compartment shelf)-side	45808	Bracket (quarter window division bar lower fastening)	30240
Board assy (luggage compartment shelf)-center	45800	Bracket (quarter window guide)-lower	29798
Board assy (luggage compartment shelf)-front	45766	Bracket (rear quarter arm rest to wheelhouse)	31632
Body front assy	00120	Bracket (rear quarter window frame locking)	30258
Body and socket assy (lighter)	04620	Bracket (rear seat back frame support to floor strainer)	62410-1
		Bracket (roof rail to wheelhouse)	51188-9
		Bracket (top control rod)	50580
		Bracket (top hydraulic cylinder to floor)	50764
		Bracket (top mounting)	53118-9
		Bracket (top operating valve dash)	01658
		Bracket (top slat iron side rail to header)	50832-3
		Bracket (visor arm)	04122-3
		Bracket & handle shaft assy (door ventilator window)	22938
		Brush (hyd. pump motor frame and field assy)	53383
		Bumper (body center pillar)	24414
		Bumper (cowl side panel to hood)	0546
		Bumper (door glass frame stop)-front	22320
		Bumper (floor pan to rear axle)	11329
		Bumper (glove compartment door)	06066
		Bumper (glove compartment door hinge)	06115

Alphabetical Index

PART NAME	GROUP NO.	PART NAME	GROUP NO.
Bumper (quarter panel fuel tank lid)	06066	Clip (roof panel moulding)-rear	51736
Bumper (quarter window glass run)	29986	Clip (window reveal moulding)	20925
Bushing (folding top lock handle shaft)	53121	Clip (windshield outside finish moulding)	03092
Button (door ventilator window handle)	22984	Collar (air valve)	01852
Button assy (deck lid push)	43614	Container assy (top dust hood)	54486
Button assy (door outside handle)	22450	Control assy (front door lock remote)	21818-9
Button assy (seat trim)	63500	Control assy (front door lock remote)	21830-1
Button band (seat back cushion)	63504	Control assy (rear door lock remote)	26404-5
Button strap (front back cushion)	63518	Control assy (rear door lock remote)	26406-7
Button strap (rear back and center arm rest)	67266	Control rod assy (top)	50570
- C -			
Cable assy (air valve control)	01890	Cord assy (front seat back robe)	62800
Cap (assist loop bracket)	31422	Cordwelt assy (front seat back)	65224
Cap (door lock pillar)	20972	Cordwelt assy (front seat side shield)	66450
Cardboard (cowl trim)	02344-5	Cordwelt and tab assy (front seat back)	65228-9
Cardboard (luggage compartment)-front	45444	Cover (back window outside moulding joint)	42432
Cardboard (luggage compartment)-side rear	45416-7	Cover (cowl side panel opening)	02092
Cardboard (package tray trim)	46656	Cover (floor pan rear gas gauge)	11290
Carpet assy (front seat base)-side	62662-3	Cover (front seat frame center)-front	62659
Carpet assy (front seat base foot rest)	62654	Cover (front seat hinge stop adjuster screw)	61115
Carpet assy (front seat base frame tube)	62664	Cover (luggage compartment floor)-front	45460
Carpet assy (front seat frame center toe board)	62670	Cover (luggage compartment)-quarter wheelhouse	45466-7
Carpet assy (rear floor)	13046	Cover (luggage compartment)-tire board	45616
Carpet assy (rear floor)	13050	Cover (package tray to rear window)	51966
Carpet assy (rear seat heel board)	67516	Cover (rear seat back rear panel)	66930-1
Carpet and binding assy (dash)	01760	Cover (transmission band adjustment)-access hole	12129
Carpet and binding assy (front floor)-center	13002	Cover assy (front seat back cushion)	64416-7
Carpet and binding assy (frt. floor)-one piece design	13018	Cover assy (front seat back frame)	64430-1
Carpet & binding assy (front floor)-L.H.-without pad	13019	Cover assy (front seat back frame hinge)-outside	64598
Carpet & binding assy (front floor)-R.H.-without pad	13018	Cover assy (front seat base center bracket)	64614
Channel assy (door window glass lifter)	21458-9	Cover assy (front seat base strainer)-rear	62694
Channel assy (front door glass)	21458-9	Cover assy (front seat cushion)	62900
Channel assy (quarter window front lower corner)	29958-9	Cover assy (front seat frame)-inside	66432-3
Channel & bracket assy (door window glass run)-lock side	21702-3	Cover assy (luggage compartment)-side front	45472-3
Channel and bracket assy (front door glass)	21462-3	Cover assy (luggage compartment floor)-front	48468
Channel and bracket assy (quarter glass)	29900-1	Cover assy (luggage compartment shelf)	45456
Channel and bracket assy (rear door glass)	26228-9	Cover assy (quarter panel wheel opening)	27963-9
Clamp (door hydraulic hose conduit)	53356	Cover assy (rear seat back cushion)	66606-7
Clamp (folding top quarter pad to No. 3 bow)	51267	Cover assy (rear seat center arm rest)	67244
Clamp (hose to hose cover spring retainer)	53356	Cover assy (rear seat cushion)	63804
Clamp (quarter window frame)-lower pivot	30548	Cover and Carboard assy (front seat back frame)	64410-1
Clamp (spare wheel)	47074	Cover and receptacle assy (quarter ash)	30696
Clip (back window finish moulding)-outside	42432	Cover spring (hydraulic window lift hose)-rear door	27336
Clip (door weatherstrip retainer)	20574	Cover spring (hydraulic window reg. hose and wire)	24258
Clip (door weatherstrip retainer)-front	20478	Curtain assy (folding top back)	52500
Clip (floor pan to outer trim panel locating)	11334	Cushion (hydraulic motor mounting)	53382
Clip (folding top compartment trim support rod)	54639	Cushion assy (front seat)	60050
Clip (hydraulic tube to dash)	53370	Cushion assy (front seat back)	64400-1
Clip (hydraulic tube to floor)	53373	Cushion assy (rear seat)	60080
Clip (hydraulic tube to floor pan reinforcement)	53367	Cushion assy (rear seat back)	66604-5
Clip (hydraulic 3 tube mutiple)	53367	Cylinder (top operating)	50601
Clip (hydraulic tubing)	14577	Cylinder assy (door hydraulic window regulator)	23244
Clip (hydraulic tubing to body)	53370	Cylinder assy (luggage compartment lock)-with keys	43505
Clip (instrument board cover panel retainer)	04394	Cylinder assy (rear quarter window hydraulic)	23602
Clip (instrument panel cluster housing)	04315	Cylinder assy (seat adjuster hydraulic)	60491
Clip (instrument panel moulding)	04373	Cylinder and yoke assy (hydraulic top lift)	50598
Clip (luggage compartment shelf board)	45618	- D -	
Clip (quarter panel wheel cover reinforcement)	28006	Damper assy (air valve)	01863
Clip (radio opening cover retainer)	04416	Door assy (front)-less paint, trim, glass, handles, hinges, lock and regulator	20122-3
		Door assy (glove compartment)	06024

Alphabetical Index

PART NAME	GROUP NO.	PART NAME	GROUP NO.
Door assy (luggage compartment)-with lock	40110	Folding top front side rail hinge and link assy	53008-9
Door assy (luggage compartment)-without lock	40112	Folding top header bow weatherstrip retainer	51152
Door assy (rear)-less paint, trim, glass, handles, hinges, lock and regulator	24622-3	Folding top header finish moulding	53214
Dowel (folding top No. 1 bow)	03458-9	Folding top hydraulic cylinder and yoke assy	50598
Dowel (folding top No. 1 bow)-center	03442	Folding top locking handle	03570
- E -		Folding top lower power link	50418-9
Element assy (cigar lighter)	04616	Folding top No. 1 bow center dowel	03442
Emblem (front seat back ash receptacle case)	62881	Folding top No. 1 bow dowel	03458-9
Emblem (luggage compartment door handle keyhole cover assy)	43514	Folding top No. 3 bow, mounting bracket and rear side rail hinge service kit	50105
Escutcheon assy (door inside handle and window regulator handle)	22618	Folding top No. 1 link	50432-3
Escutcheon (hydraulic seat regulator)	24230	Folding top pillar hinge	24324-5
Escutcheon assy (vent window regulator handle)	23420	Folding top pillar rail assy	53196-7
Extension (floor pan side)-rear	11250-1	Folding top rear bow moulding	53204
Extension (rear floor side)-rear	11252-3	Folding top rear bow slat iron	50340-1
Extension (windshield opening reinforcement)	03618-9	Folding top rear side rail assy-complete	51154-5
Extension assy (radio receiver support)	04429	Folding top rear side rail front hinge and link assy	53010-1
- F -		Folding top rear side rail rear hinge	53170-1
Ferrule (door lock knob)	21999	Folding top side rail control link to hinge stud	53165
Filler (luggage compartment)-tire well	45464	Folding top side rail front control link	50310
Filler (roof panel to quarter panel)	51180-1	Folding top side rail rear control link	50308
Filter (instrument control panel light)	04522	Folding top upper power link	50370
Finish strip (back window inside)	42410	Foot rest assy (front seat)-trimmed	62632
Finish strip (body center pillar upper)	24344-5	Frame (back curtain)-inside	53224
Finish strip (door window lower)	20964-5	Frame assy (back curtain glass)-outside	53220
Finish strip (front door header)	20552-3	Frame assy (door glass)-complete	22218-9
Finish strip (front door rear)	24410-1	Frame assy (door hydraulic window regulator)	23204
Finish strip (front door window)-complete	20900-1	Frame assy (front door)-upper-less division bar	22220-1
Finish strip (rear door upper)	25120-1	Frame assy (front seat)-less seat and seat back cushion	60152
Finish strip (rear door window)-complete	25500-1	Frame assy (front seat back)-trimmed	60148-9
Finish strip (quarter hinge pillar upper)	28248-9	Frame assy (front seat base)-trimmed	60335
Finish strip (quarter inside)	29010	Frame assy (hydraulic seat adjuster)	60487
Finish strip (quarter window)	29000-1	Frame assy (quarter window)	30504-5
Finish strip (quarter window)	29002-3	Frame assy (quarter window)-outer	29002-3
Finish strip (quarter window front)	29008-9	Frame assy (rear door glass)	26220-1
Finish strip (quarter window upper)	29006-7	Frame assy (rear door vent window)	26876-7
Finish strip (windshield opening)	03548	Frame assy (hydraulic quarter window regulator)	23600
Finish strip (windshield opening)	03590-1	Frame and field assy (hydraulic pump motor)	53343
Flap assy (rear seat center arm rest)	67286	Frame and glass assy (front door vent window)	21228-9
Fluid (window regulator)	19545	Frame and glass assy (quarter window)	29700-1
Folding top back curtain assy	52500	Frame and glass assy (quarter window)	30506-7
Folding top back curtain frame-inside	53224	Frame and vent window assy (quarter window)-complete	30504-5
Folding top back curtain frame assy-outside	53220	Front assy (body)	00120
Folding top back curtain glass	53200	- G -	
Folding top back curtain lower support strap & buckle	45320	Gasket (cowl side panel opening cover)	02093
Folding top back curtain strap hook	53268	Gasket (floor transmission cover plate)-front	12116
Folding top balance link	50454-5	Gasket (floor transmission cover plate)-rear	12121
Folding top balance link to body bracket nut	50404	Gasket (floor transmission cover plate)-side	12122
Folding top boot to rear seat back loop	54410	Gasket (fresh air register)	01880
Folding top compartment trim support rod spring	54637	Gasket (hot water fresh air heater)	18570
Folding top control rod knob	50579	Gasket (hydraulic pump reservoir)	53374
Folding top dust hood assy	54400	Gasket (instrument control panel reflector)	04524-5
Folding top front side rail assy	53006-7	Gear and cross tube assy (front seat)	61723
Folding top front side rail female hinge	53108-9	Gear and shaft assy (door vent window regulator)	23436
		Glass (back window)-center	42006
		Glass (back window)-center	42016
		Glass (back window)-end	42018-9
		Glass (back window)-end	42026-7
		Glass (front door vent window)	21412

Alphabetical Index

PART NAME	GROUP NO.	PART NAME	GROUP NO.
Glass (front door window)	21410	Hinge assy (rear door)-upper	26800-1
Glass (quarter vent window)	29712	Hinge and link assy (folding top front side rail)	53008-9
Glass (rear door ventilator window)	26870	Hinge and link assy (folding top rear side rail)-frt.	53010-1
Glass (rear door window)	25712	Hood assy (top dust)	54400
Glass (rear quarter window)	29710	Hook (back curtain strap)	53268
Glass (top back curtain)	53200	Hook (front seat robe cord)	62814
Glass (windshield)	03100	Hook assy (luggage compartment shelf board)	45842
Glass and channel assy (rear door window)	26224-5	Hose assy (door hydraulic window regulator)	53346
Glass & frame assy (frt. door ventilating window)	21406-7	Hose assy (hyd. pump to top control valve return)	53341
Glass and frame assy (quarter vent window)	29700-1	Hose assy (hyd. pump to top control valve supply)	53342
Glass and frame assy (rear door vent. window)	26868-9	Hose assy (hydraulic pump to tubing)	53340
Glass, channel and frame assy (door)	21400-1	Hose assy (rear door hydraulic window regulator)	53366
Glass run (quarter window)-front	30106	Housing (deck handle push button bolt slide)	43630
Glass run (quarter window)-upper	30110	Housing (instrument panel cluster)	04318
Grille assy (radio)	04432	Housing (quarter panel fuel tank filler neck)	28617
Grille (radio)-less ornament	04429	Housing assy (door check arm)	23530
Grommet (accel. kick down switch frt. floor carpet)	6930	Housing assy (hydraulic pump)	53395
Grommet (carpet at accelerator)	13026	Housing assy (quarter panel to floor pan filler neck)	27936
Grommet (hydraulic supply tubes floor)	53436		
Grommet (hydraulic supply tubes floor)	53437	- I -	
Grommet (hyd. window regulator spring hose cover)	53360		
Grommet (rear door-hydraulic window regulator cross tube to floor)	53372		
Grommet (window regulator control wires)	53355		
Guide (rear door glass run)-hinge side lower	25790		
Guide assy (quarter window)-complete	29764-5	Insert (back window weatherstrip)	42054
Gusset (luggage compartment opening lower corner)	44830-1	Insert (instrument control panel ignition switch)	04688
Gusset (quarter panel to package tray)	29428-9	Insulator (cowl upper)	02164
		Insulator (steering column to dash cover plate)	01788
- H -		Insulator assy (dash)	01670-1
		Insulator assy (dash upper)	01670
		Insulator assy (steering column opening)-dash upper	01673
Handle (door inside)	22600		
Handle (door outside)	22400	- K -	
Handle (door outside)	22404-5		
Handle (door ventilator window frame)	22916-7	Key (door ventilator window frame)	22920
Handle (fresh air duct)	01844	Key (glove box and rear deck lid)	18306
Handle (front door vent window regulator)	23410	Kit (cigar lighter element)	04603
Handle (front seat back ash receptacle)	62878	Kit-for servicing folding top-Number 3 bow, mounting bracket and rear side rail hinge	50105
Handle (front seat back robe cord)	62810-1	Knob (door locking control rod)	21850
Handle (front seat lock lever)	61795	Knob (front seat back cigar lighter)	04602
Handle (instrument panel ash receptacle door)	04830	Knob (top control rod)	50579
Handle (luggage compartment door)-complete less cylinder and keys	43500	Knob & element assy (frt. seat back cigar lighter)	04610
Handle (quarter glass frame)	5280-1		
Handle (window regulator)	23342	- L -	
Hanger (rear seat back spring)	66746		
Head and brush holder assy (hyd. pump motor)	53387	Latch assy (door vent window)	22858
Header assy (folding top No. 1 bow)	51270	Latch pin and plate assy (luggage compartment)	43246
Headlining (under back window)	42415	Lid assy (quarter panel fuel tank filler)	28611
Headlining assy (roof)	51916	Lid assy (quarter panel gas tank opening)	28610
Hinge (folding top rear side rail)-rear	53170-1	Lining assy (luggage compartment)-front	45443
Hinge (front door ventilating window)-upper	21464-7	Lining assy (luggage compartment)-side rear	45410-1
Hinge (front side rail)-female	53108-9	Lining assy (luggage compartment support brkt. cover)	45476
Hinge (pillar)-folding top	24324-5	Link (folding top balance)	50454-5
Hinge (quarter window)-on body	29948	Link (folding top No. 1)	50432-3
Hinge (quarter window frame)	29954-5	Link (folding top power)-lower	50418-9
Handle (top locking)	33570	Link (folding top power)-upper	50370
Hinge assy (front door)-lower	22810-1	Link (folding top side rail control)-front	50310
Hinge assy (front door)-upper	22800-1	Link (folding top side rail control)-rear	50308
Hinge assy (glove compartment door)	06042		
Hinge assy (luggage compartment door)	42700-1		
Hinge assy (rear door)-lower	26810-1		

Alphabetical Index

PART NAME	GROUP NO.	PART NAME	GROUP NO.
Link and vertical strainer assy (center arm rest)	67210-1	Moulding & clip assy (qtr. window reveal outer)-rear	29072-3
Lock assy (front door)	21812-3	Moulding and clip assy (rear door window panel reveal)-rear-outside	25668-9
Lock assy (glove compartment door)	06081		
Lock assy (luggage compartment door)	43200	Moulding & stud assy (frt. door panel)-lower-outside	20928-9
Lock assy (rear door)	26412-3	Moulding and stud assy (quarter side panel)-outside	29032-3
Lock cylinder and sleeve assy (door panel)-complete with key	21984-5	Moulding and stud assy (rear door panel)-lower-outside	25674-5
Lock set assy	3687-9	Moulding and weatherstrip (quarter belt)-outside	29022-3
Loop (top boot to rear seat back)	54410	Moulding & weatherstrip assy (frt. door belt)-outside	21010-1
Loop assy (assist)	31410	Moulding and weatherstrip assy (front door window panel reveal)	20984-5
- M -		Moulding and weatherstrip assy (quarter window belt)-outside	29022-3
		Moulding and weatherstrip assy (rear door window panel reveal)	25588-9
Mat (luggage compartment floor)	45456	- N -	
Member assy (floor side)	10110-1		
Member assy (front floor cross member)-rear	10698	Nut (balance link to body bracket)	50404
Member and trim retainer assy (floor side)	10118-9	- O -	
Motor and hydraulic pump assy-includes reservoir, bail, solenoid and mounting bracket	53334		
Moulding (back belt finish)	41774		
Moulding (back window division bar)-inner and outer	42292		
Moulding (back window division bar)-outside	42420-1		
Moulding (back window finish)-outside	42430		
Moulding (back window outside)-end	42430-1		
Moulding (back window outside)-upper and lower	42404	Ornament assy (instrument panel radio grille)	04490
Moulding (door arm rest)	24190-1	- P -	
Moulding (door outside)	20934-5		
Moulding (front door finish strip)-lower	21172		
Moulding (header finish)	53214		
Moulding (instrument panel trim)	04332-3	Pad (anti rattler door locking knob)	21976
Moulding (luggage compartment shelf)-center	45862	Pad (body to cross member)	00150
Moulding (luggage compartment shelf)-front	45860	Pad (center arm rest spring insulator)-lower	67265
Moulding (quarter belt)-outside	29034-5	Pad (center arm rest spring insulator)-upper	67271
Moulding (quarter panel at belt)-outside	29034-5	Pad (cowl side silencer)	02002
Moulding (quarter window finish strip)-lower	29104	Pad (door glass frame to door panel)-hinge side	21388-9
Moulding (rear belt rail)	41780	Pad (door outside handle)-large	22428
Moulding (rear bow)	53204	Pad (door outside handle)-small	22448
Moulding (rear door finish strip)	25536	Pad (floor pan)-center	11202-3
Moulding (rear door outside panel)-at belt	25554-5	Pad (floor pan)-front	11448-9
Moulding (rear quarter arm rest)	31796-9	Pad (floor transmission cover plate)	12162
Moulding (rear seat riser)-front	60653	Pad (front seat back)-lower	64810
Moulding (roof drip)	51700-1	Pad (front seat back)-upper	64816
Moulding (roof panel finish)	51734-5	Pad (front seat cushion)-lower	63206
Moulding (windshield finish)-outside	03088-9	Pad (front seat cushion)-pleated design	63242-3
Moulding assy (body center pillar finish strip)	24394	Pad (heel)-front floor carpet	13086
Moulding assy (door panel reveal)-outside	20984-5	Pad (luggage compartment door handle)	43531
Moulding assy (door window finish strip)-lower	21170-1	Pad (luggage compartment door hinge)	42770-6
Moulding assy (front door belt)	21018-9	Pad (rear seat back)-lower	66800-1
Moulding assy (front door trim panel)-lower	20956	Pad (rear seat back)-upper	66810-1
Moulding assy (front door window finish)	20954-5	Pad (rear seat cushion)-pleated design	63398-9
Moulding assy (front seat back)	60788-9	Pad (rear seat cushion spring)	63846
Moulding assy (front seat back)-lower	60798-9	Pad (transmission cover)-center	12130
Moulding assy (quarter belt)-outside	29116-7	Pad assy (front cushion)-front	63204
Moulding assy (quarter trim panel)-lower	29090	Pad assy (front cushion)-rear	63200
Moulding assy (qtr. window finish)	29084	Pad assy (front cushion)-upper	63200
Moulding assy (rear door trim panel)-lower	25558	Pad assy (front seat back)-lower	64810-1
Moulding assy (rear door window finish strip)	25590	Pad assy (rear seat back)-outer	66810-1
Moulding and clip assy (front door window panel reveal)-front-outside	20992-3		
Moulding & clip assy (qtr. window reveal outer)-front	29070-1		

Alphabetical Index

PART NAME	GROUP NO.	PART NAME	GROUP NO.
Regulator assy (rear door window)	27000-1	Retainer (windshield opening finish strip)-at belt	03572-3
Reinforcement (body lower panel to rear fender)	40440-1	Retainer (window seal at front rail section)	20520-1
Reinforcement (quarter lock pillar)-lower	28216-7	Retainer (window seal at pillar section)	29050-1
Reinforcement (rear floor pan body bolt #5)	11291	Retainer (window seal at pillar section)-lower	29118-9
Reinforcement (roof side rail)	51196-7	Retainer (window seal at pillar section)-upper	29122-3
Reinforcement (steering column to windshield frame)	03052	Retainer (window seal at rear rail section)	20526-7
Reinforcement assy (back belt flanging strip and luggage compartment)	41716	Retainer assy (back window division bar moulding)-inner	42296
Reinforcement assy (front floor pan body bolt #1)	10290-1	Retainer assy (door vent window regulator shaft)	23468
Reinforcement assy (front floor pan body bolt #2)	10292-3	Retainer assy (windshield center weatherstrip)-outer	03078
Reinforcement assy (front floor pan body bolt #3)	10602-3	Retainer and nut assy (rear door hose cover spring)	53325
Reinforcement assy (front floor pan body bolt #4)	10282-3	Riser assy (rear seat)	60648
Reinforcement assy (luggage compartment opening upper and corner)	44718-9	Robe cord assy (front seat back)	62800
Reinforcement assy (windshield opening and header)	03576	Rod (deck lid connecting)	43628
Reinforcement and plate assy (roof side rail)	51144-5	Rod (door lock safety catch)	21852-3
Reservoir (hydraulic pump)	53396	Rod (top folding compartment trim support)	54638
Rest assy (front door arm)	24140-1	Rod (visor frame locking end)	04114
Rest assy (front seat foot)-trimmed	62632	Rod assy (top control)	50570
Rest assy (rear quarter arm)	31600-1	Roll assy (front seat back top)	64804
Rest assy (rear door arm)	27540-1	Roll assy (rear seat cushion corner)	63860
Rest assy (rear seat center arm)-trimmed	67240	Rotor assy (inner and outer)-hydraulic pump	53400
Retainer (back window division bar moulding)-outer	42096	Run (door glass)-hinge side	21546-7
Retainer (back window division bar moulding)-outer	42298	Run (front door glass)-upper	21548
Retainer (back window moulding)	42426-8	Run (quarter window glass)-front	30106
Retainer (body to frame anti squeak)	00146	Run (quarter window glass)-upper	30110
Retainer (center side rail window seal)	51150-1	Run (rear door glass)-rear	25744
Retainer (cowl cardboard)	02354	Run assy (door glass)-lock side-complete	21550
Retainer (door bottom weatherstrip)-outer	20712	Run assy (door glass)-lock side-complete	21508-9
Retainer (door glass run)-lock side	21572-3	Run assy (rear door glass)-upper	25764
Retainer (door weatherstrip)	20478		
Retainer (door weatherstrip)-bottom	20488	- S -	
Retainer (folding top header bow weatherstrip)	51152	Screw (hydraulic pump bottom plate)	53408
Retainer (front body pillar weatherstrip)-upper	02594-5	Screw assy (front seat back hinge stop adj.)-lower	61114
Retainer (front side rail window seal)	51126-7	Seal (hydraulic pump bottom)	53406
Retainer (hose cover spring)	53354	Seal (outer wheelhouse to quarter panel)	27932
Retainer (hydraulic pump reservoir fluid)	53389	Seal (quarter panel wheel opening cover)	27986
Retainer (instrument control panel air control tray)	04469	Seal (top control rod to dash)	01792
Retainer (instr. control panel ign. switch insert)	04686	Seal (windshield header)-inner	03476
Retainer (instrument control panel map light tray)	04472	Seal (windshield header)-rear	03476
Retainer (instr. control panel map and light trays)	04468	Sealer (cowl panel to hood)	02074-5
Retainer (instrument control panel tray)	04476	Sealer (quarter panel fuel tank filler neck)	28615
Retainer (instrument control panel tray insert and reflector)	04649	Seat adjuster (hydraulic)	60473
Retainer (instr. control panel w/shield wiper tray)	04473	Shaft and bracket assy (quarter window handle)	30280
Retainer (instr. control panel w/shield wiper tray)	04474	Shield (instrument control panel light reflector)	04486
Retainer (luggage compartment hinge)	6865	Shield assy (front seat side)-lower-trimmed	62152-3
Retainer (quarter ash receptacle)	30714	Shield assy (quarter panel wheelhouse splash)	27720-1
Retainer (quarter lock pillar trim)	28276-7	Shim (deck lid latch plate)	44214
Retainer (quarter panel wheel cover seal)	27996-7	Shim (door lock striker plate)	22058
Retainer (quarter pillar window seal)	28278-9	Shim (door vent window frame to inside panel rear bracket extension)	22274
Retainer (quarter wheelhouse trim)	28508	Shaft (door vent window regulator extension)	23456
Retainer (quarter window weatherstrip)-front	29906	Shim (door window corner filler to inside panel attaching bracket)	20497
Retainer (quarter window weatherstrip)-front	29952	Side rail assy (folding top)-front	53006-7
Retainer (rear door bottom weatherstrip)	25312	Side rail assy (folding top)-rear-complete	51154-5
Retainer (rear quarter belt folding top)	28730-1	Silencer (cowl side panel)	02292-3
Retainer (rear seat center arm rest flap)	67296	Silencer (dash panel lower)	01786-7
Retainer (roof panel finish moulding)-corner	51759	Silencer (floor pan)	67300
Retainer (roof panel finish moulding)-center	51760	Silencer (floor pan)	11166
Retainer (roof panel finish moulding)-side	51758	Silencer (floor pan)-front	11166-7
Retainer (steering column opening sealer)	01654		
Retainer (top cloth)	51153		
Retainer (top cloth)-on quarter pillar	28266-7		
Retainer (top control rod seal to dash)	01793		
Retainer (windshield center weatherstrip)-inner	03076		

Alphabetical Index

PART NAME	GROUP NO.	PART NAME	GROUP NO.
Silencer (floor pan)-front	11172-3	Strainer assy (package tray support to floor side member)	46321
Silencer (floor pan)-rear	11454	Strainer assy (quarter hinge pillar upper reinforcement to package tray)	28142
Silencer (floor pan center)-front	11172-3	Strainer assy (windshield)-center	03040
Silencer (floor transmission cover plate)	12118	Strainer and bracket assy (package tray to floor)	46602-3
Silencer (front floor pan)	11464-5	Strainer & reinforcement assy (rear seat arm rest)-center	67212
Silencer (rear floor tunnel)	12183	Strip (back window finish)-inside	42410
Silencer (roof panel)	54306	Strip (door vent window glass retaining)	21478
Silencer (transmission cover)-center	12184	Strip (front door finish)-rear	24410-1
Silencer (transmission cover)-front	12182	Strip (front door glass retaining)	21424
Silencer (transmission cover)-rear	12163	Strip (front door header finish)	20552-3
Slat iron (folding top rear bow)	50340-1	Strip (instrument panel glass retaining)	04325
Solenoid (hydraulic pump motor)	53380	Strip (instrument panel glass retaining)	04330
Spacer (body to frame)	11520	Strip (quarter finish)-inside	29010
Spacer (body to frame)	12298	Strip (quarter hinge pillar upper finish)	28248-9
Spacer (body to frame)	12320	Strip (quarter vent window glass retaining)	30224
Spacer (body to frame)	12324	Strip (quarter window finish)-front	29008-9
Spacer (body to frame at seat track)	00154	Strip (quarter window finish)-upper	29006-7
Spacer (body to frame Kick up)	12296-8	Strip (rear door finish)-upper	25120-1
Spacer (body to frame)-front	12320	Strip (rear door glass retaining)	25724
Spacer (body to frame)-rear	12298	Strip (rear door vent window glass retaining)	26875
Spacer (body to frame)-No. 1 body bolt	01740	Strip (rear door window retainer)	25724
Spacer (center arm rest strainer to rear seat frame support)	66742	Strip (roof headlining retaining)	50952-3
Spacer (dash to frame brace)	01736	Strip (roof headlining retaining)-front	50952-3
Spacer (floor pan to frame)	11184	Strip (roof headlining retaining)-rear	50956-7
Spacer (top operating cylinder to floor bracket)	50606	Strip (roof headlining retainer)-rear lower	50960-1
Spring (deck lid button connector)	43626	Strip (windshield opening finish)	03590-1
Spring (deck lid lock bolt)	43632	Strip assy (body center pillar finish)-upper	24344-5
Spring (door ventilator window handle)	22986	Strip assy (door window finish)-lower	20964-5
Spring (door window regulator balance)	23318	Strip assy (front door window finish)-complete	20900-1
Spring (front door ventilator window pivot)	22926	Strip assy (quarter window finish)	29002-3
Spring (front door window reg. arm stud retaining)	23257	Strip assy (quarter window finish)	29000-1
Spring (front seat adjustment tension)-front	63234	Strip assy (rear door window finish)-complete	25500-1
Spring (hydraulic electric switch)-locking	23604	Strip assy (windshield opening finish)	03548
Spring (hydraulic pump rotor)	53407	Strip and weatherstrip (quarter window finish)	29000-1
Spring (hydraulic pump valve)	53412	Stud (hydraulic pump motor frame & field assy)	53377
Spring (hydraulic rear door window lift hose cover)	27336	Stud (side rail control link to hinge)	53165
Spring (hydraulic seat adjuster)	60493	Support (door hydraulic window regulator)	24248
Spring (hydraulic window mounting stud)	24193	Support (door hydraulic window reg. side rail)-upper	23312
Spring (hydraulic window operating)-inner	53330	Support (luggage compartment door lock)	43249
Spring (hydraulic window operating)-outer	53329	Support (luggage compartment shelf board)-side front	45858
Spring (hydraulic window reg. hose and wire cover)	24258	Support (luggage compartment shelf board)-side rear	44888
Spring (instrument panel ash receptacle door)	04856	Support (quarter window regulator)	27958-9
Spring (luggage compt. door handle keyhole cover)	43245	Support (rear door hydraulic window regulator inside rail)-upper	27338
Spring (luggage compartment door support arm)	44236	Support (rear quarter trim)	27888-9
Spring (quarter window hydraulic operating)	23603	Support (roof headlining)	52101-6
Spring (top folding compartment trim support rod)	54637	Support assy (door glass run)-lower	21538
Stop (center arm rest)	67228	Support assy (front door vent window front and rear frame bracket)-lower	23050
Stop (door glass)-on inner panel	23494	Support assy (front seat back)	60414
Stop (front seat foot rest)	62621	Support assy (luggage compartment board front)	45852
Stop (quarter glass frame pivot)	30552	Support assy (luggage compartment hinge)	44808
Stop (quarter vent window pivot)	30226	Support assy (qtr. belt rail & top joint lower brkt.)	28726-7
Stop assy (glass frame assy)-front	22300	Support assy (rear bow to wheelhouse)	52992-3
Strap (front seat back cushion button)	63518	Support assy (rear seat back frame)	62332
Strap (hydraulic pump motor ground)	53379	Support assy (top mounting brkt. on qtr. wheelhouse)	53128-9
Strap (motor and hydraulic pump to solenoid)	53386	Support and bracket assy (dome lamp mounting)	51486
Strap (rear seat back and center arm rest button)	67266	Support and ret. assy (hyd. window reg. arm roller)	23308
Strap assy (back curtain support)-upper	53264	Support and ret. assy (hyd. window reg. arm roller)	23382
Strap assy (tire compartment cover)	47126	Switch assy (hydraulic seat regulator control)	24206
Strap & buckle assy (back curtain support)-lower	45320	Switch (hydraulic window regulator control)	24206
Strainer (back belt flanging strip center to w/house)	44640	Switch and housing assy (hydraulic window regulator)	23302-3
Strainer (package tray to floor)	46610-1		
Strainer (quarter window to package tray)	46568-9		
Strainer assy (package tray to floor)	46574-5		

Alphabetical Index

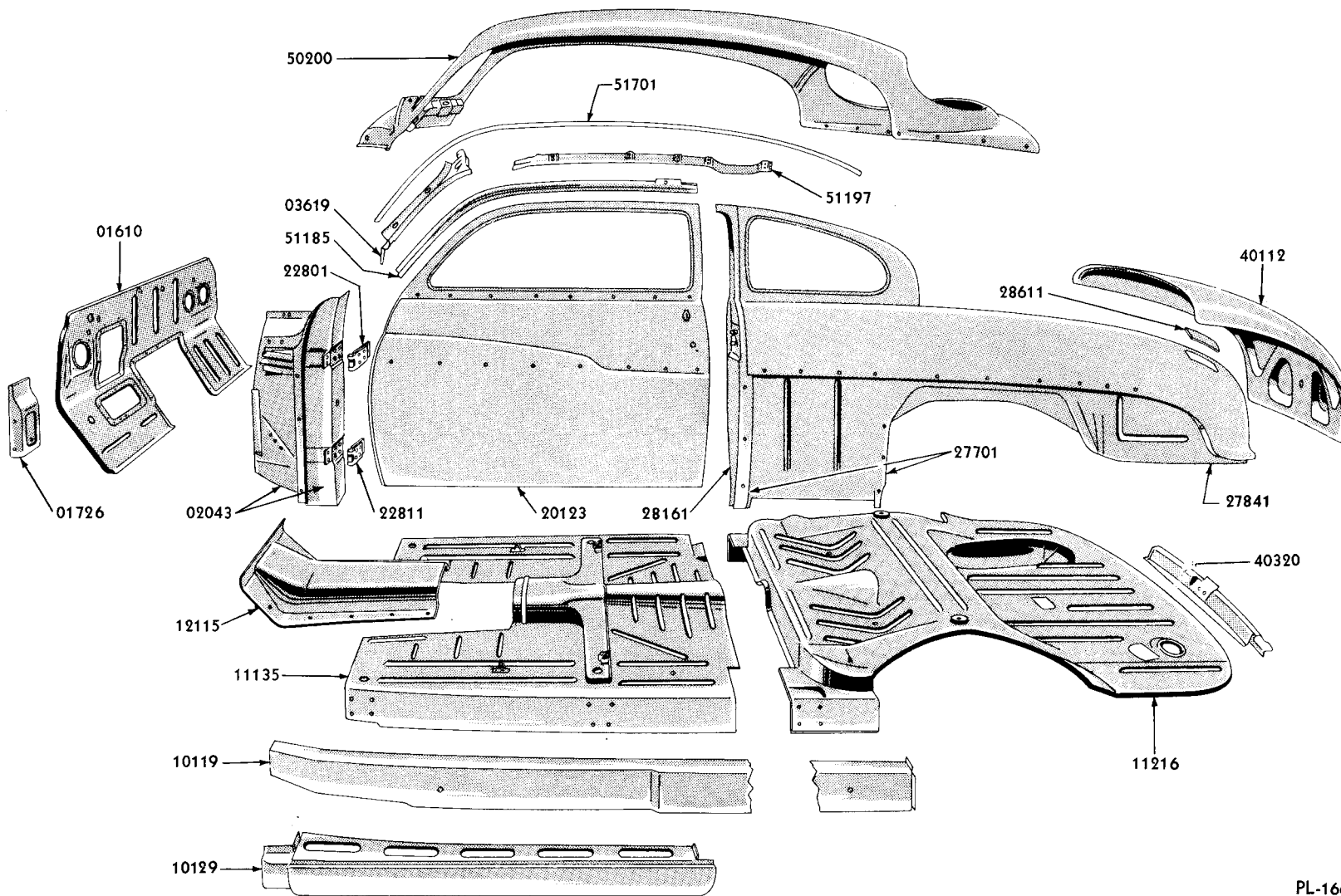
PART NAME	GROUP NO.	PART NAME	GROUP NO.
- T -			
Top assy-complete-trimmed including back curtain	50100	Washer (hydraulic pump motor armature shaft)-lower	53353
Top assy (folding)-less trim	53000	Washer (hydraulic pump motor armature shaft)-upper	53352
Top deck and quarter assy (folding top)	52700	Washer (window regulator arm attaching bracket)	23259
Tray assy (instrument control panel)	04658	Weather seal (dash panel pedal opening)	12138
Tray assy (instrument control panel)	04694	Weather seal (steering column to dash cover)	12156
Tray assy (instrument control panel lighter)	04602	Weatherstrip (back window)	42082
Tray and element assy (cigar lighter)	04610	Weatherstrip (back window opening)	42084
Trim assy (body center pillar)	24446	Weatherstrip (door bottom)	20394-5
Trim assy (body center pillar)-lower	24446	Weatherstrip (door glass channel)-lower	21510
Trim assy (front door panel)	23868-9	Weatherstrip (door glass channel)-upper	21444
Trim assy (package tray)	46668	Weatherstrip (door hinge pillar)	20530-1
Trim assy (quarter folding compartment side)	32400-1	Weatherstrip (door hinge side and header)	20530-1
Trim assy (quarter hinge pillar)	31230-1	Weatherstrip (door lock pillar)	20542-3
Trim assy (quarter lock pillar)	31224-5	Weatherstrip (door lock side)	20542-3
Trim assy (quarter lock pillar)	31230	Weatherstrip (door opening)-outer	20530-1
Trim assy (rear door)	27406-7	Weatherstrip (door vent window division bar)	21450
Trim assy (rear quarter)	31000-1	Weatherstrip (door vent window division bar)	21546
Trim assy (rear quarter courtesy lamp)	31038-9	Weatherstrip (door vent window frame)-rear	21454
Trim assy (rear quarter panel)-less arm rest	31002-3	Weatherstrip (door vent window front lower corner)	23038-9
Trim assy (side cowl panel)	02348-9	Weatherstrip (door window glass)	21452
Tube assy (extension tube to hose)	53426-7	Weatherstrip (door window opening)	21452-3
Tube assy (front door hydraulic window regulator)	53344-5	Weatherstrip (folding top bow No. 1)	51128
Tube assy (front door window regulator)	53350-1	Weatherstrip (folding top front bow)	51330
Tube assy (front seat hydraulic regulator)	53394	Weatherstrip (folding top side roof rail)-center	51554
Tube assy (rear door and quarter hyd. supply)-front	53362	Weatherstrip (folding top side roof rail)-front	51562-3
Tube assy (rear door and quarter supply)-rear	53359	Weatherstrip (folding top side roof rail)-rear	51566-7
Tube assy (rear door hydraulic window regulator)	53368-9	Weatherstrip (front body pillar)-upper	02626-7
Tube assy (rear quarter hydraulic supply)-front	53362	Weatherstrip (front and rear door lock pillar)	20496
Tube assy (rear quarter supply)	53359	Weatherstrip (front door bottom)-inner	20708
Tube assy (rear qtr. hyd. window regulator cross)	53364-5	Weatherstrip (front door bottom)-outer	20706
Tube assy (top cylinder supply)-lower	53363	Weatherstrip (front door glass channel)	21510
Tube assy (top cylinder supply)-upper	53361	Weatherstrip (front door glass header)	21544
Tube assy (top hydraulic cylinder rear cross)-lower	53392-3	Weatherstrip (front door hinge pillar)-lower	20448
Tube assy (top hydraulic cylinder rear cross)-upper	53390-1	Weatherstrip (front door hinge pillar)-lower	20456
Tube and bolt assy (deck lid)	43620	Weatherstrip (front door hinge pillar and lock pillar)-lower	20456
- V -			
Valance assy (top back curtain)	52512	Weatherstrip (front door lock pillar)-lower	20548-9
Valve (hydraulic pump)	53410	Weatherstrip (front door opening header)	20532
Valve assy (fresh air duct)	01850-1	Weatherstrip (front door vent window)	21448-9
Valve assy (top operating control)	50738	Weatherstrip (front door vent window)	21460-1
Ventilating window and finish strip assy (front door)-complete	21402-3	Weatherstrip (frt. door vent window seat at belt)	21487
Visor assy	04106	Weatherstrip (front door window glass)-inner	21438
Visor assy (complete)	04100-1	Weatherstrip (front door window glass)-outer	21436-7
- W -			
Washer (anti squeak)	0045	Weatherstrip (luggage compartment door)	43720
Washer (door ventilator window pivot)	22982	Weatherstrip (luggage compartment door)-bottom	43728
Washer (front door ventilator window pivot friction)	22963	Weatherstrip (luggage compartment door)-top & sides	43724
Washer (hydraulic pump)	53411	Weatherstrip (qtr. hinge pillar door opening)-upper	28274
		Weatherstrip (quarter panel wheelhouse shield)-inner	27724
		Weatherstrip (quarter panel wheelhouse shield)-outer	27725
		Weatherstrip (quarter vent window)	29904-5
		Weatherstrip (quarter vent window)	30248-9
		Weatherstrip (quarter window)-inner	29910
		Weatherstrip (quarter window belt)	29908-9
		Weatherstrip (quarter window frame)	29214-5
		Weatherstrip (quarter window front)	30146-7
		Weatherstrip (quarter window front lower corner)	29746
		Weatherstrip (quarter window glass bottom)	29070
		Weatherstrip (quarter window glass)-outer	29908-9
		Weatherstrip (quarter window glass retainer)	29762
		Weatherstrip (quarter window glass)-upper	30618
		Weatherstrip (quarter window guide)	29750-1
		Weatherstrip (rear door belt)	25852-3
		Weatherstrip (rear door bottom)	25306
		Weatherstrip (rear door bottom)	25104-5
		Weatherstrip (rear door bottom)-inner	25306

Alphabetical Index

PART NAME	GROUP NO.	PART NAME	GROUP NO.
Weatherstrip (rear door glass channel)	26258	Windlace and reinforcement assy (front body pillar and door opening)	02600-1
Weatherstrip (rear door glass header)	25856	Winilace and reinforcement assy (quarter lock pillar)	31296-7
Weatherstrip (rear door hinge pillar)-lower	25332-3	Windlace and reinforcement assy (quarter lock pillar)	31306
Weatherstrip (rear door hinge side and header)	25324-5	Windlace and reinforcement assy (rear quarter hinge pillar)	31306
Weatherstrip (rear door lock pillar)-lower	25308	Window regulator hydraulic fluid	19545
Weatherstrip (rear door opening)-outer	25324-5	Window assy (front door ventilating)-complete	21402-3
Weatherstrip (rear door opening header)	25110	Window and finish strip assy (quarter)-complete	29700-1
Weatherstrip (rear door vent window)	26894-5	Window & finish strip assy (rear door vent.)-complete	26866-7
Weatherstrip (rear door window finish moulding)	25854	Window and frame assy (quarter)-complete	30504-5
Weatherstrip (steering column dash cover plate)	12156	Wire on binding (roof rail)	52320
Weatherstrip (windshield)	03110	Worm (door vent window regulator)	23460
Weatherstrip (windshield)	03115		
Welt assy (back belt rail)	41786		
Welt and carboard assy (front door window finish)	20724-5		
Welt and cardboard assy (rear door window finish)	24754-5		
Windlace assy (front body pillar)	02610	--Y--	
Windlace assy (front door opening outer)	20538		
Windlace assy (quarter lock pillar)	02610		
Winilace assy (rear door header)	27518	Yoke (top operating cylinder)	50774
Windlace assy (rear door opening)-outer	25116		
Windlace assy (rear quarter window)	30182		
Windlace and cord assy (rear door opening)	27542-3		
Windlace and cover assy (front body pillar)	02606-7	--Z--	
Windlace and reinforcement assy (body center pillar)	24538		
Windlace and reinforcement assy (front body pillar)	02606-7	Zipper assy (top back curtain)	53250

Lincoln and Lincoln Compohtitan

BODY PARTS CATALOGUE



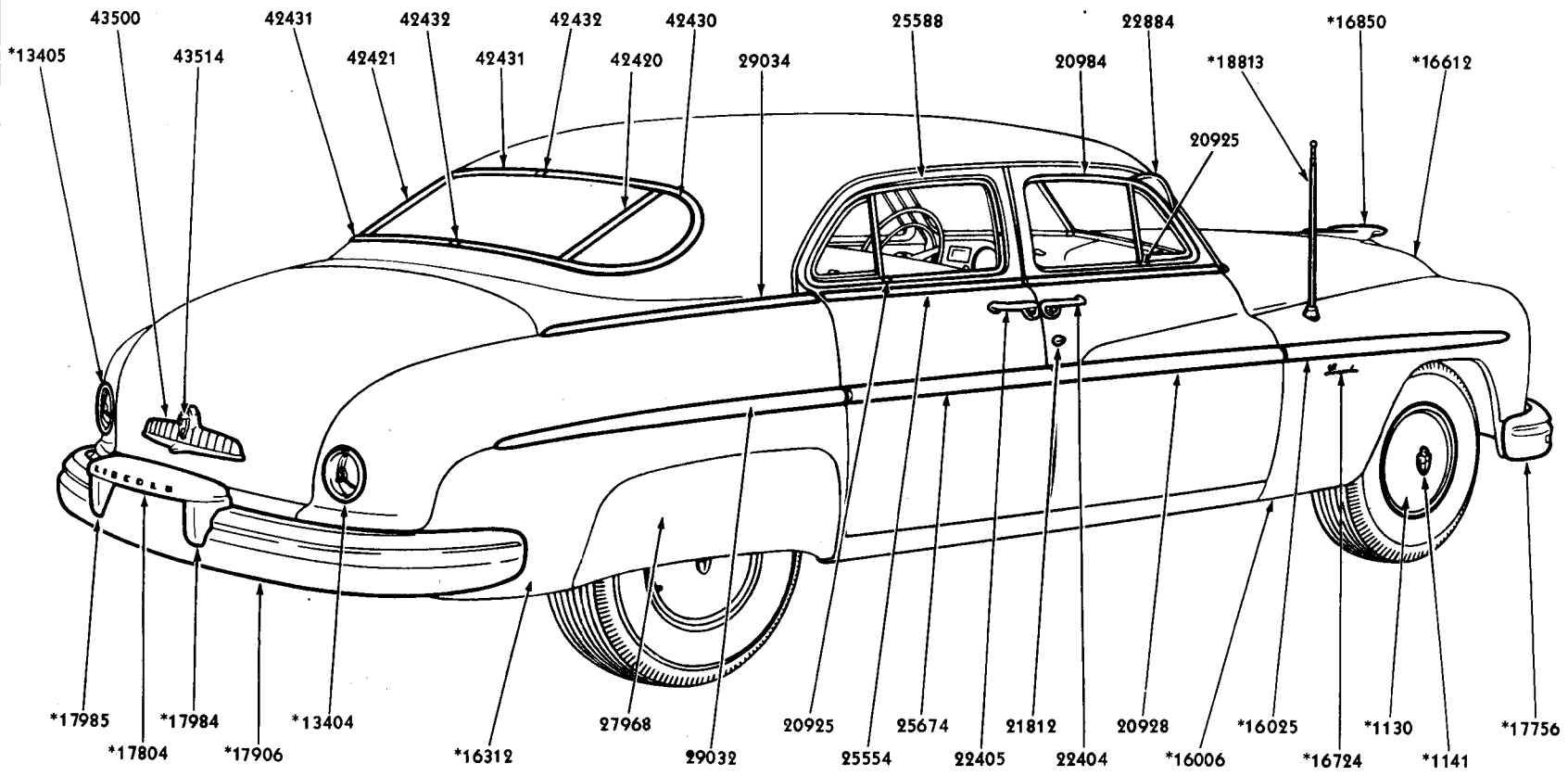
PL-166

LINCOLN SIX PASSENGER COUPE (BODY TYPE 72)

Group numbers only shown on illustration. Order by Part Numbers shown in list of parts.

Lincoln and Lincoln Corporation

BODY PARTS CATALOGUE

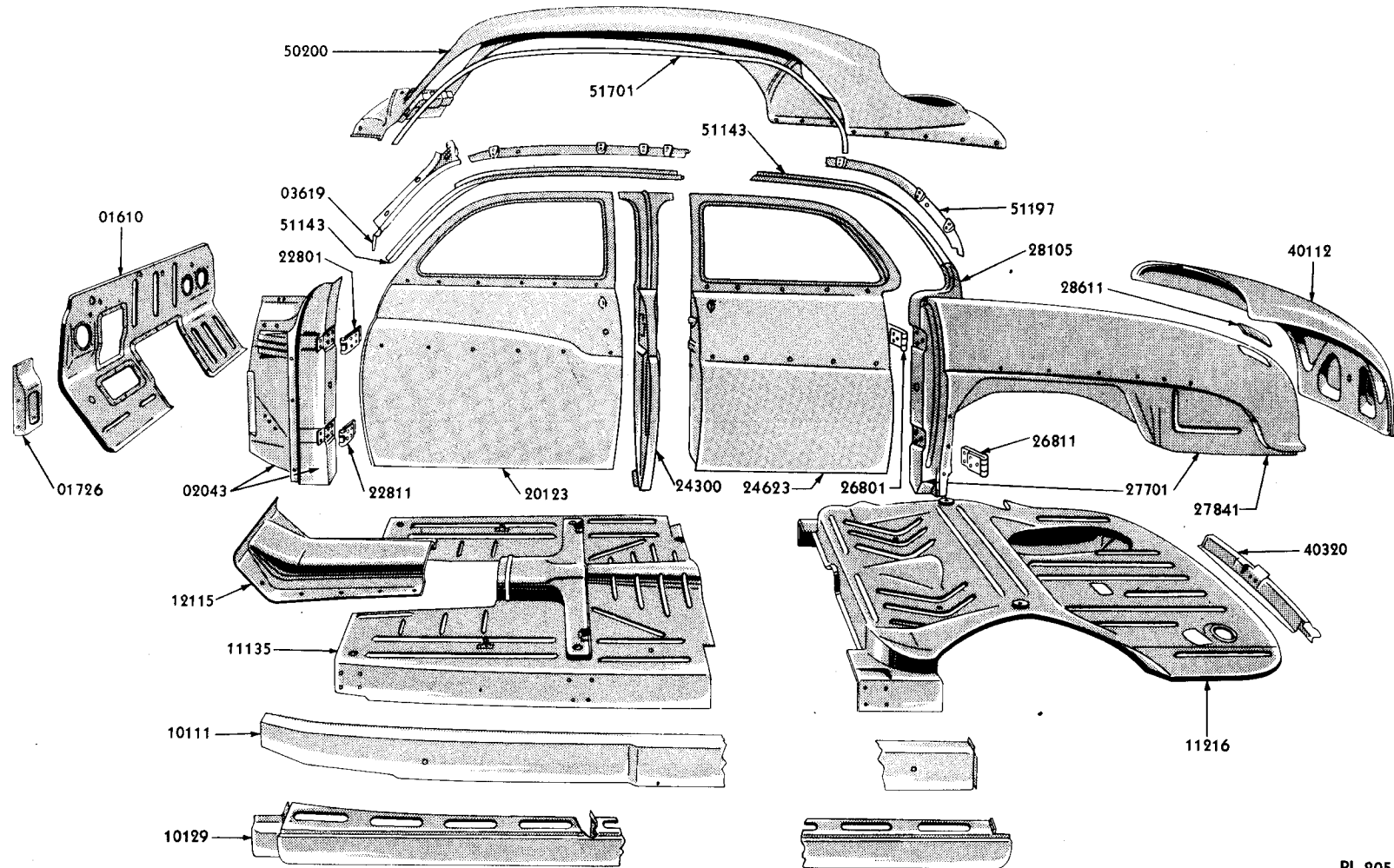


*FOR ADDITIONAL INFORMATION REFER TO CHASSIS PARTS LIST

PL-250

LINCOLN SPORT SEDAN EXTERIOR VIEW (BODY TYPE 74)

Group numbers only shown on illustration. Order by Part Numbers shown in list of parts.

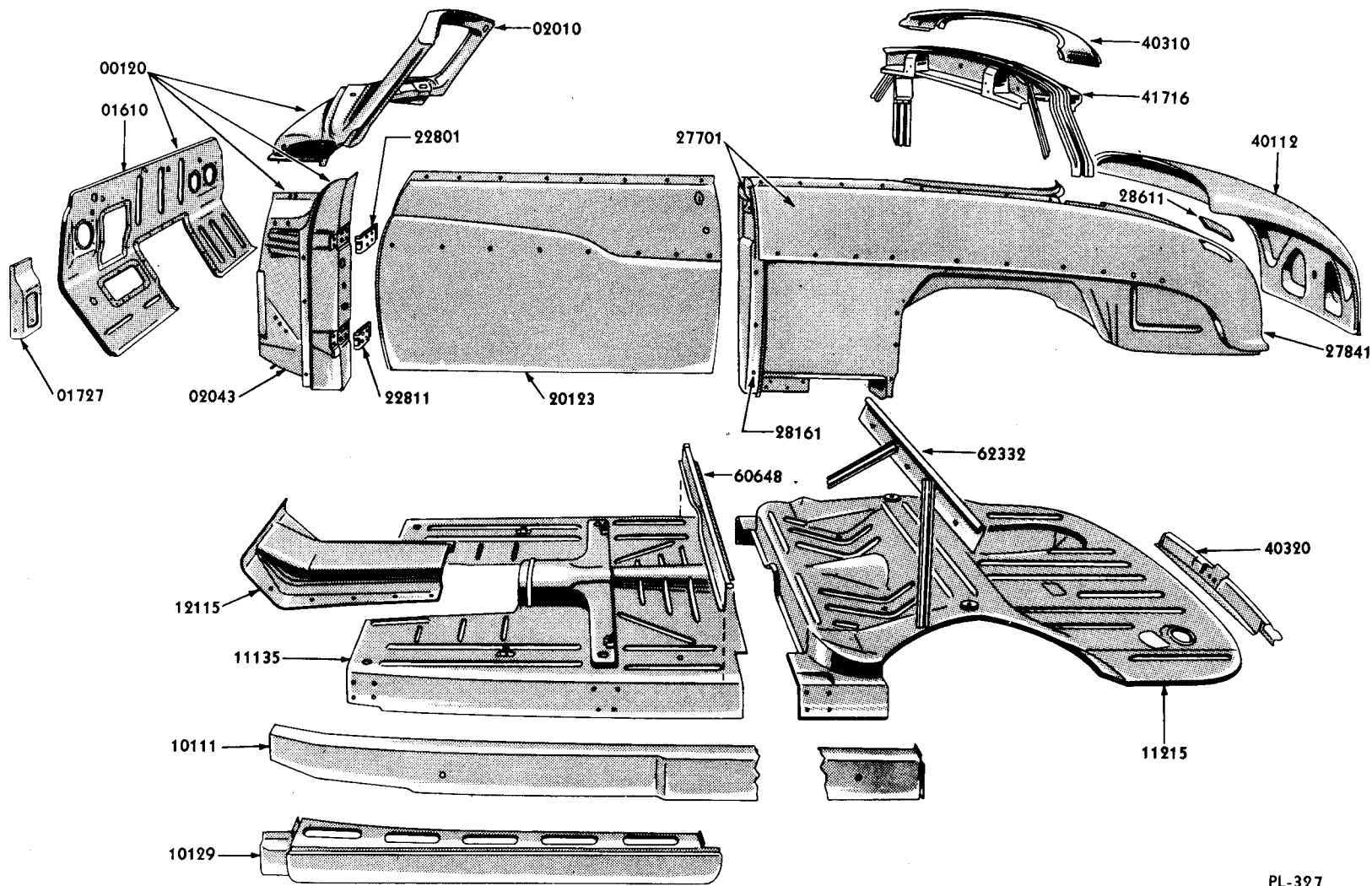


PL-205

LINCOLN SPORT SEDAN (BODY TYPE 74)
Group numbers only shown on illustration. Order by Part Numbers shown in list of parts.

Lincoln and Lincoln Corporation

BODY PARTS CATALOGUE



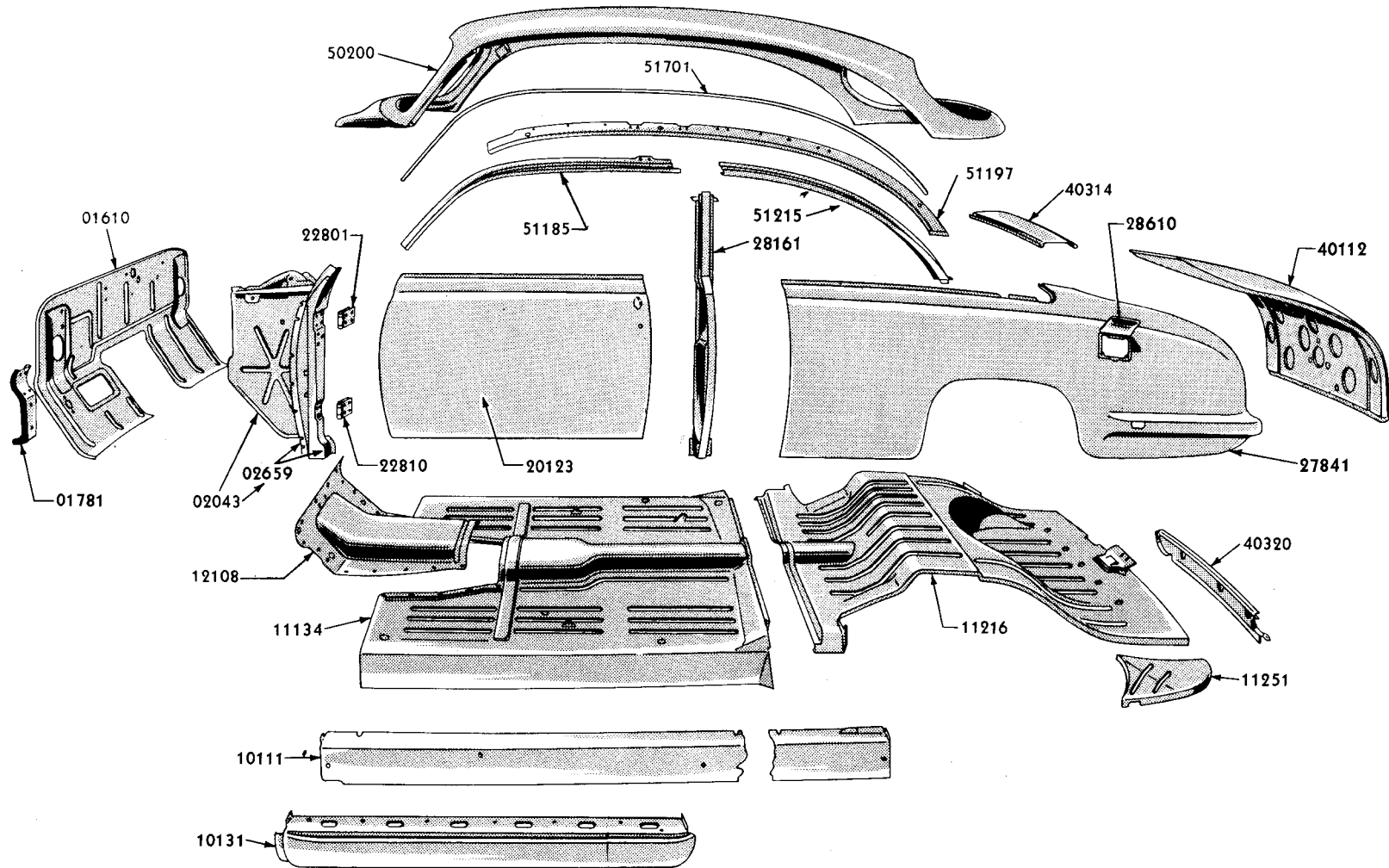
PL-327

LINCOLN SIX PASSENGER CONVERTIBLE COUPE (BODY TYPE 76)

Group numbers only shown on illustration. Order by Part Numbers shown in list of parts.

Lincoln and Lincoln Cosmopolitan

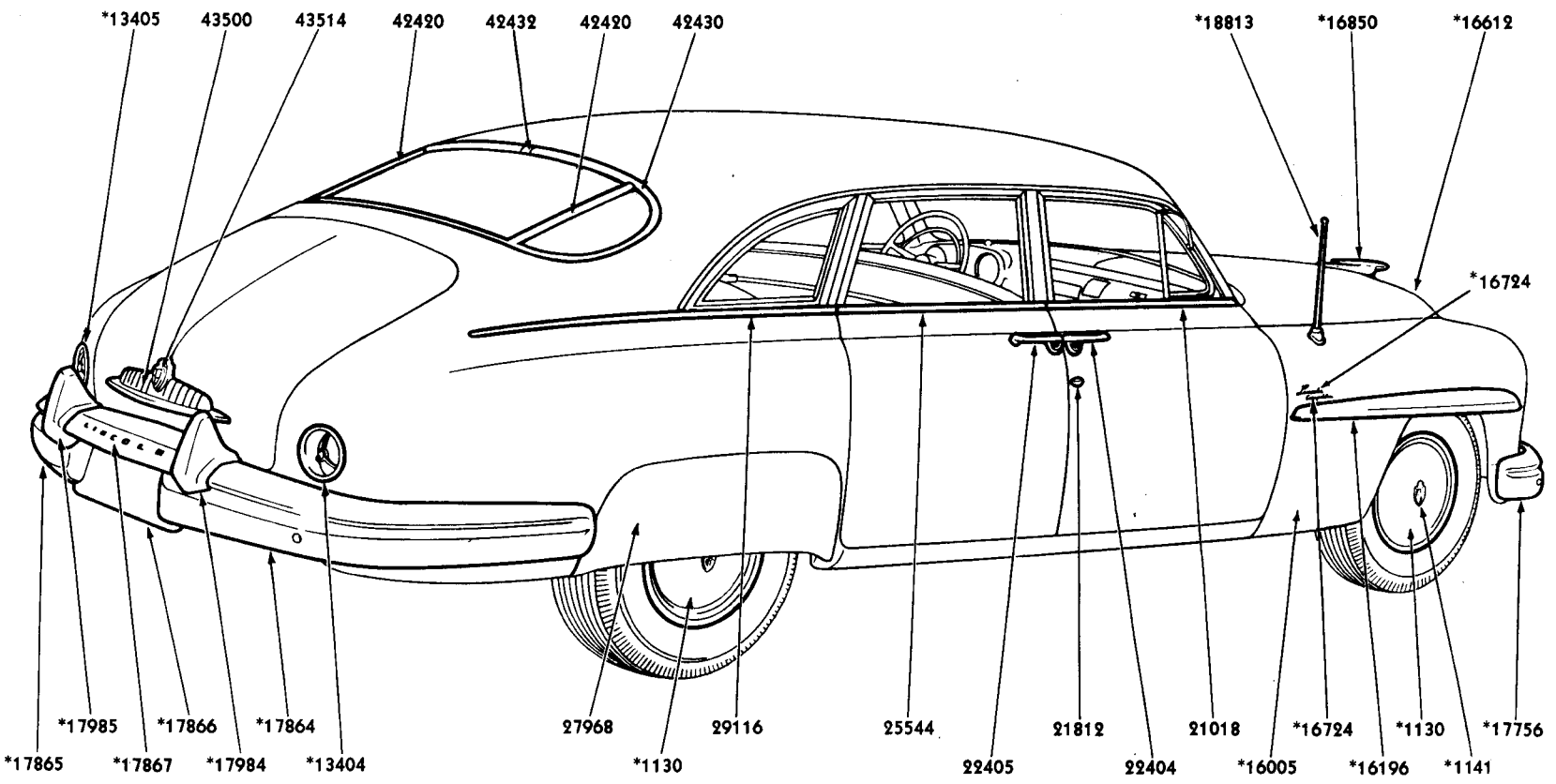
BODY PARTS CATALOGUE



PL-206

LINCOLN COSMOPOLITAN SIX PASSENGER COUPE (BODY TYPE 72)

Group numbers only shown on illustration. Order by Part Numbers shown in list of parts.



*FOR ADDITIONAL INFORMATION REFER TO CHASSIS PARTS LIST

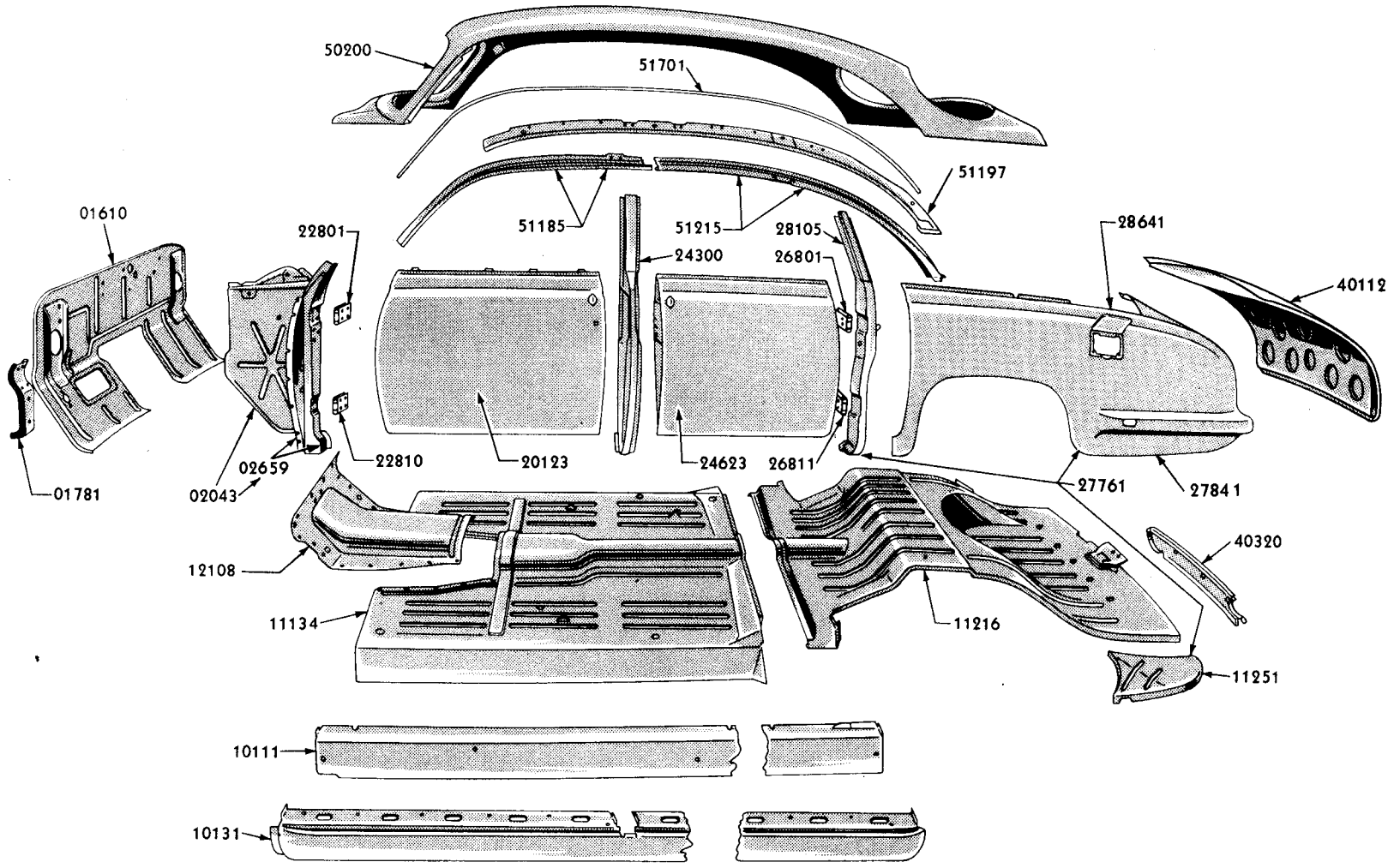
PL-249

LINCOLN COSMOPOLITAN TOWN SEDAN EXTERIOR VIEW (BODY TYPE 73)

Group numbers only shown on illustration. Order by Part Numbers shown in list of parts.

Lincoln and Lincoln Cosmopolitan

BODY PARTS CATALOGUE

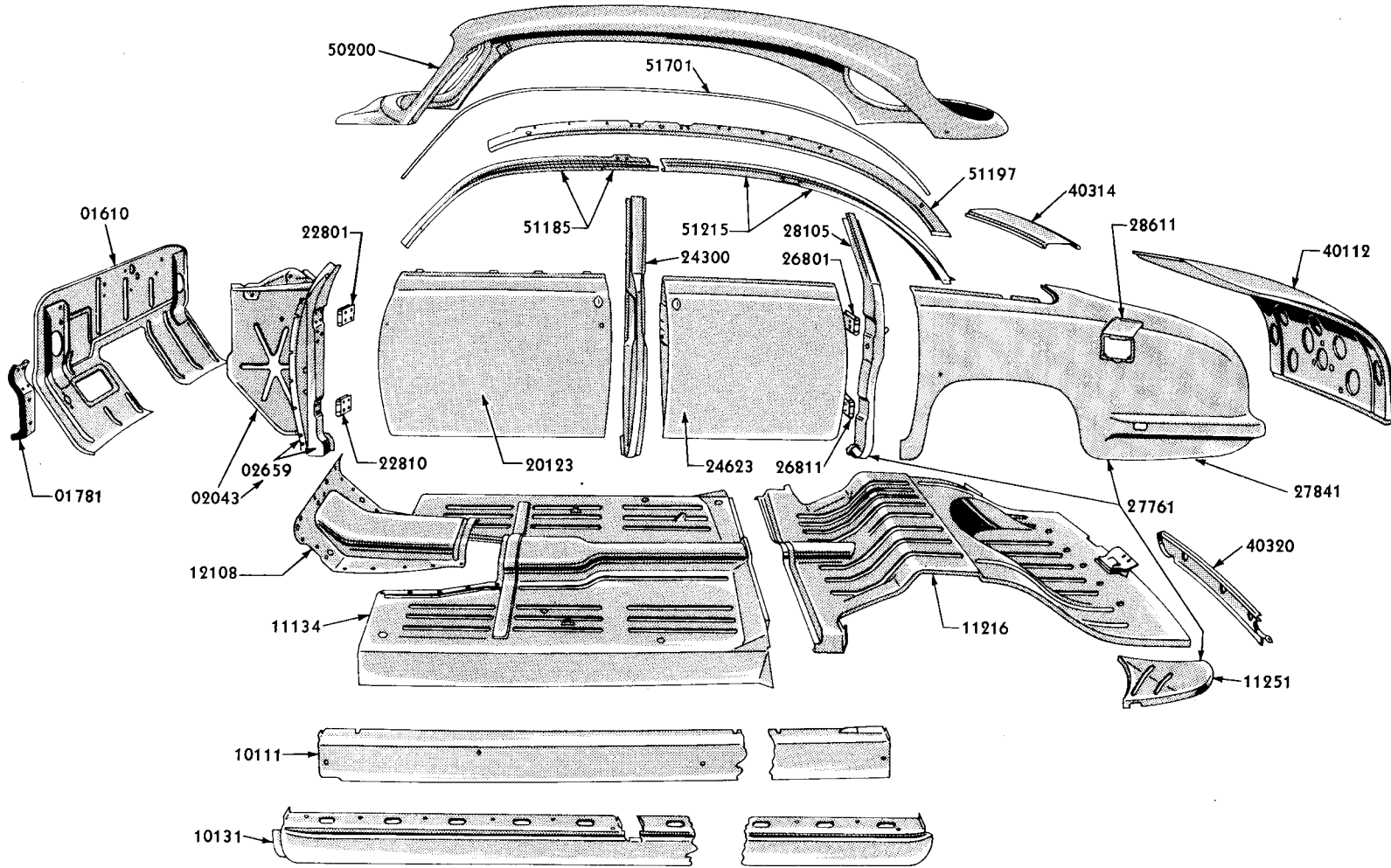


PL-207

LINCOLN COSMOPOLITAN TOWN SEDAN (BODY TYPE 73)

Group numbers only shown on illustration. Order by Part Numbers shown in list of parts.

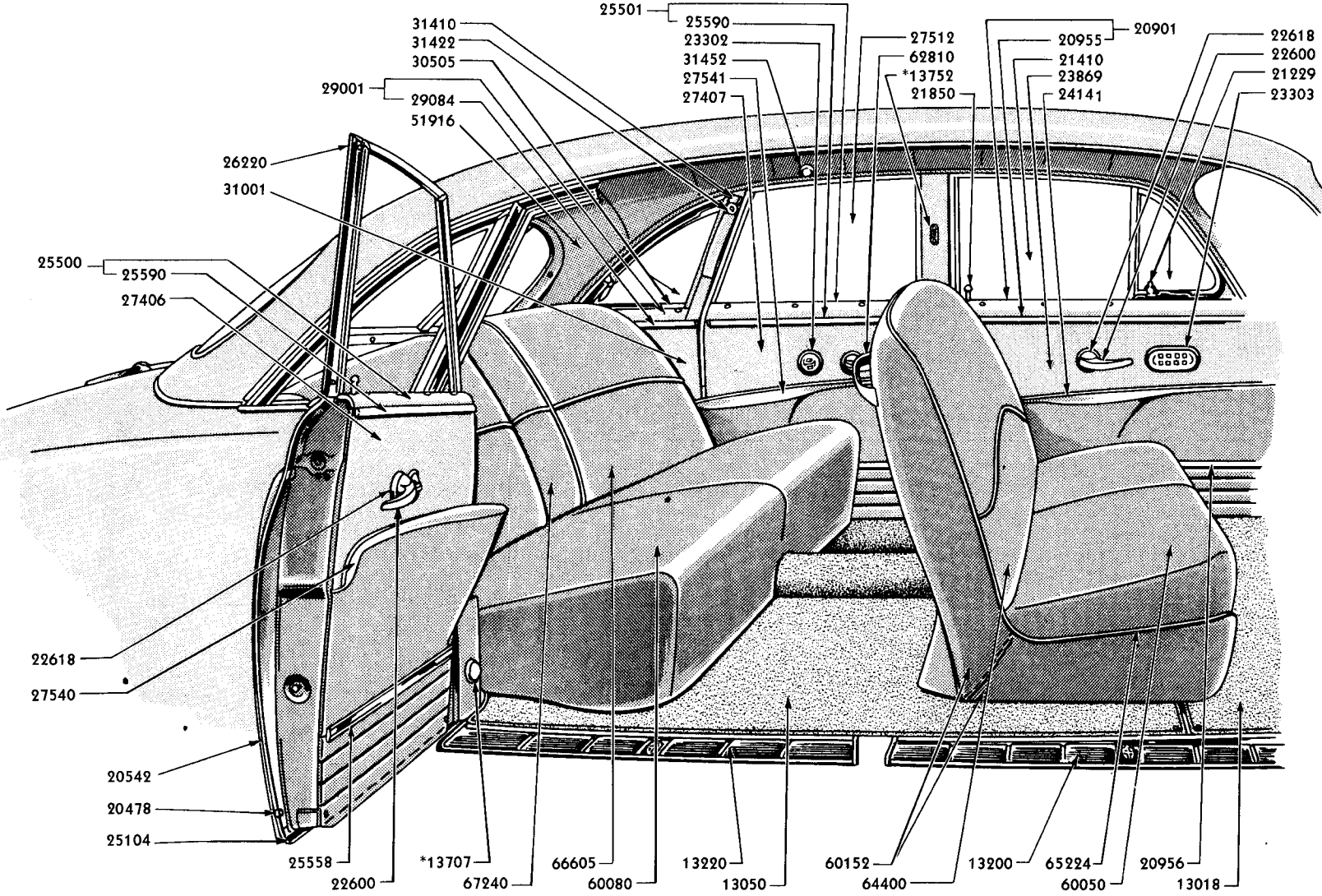
BODY PARTS CATALOGUE
Lincoln and Lincoln Cosmopolitan



PL-208

LINCOLN COSMOPOLITAN SPORT SEDAN (BODY TYPE 74)

Group numbers only shown on illustration. Order by Part Numbers shown in list of parts.



*FOR ADDITIONAL INFORMATION REFER TO CHASSIS PARTS LIST

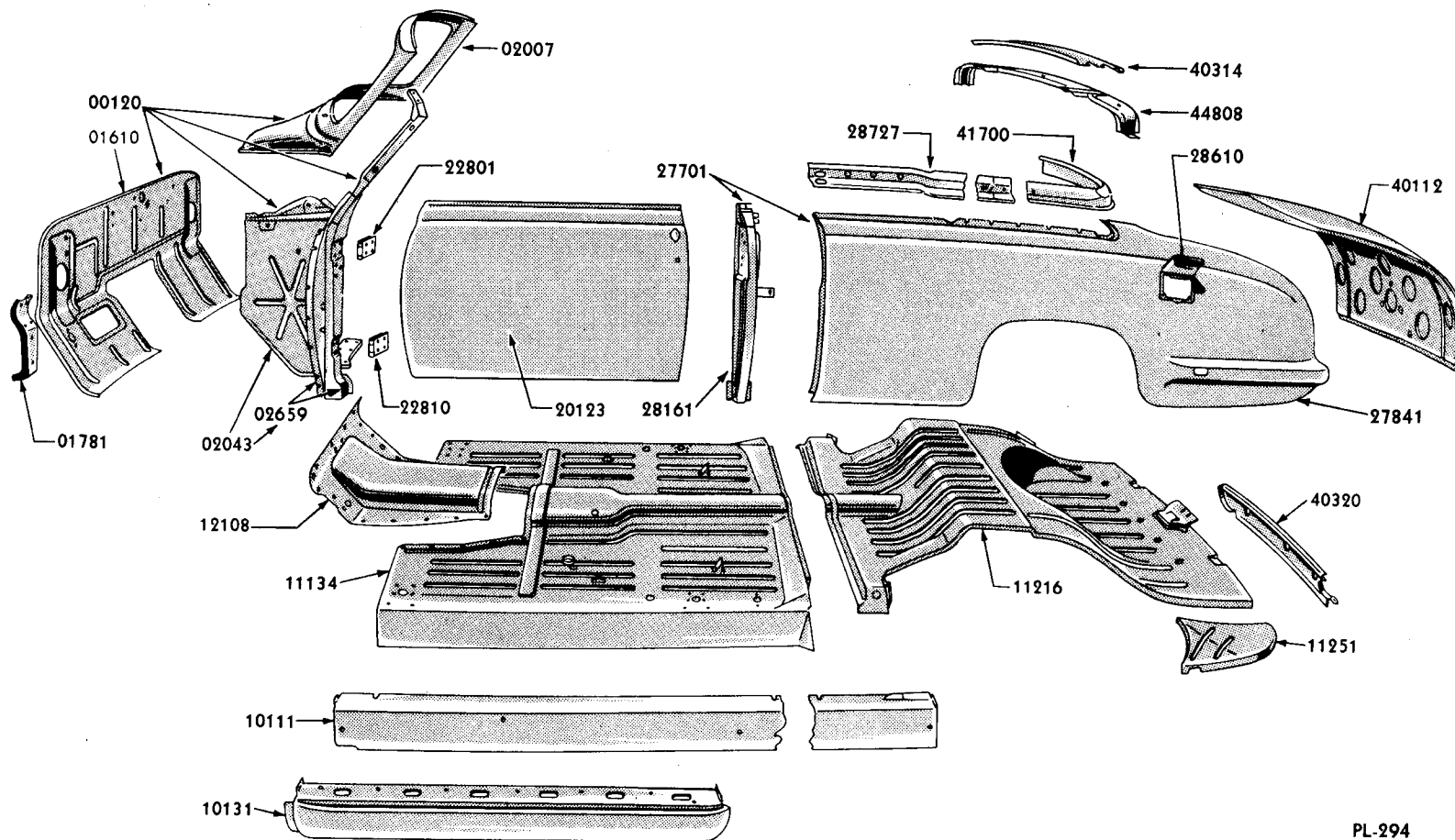
PL-326

LINCOLN COSMOPOLITAN SPORT SEDAN INTERIOR VIEW (BODY TYPE 74)

Group numbers only shown on illustration. Order by Part Numbers shown in list of parts.

Lincoln and Lincoln Cosmopolitan

BODY PARTS CATALOGUE



PL-294

LINCOLN COSMOPOLITAN SIX PASSENGER CONVERTIBLE COUPE (BODY TYPE 76)

Group numbers only shown on illustration. Order by Part Numbers shown in list of parts.

Lincoln and Lincoln Cosmopolitan

BODY PARTS CATALOGUE

YEAR 19	BODY TYPES	REMARKS	PART NUMBER	NO. REQ'D
Group 0045 WASHER (ANTI SQUEAK)				
49	9L,9H	Rubber	78 700045-A	2
Group 0546 BUMPER (COWL SIDE PANEL TO HOOD)				
49	9L,9H		40 700546-A	1or2
Group 1338 ANTI SQUEAK (EXT. REINF. FRONT BODY PILLAR UPPER HINGE TO HINGE SUPPORT)				
49	9L	1-1/2" long-replaced by M-17771-B	78 701338	20
49	9H	1-1/2" long-replaced by M-17771-B	78 701338	14
Group 2790 PIN (FRONT AND REAR DOOR REGULATOR HANDLE TO SHAFT)				
49	9L	5/8" long	48 702790	8to10
49	9H	5/8" long	48 702790	2
Group 3687-9 LOCK SET ASSEMBLY				
49	9L	Consists of ignition lock cylinder with keys and door lock cylinders and sleeve	8L 3687-A	1
49	9H	Consists of ignition lock cylinder with keys and door lock cylinders and sleeve	8H 3687-A	1
49	9L	Consists of glove compartment lock assy with keys and rear deck lock cylinder	8L 3689-A	1
49	9H	Consists of glove compartment lock assy with keys and rear deck lock cylinder	8H 3689-A	1
Group 5280-1 HANDLE (QUARTER GLASS FRAME)				
49	9L72,9H except 76	R.H.	78 735280	1
49	9L72,9H except 76	L.H.	78 735281	1
49	9L72,9H except 76	Pin (groove)-3/32" x .50"	352471-S7	2
49	9L72,9H except 76	Washer (spring)-5/16"	356361-S7	1
Group 6865 RETAINER (LUGGAGE COMPARTMENT HINGE)				
49	9H except 73		78 706865	8
Group 6930 GROMMET (ACCELERATOR KICK DOWN SWITCH FRONT FLOOR CARPET)				
49	9L,9H	Clinch No. 5 male	16H 6930	1
49	9L,9H	Clinch No. 5 female	16H 6931	1
Group 00120 FRONT ASSEMBLY (BODY)				
49	9L76		8M 7600120-B	1
49	9H76	without silencer	8H 7600120-A	1
49	9H76	with silencer	8H 7600120-B	1
49	9H76	Bolt (hex head)-5/16"-18 x 1/2"	20310-S	2
49	9H76	Bolt (hex head)-5/16"-18 x 3/4"	24366-S7	4
49	9H76	Lockwasher-5/16"	34806-S2	10
49	9H76	Lockwasher-5/16"	34826-S7	10
49	9H76	Nut (hex)-5/16"-18	33797-S7	8
49	9H76	Screw (flat head)-5/16"-18 x 3/4"	24666-S8	2
49	9H76	Screw (fillister head machine)-5/16"-18 x 1"	24698-S2	4

Lincoln and Lincoln Cosmopolitan

BODY PARTS CATALOGUE

YEAR 19	BODY TYPES	REMARKS	PART NUMBER	NO. REQ'D
Group 00146 RETAINER (BODY TO FRAME ANTI-SQUEAK)				
49	9H except 76	1-13/16" O.D.	7EH 7300146	6
Group 00150 PAD (BODY TO CROSS MEMBER)				
49	9L	Rubber	7A 7000150-A	6
49	9H except 76	Rubber	7EH 7300150	2
Group 00152 ANTI SQUEAK (BODY TO FRAME)				
49	9L72-74.	Rubber-1-3/4" O.D. 5/16" thick	8M 7000152	2
Group 00154 ANTI SQUEAK (BODY TO FRAME)				
49	9L	Rubber	21A 7000154-A	6
49	9L,9H except 76	Rubber	7EH 7300154	2or6
Group 00154 SPACER (BODY TO FRAME AT SEAT TRACK)				
49	9L76	Metal-3/8" dia. hole x 1-1/2" O.D. x 11/16" thick	8M 7600154-A	2
49	9L76	Metal-7/16" dia. hole x 1-1/2" O.D. x 11/16" thick	8M 7600154-B	2
Group 01610 PANEL ASSEMBLY (DASH)				
49	9L except 76	Horn Relay holes 3-1/4" from top of Dash Panel	8M 7001610-A	1
49	9L except 76	Horn Relay holes 43/64" from top of Dash Panel	8M 7001610-B	1
49	9L76	replaced by 8M-7601614-B	8M 7601610-B	1
49	9H except 76		8H 7301610	1
49	9H76		8H 7601610	1
49	9H	Nut (square head)-No. 10-32	34141-S7	2
49	9H	Bolt (special head)-5/16"-18 x 5/8"	350406-S	1
Group 01614 PANEL AND BRACE ASSEMBLY (DASH)				
49	9L except 76		8M 7001614-B	1
49	9L76		8M 7601614-B	1
Group 01654 RETAINER (STEERING COLUMN OPENING SEALER)				
49	9L	Steel	8M 7001654	2
49	9H	Steel	7EH 7301654	2
49	9L	Screw (hex washer head)-No. 14-10 x 1/2"	31527-S7	2
49	9L	Screw (hex head self tapping)-10 x 3/4"	42021-S	4
49	9H	Screw (hex head self tapping)-No. 10 x 1-1/4"	42037-S8	2
Group 01658 BRACKET (TOP OPERATING VALVE DASH)				
49	9L76	straight bracket	8M 7601658-A	1
49	9L76	step in bracket	8M 7601658-B	1
49	9H76		8H 7601658	1
49	9L76	Bolt (hex head)-1/4"-20 x 1/2"	24308-S8	2
49	9L76	Locknut (hex)-1/4"-20	34390-S7	2

Lincoln and Lincoln Cosmopolitan

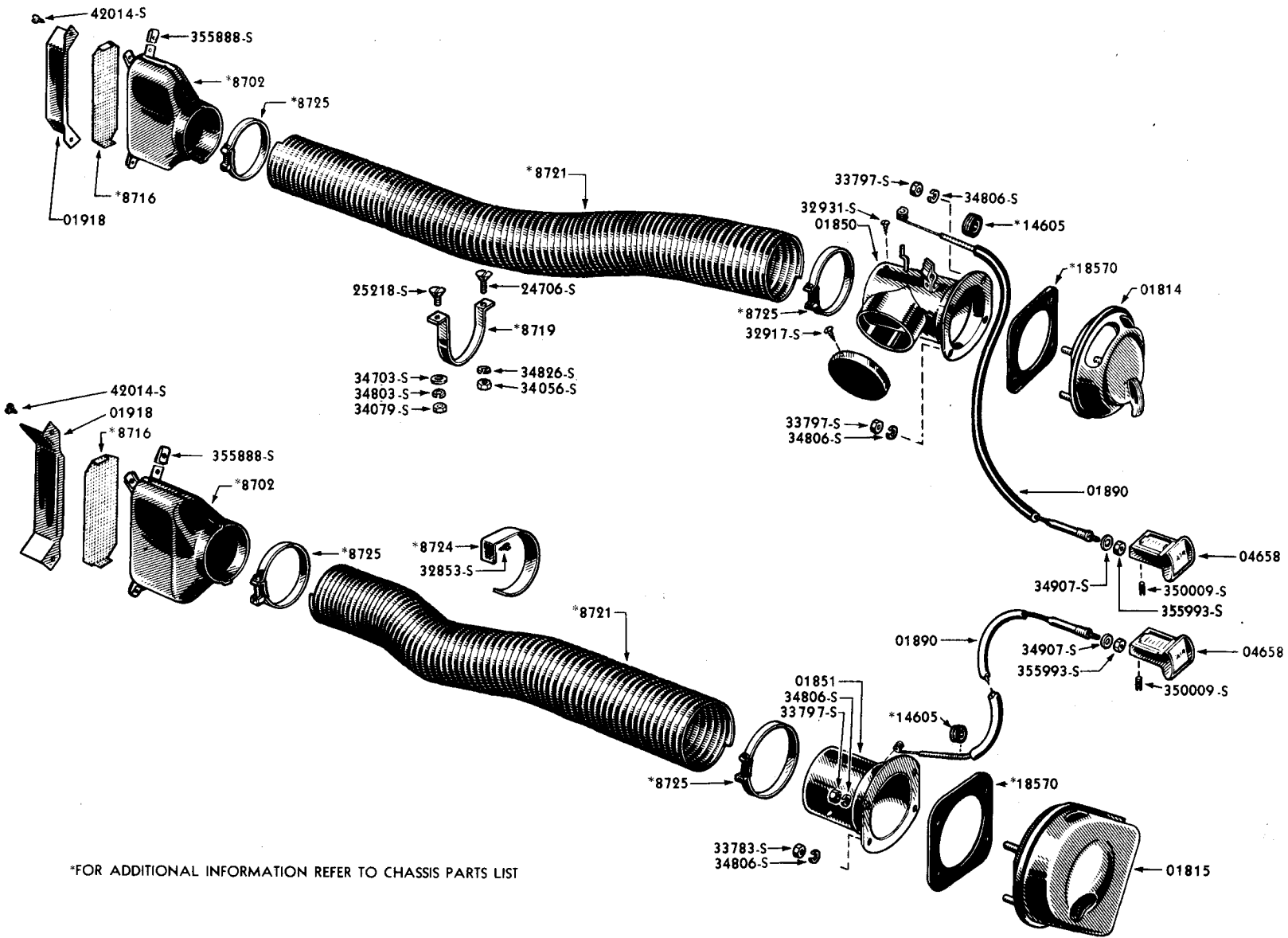
BODY PARTS CATALOGUE

YEAR 19	BODY TYPES	REMARKS	PART NUMBER	NO. REQ'D
Group 01670-1 INSULATOR ASSEMBLY (DASH)				
49	9H	R.H.-Cardboard	8H 7301670-A	1
49	9H	L.H.-Cardboard	8H 7301671-A	1
49	9H	R.H.-Cardboard and Fiber Glass	8H 7301670-B	1
49	9H	L.H.-Cardboard and Fiber Glass	8H 7301671-B	1
49	9H	Fastener (dash insulator)	353333-S2	7
49	9H	Fastener (dash insulator)	358359-S	12
Group 01670 INSULATOR ASSEMBLY (DASH UPPER)				
49	9L		8M 7001670-B	1
49	9L	Clip (dash liner)	352173-S32	7
Group 01673 INSULATOR ASSEMBLY (STEERING COLUMN OPENING)-DASH UPPER				
49	9L		8L 7001673-B	1
Group 01698 PLATE (STEERING COLUMN OPENING LOWER COVER)				
49	9L	Steel	8M 7001698	1
49	9L	Screw (hex head self tapping)-No. 10 x 1/2"	42007-S7	as req'd
Group 01699 PLATE (STEERING COLUMN OPENING UPPER COVER)				
49	9L	Steel	8M 7001699	1
49	9L	Screw (hex head self tapping)-No. 10 x 1/2"	42007-S7	as req'd
Group 01701 BRACKET (HAND BRAKE LEVER)				
49	9H		8H 7301701	1
49	9H	Screw and lockwasher assy-5/16"-18 x 5/8"	42758-S8	3
Group 01714 BRACE ASSEMBLY (DASH TO FRAME)				
49	9L		8M 7001714	2
Group 01726-7 BRACE (DASH TO FRAME)				
49	9L		8M 7001726	2
49	9L	L.H.-replaced by 8M-7001726	8M 7001727	1
49	9H	Washer (flat)-13/32" x 1-3/4" x 1/8"	356295-S8	2or4
Group 01728 PLATE (LOWER STEERING COLUMN TO DASH COVER)				
49	9H except 76	lower	7EH 7301728	1
49	9H except 76	Screw (hex head self tapping)-No. 10 x 1/2"	42007-S7	7
Group 01736 SPACER (DASH TO FRAME BRACE)				
49	9L except 76	Rubber-1-3/4" x 9/32" thick-hole diameter 13/32"	8M 7001736-A	8
49	9H	Rubber-1-3/4" x 9/32" thick-hole diameter 5/8"	8M 7001736-B	4

Lincoln and Lincoln Cosmopolitan

BODY PARTS CATALOGUE

YEAR 19	BODY TYPES	REMARKS	PART NUMBER	NO. REQ'D
Group 01740 SPACER (BODY TO FRAME)-No. 1 BODY BOLT				
49	9L	Stud 1-3/4" square x 5/16" thick	8M 7001740	4
49	9H	1/2" core 1-3/4" diameter	8H 7301740	2
Group 01760 CARPET AND BINDING ASSEMBLY (DASH)				
49	9H	Dark Blue-use with Blue and Rust Tweed or Blue Pin Stripe Broadcloth Scheme, and Blue Leather	8H 7301760-E	1
49	9H	Green Two Tone-use with Green Birdseye Broadcloth Scheme, Green Leather and Lime Green Leather	8H 7301760-G	1
49	9H	Green One Tone-use with Green Birdseye Broadcloth Scheme, Green Leather and Lime Green Leather	8H 7301760-L	1
49	9H	Tan-use with Brown Stripe Broadcloth Scheme, Red Leather, Tan Leather, and Yellow Leather	8H 7301760-F	1
49	9H except 76	use with Gray Narrow Stripe Scheme	8H 7301760-Q	1
49	9H except 76	use with Green Narrow Stripe Scheme	8H 7301760-N	1
49	9H except 76	use with Tan Narrow Stripe Scheme	8H 7301760-P	1
49	9H76	Red-used with Red Leather	8H 7601760-E	1
49	9H	Screw (self tapping)-No. 8 x 1/2"	32923-S7	12
49	9H except 76	Screw (oval head sheet metal)-No. 6 x 5/8"	32993-S15	16
49	9H76	Screw (oval head self tapping)-No. 6 x 3/4"	357819-S15	4
49	9H except 76	Washer (finish)-No. 6	34876-S15	16
49	9H76	Washer (finish)-No. 6	34884-S15	4
Group 01780-1 BRACE ASSEMBLY (DASH TO FRAME)				
49	9H	R.H.	8H 7301780	1
49	9H	L.H.	8H 7301781	1
49	9H	Bolt and lockwasher assy (hex head)-5/16"-18 x 1"	42847-S8	8
49	9H76	Bolt (hex head special)-3/8"-24 x 1-1/4"	350264-S7	2
49	9H except 76	Bolt (hex head special)-3/8"-24 x 1-5/8"	350269-S7	2
Group 01782 PLATE (UPPER STEERING COLUMN TO DASH COVER)				
49	9H	Steel	7EH 7301782	1
49	9H	Screw (hex head self tapping)-No. 10 x 1/2"	42007-S7	4
Group 01786-7 SILENCER (DASH PANEL LOWER)				
49	9L	for 10-1/2" tunnel width-one piece type	8M 7001786-B	1
49	9L	R.H.-for 15" tunnel width-40-1/4" long	8M 7001786-C	1
49	9L	R.H.-for 10-1/2" tunnel width	8M 7001786-D	1
49	9L	L.H.-without punch out clutch pedal opening	8M 7001787	1
49	9L except 76	R.H.-for 15" tunnel width-38-3/4" long	8L 7201786	1
49	9L except 76	L.H.-with punch out clutch pedal opening	8L 7201787	1
Group 01788 INSULATOR (STEERING COLUMN TO DASH COVER PLATE)				
49	9H		8H 7301788	1
Group 01792 SEAL (TOP CONTROL ROD TO DASH)				
49	9L76	Sponge Rubber-1" x 25/32" x 1/4"	8M 7601792	1
49	9L76	Screw (binding head self tapping)-No. 8 x 1/4"	32909-S2	2
Group 01793 RETAINER (TOP CONTROL ROD SEAL TO DASH)				
49	9L76		8M 7601793	1
49	9L76	Screw (binding head self tapping)-No. 8 x 1/4"	32909-S2	2



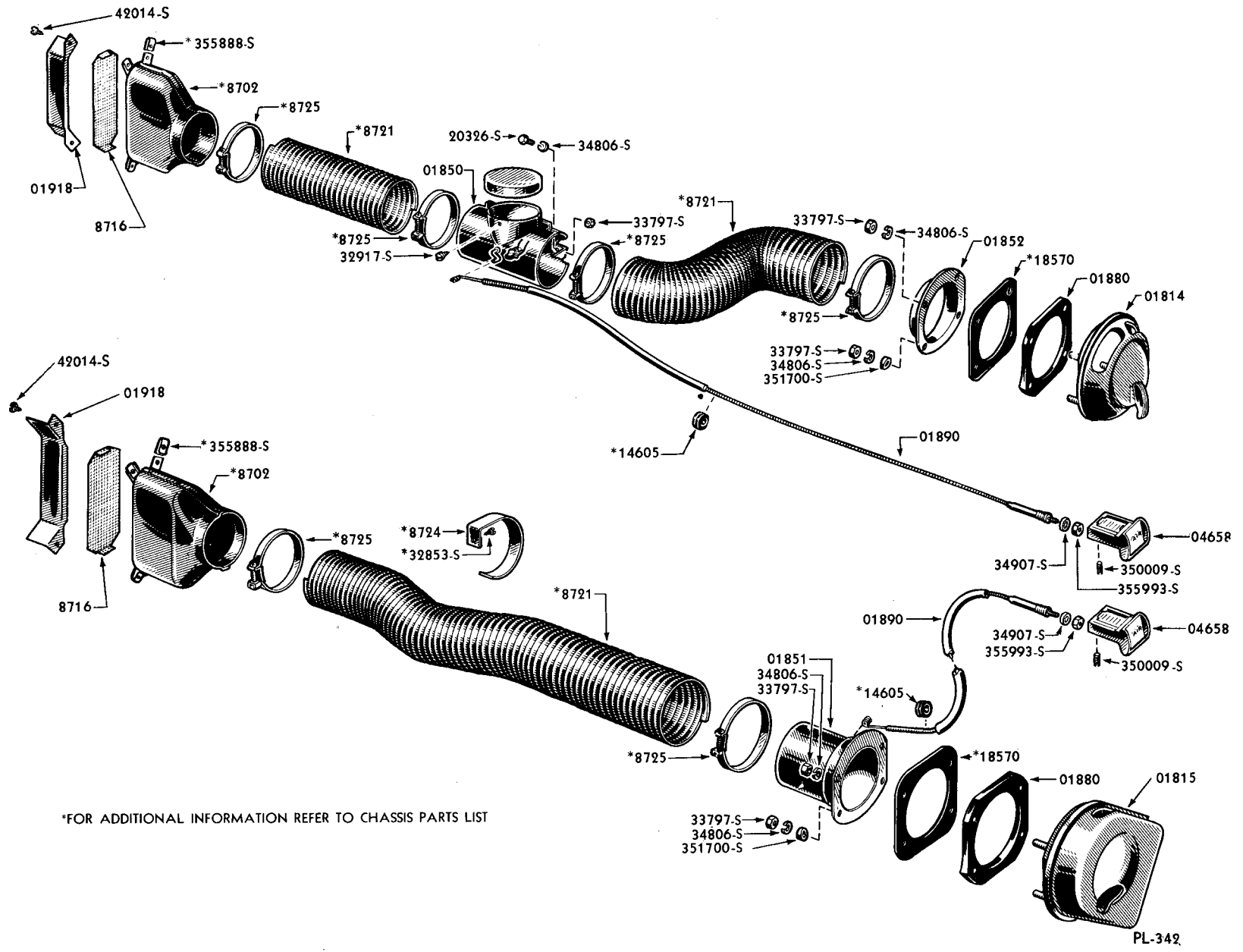
FOR ADDITIONAL INFORMATION REFER TO CHASSIS PARTS LIST

1949 LINCOLN FRESH AIR SYSTEM
 Group numbers only shown on illustration. Order by Part Numbers shown in list of parts.

PL-259

Lincoln and Lincoln Cosmopolitan

BODY PARTS CATALOGUE



*FOR ADDITIONAL INFORMATION REFER TO CHASSIS PARTS LIST

1949 LINCOLN COSMOPOLITAN FRESH AIR SYSTEM

Group numbers only shown on illustration. Order by Part Numbers shown in list of parts.

Lincoln and Lincoln Cosmopolitan

BODY PARTS CATALOGUE

YEAR 19__	BODY TYPES	REMARKS	PART NUMBER	NO. REQ'D
Group 01814-5 REGISTER ASSY (FRESH AIR DUCT)				
49	9L,9H	R.H.-complete with door and knob-passenger side of dash	8L 7301814	1
49	9L,9H	L.H.	8M 7301815-B	1
Group 01844 HANDLE (FRESH AIR DUCT)				
49	9L,9H		8H 7301844	1
Group 01846 PLATE (HEATER OPENING COVER)				
49	9L	when heater is not used	8M 7001846	1
49	9H	when heater is not used	8H 7301846	1
Group 01848 PLATE (HEATER CONTROL VALVE OPENING COVER)				
49	9L	when heater is not used	8M 7001848	1
49	9H	when heater is not used	8H 7301848	1
Group 01850-1 VALVE ASSEMBLY (FRESH AIR DUCT)				
49	9L	R.H.	8M 7301850	1
49	9L	L.H.	8L 7301851	1
49	9H	R.H.	8H 7301850	1
49	9H	L.H.	8H 7301851	1
49	9H	Bolt (hex head)-5/16"-18 x 5/8"-valve assy to apron	20326-S7	2
49	9L,9H	Lockwasher-5/16"	34806-S2	8or10
49	9L,9H	Nut (hex)-5/16"-18	33797-S8	8
49	9L	Screw (binding head)-No. 10-12 x 3/8"	32917-S7	3
Group 01852 COLLAR (AIR VALVE)				
49	9H		8H 7301852	1
Group 01863 DAMPER ASSEMBLY (AIR VALVE)				
49	9L,9H	L.H.	8L 7301863	1
Group 01880 GASKET (FRESH AIR REGISTER)				
49	9H	used for mounting register to dash	8H 7301880	2
Group 01890 CABLE ASSY (AIR VALVE CONTROL)				
49	9L	30" long-without anti rattle	8L 7001890	2
49	9L	L.H.-30" long-with anti rattle without stops	8L 7301890-B	1
49	9L	R.H.-35" long-with anti rattle with stops	8L 7301890-C	1
49	9H	L.H.-34" long-with anti rattle without stops	8H 7301890-B	1
49	9H	R.H.-35" long-with anti rattle with stops	8H 7301890-C	1
49	9L	Lockwasher (light)-3/8"	34907-S7	2
49	9L	Nut (hex)-3/8"-24	355993-S8	2
Group 01918 BAFFLES (FRESH AIR VENT)				
49	9L,9H		8H 7301918	2
49	9L,9H	Screw (hex head)-No. 10 x 5/8"	42014-S8	4
Group 02002 PAD (COWL SIDE SILENCER)				
49	9H		8H 7302002	2
Group 02007 PANEL (COWL TOP AND PILLAR)				
49	9H76		8H 7602007	1

Lincoln and Lincoln Cosmopolitan

BODY PARTS CATALOGUE

YEAR 19	BODY TYPES	REMARKS	PART NUMBER	NO. REQ'D
Group 02010 PANEL ASSEMBLY (COWL TOP)				
49	9L76		7A 7602010	1
Group 02042-3 PILLAR AND PANEL ASSEMBLY (COWL SIDE AND BODY FRONT)				
49	9L except 76	R.H.-Manual Control	8M 7002042	1
49	9L except 76	L.H.-Manual Control	8M 7002043	1
49	9L except 76	R.H.-Hydraulic Control	8L 7302042-B	1
49	9L except 76	L.H.-Hydraulic Control-including hydraulic motor mounting brkts.	8L 7302043-B	1
49	9L76	R.H.	8M 7602042	1
49	9L76	L.H.	8M 7602043	1
49	9H except 76	R.H.	8H 7302042-B	1
49	9H except 76	L.H.	8H 7302043-B	1
49	9H76	R.H.	8H 7602042	1
49	9H76	L.H.	8H 7602043	1
Group 02060 ANTI SQUEAK (FRONT BODY HINGE PILLAR BRKT. TO FENDER FLANGE SUPPORT)				
49	9L	25-1/2" long-replaced by 8M-7002066-B	8M 7002060	2
Group 02066 ANTI SQUEAK (COWL SIDE PANEL)				
49	9L	22-1/4" long	8M 7002066-B	2
Group 02074-5 SEALER (COWL PANEL TO HOOD)				
49	9L	R.H.-Rubber	8M 7002074	1
49	9L	L.H.-Rubber	8M 7002075	1
49	9L	Drive Nail-No. 6	351629-S28-A2B	8
49	9L	Screw (stove head sheet metal)-No. 8 x 1/2"	350065-S7	8
Group 02092 COVER (COWL SIDE PANEL OPENING)				
49	9L		7A 7002092	2
49	9L	Screw (binding head self tapping)-No. 8 x 3/8"	52720-S8	8
Group 02093 GASKET (COWL SIDE PANEL OPENING COVER)				
49	9L		7A 7002093	2
Group 02164 INSULATOR (COWL UPPER)				
49	9H73	Fiber Glass-3/4" thick	8H 7302164	2
Group 02292-3 SILENCER (COWL SIDE PANEL)				
49	9L	R.H.	8M 7002292	1
49	9L	L.H.	8M 7002293	1

Lincoln and Lincoln Cosmopolitan

BODY PARTS CATALOGUE

YEAR 19	BODY TYPES	REMARKS	PART NUMBER	NO. REQ'D
Group 02344-5 CARDBOARD (COWL TRIM)				
49	9L except 76	R.H.-use with Blue Bedford Cord Scheme	8M 7002344-C	1
49	9L except 76	L.H.-use with Blue Bedford Cord Scheme	8M 7002345-C	1
49	9L except 76	R.H.-use with Gray Birdseye Broadcloth Scheme	8L 7002344-A	1
49	9L except 76	L.H.-use with Gray Birdseye Broadcloth Scheme	8L 7002345-A	1
49	9L except 76	R.H.-use with Yellow Check Broadcloth Scheme	8L 7002344-B	1
49	9L except 76	L.H.-use with Yellow Check Broadcloth Scheme	8L 7002345-B	1
49	9L76	R.H.-use with Blue Leather and Cord Trim	8M 7002344-C	1
49	9L76	L.H.-use with Blue Leather and Cord Trim	8M 7002345-C	1
49	9L76	R.H.-use with Green Leather and Cord Trim	8M 7602344-C	1
49	9L76	L.H.-use with Green Leather and Cord Trim	8M 7602345-C	1
49	9L76	R.H.-use with Red Leather and Cord Trim	8M 7602344-A	1
49	9L76	L.H.-use with Red Leather and Cord Trim	8M 7602345-A	1
49	9L76	R.H.-use with Tan Leather and Cord Trim	8M 7602344-B	1
49	9L76	L.H.-use with Tan Leather and Cord Trim	8M 7602345-B	1
Group 02348-9 TRIM ASSEMBLY (SIDE COWL PANEL)				
49	9L except 76	R.H.-use with Gray Wide Stripe Scheme	8L 7202348-C	1
49	9L except 76	L.H.-use with Gray Wide Stripe Scheme	8L 7202349-C	1
49	9L except 76	R.H.-use with Green Wide Stripe Scheme	8L 7202348-A	1
49	9L except 76	L.H.-use with Green Wide Stripe Scheme	8L 7202349-A	1
49	9L except 76	R.H.-use with Tan Wide Stripe Scheme	8L 7202348-B	1
49	9L except 76	L.H.-use with Tan Wide Stripe Scheme	8L 7202349-B	1
49	9H except 76	R.H.-use with Blue Pin Stripe Broadcloth Scheme	8H 7302348-J	1
49	9H except 76	L.H.-use with Blue Pin Stripe Broadcloth Scheme	8H 7302349-J	1
49	9H except 76	R.H.-use with Blue and Rust Tweed Broadcloth Scheme	8H 7302348-F	1
49	9H except 76	L.H.-use with Blue and Rust Tweed Broadcloth Scheme	8H 7302349-F	1
49	9H except 76	R.H.-use with Brown Stripe Broadcloth Scheme	8H 7302348-G	1
49	9H except 76	L.H.-use with Brown Stripe Broadcloth Scheme	8H 7302349-G	1
49	9H except 76	R.H.-use with Gray Narrow Stripe Scheme	8H 7302348-N	1
49	9H except 76	L.H.-use with Gray Narrow Stripe Scheme	8H 7302349-N	1
49	9H except 76	R.H.-use with Green Birdseye Broadcloth Scheme	8H 7302348-H	1
49	9H except 76	L.H.-use with Green Birdseye Broadcloth Scheme	8H 7302349-H	1
49	9H except 76	R.H.-use with Green Narrow Stripe Scheme	8H 7302348-L	1
49	9H except 76	L.H.-use with Green Narrow Stripe Scheme	8H 7302349-L	1
49	9H except 76	R.H.-use with Tan Narrow Stripe Scheme	8H 7302348-M	1
49	9H except 76	L.H.-use with Tan Narrow Stripe Scheme	8H 7302349-M	1
49	9H76	R.H.-Blue Leather Trim	8H 7602348-K	1
49	9H76	L.H.-Blue Leather Trim	8H 7602349-K	1
49	9H76	R.H.-Green Leather Trim	8H 7602348-J	1
49	9H76	L.H.-Green Leather Trim	8H 7602348-J	1
49	9H76	R.H.-Lime Green Leather Trim	8H 7602348-M	1
49	9H76	L.H.-Lime Green Leather Trim	8H 7602349-M	1
49	9H76	R.H.-Red Leather Trim	8H 7602348-G	1
49	9H76	L.H.-Red Leather Trim	8H 7602349-G	1
49	9H76	R.H.-Tan Leather Trim	8H 7602348-H	1
49	9H76	L.H.-Tan Leather Trim	8H 7602349-H	1
49	9H76	R.H.-Yellow Leather Trim	8H 7602348-L	1
49	9H76	L.H.-Yellow Leather Trim	8H 7602349-L	1
49	9H	Screw (oval head sheet metal)-No. 6 x 3/4"	33000-S13	10
49	9H except 76	Washer (flush countersunk)-No. 6	34861-S23	10
Group 02354 RETAINER (COWL CARDBOARD)				
49	9L	in Prime	8M 7002354-AP	2
49	9H	in Prime-20-29/32" long-25/64" high-1-1/16" wide	8H 7302354-BP	2
49	9L	Screw (hex head self tapping)-No. 8 x 1/2"	42006-S7	6

Lincoln and Lincoln Cosmopolitan

BODY PARTS CATALOGUE

YEAR 19	BODY TYPES	REMARKS	PART NUMBER	NO. REQ'D
Group 02504-5 PILLAR ASSEMBLY (FRONT BODY HINGE)-COMPLETE				
49	9L76	R.H.	8M 7602504	1
49	9L76	L.H.	8M 7602505	1
Group 02582-3 BRACE (FRONT BODY HINGE PILLAR TO FLOOR)				
49	9H76	R.H.	8H 7602582-B	1
49	9H76	L.H.	8H 7602583-B	1
Group 02594-5 RETAINER (FRONT BODY PILLAR WEATHERSTRIP)-UPPER				
49	9L76	R.H.	7A 7602594	1
49	9L76	L.H.	7A 7602595	1
49	9H76	R.H.-16-57/64" long	8H 7602594	1
49	9H76	L.H.-16-57/64" long	8H 7602595	1
49	9E76	Screw (binding head self tapping)-No. 8 x 1/4"	33169-S7	6
Group 02600-1 WINDLACE AND REINFORCEMENT ASSEMBLY (FRONT BODY PILLAR AND DOOR OPENING)				
49	9L72	R.H.-use with Blue Bedford Cord Scheme with M-19162-N Gray Headlining	8L 7002600-C	1
49	9L72	L.H.-use with Blue Bedford Cord Scheme with M-19162-N Gray Headlining	8L 7002601-C	1
49	9L72	R.H.-use with Blue Bedford Cord Scheme with M-19164-C Gray Headlining	8L 7002600-F	1
49	9L72	L.H.-use with Blue Bedford Cord Scheme with M-19164-C Gray Headlining	8L 7002601-F	1
49	9L72	R.H.-use with Gray Birdseye Broadcloth Scheme with M-19162-L Blue Green Headlining	8L 7002600-A	1
49	9L72	L.H.-use with Gray Birdseye Broadcloth Scheme with M-19162-L Blue Green Headlining	8L 7002601-A	1
49	9L72	R.H.-use with Gray Birdseye Broadcloth Scheme with M-19164-A Blue Green Headlining	8L 7002600-D	1
49	9L72	L.H.-use with Gray Birdseye Broadcloth Scheme with M-19164-A Blue Green Headlining	8L 7002601-D	1
49	9L72	R.H.-use with Gray Wide Stripe Scheme with M-19164-F Light Gray Headlining Cloth	8L 7002600-J	1
49	9L72	L.H.-use with Gray Wide Stripe Scheme with M-19164-F Light Gray Headlining Cloth	8L 7002601-J	1
49	9L72	R.H.-use with Green Wide Stripe Scheme with M-19164-D Light Green Headlining Cloth	8L 7002600-G	1
49	9L72	L.H.-use with Green Wide Stripe Scheme with M-19164-D Light Green Headlining Cloth	8L 7002601-G	1
49	9L72	R.H.-use with Tan Wide Stripe Scheme with M-19164-E Light Tan Headlining Cloth	8L 7002600-H	1
49	9L72	L.H.-use with Tan Wide Stripe Scheme with M-19164-E Light Tan Headlining Cloth	8L 7002601-H	1
49	9L72	R.H.-use with Yellow Check Broadcloth Scheme with M-19162-M Brown Taupe Headlining	8L 7002600-B	1
49	9L72	L.H.-use with Yellow Check Broadcloth Scheme with M-19162-M Brown Taupe Headlining	8L 7002601-B	1
49	9L72	R.H.-use with Yellow Check Broadcloth Scheme with M-19164-B Tan Headlining	8L 7002600-E	1
49	9L72	L.H.-use with Yellow Check Broadcloth Scheme with M-19164-B Tan Headlining	8L 7002601-E	1

Lincoln and Lincoln Cosmopolitan

BODY PARTS CATALOGUE

YEAR 19__	BODY TYPES	REMARKS	PART NUMBER	NO. REQ'D
Group 02600-1 WINDLACE AND REINFORCEMENT ASSEMBLY (FRONT BODY PILLAR AND DOOR OPENING)-CONTINUED				
49	9L74	R.H.-use with Blue Bedford Cord Scheme with M-19162-N Gray Headlining	8L 7302600-C	1
49	9L74	L.H.-use with Blue Bedford Cord Scheme with M-19162-N Gray Headlining	8L 7302601-C	1
49	9L74	R.H.-use with Blue Bedford Cord Scheme with M-19164-C Gray Headlining	8L 7302600-F	1
49	9L74	L.H.-use with Blue Bedford Cord Scheme with M-19164-C Gray Headlining	8L 7302601-F	1
49	9L74	R.H.-use with Gray Birdseye Broadcloth Scheme with M-19162-L Blue Green Headlining	8L 7302600-A	1
49	9L74	L.H.-use with Gray Birdseye Broadcloth Scheme with M-19162-L Blue Green Headlining	8L 7302601-A	1
49	9L74	R.H.-used with Gray Birdseye Broadcloth Scheme with M-19164-A Blue Green Headlining	8L 7302600-D	1
49	9L74	L.H.-used with Gray Birdseye Broadcloth Scheme with M-19164-A Blue Green Headlining	8L 7302601-D	1
49	9L74	R.H.-use with Gray Wide Stripe Scheme with M-19164-F Light Gray Headlining Cloth	8L 7302600-J	1
49	9L74	L.H.-use with Gray Wide Stripe Scheme with M-19164-F Light Gray Headlining Cloth	8L 7302601-J	1
49	9L74	R.H.-use with Green Wide Stripe Scheme with M-19164-D Light Green Headlining Cloth	8L 7302600-G	1
49	9L74	L.H.-use with Green Wide Stripe Scheme with M-19164-D Light Green Headlining Cloth	8L 7302601-G	1
49	9L74	R.H.-use with Tan Wide Stripe Scheme with M-19164-E Light Tan Headlining Cloth	8L 7302600-H	1
49	9L74	L.H.-use with Tan Wide Stripe Scheme with M-19164-E Light Tan Headlining Cloth	8L 7302601-H	1
49	9L74	R.H.-use with Yellow Check Broadcloth Scheme with M-19162-M Brown Taupe Headlining	8L 7302600-B	1
49	9L74	L.H.-use with Yellow Check Broadcloth Scheme with M-19162-M Brown Taupe Headlining	8L 7302601-B	1
49	9L74	R.H.-use with Yellow Check Broadcloth Scheme with M-19164-B Tan Headlining	8L 7302600-E	1
49	9L74	L.H.-use with Yellow Check Broadcloth Scheme with M-19164-B Tan Headlining	8L 7302601-E	1
49	9L72-74	Drive Nail-No. 6	351269-S28-A2B	14

Group 02606-7 WINDLACE AND COVER ASSEMBLY (FRONT BODY PILLAR)

49	9H72	R.H.-use with Blue Pin Stripe Broadcloth Scheme	8H 7202606-D	1
49	9H72	L.H.-use with Blue Pin Stripe Broadcloth Scheme	8H 7202607-D	1
49	9H72	R.H.-use with Blue and Rust Tweed Broadcloth Scheme	8H 7202606-A	1
49	9H72	L.H.-use with Blue and Rust Tweed Broadcloth Scheme	8H 7202607-A	1
49	9H72	R.H.-use with Brown Stripe Broadcloth Scheme	8H 7202606-B	1
49	9H72	L.H.-use with Brown Stripe Broadcloth Scheme	8H 7202607-B	1
49	9H72	R.H.-use with Green Birdseye Broadcloth Scheme	8H 7202606-C	1
49	9H72	L.H.-use with Green Birdseye Broadcloth Scheme	8H 7202607-C	1
49	9H73-74	R.H.-use with Blue Pin Stripe Broadcloth Scheme	8H 7302606-D	1
49	9H73-74	L.H.-use with Blue Pin Stripe Broadcloth Scheme	8H 7302607-D	1
49	9H73-74	R.H.-use with Blue and Rust Tweed Broadcloth Scheme	8H 7302606-A	1
49	9H73-74	L.H.-use with Blue and Rust Tweed Broadcloth Scheme	8H 7302607-A	1
49	9H73-74	R.H.-use with Brown Stripe Broadcloth Scheme	8H 7302606-B	1
49	9H73-74	L.H.-use with Brown Stripe Broadcloth Scheme	8H 7302607-B	1
49	9H73-74	R.H.-use with Green Birdseye Broadcloth Scheme	8H 7302606-C	1
49	9H73-74	L.H.-use with Green Birdseye Broadcloth Scheme	8H 7302607-C	1

Lincoln and Lincoln Cosmopolitan

BODY PARTS CATALOGUE

YEAR 19	BODY TYPES	REMARKS	PART NUMBER	NO. REQ'D
Group 02606-7 WINDLACE AND REINFORCEMENT ASSEMBLY (FRONT BODY PILLAR)				
49	9H72	R.H.-use with Blue and Rust Tweed or Blue Pin Stripe Broadcloth Scheme	8H 7202606-F	1
49	9H72	L.H.-use with Blue and Rust Tweed or Blue Pin Stripe Broadcloth Scheme	8H 7202607-F	1
49	9H72	R.H.-use with Brown Stripe Broadcloth Scheme	8H 7202606-G	1
49	9H72	L.H.-use with Brown Stripe Broadcloth Scheme	8H 7202607-G	1
49	9H72	R.H.-use with Gray Narrow Stripe Scheme	8H 7202606-M	1
49	9H72	L.H.-use with Gray Narrow Stripe Scheme	8H 7202607-M	1
49	9H72	R.H.-use with Green Birdseye Broadcloth Scheme	8H 7202606-H	1
49	9H72	L.H.-use with Green Birdseye Broadcloth Scheme	8H 7202607-H	1
49	9H72	R.H.-use with Green Narrow Stripe Scheme	8H 7202606-K	1
49	9H72	L.H.-use with Green Narrow Stripe Scheme	8H 7202607-K	1
49	9H72	R.H.-use with Tan Narrow Stripe Scheme	8H 7202606-L	1
49	9H72	L.H.-use with Tan Narrow Stripe Scheme	8H 7202607-L	1
49	9H73-74	R.H.-use with Blue and Rust Tweed or Blue Pin Stripe Broadcloth Scheme	8H 7302606-F	1
49	9H73-74	L.H.-use with Blue and Rust Tweed or Blue Pin Stripe Broadcloth Scheme	8H 7302607-F	1
49	9H73-74	R.H.-use with Brown Stripe Broadcloth Scheme	8H 7302606-G	1
49	9H73-74	L.H.-use with Brown Stripe Broadcloth Scheme	8H 7302607-G	1
49	9H73-74	R.H.-use with Gray Narrow Stripe Scheme	8H 7302606-M	1
49	9H73-74	L.H.-use with Gray Narrow Stripe Scheme	8H 7302607-M	1
49	9H73-74	R.H.-use with Green Birdseye Broadcloth Scheme	8H 7302606-H	1
49	9H73-74	L.H.-use with Green Birdseye Broadcloth Scheme	8H 7302607-H	1
49	9H73-74	R.H.-use with Green Narrow Stripe Scheme	8H 7302606-K	1
49	9H73-74	L.H.-use with Green Narrow Stripe Scheme	8H 7302607-K	1
49	9H73-74	R.H.-use with Tan Narrow Stripe Scheme	8H 7302606-L	1
49	9H73-74	L.H.-use with Tan Narrow Stripe Scheme	8H 7302607-L	1

Group 02610 WINDLACE ASSEMBLY (FRONT BODY PILLAR)

49	9L76	33" long-use with Blue Leather and Cord Trim	8L 7602610	2
49	9L76	33" long-use with Green Leather and Cord Trim	8M 7602610-C	2
49	9L76	33" long-use with Red Leather and Cord Trim	8M 7602610-A	2
49	9L76	33" long-use with Tan Leather and Cord Trim	8M 7602610-B	2
49	9H76	32" long-use with Blue Leather	8H 7602610-D	2
49	9H76	32" long-use with Green Leather	8H 7602610-C	2
49	9H76	32" long-use with Lime Green Leather	8H 7602610-F	2
49	9H76	32" long-use with Red Leather	8H 7602610-A	2
49	9H76	32" long-use with Tan Leather	8H 7602610-B	2
49	9H76	32" long-use with Yellow Leather	8H 7602610-E	2

Group 02610 WINDLACE ASSEMBLY (QUARTER LOCK PILLAR)

49	9L76	33" long-use with Blue Leather and Cord Trim	8L 7602610	2
49	9L76	33" long-use with Green Leather and Cord Trim	8M 7602610-C	2
49	9L76	33" long-use with Red Leather and Cord Trim	8M 7602610-A	2
49	9L76	33" long-use with Tan Leather and Cord Trim	8M 7602610-B	2

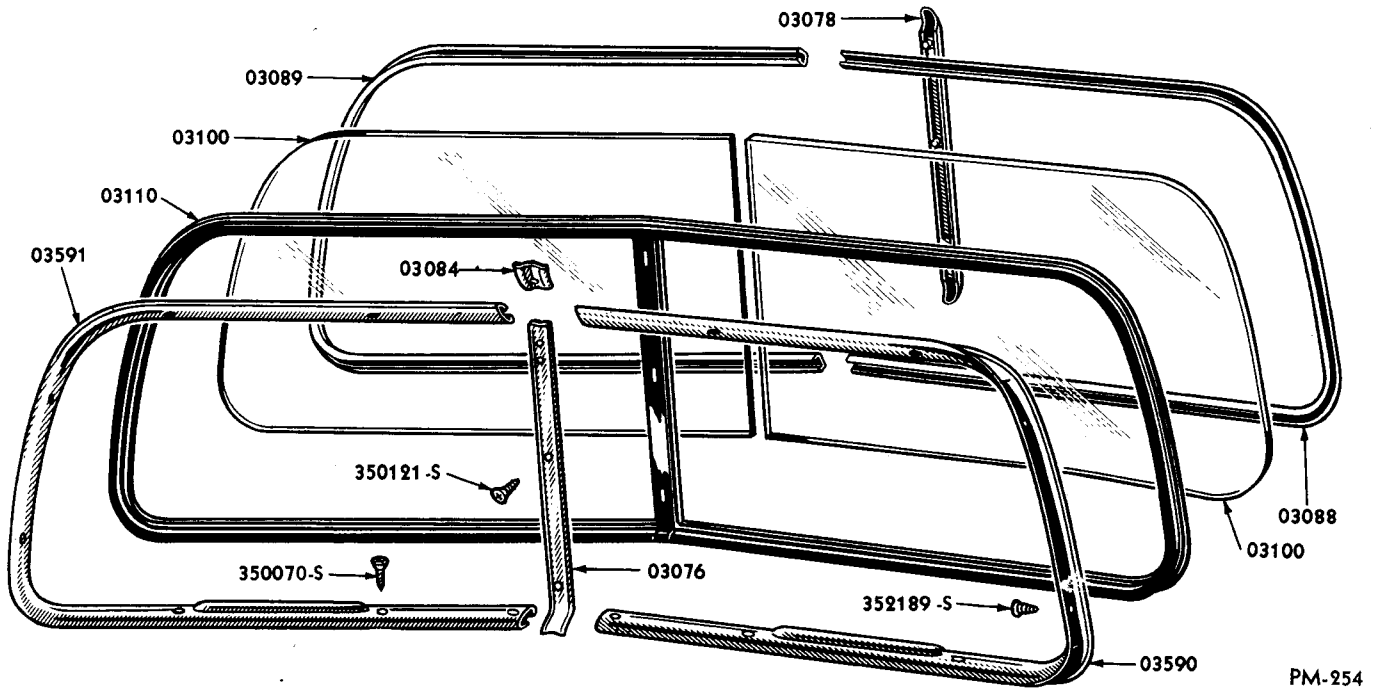
Lincoln and Lincoln Cosmopolitan

BODY PARTS CATALOGUE

YEAR 19	BODY TYPES	REMARKS	PART NUMBER	NO. REQ'D
Group 02626-7 WEATHERSTRIP (FRONT BODY PILLAR)-UPPER				
49	9L76	R.H.	7A 7602626	1
49	9L76	L.H.	7A 7602627	1
49	9H76	R.H.	8H 7602626	1
49	9H76	L.H.	8H 7602627	1
49	9L76	Screw (binding head self tapping)-No. 8 x 1/2"	32923-S7	2
Group 02658-9 PILLAR ASSEMBLY (FRONT BODY HINGE)				
49	9H except 76	R.H.-without bracket-body hinge pillar to fender	7EH 7302658	1
49	9H except 76	L.H.-without bracket-body hinge pillar to fender	7EH 7302659	1
49	9H except 76	R.H.-with bracket-body hinge pillar to fender	8H 7302658	1
49	9H except 76	L.H.-with bracket-body hinge pillar to fender	8H 7302659	1
49	9H76	R.H.	8H 7602658	1
49	9H76	L.H.	8H 7602659	1
Group 03040 STRAINER ASSEMBLY (WINDSHIELD)-CENTER				
49	9L76		8M 7603040	1
49	9L76	Lockwasher-No. 12	34804-S2	4
49	9L76	Nut (hex)-No. 12-24	34054-S2	2
49	9L76	Screw (oval head machine)-No. 10-32 x 1"	350121-S13	3
49	9L76	Screw (pan head)-No. 12-24 x 3/4"	39093-S2	4
49	9L76	Washer (flat)-No. 12	34704-S7	4
Group 03052 REINFORCEMENT (SITTING COLUMN TO WINDSHIELD FRAME)				
49	9L		8L 7303052	1
Group 03076 RETAINER (WINDSHIELD CENTER WEATHERSTRIP)-INNER				
49	9L except 76		8M 7003076-A	1
49	9L except 76	Screw (oval head machine)-No. 10-32 x 1"	350121-S13	3
Group 03078 RETAINER ASSEMBLY (WINDSHIELD CENTER WEATHERSTRIP)-OUTER				
49	9L	Rustless Steel	7A 7003078	1
49	9L except 76	Chrome Finish	8L 7003078	1
Group 03084 PLATE (WINDSHIELD FINISH STRIP)-UPPER				
49	9L except 76	Gold Fleck Dark Gray Metallic Finish	8L 7003084-A	1
49	9L except 76	in Prime	8M 7003084-AP	1
49	9L76	in Prime	8M 7603084-AP	1
49	9L76	Gold Fleck Dark Gray Metallic Finish-repl. by 8M-7603084-AP	8L 7603084	1
49	9L	Screw (Phillips head sheet metal)-No. 8 x 1-1/2"	350070-S13	1
Group 03086 PLATE (WINDSHIELD CENTER INSIDE FINISH STRIP)-LOWER				
49	9L76	Gold Fleck Dark Gray Metallic Finish	8L 7603086-A	1
49	9L76	in Prime	8M 7603086-AP	1

Lincoln and Lincoln Cosmopolitan

BODY PARTS CATALOGUE



PM-254

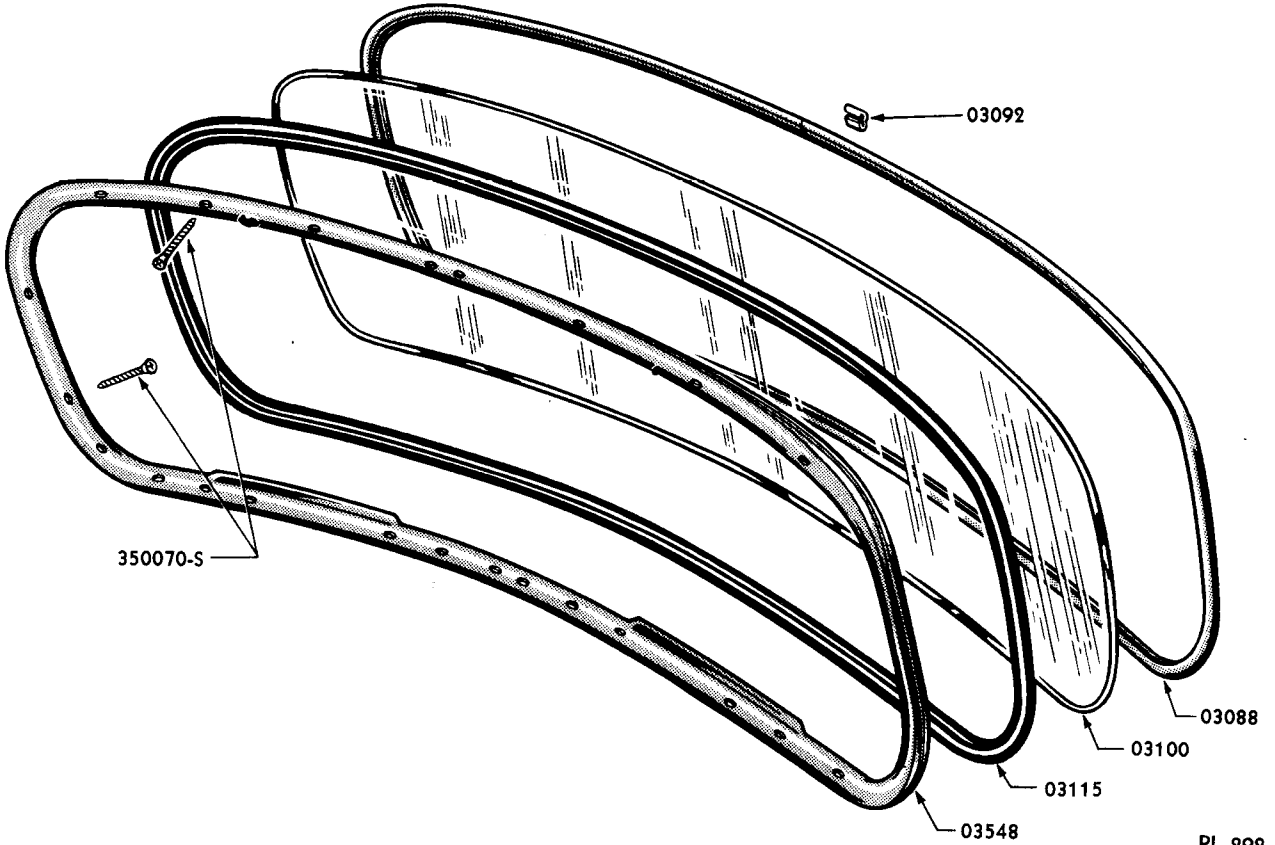
1949 LINCOLN WINDSHIELD PARTS

Group numbers only shown on illustration. Order by Part Numbers shown in list of parts.

YEAR 19	BODY TYPES	REMARKS	PART NUMBER	NO. REQ'D
Group 03088-9 MOULDING (WINDSHIELD FINISH)-OUTSIDE				
49	9L	R.H.-Rustless Steel	7A 7003088	1
49	9L	L.H.-Rustless Steel	7A 7003089	1
49	9L except 76	R.H.-Chrome Finish	8L 7003088	1
49	9L except 76	L.H.-Chrome Finish	8L 7003089	1
49	9H except 76	Rustless Steel	7EH 7303088-A	1
49	9H except 76	Chrome Finish	7EH 7303088-B	1
49	9H76	Rustless Steel	8H 7603088-A	1
49	9H76	Chrome Finish	8H 7603088-B	1
Group 03092 CLIP (WINDSHIELD OUTSIDE FINISH MOULDING)				
49	9H	Rustless Steel	7EH 7303092-A	1
49	9H	Chrome Finish	7EH 7303092-B	1
49	9H except 76	Screw (binding head self tapping)-No. 6 x 3/8"	32914-S2	2
Group 03100 GLASS ASSEMBLY (WINDSHIELD)				
49	9L		8M 7003100	2
49	9H except 76		7EH 7303100	1
49	9H76		8H 7603100	1
Group 03110 WEATHERSTRIP (WINDSHIELD)				
49	9L except 76		8M 7003110-A	1
49	9L76		8M 7603110-A	1

Lincoln and Lincoln Cosmopolitan

BODY PARTS CATALOGUE



1949 LINCOLN COSMOPOLITAN WINDSHIELD PARTS

Group numbers only shown on illustration. Order by Part Numbers shown in list of parts.

YEAR 19__	BODY TYPES	REMARKS	PART NUMBER	NO. REQ'D
Group 03115 WEATHERSTRIP (WINDSHIELD)				
49	9H except 76	Rubber-133" long	7EH 7303115-A	1
49	9H76	Rubber-131" long	8H 7603115-A	1
Group 03442 DOWEL (FOLDING TOP NO. 1 BOW)-CENTER				
49	9L76,9H76		8H 7603442	1
Group 03458-9 DOWEL (FOLDING TOP NO. 1 BOW)				
49	9L76,9H76	R.H.	8H 7603458	1
49	9L76,9H76	L.H.	8H 7603459	1
49	9L76	Screw (flat head machine)-1/4"-20 x 5/8"	24649-S13	6
Group 03476 SEAL (WINDSHIELD HEADER)-REAR				
49	9H76	Rubber-55-39/64" long	8H 7603476	1
Group 03476 SEAL (WINDSHIELD HEADER)-INNER				
49	9L76	Rubber 50" long	8M 7603476-B	1

Lincoln and Lincoln Cosmopolitan

BODY PARTS CATALOGUE

YEAR 19__	BODY TYPES	REMARKS	PART NUMBER	NO. REQ'D
Group 03548 STRIP ASSEMBLY (WINDSHIELD OPENING FINISH)				
49	9H except 76	Gold Fleck Dark Gray Metallic Finish	8H 7303548-C	1
49	9H except 76	in Prime	8H 7303548-AP	1
49	9H76	in Prime	8H 7603548-A	1
49	9H	Screw (Phillips head sheet metal)-No. 8 x 1-1/2"	350070-S13	26
Group 03566 PANEL ASSEMBLY (WINDSHIELD OPENING INSIDE)				
49	9L76		7A 7603566	1
Group 03570 HANDLE (TOP LOCKING)				
49	9L76,9H76		8H 7603570	1
49	9L76,9H76	Pin (tapered)-No. 2 x 3/4"	73689-S	1
Group 03572-3 RETAINER (WINDSHIELD OPENING FINISH STRIP)-AT BELT				
49	9L	1" long	8M 7003572	6
49	9L	Screw (oval head sheet metal)-No. 8 x 1"	33013-S2	4
Group 03576 REINFORCEMENT ASSEMBLY (WINDSHIELD OPENING AND HEADER)				
49	9H76		8H 7603576	1
Group 03590-1 STRIP (WINDSHIELD OPENING FINISH)				
49	9L except 76	R.H.-Gold Fleck Dark Gray Metallic Finish-repl. by 8M-7003590-AP	8L 7003590	1
49	9L except 76	L.H.-Gold Fleck Dark Gray Metallic Finish-repl. by 8M-7003591-AP	8L 7003591	1
49	9L except 76	R.H.-in Prime	8M 7003590-AP	1
49	9L except 76	L.H.-in Prime	8M 7003591-AP	1
49	9L76	R.H.-Gold Fleck Dark Gray Metallic Finish-repl. by 8M-7603590-AP	8L 7603590	1
49	9L76	L.H.-Gold Fleck Dark Gray Metallic Finish-repl. by 8M-7603591-AP	8L 7603591	1
49	9L76	R.H.-in Prime	8M 7603590-AP	1
49	9L76	L.H.-in Prime	8M 7603591-AP	1
49	9L	Screw (Phillips head sheet metal)-No. 8 x 1-1/2"	350070-S13	8
49	9L	Screw (Phillips head sheet metal)-No. 8 x 1-1/4"	352189-S13	1
Group 03594 PLUG (WINDSHIELD OPENING FINISH STRIP DEFROSTER)				
49	9L		7A 7003594	4
Group 03618-9 EXTENSION (WINDSHIELD OPENING REINFORCEMENT)				
49	9L except 76	R.H.	8M 7003618	1
49	9L except 76	L.H.	8M 7003619	1
Group 04100-1 VISOR ASSEMBLY (COMPLETE)				
49	9L except 76	R.H.-M-19164-F Light Gray Headlining Cloth	8L 7204100-C	1
49	9L except 76	L.H.-M-19164-F Light Gray Headlining Cloth	8L 7204101-C	1
49	9L except 76	R.H.-M-19164-D Light Green Headlining Cloth	8L 7204100-A	1
49	9L except 76	L.H.-M-19164-D Light Green Headlining Cloth	8L 7204101-A	1
49	9L except 76	R.H.-M-19164-E Light Tan Headlining Cloth	8L 7204100-B	1
49	9L except 76	L.H.-M-19164-E Light Tan Headlining Cloth	8L 7204101-B	1

Lincoln and Lincoln Cosmopolitan

17

BODY PARTS CATALOGUE

YEAR 19	BODY TYPES	REMARKS	PART NUMBER	NO. REQ'D
Group 04100-1 VISOR ASSEMBLY (COMPLETE)-CONTINUED				
49	9L except 76	R.H.-M-19162-I Headlining Cloth	8L 7304100-A	1
49	9L except 76	L.H.-M-19162-I Headlining Cloth	8L 7304101-A	1
49	9L except 76	R.H.-M-19162-M Headlining Cloth	8L 7304100-B	1
49	9L except 76	L.H.-M-19162-M Headlining Cloth	8L 7304101-B	1
49	9L except 76	R.H.-M-19162-N Headlining Cloth	8L 7304100-C	1
49	9L except 76	L.H.-M-19162-N Headlining Cloth	8L 7304101-C	1
49	9L except 76	R.H.-M-19164-A Headlining Cloth	8L 7304100-E	1
49	9L except 76	L.H.-M-19164-A Headlining Cloth	8L 7304101-E	
49	9L except 76	R.H.-M-19164-B Headlining Cloth	8L 7304100-F	1
49	9L except 76	L.H.-M-19164-B Headlining Cloth	8L 7304101-F	1
49	9L except 76	R.H.-M-19164-C Headlining Cloth	8L 7304100-G	1
49	9L except 76	L.H.-M-19164-C Headlining Cloth	8L 7304101-G	1
49	9H except 76	R.H.-M-19163-A Headlining Cloth-without finger grip cover	8H 7304100-A	1
49	9H except 76	L.H.-M-19163-A Headlining Cloth-without finger grip cover	8H 7304101-A	1
49	9H except 76	R.H.-M-19163-B Headlining Cloth-without finger grip cover	8H 7304100-B	1
49	9H except 76	L.H.-M-19163-B Headlining Cloth-without finger grip cover	8H 7304101-B	1
49	9H except 76	R.H.-M-19163-C Headlining Cloth-without finger grip cover	8H 7304100-C	1
49	9H except 76	L.H.-M-19163-C Headlining Cloth-without finger grip cover	8H 7304101-C	1
49	9H except 76	R.H.-M-19163-D Headlining Cloth-without finger grip cover	8H 7304100-D	1
49	9H except 76	L.H.-M-19163-D Headlining Cloth-without finger grip cover	8H 7304101-D	1
49	9H except 76	R.H.-M-19163-A Headlining Cloth-with finger grip cover	8H 7304100-F	1
49	9H except 76	L.H.-M-19163-A Headlining Cloth-with finger grip cover	8H 7304101-F	1
49	9H except 76	R.H.-M-19163-H Light Gray Headlining Cloth-with finger grip cover	8H 7304100-J	1
49	9H except 76	L.H.-M-19163-H Light Gray Headlining Cloth-with finger grip cover	8H 7304101-J	1
49	9H except 76	R.H.-M-19163-E Light Green Headlining Cloth-with finger grip cover	8H 7304100-G	1
49	9H except 76	L.H.-M-19163-E Light Green Headlining Cloth-with finger grip cover	8H 7304101-G	1
49	9H except 76	R.H.-M-19163-F Light Tan Headlining Cloth-with finger grip cover	8H 7304100-H	1
49	9H except 76	L.H.-M-19163-F Light Tan Headlining Cloth-with finger grip cover	8H 7304101-H	1
49	9L76	use with Blue Leather Trim	8L 7604100	2
49	9L76	use with Green Leather Trim	8M 7604100-C	2
49	9L76	use with Red Leather Trim	8M 7604100-A	2
49	9L76	use with Tan Leather Trim	8M 7604100-B	2
49	9L except 76,9H except 76	Screw (Phillips head sheet metal)-No. 10 x 1/2"	350117-S13	6
49	9H except 76	Screw (Phillips oval hd machine pointed)-No.10-32 x 11/16"	355181-S13	6

Group 04106 VISOR ASSEMBLY

49	9H76	Blue Leather	8H 7604106-D	2
49	9H76	Light Neutral Gray Leather	8H 7604106-G	2
49	9H76	Green Leather	8H 7604106-C	2
49	9H76	Lime Green Leather	8H 7604106-F	2
49	9H76	Red Leather	8H 7604106-A	2
49	9H76	Tan Leather	8H 7604106-B	2
49	9H76	Yellow Leather	8H 7604106-E	2

Group 04110-1 ARM (VISOR BRACKET)

49	9H76	R.H.	8H 7604110	2
49	9H76	L.H.	8H 7604111	2
49	9H76	Screw (Phillips oval head)-No. 8-32 x 3/4"	355083-S13	8
49	9H76	Washer (countersunk)-No. 8	34885-S13	8

Group 04114 ROD (VISOR FRAME LOCKING END)

49	9H except 76	2-5/16" long	06H 7304114-A	2
----	--------------	--------------	---------------	---

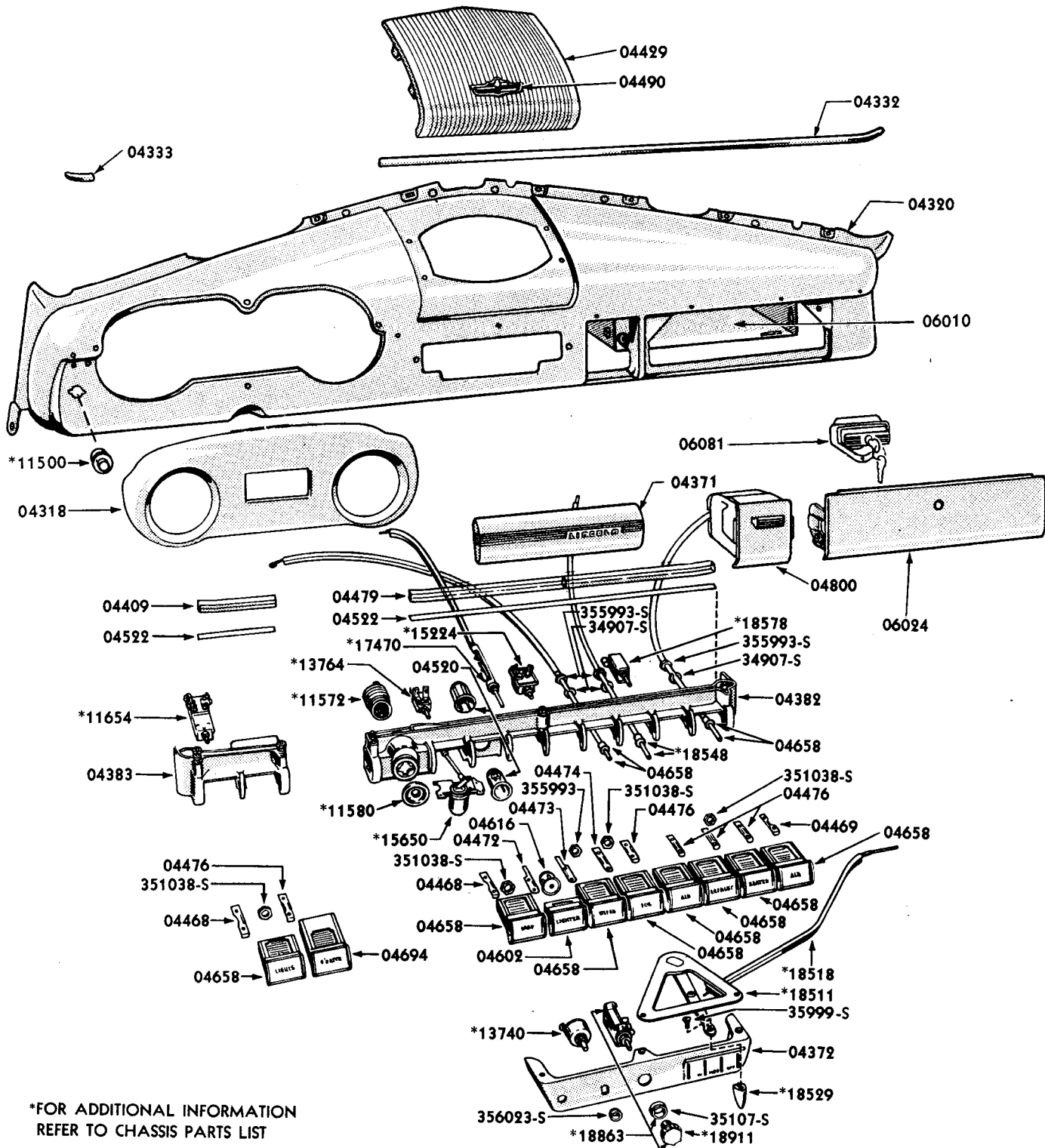
Lincoln and Lincoln Cosmopolitan

BODY PARTS CATALOGUE

YEAR 19	BODY TYPES	REMARKS	PART NUMBER	NO. REQ'D
Group 04122-3 BRACKET (VISOR ARM)				
49	9H76	R.H.	8H 7604122	2
49	9H76	L.H.	8H 7604123	2
49	9H76	Screw (Phillips oval head machine)-No. 10-32 x 5/8" bracket to arm	350141-S13	2
49	9H76	Screw (Phillips oval head machine)-No. 10-32 x 5/8"-brkt. attaching	350141-S13	2
Group 04144 ARM AND BRACKET ASSEMBLY (VISOR)				
49	9L except 76		8L 7304144	2
49	9H except 76		8H 7304144	2
Group 04308 PANEL ASSEMBLY (INSTRUMENT BOARD COVER)				
49	9H except 76	Lincoln Texture Blue Metallic-replaced by 8H-7304308-DP	8H 7304308-DAC	1
49	9H except 76	Gold Fleck Dark Gray Metallic Finish-replaced by 8H-7304308-D	8H 7304308-C	1
49	9H except 76	Lincoln Texture Green Metallic-replaced by 8H-7304308-DP	8H 7304308-DAB	1
49	9H except 76	Lincoln Texture Tan Metallic-replaced by 8H-7304308-DP	8H 7304308-DAA	1
49	9H except 76	in Prime	8H 7304308-DP	1
49	9H76	in Prime-replaced by 8H-7604308-BAD thru BAJ	8H 7604308-A	1
49	9H76	Biscay Blue Metallic	8H 7604308-BAG	1
49	9H76	Calcutta Green	8H 7604308-BAJ	1
49	9H76	Lido Green Metallic	8H 7604308-BAF	1
49	9H76	Lima Tan Metallic	8H 7604308-BAE	1
49	9H76	Royal Bronze Maroon Metallic	8H 7604308-BAD	1
49	9H76	Calabash Yellow	8H 7604308-BAH	1
49	9H	Screw (Phillips pan head)-No. 6 x 1/2"	52724-S13	2
49	9H	Screw (binding head self tapping)-No. 8 x 1/2"	32916-S8	10
Group 04315 CLIP (INSTRUMENT PANEL CLUSTER HOUSING)				
49	9H		8H 7304315	2
Group 04318 HOUSING (INSTRUMENT PANEL CLUSTER)				
49	9L	Gold Fleck Dark Gray Metallic Finish	8L 7304318-AB	1
49	9L	in Prime	8L 7304318-AP	1
49	9H except 76	Gold Fleck Dark Gray Metallic Finish	8H 7304318-B	1
49	9H	in Prime	8H 7304318-CP	1
49	9L,9H	Lockwasher (external tooth)-No. 10	34939-S2	4or5
49	9L,9H	Nut (hex)-No. 10-32	34079-S7	3
49	9L	Screw (Phillips round head)-No. 10-32	356665-S8	1
49	9H	Stud-No. 10-32-1	357670-S7	7

Lincoln and Lincoln Cosmopolitan

BODY PARTS CATALOGUE



*FOR ADDITIONAL INFORMATION
REFER TO CHASSIS PARTS LIST

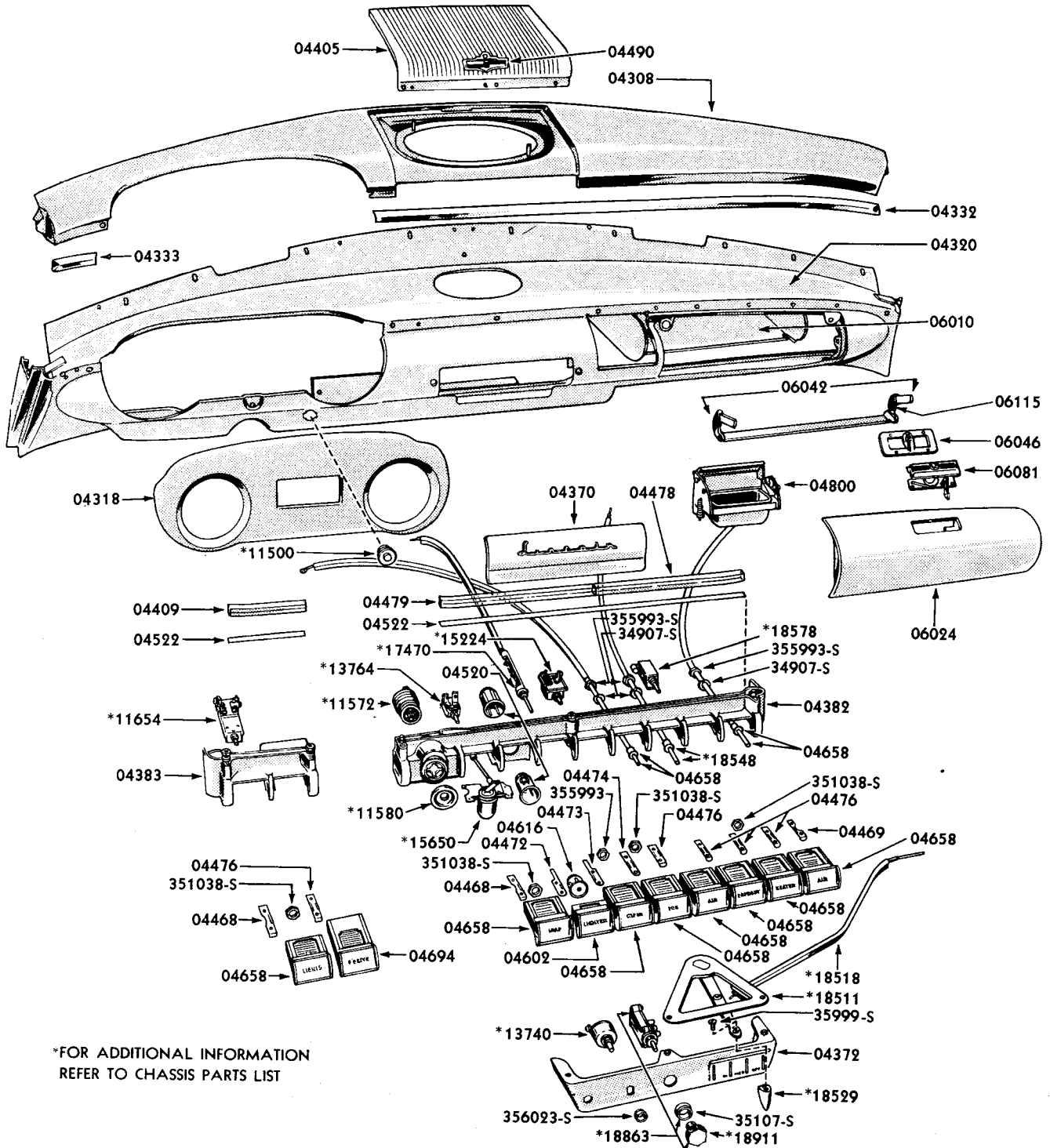
1949 LINCOLN INSTRUMENT PANEL

Group numbers only shown on illustration. Order by Part Numbers shown in list of parts.

PL-324

Lincoln and Lincoln Cosmopolitan

BODY PARTS CATALOGUE



*FOR ADDITIONAL INFORMATION REFER TO CHASSIS PARTS LIST

1949 LINCOLN COSMOPOLITAN INSTRUMENT PANEL

Group numbers only shown on illustration. Order by Part Numbers shown in list of parts.

Lincoln and Lincoln Cosmopolitan

BODY PARTS CATALOGUE

YEAR 19__	BODY TYPES	REMARKS	PART NUMBER	NO. REQ'D
Group 04320 PANEL ASSEMBLY (INSTRUMENT)				
49	9L	in Prime	8L 7304320-AP	1
49	9H	in Prime	8H 7304320-DP	1
49	9H76	Biscay Blue Metallic	8H 7304320-CAG	1
49	9H76	Calcutta Green	8H 7304320-CAJ	1
49	9H76	Lido Green Metallic-replaced by 8H-7304320-DP	8H 7304320-CAF	1
49	9H76	Lima Tan Metallic-replaced by 8H-7304320-DP	8H 7304320-CAE	1
49	9H76	Royal Bronze Maroon Metallic-replaced by 8H-7304320-DP	8H 7304320-CAD	1
49	9H76	Calabash Yellow	8H 7304320-CAH	1
49	9L	Bolt (hex head)-5/16"-10 x 5/8"	350479-S2	2
49	9L	Nut (speed)-5/16"-10	353363-A1-S32	2
49	9H	Screw and lockwasher asy (hex head)-1/4"-20 x 3/4"	42906-S8	4
49	9L	Washer (flat)-5/16"	34746-S2	2
Group 04325 STRIP (INSTRUMENT PANEL GLASS RETAINING)				
49	9H	use M-6175-E for service	7EH 7304325	2
Group 04330 STRIP (INSTRUMENT PANEL GLASS RETAINING)				
49	9H	5-1/2" long-use M-6175-F for service	7EH 7304330	2
Group 04332-3 MOULDING (INSTRUMENT PANEL TRIM)				
49	9L	R.H.	8L 7304332	1
49	9L	L.H.	8L 7304333	1
49	9H	R.H.-with radius on corners	8H 7304332	1
49	9H	L.H.-with radius on corners	8H 7304333	1
49	9H	R.H.-without radius on corners	7EH 7304332	1
49	9H	L.H.-without radius on corners	7EH 7304333	1
49	9L	Clip (retaining)	353191-S2	8
49	9H	Clip (retaining)	352356-S3	8
Group 04371 PLATE ASSEMBLY (RADIO OPENING COVER)				
49	9H	on cars without Radio	8H 7304371	1
49	9L	on cars without Radio	8L 7304371	1
49	9L,9H	Lockwasher-No. 10	34803-S7	2
49	9L,9H	Nut (hex)-No. 10-24	355836-S7	2
Group 04372 PANEL (INSTRUMENT CONTROL)-LONG-LOWER				
49	9L	10-7/8" long	8L 7004372	1
49	9H		8L 7004372	1
49	9L,9H	Lockwasher-No. 10	34939-S2	3
49	9L72-74	Washer (rubber)	356218-S	3
Group 04373 CLIP (INSTRUMENT PANEL MOULDING)				
49	9H	replaced by 358117-S3	8H 7304373	8
49	9H	Clip-moulding retainer	358117-S3	8

Lincoln and Lincoln Cosmopolitan

BODY PARTS CATALOGUE

YEAR 19	BODY TYPES	REMARKS	PART NUMBER	NO. REQ'D
Group 04382 PANEL (INSTRUMENT CONTROL)-LONG				
49	9L,9H		8L 7004382	1
49	9L,9H	Lockwasher (external tooth)-1/4"	34940-S2	3
49	9L,9H	Nut (hex)-1/4"-20-control panel to instrument panel	34055-S2	3
49	9L,9H	Nut (hex)-7/16"-28	351038-S8	2
49	9L,9H	Screw (binding head)-No. 8	33169-S7	1
49	9L,9H	Screw (socket head set)-No. 8-32 x 5/16"-control panel to reflector	350009-S8	2
49	9L,9H	Screw (round head)-No. 12-24 x 5/16"	350228-S8	1
49	9L,9H	Screw (hex head)-No. 10-32 x 3/8"	355137-S8	3
Group 04383 PANEL (INSTRUMENT CONTROL)-SHORT				
49	9L		8L 7004383	1
49	9H		8H 7004383	1
49	9L,9H	Lockwasher (external tooth)-1/4"	34940-S2	2
49	9L,9H	Nut (hex)-1/4"-20-control panel to instrument panel	34055-S2	2
49	9L,9H	Nut (hex)-1/2"-20-control panel to instrument panel	351052-S8	1
49	9L,9H	Screw (socket head set)-No. 8-32 x 5/16"-control panel to reflector	350009-S8	1
Group 04394 CLIP (INSTRUMENT BOARD COVER PANEL RETAINER)				
49	9H		7EH 7304394	4
Group 04399 ANTI-SQUEAK (HAND BRAKE BRACKET)				
49	9H		8H 7304399	1
49	9L72-74		8M 7004399	1
Group 04409 REFLECTOR (INSTRUMENT CONTROL PANEL LIGHT)-SHORT				
49	9L,9H	4" overall length	8L 7004409	1
Group 04416 CLIP (RADIO OPENING COVER RETAINER)				
49	9L,9H		8L 7304416	2
Group 04423 ANTI RATTLE (RADIO GRILLE REINFORCEMENT)				
49	9L		8L 7304423-A	2
49	9H		7EH 7304423	4
Group 04425 ANTI RATTLE (RADIO GRILLE)				
49	9L		8L 7304425	1
49	9H		7EH 7304425	1
Group 04429 GRILLE (RADIO)-LESS ORNAMENT				
49	9L	in Prime	8L 7304429-AP	1
49	9H	in Prime	7EH 7304429-AP	1
49	9L	Screw (binding head self tapping)-No. 6 x 3/8"	32914-S2	4
Group 04429 EXTENSION ASSEMBLY (RADIO RECEIVER SUPPORT)				
49	9L		8M 7004429	1
Group 04432 GRILLE (RADIO)				
49	9L	replaced by one each 8L-7304429-AP, 8L-7004490 and 353362-S23	8L 7304432-AB	1

Lincoln and Lincoln Cosmopolitan

23

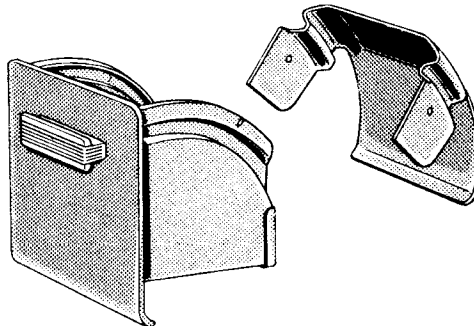
BODY PARTS CATALOGUE

YEAR 19	BODY TYPES	REMARKS	PART NUMBER	NO. REQ'D
Group 04468 RETAINER (INSTRUMENT CONTROL PANEL MAP AND LIGHT TRAYS)				
49	9L,9H		8L 7004468-A	2
Group 04469 RETAINER (INSTRUMENT CONTROL PANEL AIR CONTROL TRAY)				
49	9L,9H		8L 7004469	1
Group 04472 RETAINER (INSTRUMENT CONTROL PANEL MAP LIGHT TRAY)				
49	9L,9H		8L 7004472	1
Group 04473 RETAINER (INSTRUMENT CONTROL PANEL WINDSHIELD WIPER TRAY)				
49	9L,9H	L.H.	8L 7004473	1
Group 04474 RETAINER (INSTRUMENT CONTROL PANEL WINDSHIELD WIPER TRAY)				
49	9L,9H	R.H.	8L 7004474	1
Group 04476 RETAINER (INSTRUMENT CONTROL PANEL TRAY)				
49	9L,9H		8L 7004476	6
Group 04478-9 REFLECTOR (INSTRUMENT CONTROL PANEL LIGHT)-LONG				
49	9L,9H	R.H.-8-1/2" long	8L 7004478	1
49	9L,9H	L.H.-8-1/2" long	8L 7004479	1
Group 04486 SHIELD (INSTRUMENT CONTROL PANEL LIGHT REFLECTOR)				
49	9L,9H		8L 7004486	4
Group 04490 ORNAMENT ASSEMBLY (INSTRUMENT PANEL RADIO GRILLE)				
49	9L		8L 7004490	1
49	9H		8H 7304490	1
49	9L,9H	Speednut	353362-823	2
Group 04522 FILTER (INSTRUMENT CONTROL PANEL LIGHT)				
49	9L,9H	17" long	8L 7004522-A	1
49	9L,9H	4" long	8L 7004522-B	1
Group 04524-5 GASKET (INSTRUMENT CONTROL PANEL REFLECTOR)				
49	9L,9H	Long	8L 7304524	1
49	9L,9H	Short	8L 7304525	1
Group 04602 KNOB (FRONT SEAT BACK CIGAR LIGHTER)				
49	9H		8H 7304602-A	1or2
49	9L		8L 7004602-B	1or2
Group 04602 TRAY ASSEMBLY (INSTRUMENT CONTROL PANEL LIGHTER)				
49	9L,9H		8L 7004602-A	1
Group 04603 KIT (CIGAR LIGHTER ELEMENT)				
49	9L,9H	contains 12 51A-7004616-A1 Casco Cigar Lighter Elements	8H 7004603	1
Group 04610 KNOB AND ELEMENT ASSEMBLY (FRONT SEAT BACK CIGAR LIGHTER)				
49	9H		8H 7304610-A	1or2
49	9L		8L 7004610-B	1or2

Lincoln and Lincoln Cosmopolitan

BODY PARTS CATALOGUE

YEAR 19__	BODY TYPES	REMARKS	PART NUMBER	NO. REQ'D
Group 04610 TRAY AND ELEMENT ASSEMBLY (CIGAR LIGHTER)				
49	9L,9H	replaced by 1 each 8L-7004602-A Tray and 51A-7004616-A Element Assy	8L 7004610-A	1
49	9L,9H	Lockwasher (external tooth)-No. 12	34927-S7	1
49	9L,9E	Screw (round head)-No. 12-28 x 5/16"	350228-S8	1
Group 04616 ELEMENT ASSEMBLY (CIGAR LIGHTER)				
49	9L,9H		51A 7004616-A	1or3
Group 04620 BODY AND SOCKET ASSEMBLY (LIGHTER)				
49	9L,9H	Automatic	8A 7004620-A	2or3
Group 04649 RETAINER (INSTRUMENT CONTROL PANEL TRAY INSERT AND REFLECTOR)				
49	9L,9H		8L 7004649	10
Group 04658 TRAY ASSEMBLY (INSTRUMENT CONTROL PANEL)				
49	9L,9H	Windshield Wiper	8L 7004658-A	1
49	9L,9H	Map Light	8L 7004658-B	1
49	9L,9H	Air Control	8L 7004658-C	2
49	9L,9H	Defrost	8L 7004658-D	1
49	9L,9H	Heater	8L 7004658-E	1
49	9L,9H	Fog Light	8L 7004658-F	1
49	9L,9H	Headlight	8L 7004658-G	1
49	9L,9H	Screw (socket head set)-No. 8-32 x 5/16"	350009-S8	8
Group 04686 RETAINER (INSTRUMENT CONTROL PANEL IGNITION SWITCH INSERT)				
49	9L,9H	1-1/4" O.D.	8L 7004686	1
Group 04688 INSERT (INSTRUMENT CONTROL PANEL IGNITION SWITCH)				
49	9L,9H	2-3/4" long	8L 7004688	1
Group 04694 TRAY ASSEMBLY (INSTRUMENT CONTROL PANEL)				
49	9L,9H	Overdrive	8L 7004694-A	1
49	9L,9H	use on cars with HYDRA-MATIC Transmission	8L 7004694-B	1
49	9L,9H	Screw (socket head set)-No. 8-32 x 5/16"	350009-S8	1



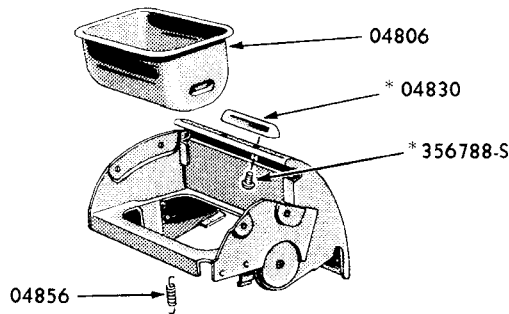
8L-7004800

PL-331

LINCOLN INSTRUMENT PANEL ASH RECEPTACLE AND RETAINER

Lincoln and Lincoln Cosmopolitan

BODY PARTS CATALOGUE



8H-7304810

* NOT INCLUDED IN 8H-7304810

PL-330

LINCOLN COSMOPOLITAN INSTRUMENT PANEL ASH RECEPTACLE AND RETAINER

Group numbers only shown on illustration. Order by Part Numbers shown in list of parts.

YEAR 19__	BODY TYPES	REMARKS	PART NUMBER	NO. REQ'D
Group 04800 RECEPTACLE AND RETAINER ASSEMBLY (INSTRUMENT PANEL ASH)				
49	9L	Gold and Gray Shield Grain	8L 7004800-B	1
49	9L	Gold Tone Finish	8L 7004800-C	1
49	9L	Lincoln Texture Blue Metallic Finish-replaced by 8L-7004800-AP	8L 7004800-E	1
49	9L	Lincoln Texture Tan Metallic Finish-replaced by 8L-7004800-AP	8L 7004800-F	1
49	9L	in Prime	8L 7004800-AP	1
49	9H	Jewel Tone Finish	8H 7304800-B	1
49	9H72-74	Lincoln Texture Blue Metallic Finish-replaced by one each 8H-7304810-AP, 8H-7304830-D and two each 356788-S8	8H 7304800-BAC	1
49	9H72-74	Lincoln Texture Green Metallic Finish-replaced by one each 8H-7304810-AP, 8H-7304830-C and two each 356788-S8	8H 7304800-BAB	1
49	9H72-74	Lincoln Texture Tan Metallic Finish-replaced by one each 8H-7304810-AP, 8H-7304830-B and two each 356788-S8	8H 7304800-BAA	1
49	9H76	Biscay Blue Metallic Finish-replaced by one each 8H-7304810-AP, 8H-7304830-D and two each 356788-S8	8H 7304800-BAG	1
49	9H76	Calabash Yellow Finish-replaced by one each 8H-7304810-AP, 8H-7304830- and two each 356788-S8	8H 7304800-BAH	1
49	9H76	Calcutta Green Finish-replaced by one each 8H-7304810-AP, 8H-7304830-C and two each 356788-S8	8H 7304800-BAJ	1
49	9H76	Lido Green Metallic Finish-replaced by one each 8H-7304810-AP, 8H-7304830-C and two each 356788-S8	8H 7304800-BAF	1
49	9H76	Lima Tan Metallic Finish-replaced by one each 8H-7304810-AP, 8H-7304830-B and two each 356788-S8	8H 7304800-BAC	1
49	9H76	Royal Bronze Maroon Metallic Finish-replaced by one each 8H-7304810-AP, 8H-7304830-B and two each 356788-S8	8H 7304800-BAD	1
49	9H76	Blue Convertible Interior Lacquer	8H 7304800-BAM	1
49	9H76	Green Metallic Convertible Interior Lacquer	8H 7304800-BAL	1
49	9H76	Lime Green Convertible Interior Lacquer	8H 7304800-BAQ	1
49	9H76	Red Metallic Convertible Interior Lacquer	8H 7304800-BAK	1
49	9H76	Yellow Convertible Interior Lacquer	8H 7304800-BAN	1
49	9L	Screw (binding head self tapping)-No. 8 x 1/4"	33169-S7	2
49	9H	Screw (flat head self tapping)-No. 6 x 1/4"	33037-S8	4
49	9L72-74	Screw (pan head self tapping)-No. 8 x 3/8"	52720-S8	2

Lincoln and Lincoln Cosmopolitan

BODY PARTS CATALOGUE

YEAR 19	BODY TYPES	REMARKS	PART NUMBER	NO. REQ'D
Group 04806 BOX AND SNUFFER ASSEMBLY (INSTRUMENT PANEL ASH)				
49	9H		8H 7304806	1
Group 04810 RECEPTACLE AND RETAINER ASSEMBLY (INSTRUMENT PANEL ASH) LESS HANDLE				
49	9H	in Prime	8H 7304810-AP	1
Group 04830 HANDLE (INSTRUMENT PANEL ASH RECEPTACLE DOOR)				
49	9L	Chrome finish	8L 7004830	1
49	9H	Blue Semi Transparent Plastic	8H 7304830-D	1
49	9H	Gold Fleck Gray Finish	8H 7304830-A	1
49	9H	Green Semi Transparent Plastic	8H 7304830-C	1
49	9H	Tan Semi Transparent Plastic	8H 7304830-B	1
49	9H	Screw (round head-Phillips)-No. 6-32 x 18	356788-S8	2
Group 04856 SPRING (INSTRUMENT PANEL ASH RECEPTACLE DOOR)				
49	9H		8H 7304856	2
Group 06010 BOX ASSEMBLY (GLOVE COMPARTMENT)				
49	9H		7EH 7306010	1
49	9L		8L 7306010	1
49	9L	Screw (binding head self tapping)-No. 8 x 3/8"	32916-S8	6
49	9L	Screw (Phillips binding head)-No. 10 x 1/2"	52727-S8	6
49	9H	Screw (Phillips round head)-No. 10 x 1/4"	52214-S8	1
Group 06024 DOOR ASSEMBLY (GLOVE COMPARTMENT)				
49	9H		8H 7306024	1
49	9L	in Prime	8L 7306024-AP	1
49	9H	Screw and Washer assy (binding head)-No. 8-32 x 3/8"	43373-S7	4
49	9L	Screw and lockwasher assy (binding head)-No. 8-32 x 5/16"- hinge to glove compartment	350007-S7	2
49	9L	Screw and lockwasher assy (binding head)-No. 8-32 x 5/16"- hinge to glove compartment door	350007-S7	2
49	9L	Washer (flat)-No. 8	34702-S7	2
Group 06042 HINGE ASSEMBLY (GLOVE COMPARTMENT DOOR)				
49	9H		8H 7306042	1
49	9H	Nut (hex head)-No. 8-32	34052-S7	2
49	9H	Screw (headless set)-1/4"-28 x 5/16"-hinge to door	89582-S	4
49	9L74,9H	Screw-No. 8-32 x 1/2"	352950-S8	2
49	9H	Washer (flat)-No. 10	34703-S7	4
49	9H	Washer-17/64" x 29/64"	356255-S	2
Group 06046 PLATE (GLOVE COMPARTMENT DOOR LOCK COVER)				
49	9H	in Prime	8H 7306046-AP	1

Lincoln and Lincoln Cosmopolitan

BODY PARTS CATALOGUE

YEAR 19__	BODY TYPES	REMARKS	PART NUMBER	NO. REQ'D
Group 06064 PLATE (GLOVE COMPARTMENT DOOR LOCK STRIKER)				
49	9L	Flat surface 3/4" long	8L 7306064	1
49	9H	Flat surface 1-1/32" long	8H 7306064	1
49	9L	Screw (Phillips binding head)-No. 6 x 1/4"	356776-S7	2
Group 06066 BUMPER (GLOVE COMPARTMENT DOOR)				
49	9L	Rubber-replaced by 357811-S	91A 7006066	1
49	9H	Rubber	8H 7306066	2
Group 06066 BUMPER (QUARTER PANEL FUEL TANK LID)				
49	9L		01C 8106066-A	2
Group 06081 LOCK ASSEMBLY (GLOVE COMPARTMENT DOOR)				
49	9L	with Keys-paint to match	8L 7006081	1
49	9H	with Keys-paint to match	8H 7006081	1
49	9L	Screw (binding head sheet metal)-No. 6 x 1/4"-lock to instrument panel	356776-S7	3
Group 06115 BUMPER (GLOVE COMPARTMENT DOOR HINGE)				
49	9H		8H 7306115	2
Group 10110-1 MEMBER ASSEMBLY (FLOOR SIDE)				
49	9L74	R.H.	7A 7010110	1
49	9L74	L.H.	7A 7010111	1
49	9L76	R.H.	7A 7610110	1
49	9L76	L.H.	7A 7610111	1
49	9H72	R.H.	8H 7210110	1
49	9H72	L.H.	8H 7210111	1
49	9H73-74	R.H.-without depression for center body pillar	7EH 7310110	1
49	9H73-74	L.H.-without depression for center body pillar	7EH 7310111	1
49	9H73-74	R.H.-with depression for center body pillar	8H 7310110	1
49	9H73-74	L.H.-with depression for center body pillar	8H 7310111	1
49	9H76	R.H.	8H 7610110	1
49	9H76	L.H.	8H 7610111	1
Group 10118-9 MEMBER AND TRIM RETAINER ASSEMBLY (FLOOR SIDE)				
49	9L72	R.H.	7A 7010118	1
49	9L72	L.H.	7A 7010119	1
Group 10128-9 PANEL ASSEMBLY (BODY ROCKER)				
49	9L72	R.H.	8M 7010128	1
49	9L72	L.H.	8M 7010129	1
49	9L74	R.H.	8M 7310128	1
49	9L74	L.H.	8M 7310129	1
49	9L76	R.H.	8M 7610128	1
49	9L76	L.H.	8M 7610129	1
49	9L	Washer (flat)-5/16"	34706-S2	2
Group 10130-1 PANEL (BODY ROCKER)				
49	9L72	R.H.	7A 7010130	1
49	9L72	L.H.	7A 7010131	1
49	9H72	R.H.	8H 7210130	1
49	9H72	L.H.	8H 7210131	1
49	9H73-74	R.H.	7EH 7310130	1
49	9H73-74	L.H.	7EH 7310131	1
49	9H76	R.H.	8H 7610130	1
49	9H76	L.H.	8H 7610131	1

Lincoln and Lincoln Cosmopolitan

BODY PARTS CATALOGUE

YEAR 19	BODY TYPES	REMARKS	PART NUMBER	NO. REQ'D
Group 10282-3 REINFORCEMENT ASSEMBLY (FRONT FLOOR PAN BODY BOLT #4)				
49	9H except 76	R.H.	7EH 7310282	1
49	9H except 76	L.H.	7EH 7310283	1
49	9H76	R.H.-with case nut attached	8H 7610282-A	1
49	9H76	L.H.-with case nut attached	8H 7610283-A	1
49	9H76	R.H.-without case nut	8H 7610282-B	1
49	9H76	L.H.-without case nut	8H 7610283-B	1
49	9H	Nut-3/8"-24	34445-S7	2
49	9H76	Nut-Retainer-5/16"	353202-S	2
Group 10290-1 REINFORCEMENT ASSEMBLY (FRONT FLOOR PAN BODY BOLT #1)				
49	9H except 76	R.H.	7EH 7310290	1
49	9H except 76	L.H.	7EH 7310291	1
49	9H76	R.H.-with case nut attached	8H 7610290-A	1
49	9H76	L.H.-with case nut attached	8H 7610291-A	1
49	9H76	R.H.-without case nut	8H 7610290-B	1
49	9H76	L.H.-without case nut	8H 7610291-B	1
49	9H	Nut-3/8"-24	34445-S7	2
49	9H	Nut-Retainer-5/16"	353202-S	8
Group 10292-3 REINFORCEMENT ASSEMBLY (FRONT FLOOR PAN BODY BOLT #2)				
49	9H	R.H.	7EH 7310292	1
49	9H	L.H.	7EH 7310293	1
Group 10602-3 REINFORCEMENT ASSEMBLY (FRONT FLOOR PAN BODY BOLT #3)				
49	9H except 76	R.H.	7EH 7310602	1
49	9H except 76	L.H.	7EH 7310603	1
49	9H76	R.H.-with case nut attached	8H 7610602-A	1
49	9H76	L.H.-with case nut attached	8H 7610603-A	1
49	9H76	R.H.-without case nut	8H 7610602-B	1
49	9H76	L.H.-without case nut	8H 7610603-B	1
49	9H	Nut-3/8"-24	34110-S	2
49	9H	Nut-Retainer-5/16"	353202-S	8
Group 10698 MEMBER ASSEMBLY (FRONT FLOOR CROSS MEMBER)-REAR				
49	9L		8M 7010698	1
Group 11100 PAN AND SIDE MEMBER ASSEMBLY (FLOOR FRONT)				
49	9H76	with case nuts attached to reinforcements	8H 7611100-A	1
49	9H76	without case nuts attached to reinforcements	8H 7611100-C	1
Group 11126 PLATE (DASH PEDAL OPENING)				
49	9L,9H	Standard Transmission	8H 7311126-A	1
49	9L except 76,9H	HYDRA-MATIC Transmission	8H 7311126-B	1
49	9H	Screw (binding head-sheet metal)-No. 10 x 3/8"	32917-S7	10
49	9H	Screw (binding head type "Z")-No. 10 x 3/8"	33177-S7	10

Lincoln and Lincoln Cosmopolitan

BODY PARTS CATALOGUE

YEAR 19__	BODY TYPES	REMARKS	PART NUMBER	NO. REQ'D
Group 11134-5 PAN AND REINFORCEMENT ASSEMBLY (FLOOR FRONT)				
49	9L except 76		8M 7011135	1
49	9L76		8M 7611135	1
49	9H73		△8H 7311134-A	1
49	9H except 76		*8H 7311134-B	1
49	9H except 76		8H 7311134-D	1
49	9L	Bolt (hex head)-1/4"-28	20325-S7	4
49	9L	Lockwasher (heavy)-1/4"	34845-S2	4
49	9L	Plug (button)-for 13/16" diameter hole	352372-S8	as req'd
Group 11166 SILENCER (FLOOR PAN)				
49	9L	Center	8M 7011166	1
49	9L	Front	8M 7011172	1
Group 11166-7 SILENCER (FLOOR PAN)-FRONT				
49	9H	R.H.	8H 7311166	1
49	9H	L.H.	8H 7311167	1
Group 11172-3 SILENCER (FLOOR PAN)-FRONT				
49	9L	one piece type	8M 7011172	1
49	9L except 76	R.H.	8L 7211172	1
49	9L except 76	L.H.	8L 7211173	1
Group 11172-3 SILENCER (FLOOR PAN CENTER)-FRONT				
49	9H	R.H.	8H 7311172	1
49	9H	L.H.	8H 7311173	1
Group 11184 SPACER (FLOOR PAN TO FRAME)				
49	9H76	1-3/4" square x 1/2" thick 9/16" center dia. hole-repair locally	51A 7011184	4
Group 11202-3 PAD (FLOOR PAN)-CENTER				
49	9L except 76		△8L 7311202	1
49	9L76		△8L 7611202	1
49	9H73-74	R.H.	8H 7311202-A	1
49	9H73-74	L.H.	8H 7311203-A	1
49	9H except 76	R.H.	*8H 7311202-C	1
49	9H except 76	L.H.	*8H 7311203-C	1
49	9H76	R.H.	8H 7611202-B	1
49	9H76	L.H.	8H 7611203-B	1
49	9H76	R.H.	*8H 7611202-C	1
49	9H76	L.H.	*8H 7611203-C	1
Group 11215 PAN ASSEMBLY (FLOOR)-REAR				
49	9L72-74		8M 7011215-A	1
49	9L76	replaced by 8M-7611216	8M 7611215-B	1
49	9L	Plug (button)-for 13/16" diameter hole	352372-S8	as req'd

△ Used on cars having front seat with metal stationary foot rest welded to seat frame.

* Used on cars having front seat with adjustable foot rest or stationary foot rest bolted to seat frame.

Lincoln and Lincoln Cosmopolitan

BODY PARTS CATALOGUE

YEAR 19	BODY TYPES	REMARKS	PART NUMBER	NO. REQ'D
Group 11216 PAN ASSEMBLY (FLOOR)-REAR				
49	9H72		8H 7211216-B	1
49	9H73-74	reinforcement has 3/8" hole 12" from end	8H 7311216-B	1
49	9H73	reinforcement has 1/2" hole 7-1/2" from end	8H 7311216-E	1
49	9H76	reinforcement has 3/8" hole 12" from end	8H 7611216-B	1
49	9E76	reinforcement has 1/2" hole 7-1/2" from end	8H 7611216-E	1
49	9H	Plug (button)-for 1.25" diameter hole	353058-S8	4
Group 11216 PAN AND BACK PANEL ASSEMBLY (FLOOR)-REAR				
49	9L except 76		8M 7211216-B	1
49	9L76		8M 7611216-B	1
Group 11250-1 EXTENSION (FLOOR PAN SIDE)-REAR				
49	9H	R.H.	7EH 7311250	1
49	9H	L.H.	7EH 7311251	1
Group 11252-3 EXTENSION (REAR FLOOR SIDE)-REAR				
49	9L	R.H.	7A 7011252	1
49	9L	L.H.	7A 7011253	1
Group 11290 COVER (FLOOR PAN REAR GAS GAUGE)				
49	9L		21A 7011290	2
49	9H		8H 7311290	1
49	9H	Screw (binding head self tapping)-No. 10 x 3/8"	33177-S7	1
49	9L	Scsrew (binding head Sheet Metal)-No. 10 x 3/8"	32917-S7	1
Group 11291 REINFORCEMENT (REAR FLOOR PAN BODY BOLT #5)				
49	9H	3/8" hole 12" from end of reinforcement	7EH 7311291	1
49	9H	1/2" hole 7-1/2" from end of reinforcement	8H 7311291	1
Group 11329 BUMPER (FLOOR PAN TO REAR AXLE)				
49	9L72-74		8M 7311329	1
Group 11334 CLIP (FLOOR PAN TO OUTER TRIM PANEL)-LOCATING				
49	9H76		8H 7611334	2
Group 11448-9 PAD (FLOOR PAN)-FRONT				
49	9L	R.H.-replaced by 8L-7313018-G, 8L-7313018-H and 8L-7313018-J	●8L 7311448-B	1
49	9L	L.H.-replaced by 8L-7313018-G, 8L-7313018-H and 8L-7313018-J	●8L 7311449-B	1
49	9L	R.H.-replaced by 8L-7313018-K, 8L-7313018-L and 8L-7313018-M	●8L 7311448-C	1
49	9L	L.H.-replaced by 8L-7313018-K, 8L-7313018-L and 8L-7313018-M	●8L 7311449-C	1
49	9H	R.H.	△8H 7311448-B	1
49	9H	L.H.	△8H 7311449-B	1
49	9H	R.H.-replaced by 8H-7313018-H, 8H-7313018-J and 8H-7313018-K	*8H 7311448-C	1
49	9H	L.H.-replaced by 8H-7313018-H, 8H-7313018-J and 8H-7313018-K	*8H 7311449-C	1
Group 11454 SILENCER (FLOOR PAN)-REAR				
49	9L72-74		8M 7011454	1
49	9L76		8M 7611454	1

△ Used on cars having front seat with metal stationary foot rest welded to seat frame.

● Used on cars having front seat without foot rest.

* Used on cars having front seat with adjustable foot rest or stationary foot rest bolted to seat frame.

Lincoln and Lincoln Cosmopolitan

BODY PARTS CATALOGUE

YEAR 19	BODY TYPES	REMARKS	PART NUMBER	NO. REQ'D
Group 11464-5 SILENCER (FRONT FLOOR PAN)				
49	9H	R.H.	8H 7311464-B	1
49	9H	L.H.-replaced by 8H-7311465-C	8H 7311465-B	1
49	9H	L.H.-Standard Transmission-two pedal holes	8H 7311465-C	1
49	9H	L.H.-HYDRA-MATIC Transmission-one pedal hole	8H 7311465-D	1
Group 11520 SPACER (BODY TO FRAME)				
49	9L,9H		8A 7011520	as req'd
Group 12108 PLATE ASSEMBLY (FRONT FLOOR TRANSMISSION COVER)				
49	9H		8H 7312108-A	1
49	9H	Lockwasher-5/16"	34846-S2	1
49	9H	Screw and lockwasher assy (hex head)-1/4"-20 x 3/4"	42906-S8	as req'd
49	9H	Screw and washer assy (hex) 1/4"-20 x 7/8"	43261-S8	1
Group 12115 PLATE ASSEMBLY (FLOOR TRANSMISSION COVER)				
49	9L	Width of Tunnel at Front 10-1/2"	8M 7012115-A	1
49	9L	Width of Tunnel at Front 15"	8M 7012115-B	1
49	9L	Lockwasher-5/16"	34846-S2	1
49	9L	Screw (hex head self tapping)-No. 14 x 1/2"	31519-S7	5
49	9L	Washer (flat)-1/4"	34705-S2	24
Group 12116 GASKET (FLOOR TRANSMISSION COVER PLATE)-FRONT				
49	9L		8M 7012116	1
49	9H		7EH 7312116	1
Group 12118 SILENCER (FLOOR TRANSMISSION COVER PLATE)				
49	9H	Standard Transmission	8H 7312118-A	1
Group 12121 GASKET (FLOOR TRANSMISSION COVER PLATE)-REAR				
49	9L		8M 7012121	1
49	9H		7EH 7312121	1
Group 12122 GASKET (FLOOR TRANSMISSION COVER PLATE)-SIDE				
49	9L		8M 7012122	2
49	9H		7EH 7312122	2
Group 12129 COVER (TRANSMISSION BAND ADJUSTMENT) ACCESS HOLE				
49	9L,9H	6" overall length	8H 7312129	1
Group 12130 PAD (TRANSMISSION COVER)-CENTER				
49	9H		8H 7312130	1
Group 12133 PLATE (TRANSMISSION COVER FILLER HOLE)				
49	9L		8L 7212133	1

Lincoln and Lincoln Cosmopolitan

BODY PARTS CATALOGUE

YEAR 19	BODY TYPES	REMARKS	PART NUMBER	NO. REQ'D
Group 12138 WEATHER SEAL (DASH PANEL PEDAL OPENING)				
49	9L,9H		7EH 7312138	1
Group 12156 WEATHER SEAL (STEERING COLUMN TO DASH COVER)				
49	9L		8M 7012156-A	2
Group 12156 WEATHERSTRIP (STEERING COLUMN DASH COVER PLATE)				
49	9H		7EH 7312156	1
Group 12162 PAD (FLOOR TRANSMISSION COVER PLATE)				
49	9H	32-3/4" long	8H 7312162-A	1
Group 12163 SILENCER (TRANSMISSION COVER)-REAR				
49	9H		7EH 7312163	1
Group 12182 SILENCER (TRANSMISSION COVER)-FRONT				
49	9L		8L 7212182	1
49	9H		8H 7312182-B	1
Group 12183 SILENCER (REAR FLOOR TUNNEL)				
49	9H		8H 7312183	1
Group 12184 SILENCER (TRANSMISSION COVER)-CENTER				
49	9H	21-9/16" high 25" wide	8H 7312184-A	1
49	9H	20-13/16" high 25-19/64" wide	8H 7312184-B	1
Group 12296-8 SPACER (BODY TO FRAME KICK UP)				
49	9H	front-Rubber-1-1/2" O.D.-1-3/32" thick	7EH 7312296	2
49	9H	rear-Rubber-1-51/64" O.D.-1/2" thick	7EH 7312298	2or10
Group 12298 SPACER (BODY TO FRAME)-REAR				
49	9L	Rubber-1-51/64" O.D.-59/64" thick	21A 7012298-A	4
Group 12298 SPACER (BODY TO FRAME)				
49	9L76	Metal-1-1/2" O.D.-3/8" thick	8M 7612298	2
Group 12320 SPACER (BODY TO FRAME)-FRONT				
49	9L	Rubber-1-51/64" O.D.-11/16" thick	21A 7012320-A	4
Group 12320 SPACER (BODY TO FRAME)				
49	9H	Rubber-1-51/64" O.D.-11/16" thick	7EH 7312320	4or16
Group 12322 ANTI SQUEAK (BODY TO FRAME)				
49	9L76	1-13/64" O.D.-13/32" thick	8M 7612322-A	3
49	9L76	1-3/4" O.D.-39/64" thick	8M 7612322-C	2
49	9L76	Screw (hex washer head self tapping)-1/4" x 1/2"	39881-S7	4
Group 12324 SPACER (BODY TO FRAME)				
49	9L76	Metal-1-1/2" O.D.-11/16" thick	8M 7612324-A	2
49	9L76	Metal-1-1/2" O.D.-39/64" thick	8M 7612324-B	6
49	9L76	Metal-1-1/2" O.D.-33/64" thick	8M 7612324-C	2

Lincoln and Lincoln Cosmopolitan

BODY PARTS CATALOGUE

YEAR 19	BODY TYPES	REMARKS	PART NUMBER	NO. REQ'D
Group 13002 CARPET AND BINDING ASSEMBLY (FRONT FLOOR)-CENTER				
49	9L except 76	for 10-1/2" wide tunnel-use with Blue Bedford Cord Scheme	△8L 7313002-C	1
49	9L except 76	for 15" wide tunnel-use with Blue Bedford Cord Scheme	△8L 7313002-F	1
49	9L except 76	for 10-1/2" wide tunnel-use with Gray Birdseye Broadcloth Scheme	△8L 7313002-A	1
49	9L except 76	for 15" wide tunnel-use with Gray Birdseye Broadcloth Scheme	△8L 7313002-D	1
49	9L except 76	for 10-1/2" wide tunnel-use with Yellow Check Broadcloth Scheme	△8L 7313002-B	1
49	9L except 76	for 15" wide tunnel-use with Yellow Check Broadcloth Scheme	△8L 7313002-E	1
49	9L76	for 10-1/2" wide tunnel-use with Blue Leather and Cord Trim	△8L 7613002-D	1
49	9L76	for 15" wide tunnel-use with Blue Leather and Cord Trim	△8L 7613002-H	1
49	9L76	for 10-1/2" wide tunnel-use with Green Leather and Cord Trim	△8L 7613002-C	1
49	9L76	for 15" wide tunnel-use with Green Leather and Cord Trim	△8L 7613002-G	1
49	9L76	for 10-1/2" wide tunnel-use with Red Leather and Cord Trim	△8L 7613002-A	1
49	9L76	for 15" wide tunnel-use with Red Leather and Cord Trim	△8L 7613002-E	1
49	9L76	for 10-1/2" wide tunnel-use with Tan Leather and Cord Trim	△8L 7613002-B	1
49	9L76	for 15" wide tunnel-use with Tan Leather and Cord Trim	△8L 7613002-F	1
49	9H	use with Blue and Rust Tweed, Blue Pin Stripe Broadcloth Scheme, and Blue Leather Trim	△8H 7313002-D	1
49	9H	use with Brown Stripe Broadcloth Scheme, and Red, Tan, or Yellow Leather Trim	△8H 7313002-E	1
49	9H	use with Green Birdseye Broadcloth Scheme, and Green or Lime Green Leather Trim	△8H 7313002-F	1
Group 13018 CARPET AND BINDING ASSEMBLY (FRONT FLOOR)-ONE PIECE DESIGN				
49	9L	with pad for HYDRA-MATIC Transmission-use with Gray Wide Stripe Broadcloth Scheme	8L 7213018-C	1
49	9L	with pad for Standard Transmission-use with Gray Wide Stripe Broadcloth Scheme	8L 7213018-F	1
49	9L	with pad for HYDRA-MATIC Transmission-use with Green Wide Stripe Broadcloth Scheme	8L 7213018-A	1
49	9L	with pad for Standard Transmission-use with Green Wide Stripe Broadcloth Scheme	8L 7213018-D	1
49	9L	with pad for HYDRA-MATIC Transmission-use with Tan Wide Stripe Broadcloth Scheme	8L 7213018-B	1
49	9L	with pad for Standard Transmission-use with Tan Wide Stripe Broadcloth Scheme	8L 7213018-E	1
49	9L except 76	with pad-for 10-1/2" wide tunnel-use with Blue Bedford Cord Scheme-One Tone Carpet	●8L 7313018-J	1
49	9L except 76	with pad-for 15" wide tunnel-use with Blue Bedford Cord Scheme One Tone Carpet	●8L 7313018-M	1
49	9L except 76	with pad-for 10-1/2" wide tunnel-use with Blue Bedford Cord Scheme-Two Tone Carpet	●8L 7313018-Q	1
49	9L except 76	with pad-for 10-1/2" wide tunnel-use with Gray Birdseye Broadcloth Scheme-One Tone Carpet	●8L 7313018-G	1
49	9L except 76	with pad-for 15" wide tunnel-use with Gray Birdseye Broadcloth Scheme-One Tone Carpet	●8L 7313018-K	1
49	9L except 76	with pad-for 10-1/2" wide tunnel-use with Gray Birdseye Broadcloth Scheme-Two Tone Carpet	●8L 7313018-N	1
49	9L except 76	with pad-for 10-1/2" wide tunnel-use with Yellow Check Broadcloth Scheme-One Tone Carpet	●8L 7313018-H	1
49	9L except 76	with pad-for 15" wide tunnel-use with Yellow Check Broadcloth Scheme-One Tone Carpet	●8L 7313018-L	1
49	9L except 76	with pad-for 10-1/2" wide tunnel-use with Yellow Check Broadcloth Scheme-Two Tone Carpet	●8L 7313018-P	1
49	9L76	with pad-for 10-1/2" wide tunnel-use with Blue Leather and Cord One Tone Carpet	●8L 7613018-M	1

△ Used on cars having front seat with metal stationary foot rest welded to seat frame.

● Used on cars having front seat without foot rest.

Lincoln and Lincoln Cosmopolitan

BODY PARTS CATALOGUE

YEAR 19	BODY TYPES	REMARKS	PART NUMBER	NO. REQ'D
Group 13018 CARPET AND BINDING ASSEMBLY (FRONT FLOOR) ONE PIECE DESIGN-CONTINUED				
49	9L76	with pad-for 15" wide tunnel-use with Blue Leather and Cord-One Tone Carpet	•8L 7613018-S	1
49	9L76	with pad-for 10-1/2" wide tunnel-use with Blue Leather and Cord-Two Tone Carpet	•8L 7613018-W	1
49	9L76	with pad-for 15" wide tunnel-use with Blue Leather and Cord-Two Tone Carpet	•8L 7613018-AA	1
49	9L76	with pad-for 10-1/2" wide tunnel-use with Green Leather and Cord-One Tone Carpet	•8L 7613018-L	1
49	9L76	with pad-for 15" wide tunnel-use with Green Leather and Cord-One Tone Carpet	•8L 7613018-Q	1
49	9L76	with pad-for 10-1/2" wide tunnel-use with Green Leather and Cord-Two Tone Carpet	•8L 7613018-V	1
49	9L76	with pad-for 15" wide tunnel-use with Green Leather and Cord-Two Tone Carpet	•8L 7613018-Z	1
49	9L76	with pad-for 10-1/2" wide tunnel-use with Red Leather and Cord-One Tone Carpet	•8L 7613018-J	1
49	9L76	with pad-for 15" wide tunnel-use with Red Leather and Cord-One Tone Carpet	•8L 7613018-N	1
49	9L76	with pad-for 10-1/2" wide tunnel-use with Red Leather and Cord-Two Tone Carpet	•8L 7613018-T	1
49	9L76	with pad-for 15" wide tunnel-use with Red Leather and Cord-Two Tone Carpet	•8L 7613018-X	1
49	9L76	with pad-for 10-1/2" wide tunnel-use with Tan Leather and Cord-One Tone Carpet	•8L 7613018-K	1
49	9L76	with pad-for 15" wide tunnel-use with Tan Leather and Cord-One Tone Carpet	•8L 7613018-P	1
49	9L76	with pad-for 10-1/2" wide tunnel-use with Tan Leather and Cord-Two Tone Carpet	•8L 7613018-U	1
49	9L76	with pad-for 15" wide tunnel-use with Tan Leather and Cord-Two Tone Carpet	•8L 7613018-Y	1
49	9H	with pad-use with Blue and Rust Tweed, Blue Pin Stripe Broadcloth Scheme, and Blue Leather Trim-Two Tone Carpet	*8H 7313018-H	1
49	9H	with pad-use with Brown Stripe Broadcloth Scheme, and Blue, Tan, or Yellow Leather Trim-Two Tone Carpet	*8H 7313018-J	1
49	9H	with pad for HYDRA-MATIC Transmission-use with Gray Narrow Stripe Broadcloth Scheme and Blue Leather Trim	8H 7313018-T	1
49	9H	with pad for Standard Transmission-use with Gray Narrow Stripe Broadcloth Scheme and Blue Leather Trim	8H 7313018-P	1
49	9H	with pad-for 10-1/2" wide tunnel-use with Green Birdseye Broadcloth Scheme, and Green or Lime Green Leather Trim-Two Tone Light Green Carpet	*8H 7313018-L	1
49	9H	with pad-use with Green Birdseye Broadcloth Scheme, and Green or Lime Green Leather Trim-Two Tone Dark Green Carpet	*8H 7313018-K	1
49	9H	with pad for HYDRA-MATIC Trans.-use with Green Narrow Stripe Broadcloth Scheme and Green or Lime Green Leather Trim	8H 7313018-Q	1
49	9H	with pad for Standard Transmission-use with Green Narrow Stripe Broadcloth Scheme and Green or Lime Green Leather Trim	8H 7313018-M	1
49	9H	with pad for HYDRA-MATIC Transmission-use with Tan Narrow Stripe Broadcloth Scheme and Tan or Yellow Leather Trim	8H 7313018-S	1
49	9H	with pad for Standard Transmission-use with Tan Narrow Stripe Broadcloth Scheme and Tan or Yellow Leather Trim	8H 7313018-N	1
49	9H76	with pad-for 10-1/2" wide tunnel-use with Red Leather Trim-Red Carpet	*8H 7613018-E	1
49	9H,9L	Screw (oval head self tapping)-No. 6 x 3/4"	357819-S15	2or8
49	9H	Washer (finish)-No. 6	34804-S15	20

Used on cars having front seat without foot rest.

* Used on cars having front with adjustable foot rest or stationary foot rest bolted to seat frame.

Lincoln and Lincoln Cosmopolitan

BODY PARTS CATALOGUE

YEAR 19	BODY TYPES	REMARKS	PART NUMBER	NO. REQ'D
Group 13018 CARPET AND BINDING ASSEMBLY (FRONT FLOOR)-R.H.-WITHOUT PAD				
49	9L except 76	for 10-1/2" wide tunnel-use with Blue Bedford Cord Scheme	△8L 7313018-C	1
49	9L except 76	for 15" wide tunnel-use with Blue Bedford Cord Scheme	△8L 7313018-F	1
49	9L except 76	for 10-1/2" wide tunnel-use with Gray Birdseye Broadcloth Scheme	△8L 7313018-A	1
49	9L except 76	for 15" wide tunnel-use with Gray Birdseye Broadcloth Scheme	△8L 7313018-D	1
49	9L except 76	for 10-1/2" wide tunnel-use with Yellow Check Broadcloth Scheme	△8L 7313018-B	1
49	9L except 76	for 15" wide tunnel-use with Yellow Check Broadcloth Scheme	△8L 7313018-E	1
49	9L76	for 10-1/2" wide tunnel-use with Blue Leather and Cord Trim	△8L 7613018-D	1
49	9L76	for 15" wide tunnel-use with Blue Leather and Cord Trim	△8L 7613018-H	1
49	9L76	for 10-1/2" wide tunnel-use with Green Leather Trim	△8L 7613018-C	1
49	9L76	for 15" wide tunnel-use with Green Leather and Cord Trim	△8L 7613018-G	1
49	9L76	for 10-1/2" wide tunnel-use with Red Leather Trim	△8L 7613018-A	1
49	9L76	for 15" wide tunnel-use with Red Leather and Cord Trim	△8L 7613018-E	1
49	9L76	for 10-1/2" wide tunnel-use with Tan Leather Trim	△8L 7613018-B	1
49	9L76	for 15" wide tunnel-use with Tan Leather and Cord Trim	△8L 7613018-F	1
49	9H	use with Blue and Rust Tweed, Blue Pin Stripe Broadcloth Scheme and Blue Leather Trim	△8H 7313018-E	1
49	9H	use with Brown Stripe Broadcloth Scheme and Red, Tan or Yellow Leather Trim	△8H 7313018-F	1
49	9H	use with Green Birdseye Broadcloth Scheme and Green Leather or Lime Green Leather Trim	△8H 7313018-G	1
49	9H,9L72-76	Washer (countersunk)-No. 6	34884-S15	as req'd
Group 13019 CARPET AND BINDING ASSEMBLY (FRONT FLOOR)-L.H.-WITHOUT PAD				
49	9L except 76	for 10-1/2" wide tunnel-use with Blue Bedford Cord Scheme	△8L 7313019-C	1
49	9L except 76	for 15" wide tunnel-use with Blue Bedford Cord Scheme	△8L 7313019-F	1
49	9L except 76	for 10-1/2" wide tunnel-use with Gray Birdseye Broadcloth Scheme	△8L 7313019-A	1
49	9L except 76	for 15" wide tunnel-use with Gray Birdseye Broadcloth Scheme	△8L 7313019-D	1
49	9L except 76	for 10-1/2" wide tunnel-use with Yellow Check Broadcloth Scheme	△8L 7313019-B	1
49	9L except 76	for 15" wide tunnel-use with Yellow Check Broadcloth Scheme	△8L 7313019-E	1
49	9L76	for 10-1/2" wide tunnel-use with Blue Leather and Cord Trim	△8L 7613019-D	1
49	9L76	for 15" wide tunnel-use with Blue Leather and Cord Trim	△8L 7613019-H	1
49	9L76	for 10-1/2" wide tunnel-use with Green Leather and Cord Trim	△8L 7613019-C	1
49	9L76	for 15" wide tunnel-use with Green Leather and Cord Trim	△8L 7613019-G	1
49	9L76	for 10-1/2" wide tunnel-use with Red Leather and Cord Trim	△8L 7613019-A	1
49	9L76	for 15" wide tunnel-use with Red Leather and Cord Trim	△8L 7613019-E	1
49	9L76	for 10-1/2" wide tunnel-use with Tan Leather and Cord Trim	△8L 7613019-B	1
49	9L76	for 15" wide tunnel-use with Tan Leather and Cord Trim	△8L 7613019-F	1
49	9H	use with Blue and Rust Tweed & Blue Pin Stripe Broadcloth Scheme	△8H 7313019-E	1
49	9H	use with Brown Stripe Broadcloth Scheme or Red, Tan or Yellow Leather Trim	△8H 7313019-F	1
49	9H	use with Green Birdseye Broadcloth Scheme or Green or Lime Green Leather Trim	△8H 7313019-G	1
Group 13026 GROMMET (CARPET AT ACCELERATOR)				
49	9L,9H		8H 7313026	1
△ Used on cars having front seat with metal stationary foot rest welded to seat frame.				

Lincoln and Lincoln Cosmopolitan

BODY PARTS CATALOGUE

YEAR 19	BODY TYPES	REMARKS	PART NUMBER	NO. REQ'D
Group 13046 CARPET ASSEMBLY (REAR FLOOR)				
49	9L72	without pad-use with Blue Bedford Cord Scheme-One Tone Carpet	△8L 7213046-C	1
49	9L72	with pad-use with Blue Bedford Cord Scheme-One Tone Carpet	●8L 7213046-F	1
49	9L72	with pad-use with Blue Bedford Cord Scheme-Two Tone Carpet	●8L 7213046-J	1
49	9L72	without pad-use with Gray Birdseye Broadcloth Scheme-One Tone Carpet	△8L 7213046-A	1
49	9L72	with pad-use with Gray Birdseye Broadcloth Scheme-One Tone Carpet	●8L 7213046-D	1
49	9L72	with pad-use with Gray Birdseye Broadcloth Scheme-Two Tone Carpet	●8L 7213046-G	1
49	9L72	with pad-use with Gray Wide Stripe Broadcloth Scheme	8L 7213046-N	1
49	9L72	with pad-use with Green Wide Stripe Broadcloth Scheme	8L 7213046-L	1
49	9L72	with pad-use with Tan Wide Stripe Broadcloth Scheme	8L 7213046-M	1
49	9L72	without pad-use with Yellow Check Broadcloth Scheme-One Tone Carpet	△8L 7213046-B	1
49	9L72	with pad-use with Yellow Check Broadcloth Scheme-One Tone Carpet	●8L 7213046-E	1
49	9L72	with pad-use with Yellow Check Broadcloth Scheme-Two Tone Carpet	●8L 7213046-H	1
49	9L74	without pad-use with Blue Bedford Cord Scheme-One Tone Carpet	△8L 7413046-C	1
49	9L74	with pad-use with Blue Bedford Cord Scheme-One Tone Carpet	●8L 7413046-F	1
49	9L74	with pad-use with Blue Bedford Cord Scheme-Two Tone Carpet	●8L 7413046-J	1
49	9L74	without pad-use with Gray Birdseye Broadcloth Scheme-One Tone Carpet	△8L 7413046-A	1
49	9L74	with pad-use with Gray Birdseye Broadcloth Scheme-One Tone Carpet	●8L 7413046-D	1
49	9L74	with pad-use with Gray Birdseye Broadcloth Scheme-Two Tone Carpet	●8L 7413046-G	1
49	9L74	with pad-use with Gray Wide Stripe Broadcloth Scheme	8L 7413046-N	1
49	9L74	with pad-use with Green Wide Stripe Broadcloth Scheme	8L 7413046-L	1
49	9L74	with pad-use with Tan Wide Stripe Broadcloth Scheme	8L 7413046-M	1
49	9L74	without pad-use with Yellow Check Broadcloth Scheme-One Tone Carpet	△8L 7413046-B	1
49	9L74	with pad-use with Yellow Check Broadcloth Scheme-One Tone Carpet	●8L 7413046-E	1
49	9L74	with pad-use with Yellow Check Broadcloth Scheme-Two Tone Carpet	●8L 7413046-H	1
49	9L76	without pad-use with Blue Leather and Cord-One Tone Carpet	△8L 7613046-A	1
49	9L76	with pad-use with Blue Leather and Cord-One Tone Carpet	●8L 7613046-B	1
49	9L76	with pad-use with Blue Leather and Cord-Two Tone Carpet	●8L 7613046-F	1
49	9L76	without pad-use with Green Leather and Cord-One Tone Carpet	△8M 7613046-C	1
49	9L76	with pad-use with Green Leather and Cord-One Tone Carpet	●8M 7613046-F	1
49	9L76	with pad-use with Green Leather and Cord-Two Tone Carpet	●8L 7613046-E	1
49	9L76	without pad-use with Red Leather and Cord-One Tone Carpet	△8M 7613046-A	1
49	9L76	with pad-use with Red Leather and Cord-One Tone Carpet	●8M 7613046-D	1
49	9L76	with pad-use with Red Leather and Cord-Two Tone Carpet	●8L 7613046-C	1
49	9L76	without pad-use with Tan Leather and Cord-One Tone Carpet	△8M 7613046-B	1
49	9L76	with pad-use with Tan Leather and Cord-One Tone Carpet	●8M 7613046-E	1
49	9L76	with pad-use with Tan Leather and Cord-Two Tone Carpet	●8L 7613046-D	1
49	9L76	Screw (oval head self tapping)-No. 6 x 3/4"	357819-S15	2
49	9L72,9H	Washer (finish)-No. 6	34884-S15	as req'd

Group 13050 CARPET ASSEMBLY (REAR FLOOR)

49	9H72	without pad-use with Blue and Rust Tweed or Blue Pin Stripe Broadcloth Scheme-Two Tone Carpet	△8H 73123050-E	1
49	9H72	with pad-use with Blue and Rust Tweed or Blue Pin Stripe Broadcloth Scheme-Two Tone Carpet	*8H 7213050-H	1
49	9H72	without pad-use with Brown Stripe Broadcloth Scheme-Two Tone Carpet	△8H 7213050-F	1
49	9H72	with pad-use with Brown Stripe Broadcloth Scheme-Two Tone Carpet	*8H 7213050-J	1
49	9H72	with pad-use with Gray Narrow Stripe Broadcloth Scheme	8H 7213050-P	1

△ Used on cars having front seat with metal stationary foot rest welded to seat frame.

● Used on cars having front seat without foot rest.

* Used on cars having front seat with adjustable foot rest or stationary foot rest bolted to seat frame.

Lincoln and Lincoln Cosmopolitan

BODY PARTS CATALOGUE

YEAR 19	BODY TYPES	REMARKS	PART NUMBER	NO. REQ'D
Group 13050 CARPET ASSEMBLY (REAR FLOOR)-CONTINUED				
49	9H72	without pad-use with Green Birdseye Broadcloth Scheme-Two Tone Carpet	△8H 7213050-G	1
49	9H72	with pad-use with Green Birdseye Broadcloth Scheme-One Tone Carpet	*8H 7213050-L	1
49	9H72	with pad-use with Green Birdseye Broadcloth Scheme-Two Tone Carpet	*8H 7213050-K	1
49	9H72	with pad-use with Green Narrow Stripe Broadcloth Scheme	8H 7213050-M	1
49	9H72	with pad-use with Tan Narrow Stripe Broadcloth Scheme	8H 7213050-N	1
49	9H73	without pad-use with Blue and Rust Tweed or Blue Pin Stripe Broadcloth Scheme-Two Tone Carpet	△8H 7313050-E	1
49	9H73	without pad-use with Brown Stripe Broadcloth Scheme-Two Tone Carpet	△8H 7313050-F	1
49	9H73	without pad-use with Green Birdseye Broadcloth Scheme Two Tone Carpet	△8H 7313050-G	1
49	9H74	without pad-use with Blue and Rust Tweed or Blue Pin Stripe Broadcloth Scheme-Two Tone Carpet	△8H 7413050-E	1
49	9H74	without pad-use with Brown Stripe Broadcloth Scheme-Two Tone Carpet	△8H 7413050-F	1
49	9H74	without pad-use with Green Birdseye Broadcloth Scheme-Two Tone Carpet	△8H 7413050-G	1
49	9H73-74	with pad-use with Blue and Rust Tweed or Blue Pin Stripe Broadcloth Scheme-Two Tone Carpet	*8H 7313050-H	1
49	9H73-74	with pad-use with Brown Stripe Broadcloth Scheme-Two Tone Carpet	*8H 7313050-J	1
49	9H73-74	with pad-use with Gray Narrow Stripe Broadcloth Scheme	8H 7313050-P	1
49	9H73-74	with pad-use with Green Birdseye Broadcloth Scheme-One Tone Carpet	*8H 7313050-L	1
49	9H73-74	with pad-use with Green Birdseye Broadcloth Scheme-Two Tone Carpet	*8H 7313050-K	1
49	9H73-74	with pad-use with Green Narrow Stripe Broadcloth Scheme	8H 7313050-M	1
49	9H73-74	with pad-use with Tan Narrow Stripe Broadcloth Scheme	8H 7313050-N	1
49	9H76	without pad-use with Blue Leather Trim-Two Tone Carpet	△8H 7613050-G	1
49	9H76	without pad-use with Blue Leather Trim-Two Tone Carpet	△8H 7613050-K	1
49	9H76	with pad-use with Blue Leather Trim-Two Tone Carpet	*8H 7613050-N	1
49	9H76	without pad-use with Green or Lime Green Leather Trim-Two Tone Dark Green Carpet	△8H 7613050-F	1
49	9H76	without pad-use with Green or Lime Green Leather Trim-Two Tone Light Green Carpet	△8H 7613050-J	1
49	9H76	with pad-use with Green or Lime Green Leather Trim One Tone Carpet	*8H 7613050-Q	1
49	9H76	with pad-use with Green or Lime Green Leather Trim-Two Tone Carpet	*8H 7613050-M	1
49	9H76	without pad-use with Red, Tan or Yellow Leather Trim-Two Tone Carpet	△8H 7613050-E	1
49	9H76	without pad-use with Red, Tan or Yellow Leather Trim-Two Tone Carpet	△8H 7613050-H	1
49	9H76	with pad-use with Red, Tan or Yellow Leather Trim-Two Tone Carpet	*8H 7613050-L	1
49	9H76	with pad-use with Red Trim-One Tone Carpet	*8H 7613050-P	1
49	9H72-74	Fastener Stud (Snap Type-Durable Dot)-No. 8 x 1/2"	95203-S15	8
49	9H	Screw (oval head self tapping)-No. 6 x 3/4"	357819-S15	6or8
49	9H	Washer (finish)-No. 6	34884-S15	20

△ Used on cars having front seat with metal stationary foot rest welded to seat frame.

* Used on cars having front seat with adjustable foot rest or stationary foot rest bolted to seat frame.

Lincoln and Lincoln Cosmopolitan

BODY PARTS CATALOGUE

YEAR 19	BODY TYPES	REMARKS	PART NUMBER	NO. REQ'D
Group 13086 PAD (HEEL)-FRONT FLOOR CARPET				
49	9L	Black Rubber-14-1/2" long	7EH 7313086	1
49	9L,9H	Blue Rubber-14-1/2" long	8H 7313086-A	1
49	9L,9H	Gray Rubber-15-5/8" long	8H 7313086-F	1
49	9L,9H	Green Rubber-14-1/2" long	8H 7313086-C	1
49	9L,9H	Green Rubber-15-5/8" long	8H 7313086-D	1
49	9L,9H	Tan Rubber-14-1/2" long	8H 7313086-B	1
49	9L,9H	Tan Rubber-15-5/8" long	8H 7313086-E	1
49	9L,9H	Tan Rubber-15-5/8" long	8H 7313086-E	1
49	9H76	Red Rubber-15-5/8" long	8H 7613086-B	1
Group 13200-1 PLATE ASSEMBLY (FRONT DOOR SCUFF)				
49	9H72	R.H.-Black Rubber	7EH 7213200	1
49	9H72	L.H.-Black Rubber	7EH 7213201	1
49	9H72-76	R.H.-Gray Rubber	8H 7213200-C	1
49	9H72-76	L.H.-Gray Rubber	8H 7213201-C	1
49	9H72-76	R.H.-Green Rubber	8H 7213200-A	1
49	9H72-76	L.H.-Green Rubber	8H 7213201-A	1
49	9H72-76	R.H.-Tan Rubber	8H 7213200-B	1
49	9H72-76	L.H.-Tan Rubber	8H 7213201-B	1
49	9H73-74	R.H.-Black Rubber	7EH 7313200	1
49	9H73-74	L.H.-Black Rubber	7EH 7313201	1
49	9H73-74	R.H.-Gray Rubber	8H 7313200-C	1
49	9H73-74	L.H.-Gray Rubber	8H 7313201-C	1
49	9H73-74	R.H.-Green Rubber	8H 7313200-A	1
49	9H73-74	L.H.-Green Rubber	8H 7313201-A	1
49	9H73-74	R.H.-Tan Rubber	8H 7313200-B	1
49	9H73-74	L.H.-Tan Rubber	8H 7313201-B	1
49	9H76	R.H.-Black Rubber	8H 7613200-A	1
49	9H76	L.H.-Black Rubber	8H 7613201-A	1
49	9H76	R.H.-Gray Rubber	8H 7613200-D	1
49	9H76	L.H.-Gray Rubber	8H 7613201-D	1
49	9H76	R.H.-Green Rubber	8H 7613200-B	1
49	9H76	L.H.-Green Rubber	8H 7613201-B	1
49	9H76	R.H.-Red Rubber	8H 7613200-E	1
49	9H76	L.H.-Red Rubber	8H 7613201-E	1
49	9H76	R.H.-Tan Rubber	8H 7613200-C	1
49	9H76	L.H.-Tan Rubber	8H 7613201-C	1
49	9H	Fastener (scuff plate)	353175-S21	12or14
49	9H	Screw (binding head self tapping)-No. 8 x 1/2"	33443-S2	10
Group 13208-9 PLATE (BODY ROCKER PANEL SCUFF)-FRONT				
49	9L except 74	R.H.	8L 7013208	1
49	9L except 74	L.H.	8L 7013209	1
49	9L74	R.H.	8L 7313208	1
49	9L74	L.H.	8L 7313209	1
49	9L	Screw (oval head self tapping)-No. 6 x 3/8"	32979-S8	8
49	9L	Screw (oval head self tapping)-No. 6 x 3/4"	33000-S13	4

Lincoln and Lincoln Cosmopolitan

39

BODY PARTS CATALOGUE

YEAR 19	BODY TYPES	REMARKS	PART NUMBER	NO. REQ'D
Group 13220-1 PLATE ASSEMBLY (REAR DOOR SCUFF)				
49	9H73-74	R.H.-Black Rubber	7EH 7313220	1
49	9H73-74	L.H.-Black Rubber	7EH 7313221	1
49	9H73-74	R.H.-Gray Rubber	8H 7313220-C	1
49	9H73-74	L.H.-Gray Rubber	8H 7313221-C	1
49	9H73-74	R.H.-Green Rubber	8H 7313220-A	1
49	9H73-74	L.H.-Green Rubber	8H 7313221-A	1
49	9H73-74	R.H.-Tan Rubber	8H 7313220-B	1
49	9H73-74	L.H.-Tan Rubber	8H 7313221-B	1
49	9H73-74	Fastener (scuff plate)	353175-S21	10
49	9H73-74	Screw (binding head self tapping)-No. 8 x 1/2"	33443-S2	10
Group 13228-9 PLATE (BODY ROCKER PANEL SCUFF)-REAR				
49	9L74	R.H.-with two notches for windlace	8M 7313228-A	1
49	9L74	L.H.-with two notches for windlace	8M 7313229-A	1
49	9L74	Screw (oval head self tapping)-No. 6 x 3/8"	32979-S8	6
49	9L74	Screw (Oval head self tapping)-No. 6 x 3/4"	33000-S13	4
Group 14577 CLIP (HYDRAULIC TUBING)				
49	9L,9H		51A 14577-A	3or4
49	9L,9H	Screw (binding head self tapping)-No. 10 x 3/8"	33177-S7	3or4
Group 18306 KEY (GLOVE BOX AND REAR DECK LID)				
49	9L,9H		8H 18306	2
Group 18570 GASKET (HOT WATER FRESH AIR HEATER)				
49	9H	fresh air dust flange to dash	8M 18570-A	2
49	9L	blower motor housing to dash	8M 18570-B	1
Group 19545 FLUID (WINDOW REGULATOR)				
49	9L,9H	in pint container	8L 19545	as req'd
Group 20122-3 DOOR ASSEMBLY (FRONT)-LESS PAINT,TRIM,GLASS,HANDLES,HINGES,LOCK AND REGULATOR				
49	9L72	R.H.-replaced by 8L-7220122-A	8L 7020122-A	1
49	9L72	L.H.-replaced by 8L-7220123-A	8L 7020123-A	1
49	9L72	R.H.-Manual Control-Pull Type Handle	8L 7220122-A	1
49	9L72	L.H.-Manual Control-Pull Type Handle	8L 7220123-A	1
49	9L72	R.H.-Hydraulic Control-Push Button Type Handle	8L 7220122-D	1
49	9L72	L.H.-Hydraulic Control-Push Button Type Handle	8L 7220123-D	1
49	9L72	R.H.-Manual Control-Push Button Type Handle	8L 7220122-E	1
49	9L72	L.H.-Manual Control-Push Button Type Handle	8L 7220123-E	1
49	9L74	R.H.-Manual Control-Pull Type Handle-without flange type weatherstrip retainer at bottom	8L 7320122-A	1
49	9L74	L.H.-Manual Control-Pull Type Handle-without flange type weatherstrip retainer at bottom	8L 7320123-A	1
49	9L74	R.H.-Manual Control-Pull Type Handle-with flange type weatherstrip retainer at bottom	8L 7320122-C	1
49	9L74	L.H.-Manual Control-Pull Type Handle-with flange type weatherstrip retainer at bottom	8L 7320123-C	1
49	9L74	R.H.-Hydraulic Control-Push Button Type	8L 7320122-D	1
49	9L74	L.H.-Hydraulic Control-Push Button Type	8L 7320123-D	1
49	9L74	R.H.-Manual Control-Push Button Type	8L 7320122-E	1
49	9L74	L.H.-Manual Control-Push Button Type	8L 7320123-E	1
49	9L76	R.H.-Pull Type Handle	8L 7620122-A	1
49	9L76	L.H.-Pull Type Handle	8L 7620123-A	1
49	9L76	R.H.-Push Button Type Handle	8L 7620122-C	1
49	9L76	L.H.-Push Button Type Handle	8L 7620123-C	1

Lincoln and Lincoln Cosmopolitan

BODY PARTS CATALOGUE

YEAR 19	BODY TYPES	REMARKS	PART NUMBER	NO. REQ'D
Group 20122-3 DOOR ASSEMBLY (FRONT)-LESS PAINT, TRIM, GLASS, HANDLES, HINGES, LOCK AND REGULATOR-CONTINUED				
49	9H72	R.H.	8H 7220122-B	1
49	9H72	L.H.	8H 7220123-B	1
49	9H73-74	R.H.-replaced by 8H-7320122-B	8H 7320122-A	1
49	9H73-74	L.H.-replaced by 8H-7320123-B	8H 7320123-A	1
49	9H73-74	R.H.	8H 7320122-B	1
49	9H73-74	L.H.	8H 7320123-B	1
49	9H76	R.H.	8H 7620122-B	1
49	9H76	L.H.	8H 7620123-B	1
Group 20394-5 WEATHERSTRIP (DOOR BOTTOM)				
49	9L72-76	R.H.	8M 7020394	1
49	9L72-76	L.H.	8M 7020395	1
49	9L74	R.H.	8M 7320394	1
49	9L74	L.H.	8M 7320395	1
49	9H72-76	R.H.	8H 7220394	1
49	9H72-76	L.H.	8H 7220395	1
49	9H73-74	R.H.	8H 7320394	1
49	9H73-74	L.H.	8H 7320395	1
Group 20448 WEATHERSTRIP (FRONT DOOR HINGE PILLAR)-LOWER				
49	9L except 76		8M 7020448-A	2
Group 20456 WEATHERSTRIP (FRONT DOOR HINGE PILLAR)-LOWER				
49	9H except 76	replaced by 8H-7220530-1, 8H-7320530-1	7EH 7320456	2
Group 20456 WEATHERSTRIP (FRONT DOOR HINGE PILLAR AND LOCK PILLAR)-LOWER				
49	9H76	Rubber-replaced by 8A-7620456-B	8H 7620456	2or4
49	9H76	Rubber	8A 7620456-B	2or4
Group 20478 CLIP (DOOR WEATHERSTRIP RETAINER)-FRONT				
49	9L		7C 8120478	6or12
49	9H		8A 7020478	6or12
49	9L72-74	Screw (Phillips binding head)-No. 8 x 3/8"	52720-S8	6or12
49	9L72-74	Screw (Phillips binding head)-No. 6 x 3/8"	356793-S8	2or8
49	9H	Screw (Phillips binding head)-No. 8 x 3/8"	52720-S8	6or12
49	9H	Screw (Phillips binding head)-No. 8 x 1/2"	353409-S8	14or24
Group 20478 RETAINER (DOOR WEATHERSTRIP)				
49	9H	1/4" wide-51/64" overall length-no longer serviced	8H 7320478	4or8
49	9H	Screw (binding head self tapping)-No. 8 x 1/4"	32909-S2	2or4
Group 20488 RETAINER (DOOR WEATHERSTRIP)-BOTTOM				
49	9H	replaced by 8A-7020478	51A 7020488	6or12
Group 20488 RETAINER (DOOR WEATHERSTRIP)				
49	9H except 76	3/8" wide-31/64" long-no longer serviced	8H 7320488	4or8

Lincoln and Lincoln Cosmopolitan

BODY PARTS CATALOGUE

YEAR 19	BODY TYPES	REMARKS	PART NUMBER	NO. REQ'D
Group 20496 WEATHERSTRIP (FRONT AND REAR DOOR LOCK PILLAR)				
49	9H except 76		7EH 7320496	2or4
49	9H76	31-1/4" long-replaced by 8A-7620456-B and cut to length	8H 7620496	2or4
Group 20497 SHIM (DOOR WINDOW CORNER FILLER TO INSIDE PANEL ATTACHING BRACKET)				
49	9L76	1-39/64" long	8M 7620497	As Req'd
Group 20520-1 RETAINER (WINDOW SEAL AT FRONT RAIL SECTION)				
49	9L76	R.H.	8M 7620520	1
49	9L76	L.H.	8M 7620521	1
49	9L76	Screw (binding head)-No. 8 x 3/8"	32916-88	8
Group 20526-7 RETAINER (WINDOW SEAL AT REAR RAIL SECTION)				
49	9L76	R.H.	8M 7620526	1
49	9L76	L.H.	8M 7620527	1
49	9L76	Screw (binding head self tapping)-No. 8 x 3/8"	32916-88	8
Group 20530-1 WEATHERSTRIP (DOOR OPENING)-OUTER				
49	9L72	R.H.-replaced by 8M-7020530-B	8M 7020530-A	1
49	9L72	L.H.-replaced by 8M-7020531-B	8M 7020531-A	1
49	9L72	R.H.	8M 7020530-B	1
49	9L72	L.H.	8M 7020531-B	1
49	9L74	R.H.	8M 7320530-B	1
49	9L74	L.H.	8M 7320531-B	1
Group 20530-1 WEATHERSTRIP (DOOR HINGE PILLAR)				
49	9L76	R.H.-without vulcanized extension-replaced by 8M-7620530-B	8M 7620530-A	1
49	9L76	L.H.-without vulcanized extension-replaced by 8M-7620531-B	8M 7620531-A	1
49	9L76	R.H.-with vulcanized extension	8M 7620530-B	1
49	9L76	L.H.-with vulcanized extension	8M 7620531-B	1
49	9L76	Screw (Phillips binding head)-No. 8 x 1/2"	350160-S13	2
Group 20530-1 WEATHERSTRIP (DOOR HINGE SIDE AND HEADER)				
49	9H72	R.H.	8H 7220530	1
49	9H72	L.H.	8H 7220531	1
49	9H73-74	R.H.	8H 7320530	1
49	9H73-74	L.H.	8H 7320531	1
Group 20532 WEATHERSTRIP (FRONT DOOR OPENING HEADER)				
49	9H72	door header opening	7EH 7220532	2
49	9H73-74	front door header opening-replaced by 8H-7320530-1	7EH 7320532	2
Group 20538 WINDLACE ASSEMBLY (FRONT DOOR OPENING OUTER)				
49	9H72	use with Blue and Rust Tweed Broadcloth Scheme	8H 7220538-A	2
49	9H72	use with Blue Pin Stripe Broadcloth Scheme	8H 7220538-D	2
49	9H72	use with Brown Stripe Broadcloth Scheme	8H 7220538-B	2
49	9H72	use with Gray Narrow Stripe Broadcloth Scheme	8H 7220538-H	2
49	9H72	use with Green Birdseye Broadcloth Scheme	8H 7220538-C	2
49	9H72	use with Green Narrow Stripe Broadcloth Scheme	8H 7220538-F	2
49	9H72	use with Tan Narrow Stripe Broadcloth Scheme	8H 7220538-G	2

Lincoln and Lincoln Cosmopolitan

BODY PARTS CATALOGUE

YEAR 19	BODY TYPES	REMARKS	PART NUMBER	NO. REQ'D
Group 20538 WINDLACE ASSEMBLY (FRONT DOOR OPENING)-OUTER				
49	9H73-74	use with Blue and Rust Tweed Broadcloth Scheme	8H 7320538-A	2
49	9H73-74	use with Blue Pin Stripe Broadcloth Scheme	8H 7320538-D	2
49	9H73-74	use with Brown Stripe Broadcloth Scheme	8H 7320538-B	2
49	9H73-74	use with Gray Narrow Stripe Broadcloth Scheme	8H 7320538-H	2
49	9H73-74	use with Green Birdseye Broadcloth Scheme	8H 7320538-C	2
49	9H73-74	use with Green Narrow Stripe Broadcloth Scheme	8H 7320538-F	2
49	9H73-74	use with Tan Narrow Stripe Broadcloth Scheme	8H 7320538-G	2
49	9H except 76	Screw (Phillips oval head)-No. 6 x 1/2"	52352-S13	20
Group 20542-3 WEATHERSTRIP (DOOR LOCK SIDE)				
49	9H except 76	R.H.	8H 7320542	1or2
49	9H except 76	L.H.	8H 7320543	1or2
49	9H76	R.H.	8H 7620542	1
49	9H76	L.H.	8H 7620543	1
Group 20542-3 WEATHERSTRIP (DOOR LOCK PILLAR)				
49	9L76	R.H.	8M 7620542-B	1
49	9L76	L.H.	8M 7620543-B	1
49	9L76	Screw (Phillips binding head)-No. 8 x 1/2"	350160-S13	2
Group 20548-9 WEATHERSTRIP (FRONT DOOR LOCK PILLAR)-LOWER				
49	9L72	R.H.	8M 7020548-A	1
49	9L72	L.H.-replaced by 8M-7020395	8M 7020549-A	1
49	9L74	R.H.	8M 7320548-A	1
49	9L74	L.H.-replaced by 8M-7320395	8M 7320549-A	1
Group 20552-3 STRIP (FRONT DOOR HEADER FINISH)				
49	9H72	R.H.-Lincoln Texture Blue Metallic Finish	8H 7220552-AAC	1
49	9H72	L.H.-Lincoln Texture Blue Metallic Finish	8H 7220553-AAC	1
49	9H72	R.H.-Chrome Finish	8H 7220552-D	1
49	9H72	L.H.-Chrome Finish	8H 7220553-D	1
49	9H72	R.H.-Gold Fleck Dark Gray Metallic Finish	8H 7220552-C	1
49	9H72	L.H.-Gold Fleck Dark Gray Metallic Finish	8H 7220553-C	1
49	9H72	R.H.-Lincoln Texture Green Metallic Finish	8H 7220552-AAB	1
49	9H72	L.H.-Lincoln Texture Green Metallic Finish	8H 7220553-AAB	1
49	9H72	R.H.-Lincoln Texture Tan Metallic Finish	8H 7220552-AAA	1
49	9H72	L.H.-Lincoln Texture Tan Metallic Finish	8H 7220553-AAA	1
49	9H72	R.H.-in Prime	8H 7220552-AP	1
49	9H72	L.H.-in Prime	8H 7220553-AP	1
49	9H73-74	R.H.-Lincoln Texture Blue Metallic Finish	8H 7320552-AAC	1
49	9H73-74	L.H.-Lincoln Texture Blue Metallic Finish	8H 7320553-AAC	1
49	9H73-74	R.H.-Mercury Texture Blue Metallic Finish	8H 7320552-AAD	1
49	9H73-74	L.H.-Mercury Texture Blue Metallic Finish	8H 7320553-AAD	1
49	9H73-74	L.H.-Chrome Finish	8H 7320553-D	1
49	9H73-74	R.H.-Chrome Finish	8H 7320552-D	1
49	9H73-74	R.H.-Gold Fleck Dark Gray Metallic Finish	8H 7320552-C	1
49	9H73-74	L.H.-Gold Fleck Dark Gray Metallic Finish	8H 7320553-C	1
49	9H73-74	R.H.-Lincoln Texture Green Metallic Finish	8H 7320552-AAB	1
49	9H73-74	L.H.-Lincoln Texture Green Metallic Finish	8H 7320553-AAB	1
49	9H73-74	R.H.-Lincoln Texture Tan Metallic Finish	8H 7320552-AAA	1
49	9H73-74	L.H.-Lincoln Texture Tan Metallic Finish	8H 7320553-AAA	1
49	9H except 76	Screw (Phillips head)-No. 6	52342-S13	as req'd

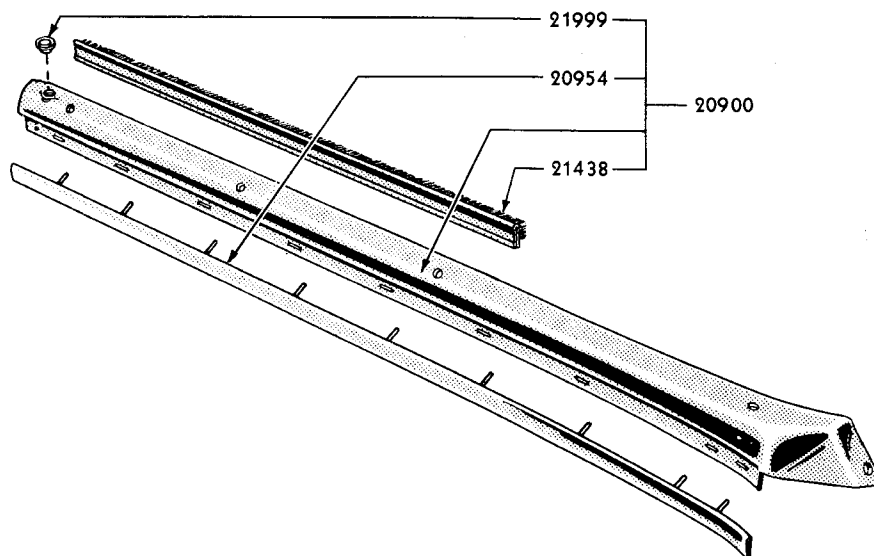
Lincoln and Lincoln Cosmopolitan

BODY PARTS CATALOGUE

YEAR 19	BODY TYPES	REMARKS	PART NUMBER	NO. REQ'D
Group 20574 CLIP (DOOR WEATHERSTRIP RETAINER)				
49	9L76		8M 7620574	2
Group 20706 WEATHERSTRIP (FRONT DOOR BOTTOM)-OUTER				
49	9L except 74	replaced by 8M-7020394-5	7A 7020706-A	2
49	9L74	replaced by 8M-7320394-5	7A 7320706-A	2
49	9H72-76	replaced by 8H-7220394-5	7EH 7220706	2
49	9H73-74	replaced by 8H-7320394-5	7EH 7320706	2
Group 20708 WEATHERSTRIP (FRONT DOOR BOTTOM)-INNER				
49	9L except 74	replaced by 8M-7020394-5	7A 7020708-A	2
49	9L74	replaced by 8M-7320394-5	7A 7320708-A	2
Group 20712 RETAINER (DOOR BOTTOM WEATHERSTRIP)-OUTER				
49	9L except 74		8M 7020712-B	2
49	9L74		8M 7320712-B	2
49	9H72-76		7EH 7220712	2
49	9H73-74		7EH 7320712	2
49	9H72-76	Screw (binding head self tapping)-No. 8 x 1/2"	33443-S2	24
49	9H	Screw (Phillips binding head)-No. 8 x 7/16"	351675-S28	24
49	9H73-74	Screw (Phillips binding head)-No. 8 x 1/2"	352409-S8	20
Group 20724-5 WELT AND CARDBOARD ASSEMBLY (FRONT DOOR WINDOW FINISH)				
49	9L72	R.H.	8M 7020724	1
49	9L72	L.H.	8M 7020725	1
49	9L74	R.H.	8M 7320724	1
49	9L74	L.H.	8M 7320725	1

Lincoln and Lincoln Cosmopolitan

BODY PARTS CATALOGUE



PL-371

LINCOLN COSMOPOLITAN FRONT DOOR WINDOW FINISH STRIP

Group numbers only shown on illustration. Order by Part Numbers shown in list of parts.

YEAR 19__	BODY TYPES	REMARKS	PART NUMBER	NO. REQ'D
Group 20900-1 STRIP ASSEMBLY (FRONT DOOR WINDOW FINISH)-COMPLETE				
49	9H72	R.H.-Lincoln Texture Blue Metallic Finish	8H 7220900-BAC	1
49	9H72	L.H.-Lincoln Texture Blue Metallic Finish	8H 7220901-BAC	1
49	9H72	R.H.-in Prime-use with Chrome moulding	8H 7220900-CP	1
49	9H72	L.H.-in Prime-use with Chrome moulding	8H 7220901-CP	1
49	9H72	R.H.-Gold Fleck Dark Gray Metallic Finish	8H 7220900-BC	1
49	9H72	L.H.-Gold Fleck Dark Gray Metallic Finish	8H 7220901-BC	1
49	9H72	R.H.-Lincoln Texture Green Metallic Finish	8H 7220900-BAB	1
49	9H72	L.H.-Lincoln Texture Green Metallic Finish	8H 7220901-BAB	1
49	9H72	R.H.-in Prime-use with Rustless Steel moulding	8H 7220900-BP	1
49	9H72	L.H.-in Prime-use with Rustless Steel moulding	8H 7220901-BP	1
49	9H72	R.H.-Lincoln Texture Tan Metallic Finish	8H 7220900-BAA	1
49	9H72	L.H.-Lincoln Texture Tan Metallic Finish	8H 7220901-BAA	1
49	9H73-74	R.H.-Lincoln Texture Blue Metallic Finish	8H 7320900-CAC	1
49	9H73-74	L.H.-Lincoln Texture Blue Metallic Finish	8H 7320901-CAC	1
49	9H73-74	R.H.-in Prime-use with Chrome moulding	8H 7320900-DP	1
49	9H73-74	L.H.-in Prime-use with Chrome moulding	8H 7320901-DP	1
49	9H73-74	R.H.-Gold Fleck Dark Gray Metallic Finish	8H 7320900-BC	1
49	9H73-74	L.H.-Gold Fleck Dark Gray Metallic Finish	8H 7320901-BC	1
49	9H73-74	R.H.-Lincoln Texture Green Metallic Finish	8H 7320900-CAB	1
49	9H73-74	L.H.-Lincoln Texture Green Metallic Finish	8H 7320901-CAB	1
49	9H73-74	R.H.-in Prime-use with Rustless Steel moulding	8H 7320900-BP	1
49	9H73-74	L.H.-in Prime-use with Rustless Steel moulding	8H 7320901-BP	1
49	9H73-74	R.H.-Lincoln Texture Tan Metallic Finish	8H 7320900-CAA	1
49	9H73-74	L.H.-Lincoln Texture Tan Metallic Finish	8H 7320901-CAA	1

Lincoln and Lincoln Cosmopolitan

BODY PARTS CATALOGUE

YEAR 19	BODY TYPES	REMARKS	PART NUMBER	NO. REQ'D
Group 20900-1 STRIP ASSEMBLY (FRONT DOOR WINDOW FINISH)-COMPLETE-CONTINUED				
49	9H76	R.H.-Biscay Blue Metallic Finish	8H 7620900-CAG	1
49	9H76	L.H.-Biscay Blue Metallic Finish	8H 7620901-CAG	1
49	9H76	R.H.-Royal Bronze Maroon Metallic Finish	8H 7620900-CAD	1
49	9H76	L.H.-Royal Bronze Maroon Metallic Finish	8H 7620901-CAD	1
49	9H76	R.H.-Calcutta Green Finish	8H 7620900-CAJ	1
49	9H76	L.H.-Calcutta Green Finish	8H 7620901-CAJ	1
49	9H76	R.H.-Lido Green Metallic Finish	8H 7620900-CAF	1
49	9H76	L.H.-Lido Green Metallic Finish	8H 7620901-CAF	1
49	9H76	R.H.-Lima Tan Metallic Finish	8H 7620900-CAE	1
49	9H76	L.H.-Lima Tan Metallic Finish	8H 7620901-CAE	1
49	9H76	R.H.-Calabash Yellow Finish	8H 7620900-CAH	1
49	9H76	L.H.-Calabash Yellow Finish	8H 7620901-CAH	1
49	9H76	R.H.-in Prime-use with Chrome moulding	8H 7620900-DP	1
49	9H76	L.H.-in Prime-use with Chrome moulding	8H 7620901-DP	1
49	9H76	R.H.-in Prime-use with Rustless Steel moulding	8H 7620900-CP	1
49	9H76	L.H.-in Prime-use with Rustless Steel moulding	8H 7620901-CP	1
49	9H72	Screw (Phillips head sheet metal)-No. 8 x 5/8"	350066-S13	10
49	9H73-74	Screw (Phillips head sheet metal)-No. 8 x 5/8"	350066-S13	8
Group 20925 CLIP (WINDOW REVEAL MOULDING)				
49	9L except 76	replaced by 8M-7020925	7A 7020925	8
49	9L except 76		8M 7020925	4
Group 20923-9 MOULDING AND STUD ASSEMBLY (FRONT DOOR PANEL)-LOWER-OUTSIDE				
49	9L72	R.H.	8L 7220928	1
49	9L72	L.H.	8L 7220929	1
49	9L74	R.H.	8L 7320928	1
49	9L74	L.H.	8L 7320929	1
49	9L76	R.H.	8L 7620928	1
49	9L76	L.H.	8L 7620929	1
49	9L	Lockwasher-1/4"	34805-S2	12or16
49	9L	Nut (hex)-1/4"-20	33781-S7	12or16
49	9L	Washer (flat)-1/4"	34745-S2	6
Group 20934-5 MOULDING (DOOR OUTSIDE)				
49	9L72	at belt-R.H.	8M 7020934	1
49	9L72	at belt-L.H.	8M 7020935	1
49	9L74	at belt-R.H.	8M 7320934	1
49	9L74	at belt-L.H.	8M 7320935	1
49	9H72	at belt-R.H.	7EH 7220934	1
49	9H72	at belt-L.H.	7EH 7220935	1
49	9H76	at belt-R.H.	8H 7620934	1
49	9H76	at belt-L.H.	8H 7620935	1
49	9L except 76	Retainer assy (moulding)	353276-S8	4
49	9L except 76	Retainer (moulding)	358168-S3	as req'd
49	9H76	Screw (Phillips binding head)-No. 6 x 3/8"	356793-S8	2

Lincoln and Lincoln Cosmopolitan

BODY PARTS CATALOGUE

YEAR 19	BODY TYPES	REMARKS	PART NUMBER	NO. REQ'D
Group 20954-5 MOULDING ASSEMBLY (FRONT DOOR WINDOW FINISH)				
49	9H72-76	R.H.-Rustless Steel	8H 7220954-A	1
49	9H72-76	L.H.-Rustless Steel	8H 7220955-A	1
49	9H72-76	R.H.-Chrome finish	8H 7220954-B	1
49	9H72-76	L.H.-Chrome finish	8H 7220955-B	1
49	9H73-74	R.H.-Rustless Steel	8H 7320954	1
49	9H73-74	L.H.-Rustless Steel	8H 7320955	1
49	9H73-74	R.H.-Chrome finish	8H 7320954-B	1
49	9H73-74	L.H.-Chrome finish	8H 7320955-B	1
Group 20956 MOULDING ASSEMBLY (FRONT DOOR TRIM PANEL) -LOWER				
49	9L72	Chrome finish	8L 7220956	2
49	9L except 74	Rustless Steel	8L 7020956	2
49	9L74	Rustless Steel	8L 7320956-A	2
49	9L74	Chrome finish	8L 7320956-B	2
49	9H72-76	Flat back 46-7/64" long	7EH 7220956	2
49	9H72-76	Curved back 45-13/16" long	8H 7220956	2
49	9H73-74	Flat back 36-25/32" long	7EH 7320956	2
49	9H73-74	Curved back 36-17/64" long	8H 7320956	2
Group 20964-5 STRIP ASSEMBLY (DOOR WINDOW FINISH) -LOWER				
49	9L76	R.H.-Mercury Texture Blue Metallic Finish	8L 7620964-C	1
49	9L76	L.H.-Mercury Texture Blue Metallic Finish	8L 7620965-C	1
49	9L76	R.H.-Gold Fleck Dark Gray Metallic Finish	8L 7620964-A	1
49	9L76	L.H.-Gold Fleck Dark Gray Metallic Finish	8L 7620965-A	1
49	9L76	R.H.-Lincoln Texture Green Metallic Finish	8L 7620964-B	1
49	9L76	L.H.-Lincoln Texture Green Metallic Finish	8L 7620965-B	1
49	9L76	R.H.-Lincoln Texture Tan Metallic Finish	8L 7620964-D	1
49	9L76	L.H.-Lincoln Texture Tan Metallic Finish	8L 7620965-D	1
Group 20972 CAP (DOOR LOCK PILLAR)				
49	9H76	R.H.	8H 7620972	1
49	9H76	L.H.	8H 7620973	1
49	9H76	Screw (Phillips binding head)-No. 6 x 3/8"	356793-88	4
Group 20984-5 MOULDING AND WEATHERSTRIP ASSEMBLY (FRONT DOOR WINDOW PANEL REVEAL)				
49	9L72	R.H.	8M 7020984-B	1
49	9L72	L.H.	8M 7020985-B	1
49	9L74	R.H.	8M 7320984-B	1
49	9L74	L.H.	8M 7320985-B	1
Group 20984-5 MOULDING ASSEMBLY (DOOR PANEL REVEAL) -OUTSIDE				
49	9L76	R.H.-47-29/32" long	8M 7620984	1
49	9L76	L.H.-47-29/32" long	8M 7620985	1
Group 20992-3 MOULDING AND CLIP ASSEMBLY (FRONT DOOR WINDOW PANEL REVEAL) -FRONT-OUTSIDE				
49	9L except 76	R.H.-replaced by 8M-7020984-B or 8M-7320984-B	7A 7020992	1
49	9L except 76	L.H.-replaced by 8M-7020985-B or 8M-7320985-B	7A 7020993	1

Lincoln and Lincoln Cosmopolitan

BODY PARTS CATALOGUE

YEAR 19	BODY TYPES	REMARKS	PART NUMBER	NO. REQ'D
Group 21010-1 MOULDING AND WEATHERSTRIP ASSEMBLY (FRONT DOOR BELT)-OUTSIDE				
49	9H72	R.H.-replaced by 7EH-7220934 Mldg. and 7EH-7221436 Weatherstrip	7EH 7221010	1
49	9H72	L.H.-replaced by 7EH-7220935 Mldg. and 7EH-7221437 Weatherstrip	7EH 7221011	1
49	9H73-74	R.H.-replaced by 8H-7321018 Mldg. and 8H-7321436 Weatherstrip	8H 7321010	1
49	9H73-74	L.H.-replaced by 8H-7321019 Mldg. and 8H-7321437 Weatherstrip	8H 7321011	1
49	9H	Screw (Phillips head sheet metal)-No. 6 x 1/2"	352381-S8	24or26
49	9H72-76	Screw (binding head self tapping)-No. 6 x 3/8"	33434-S	16
49	9H73-74	Screw (binding head Type "A" self tapping)-No. 6 x 3/8"	32914-S2	4
49	9H73-74	Screw (binding head self tapping)-No. 6 x 3/8"	33434-S	12
Group 21018-9 MOULDING ASSEMBLY (FRONT DOOR BELT)				
49	9H73-74	R.H.	8H 7321018	1
49	9H73-74	L.H.	8H 7321019	1
Group 21170-1 MOULDING ASSEMBLY (DOOR WINDOW FINISH STRIP)-LOWER				
49	9L76	R.H.-44-41/64" long	8L 7621170	1
49	9L76	L.H.-44-41/64" long	8L 7621171	1
Group 21172 MOULDING (FRONT DOOR FINISH STRIP)-LOWER				
49	9L72	Rustless Steel	8L 7021172-A	2
49	9L72	Chrome finish	8L 7021172-B	2
49	9L74	Rustless Steel	8L 7321172-A	2
49	9L74	Chrome finish	8L 7321172-B	2
Group 21228-9 FRAME AND GLASS ASSEMBLY (FRONT DOOR VENT WINDOW)				
49	9L76	R.H.	8L 7621228	1
49	9L76	L.H.	8L 7621229	1
49	9H except 76	R.H.	8H 7321228	1
49	9H except 76	L.H.	8H 7321229	1
49	9H76	R.H.	8H 7621228	1
49	9H76	L.H.	8H 7621229	1
49	9H except 76	Nut (square head)-1/4"-28	34143-S2	2
Group 21388-9 PAD (DOOR GLASS FRAME TO DOOR PANEL)-HINGE SIDE				
49	9L76	R.H.	8M 7621388-A	1
49	9L76	L.H.	8M 7621389-A	1
Group 21400-1 GLASS, CHANNEL ANT FRAME ASSEMBLY (DOOR)				
49	9H76	R.H.	8H 7621400	1
49	9H76	L.H.	8H 7621401	1
Group 21402-3 VENTILATING WINDOW AND FINISH STRIP ASSEMBLY (FRONT DOOR)-COMPLETE				
49	9L72	R.H.-Mercury Texture Blue Metallic Finish	8L 7021402-C	1
49	9L72	L.H.-Mercury Texture Blue Metallic Finish	8L 7021403-C	1
49	9L72	R.H.-Gold Fleck Dark Gray Metallic Finish	8L 7021402-A	1
49	9L72	L.H.-Gold Fleck Dark Gray Metallic Finish	8L 7021403-A	1
49	9L72	R.H.-Lincoln Texture Green Metallic Finish	8L 7021402-B	1
49	9L72	L.H.-Lincoln Texture Green Metallic Finish	8L 7021403-B	1
49	9L72	R.H.-Lincoln Texture Tan Metallic Finish	8L 7021402-D	1
49	9L72	L.H.-Lincoln Texture Tan Metallic Finish	8L 7021403-D	1
49	9L72	R.H.-in Prime	8L 7021402-AP	1
49	9L72	L.H.-in Prime	8L 7021403-AP	1
49	9L74	R.H.-Mercury Texture Blue Metallic Finish-repl. by 8L-7321402-AP	8L 7321402-C	1
49	9L74	L.H.-Mercury Texture Blue Metallic Finish-repl. by 8L-7321403-AP	8L 7321403-C	1
49	9L74	R.H.-Gold Fleck Dark Gray Metallic Finish	8L 7321402-A	1
49	9L74	L.H.-Gold Fleck Dark Gray Metallic Finish	8L 7321403-A	1
49	9L74	R.H.-Lincoln Texture Green Metallic Finish-repl. by 8L-7321402-AP	8L 7321402-B	1
49	9L74	L.H.-Lincoln Texture Green Metallic Finish-repl. by 8L-7321403-AP	8L 7321403-B	1

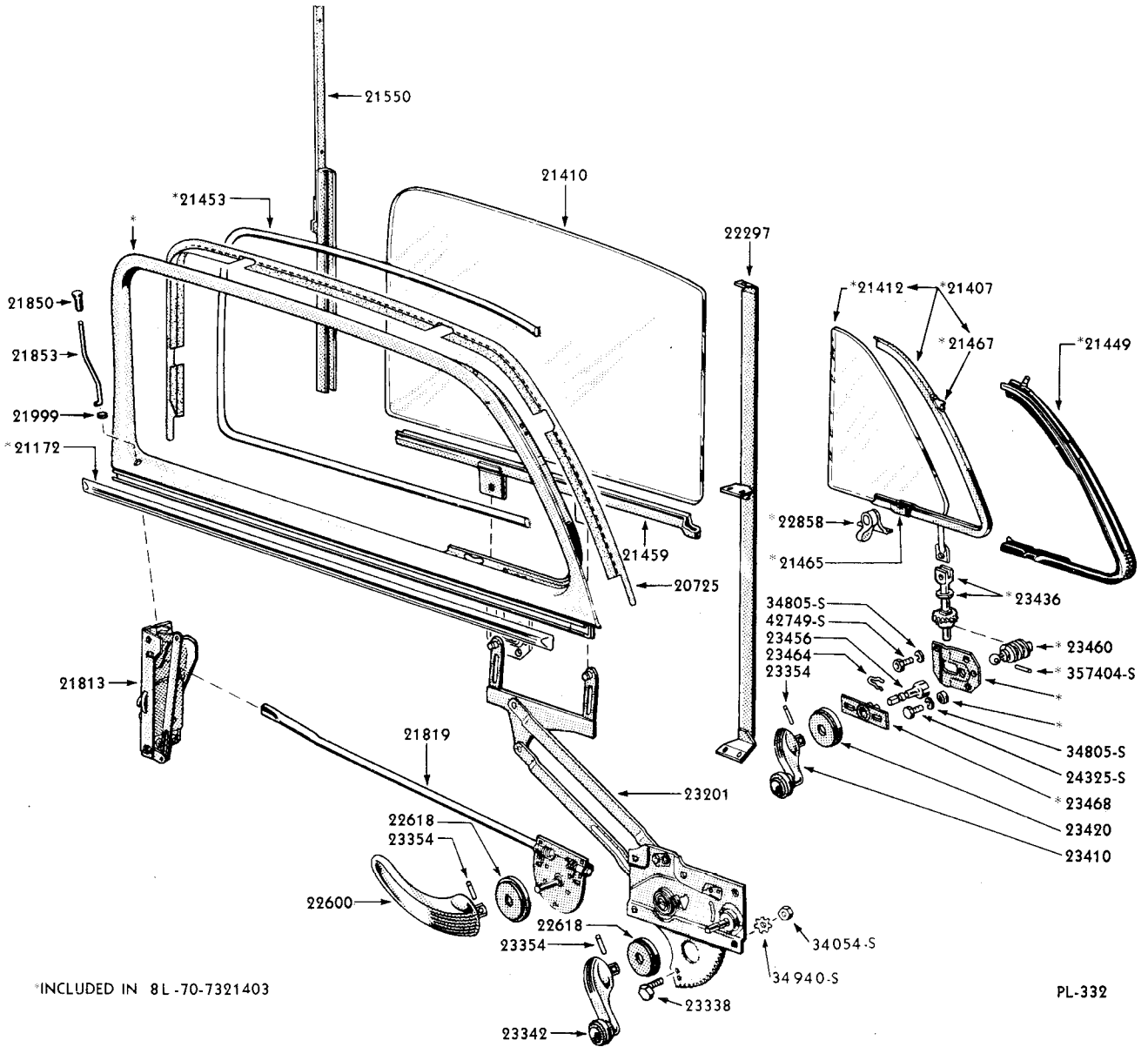
Lincoln and Lincoln Cosmopolitan

BODY PARTS CATALOGUE

YEAR 19	BODY TYPES	REMARKS	PART NUMBER	NO. REQ'D
Group 21402-3 VENTILATING WINDOW AND FINISH STRIP ASSEMBLY (FRONT DOOR)-COMPLETE-CONTINUED				
49	9L74	R.H.-Lincoln Texture Tan Metallic Finish-repl. by 8L-7321402-AP	8L 7321402-D	1
49	9L74	L.H.-Lincoln Texture Tan Metallic Finish-repl. by 8L-7321403-AP	8L 7321403-D	1
49	9L74	R.H.-in Prime	8L 7321402-AP	1
49	9L74	L.H.-in Prime	8L 7321403-AP	1
49	9L	Bolt (hex head)-1/4"-28	20325-S7	4
49	9L	Screw (Phillips head sheet metal)-No. 8 x 3/4"	350095-S13	10
49	9L	Screw and lockwasher assy-1/4"-28 x 3/8"	42749-S8	4
49	9L,9H	Pin (grooved)-1/8" x 23/32"	357404-S7	2
49	9L76	Washer (flat)-1/4"	34745-S2	8
Group 21402-3 WINDOW ASSEMBLY (FRONT DOOR VENTILATING)-COMPLETE				
49	9L76	R.H.	8L 7621402	1
49	9L76	L.H.	8L 7621403	1
49	9H76	R.H.	8H 7621402	1
49	9H76	L.H.	8H 7621403	1
49	9L76	Lockwasher-No. 10	34803-S7	2
49	9L76	Screw (Phillips oval head self tapping)-No. 8 x 7/8"	350067-S13	10
49	9L76	Washer (flat)-1/4"	34745-S2	8
49	9H76	Rivet (extended type)-1/8" x 3/16"	356860-S7	8
Group 21406-7 GLASS AND FRAME ASSEMBLY (FRONT DOOR VENTILATING WINDOW)				
49	9L except 76	R.H.	8L 7221406-A	1
49	9L except 76	L.H.	8L 7221407-A	1
Group 21410 GLASS ASSEMBLY (FRONT DOOR WINDOW)				
49	9L72		8M 7021410-A	2
49	9L74		8M 7321410-A	2
49	9L76		8M 7621410-A	2
49	9H72		7EH 7221410	2
49	9H73-74		7EH 7321410	2
49	9H76		8H 7621410	2
Group 21412 GLASS ASSEMBLY (FRONT DOOR VENT WINDOW)				
49	9L except 76		8M 7021412-A	2
49	9L76		8M 7621412-A	2
49	9H except 76		8H 7321412	2
49	9H76		8H 7621412	2
Group 21424 STRIP (FRONT DOOR GLASS RETAINING)				
49	9L72	27-1/4" long-replaced by M-17779-A	8M 7021424-D	2
49	9L74	17-25/32" long-replaced by M-17779-A	8M 7321424-D	2
49	9H72	28-47/64" long-replaced by M-17779-A	7EH 7221424-H2	
49	9H73-74	19-19/64" long-replaced by M-17779-A	7EH 7321424-H	2
Group 21436-7 WEATHERSTRIP (FRONT DOOR WINDOW GLASS)-OUTER				
49	9H72	R.H.	7EH 7221436	1
49	9H72	L.H.	8H 7221437	1
49	9H73-74	R.H.	8H 7321436	1
49	9H73-74	L.H.	8H 7321437	1
49	9H76	R.H.	8H 7621436	1
49	9H76	L.H.	8H 7621437	1

Lincoln and Lincoln Cosmopolitan

BODY PARTS CATALOGUE



1949 LINCOLN DOOR PARTS

Group numbers only shown on illustration. Order by Part Numbers shown in list of parts.

YEAR 19__	BODY TYPES	REMARKS	PART NUMBER	NO. REQ'D
	Group 21438	WEATHERSTRIP (FRONT DOOR WINDOW GLASS)-INNER		
49	9H72		8H 7221438	2
49	9H73-74		8H 7321438	2
49	9H76		8H 7621438	2
	Group 21444	WEATHERSTRIP (DOOR GLASS CHANNEL)-UPPER		
49	9H76		8H 7621444-A	2

Lincoln and Lincoln Cosmopolitan

BODY PARTS CATALOGUE

YEAR 19	BODY TYPES	REMARKS	PART NUMBER	NO. REQ'D
Group 21448-9 WEATHERSTRIP (FRONT DOOR VENT WINDOW)				
49	9L except 76	R.H.	7A 7021448	1
49	9L except 76	L.H.	7A 7021449	1
49	9L76	R.H.	8M 7621448	1
49	9L76	L.H.	8M 7621449	1
49	9H76	R.H.	8H 7621448	1
49	9H76	L.H.	8H 7621449	1
Group 21450 WEATHERSTRIP (DOOR VENT WINDOW DIVISION BAR)				
49	9L except 76		7A 7021450-A	2or4
Group 21452-3 WEATHERSTRIP (DOOR WINDOW OPENING)				
49	9L72	R.H.	8M 7021452-A	2
49	9L72	L.H.	8M 7021453-A	2
49	9L74	R.H.	8M 7321452-A	2
49	9L74	L.H.	8M 7321453-A	2
Group 21452 WEATHERSTRIP (DOOR WINDOW GLASS)				
49	9L76		7A 7621452	4
Group 21454 WEATHERSTRIP (DOOR VENT WINDOW FRAME)-REAR				
49	9L76		8M 7621454	2
49	9H76		8H 7621454	2
Group 21458-9 CHANNEL ASSEMBLY (FRONT DOOR GLASS)				
49	9L72	R.H.-Manual Control	8M 7021458-A	1
49	9L72	L.H.-Manual Control	8M 7021459-A	1
49	9L72	R.H.-Hydraulic Control	8M 7021458-B	1
49	9L72	L.H.-Hydraulic Control	8M 7021459-B	1
49	9L74	R.H.-Manual Control	8M 7321458-A	1
49	9L74	L.H.-Manual Control	8M 7321459-A	1
49	9L74	R.H.-Hydraulic Control	8M 7321458-B	1
49	9L74	L.H.-Hydraulic Control	8M 7321459-B	1
49	9L72-74	Bolt (hex head)-1/4"-28 x 5/8"	20325-S7	4or8
49	9L72-74	Nut (lock)-1/4"-20	34391-S7	4or8
49	9L72-74	Washer (flat)-1/4"	34705-S2	4or8
Group 21458-9 CHANNEL ASSEMBLY (DOOR WINDOW GLASS LIFTER)				
49	9L76	R.H.-with flange on retainer-use with 7A-7621510-A weatherstrip	8M 7621458-A	1
49	9L76	L.H.-with flange on retainer-use with 7A-7621510-A weatherstrip	8M 7621459-A	1
49	9L76	R.H.-without flange on retainer-use with 8M-7621510 weatherstrip	8M 7621458-B	1
49	9L76	L.H.-without flange on retainer-use with 8M-7621510 weatherstrip	8M 7621459-B	1
Group 21460-1 WEATHERSTRIP (FRONT DOOR VENT WINDOW)				
49	9H except 76	R.H.	8H 7321460	1
49	9H except 76	L.H.	8H 7321461	1
Group 21462-3 CHANNEL AND BRACKET ASSEMBLY (FRONT DOOR GLASS)				
49	9H72	Hydraulic Control	8H 7221462	2
49	9H73-74	Hydraulic Control	8H 7321462	2
49	9H76	R.H.-Hydraulic Control	8H 7621462	1
49	9H76	L.H.-Hydraulic Control	8H 7621463	1

Lincoln and Lincoln Cosmopolitan

BODY PARTS CATALOGUE

YEAR 19	BODY TYPES	REMARKS	PART NUMBER	NO. REQ'D
Group 21464-7 HINGE (FRONT DOOR VENTILATING WINDOW)-UPPER				
49	9L except 76	R.H.-on moulding	7A 7021464	1
49	9L except 76	L.H.-on moulding	7A 7021465	1
49	9L except 76	R.H.-on frame	7A 7021466	1
49	9L except 76	L.H.-on frame	7A 7021467	1
Group 21478 STRIP (DOOR VENT WINDOW GLASS RETAINING)				
49	9H except 76	secure locally-24" long-.060" thick-1-3/8" wide-Rubber tape	8H 7321478-E	2
49	9H except 76	secure locally-24" long-.070" thick-1-3/8" wide-Rubber tape	8H 7321478-F	2
Group 21487 WEATHERSTRIP (FRONT DOOR VENT WINDOW SEAL AT BELT)				
49	9H72-73		8H 7321487	2
Group 21508-9 RUN ASSEMBLY (DOOR GLASS)-LOCK SIDE-COMPLETE				
49	9L76	R.H.	7A 7621508	1
49	9L76	L.H.	7A 7621509	1
49	9L76	Nut (lock)-1/4"-20	34390-S7	4
Group 21510 WEATHERSTRIP (FRONT DOOR GLASS CHANNEL)				
49	9L72	27-1/4" long-replaced by 7EH-7221510 for service	8M 7021510	2
49	9L74	17-25/32"-replaced by 7EH-7221510 for service	8M 7321510	2
49	9H72	28-63/64" long	7EH 7221510	2
49	9H73-74	19-17/32" long-replaced by 7EH-7221510 for service	7EH 7321510	2
Group 21510 WEATHERSTRIP (DOOR GLASS CHANNEL)-LOWER				
49	9L76	19/32" high 5/32" inside lip used on 8M-7621458-9-A	7A 7621510-A	2
49	9L76	21/32" high 3/8" inside lip used on 8M-7621458-9-B	8M 7621510	2
49	9H76	28-3/4" long	8H 7621510-A	2
Group 21538 SUPPORT ASSEMBLY (DOOR GLASS RUN)-LOWER				
49	9L76		8M 7621538	4
49	9L76	Screw (binding head)-1/4"-20 x 5/8"	39072-S2	4
49	9L76	Screw and lockwasher assy (hex head)-1/4"-20 x 5/8"	43263-S8	4
Group 21544 WEATHERSTRIP (FRONT DOOR GLASS HEADER)				
49	9L72	30-57/64"	8M 7021544	2
49	9L74	20-5/32" long-replaced by 8M-7021544 for service	8M 7321544	2
Group 21546-7 RUN (DOOR GLASS)-HINGE SIDE				
49	9L76	R.H.	7A 7621546	1
49	9L76	L.H.	7A 7621547	1
Group 21546 WEATHERSTRIP (DOOR VENT WINDOW DIVISION BAR)				
49	9H76		8H 7621546	2
Group 21548 RUN (FRONT DOOR GLASS)-UPPER				
49	9H72		7EH 7221548	2
49	9H73-74		7EH 7321548	2
Group 21550 RUN ASSEMBLY (DOOR GLASS)-LOCK SIDE-COMPLETE				
49	9L except 76		7A 7021550	2or6
49	9H73-74	rear door front	7EH 7321550	2or4
49	9H except 76	front door rear	7EH 7321550	2or4
49	9L74	Nut (hex)-No. 10-32	34079-S7	4

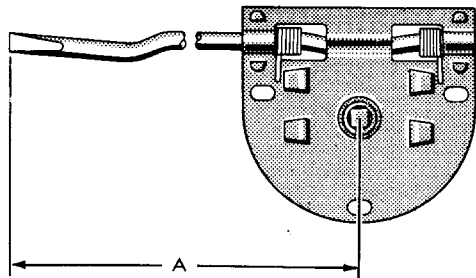
Lincoln and Lincoln Cosmopolitan

BODY PARTS CATALOGUE

YEAR 19	BODY TYPES	REMARKS	PART NUMBER	NO. REQ'D
Group 21572-3 RETAINER (DOOR GLASS RUN)-LOCK SIDE				
49	9L except 76	R.H.-14 7/32" long	8M 7021572	1or2
49	9L except 76	L.H.-14-7/32" long	8M 7021573	1or2

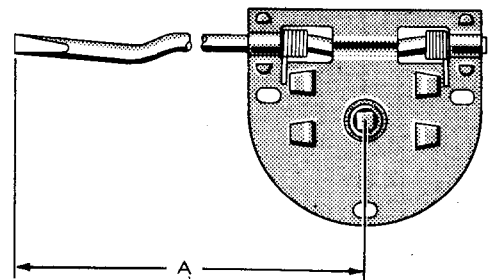
Group 21702-3 CHANNEL AND BRACKET ASSEMBLY (DOOR WINDOW GLASS RUN)-LOCK SIDE				
49	9H76	R.H.	8H 7621702	1
49	9H76	L.H.	8H 7621703	1

Group 21812-3 LOCK ASSEMBLY (FRONT DOOR)				
49	9L	R.H.-Pull Type Handle	8M 7021812	1
49	9L	L.H.-Pull Type Handle	8M 7021813	1
49	9L,9H	R.H.-Push Button Type Handle	8H 7321812	1
49	9L,9H	L.H.-Push Button Type Handle	8H 7321813	1
49	9L,9H	Screw and lockwasher assy (oval head)-No. 10-32 x 1/2"	50697-88	8or16



PART NO.	A
8M-7021818-9	26 ³ / ₄ "
8M-7321819-9	16 ¹ / ₄ "
8M-7326404-5	7 ² / ₂ "

PM-283



PART NO.	A
7EH-7221830-1	26 ³ / ₁₆ "
7EH-7321830-1	17 ³ / ₄ "
7EH-7326406-7	13 ³ / ₄ "

PL-314

Group 21818-9 CONTROL ASSEMBLY (FRONT DOOR LOCK REMOTE)				
49	9L72-76	R.H.	8M 7021818	1
49	9L72-76	L.H.	8M 7021819	1
49	9L74	R.H.	8M 7321818	1
49	9L74	L.H.	8M 7321819	1

Group 21830-1 CONTROL ASSEMBLY (FRONT DOOR LOCK REMOTE)				
49	9H72-76	R.H.	7EH 7221830	1
49	9H72-76	L.H.	7EH 7221831	1
49	9H73-74	R.H.	7EH 7321830	1
49	9H73-74	L.H.	7EH 7321831	1
49	9H	Lockwasher (internal tooth)-No. 12	34904-S2	6
49	9H	Screw (binding head)-No. 12-24 x 1/2"	39049-S2	6
49	9H	Screw and lockwasher assy-No. 12-24 x 7/16"	355169-S2	6

Group 21850 KNOB (DOOR LOCKING CONTROL ROD)				
49	9L,9H	Gold Fleck Dark Gray Metallic Finish	8H 7321850-B	2or4
49	9L,9H	Chrome Finish	8H 7321850-C	2or4

Lincoln and Lincoln Cosmopolitan

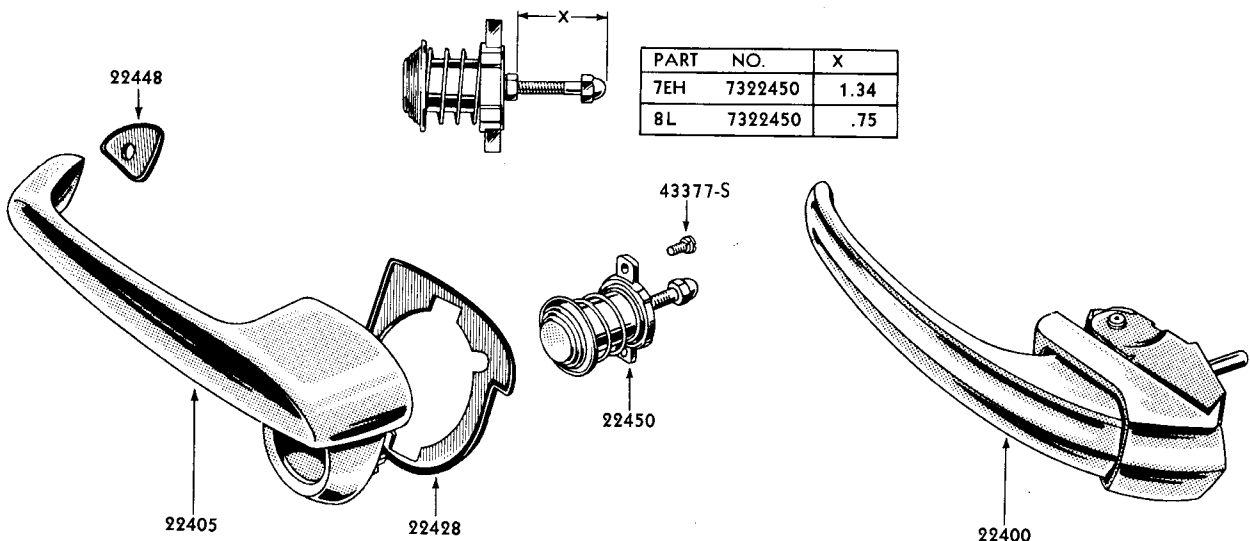
BODY PARTS CATALOGUE

YEAR 19	BODY TYPES	REMARKS	PART NUMBER	NO. REQ'D
Group 21852-3 ROD (DOOR LOCK SAFETY CATCH)				
49	9L except 76	R.H.	8M 7021852-A	1or2
49	9L except 76	L.H.	8M 7021853-A	1or2
49	9L76	R.H.	8M 7621852-A	1
49	9L76	L.H.	8M 7621853-A	1
49	9H		7EH 7321852	2or4
Group 21976 PAD (ANTI RATTLER DOOR LOCKING KNOB)				
49	9L,9H		8L 7321976	2or4
Group 21984-5 LOCK CYLINDER AND SLEEVE ASSEMBLY (DOOR PANEL)-COMPLETE WITH KEY				
49	9L	R.H.	8L 7321984	1
49	9L	L.H.	8L 7321985	1
49	9L,9H	R.H.	8H 7321984	1
49	9L,9H	L.H.	8H 7321985	1
49	9L,9H	Screw Set Socket Hex No. 10-32	355114-S7-8	2
Group 21999 FERRULE (DOOR LOCK KNOB)				
49	9H	Brass	16H 7321999-A	2or4
49	9L,9H	Rubber	8H 7221999	2or4
Group 22020 PLATE ASSEMBLY (DOOR LOCK STRIKER TAPPING)				
49	9L,9H		7EH 7322020	2or4
Group 22058 SHIM (DOOR LOCK STRIKER PLATE)				
49	9L,9H	2-13/32" x 1-3/16"	8M 7022058	as req'd
Group 22078-9 PLATE ASSEMBLY (DOOR LOCK LATCH PIN)				
49	9L,9H	R.H.	8H 7322078	1or2
49	9L,9H	L.H.	8H 7322079	1or2
49	9H	Lockwasher (external tooth)-1/4"	34954-S7	4or8
49	9H72-73-74	Screw (flat head-Phillips)-1/4"-28 x 5/8"	50026-S8	4or8
49	9L except 76	Screw and lockwasher assy (flat head)-1/4"-28 x 1/2"	355307-S7	4or8
Group 22218-9 FRAME ASSEMBLY (DOOR GLASS)-COMPLETE				
49	9L76	R.H.-with flange on channel retainer-use with 7A-7621510-A weatherstrip	8M 7622218-A	1
49	9L76	L.H.-with flange on channel retainer-use with 7A-7621510-A weatherstrip	8M 7622219-A	1
49	9L76	R.H.-without flange on channel retainer-use with 8M-7621510 weatherstrip	8M 7622218-B	1
49	9L76	L.H.-without flange on channel retainer-use with 8M-7621510 weatherstrip	8M 7622219-B	1
Group 22220-1 FRAME ASSEMBLY (FRONT DOOR)-UPPER-LESS DIVISION BAR				
49	9H72	R.H.	8H 7222220	1
49	9H72	L.H.	8H 7222221	1
49	9H73-74	R.H.	8H 7322220	1
49	9H73-74	L.H.	8H 7322221	1
49	9H except 76	Bolt and lockwasher assy (hex head)-1/4"-28 x 5/16"	350197-S7	2
49	9H except 76	Bolt and lockwasher assy (hex head)-1/4"-28 x 9/16"	350198-S7	2
49	9H except 76	Bolt and lockwasher assy (hex head)-1/4"-28 x 5/8"	350199-S7	2
49	9H except 76	Washer (flat)-1/4"	34745-S2	4
Group 22274 SHIM (DOOR VENT WINDOW FRAME TO INSIDE PANEL REAR BRACKET EXTENSION)				
49	9L76	2-7/8" long	8M 7622274	as req'd

Lincoln and Lincoln Cosmopolitan

BODY PARTS CATALOGUE

YEAR 19	BODY TYPES	REMARKS	PART NUMBER	NO. REQ'D
Group 22296-7 BAR AND BRACKET ASSEMBLY (FRONT DOOR VENTILATION WINDOW DIVISION BAR)-INCLUDING WEATHERSTRIP				
49	9L except 76	R.H.-replaced by 8M-7022296-B	8M 7022296-A	1
49	9L except 76	L.H.-replaced by 8M-7022297-B	8M 7022297-A	1
49	9L except 76	R.H.	8M 7022296-B	1
49	9L except 76	L.H.	8M 7022297-B	1
49	9L74	R.H.-rear door-replaced by 8M-7422296-B	8M 7422296-A	1
49	9L74	L.H.-rear door-replaced by 8M-7422297-B	8M 7422297-A	1
49	9L74	R.H.-rear door	8M 7422296-B	1
49	9L74	L.H.-rear door	8M 7422297-B	1
49	9H except 76	R.H.	8H 7322296	1
49	9H except 76	L.H.	8H 7322297	1
49	9L except 76	Screw and lockwasher assy (binding head)-No. 10-32 x .62	355167-S8	2
49	9L except 76	Screw and lockwasher assy (hex head)-1/4"-28 x 7/8"	350236-S8	4
49	9L except 76	Screw (binding head machine)-No. 10-32 x 3/8"	39032-S7	2
49	9L except 76	Screw (binding head self tapping)-No. 14 x 1/4"	31477-S2	4or8
49	9L except 76	Nut (speed)-No. 14A	352312-S32	4
49	9L72-74	Screw and lockwasher assy (binding head self tapping)- No. 10-32 x 3/8"	42802-S8	2
49	9L72-74	Screw and washer assy-1/4"-28 x 1/2"	42907-S8	4
Group 22300 STOP ASSEMBLY (GLASS FRAME ASSEMBLY)-FRONT				
49	9H76		06H 7622300	4
49	9H76	Rivet (tubular)-3/32" x 5/16"	63557-S	4
Group 22320 BUMPER (DOOR GLASS FRAME STOP)-FRONT				
49	9H76		06H 7622320	4



1949 DOOR HANDLES (OUTSIDE)

Group numbers only shown on illustration. Order by Part Numbers shown in list of parts.

Lincoln and Lincoln Cosmopolitan

BODY PARTS CATALOGUE

YEAR 19	BODY TYPES	REMARKS	PART NUMBER	NO. REQ'D
Group 22400 HANDLE ASSEMBLY (DOOR OUTSIDE)				
49	9L	Pull Type Handle	8L 7322400-A	2or4
49	9L	Lockwasher-1/4"	34805-S2	2or4
49	9L	Screw (round head machine)-1/4"-28 x 1/2"	27083-S2	2or4
49	9L	Screw and lockwasher assy (round head)-1/4"-28 x 1/2"	42900-S8	2or4
Group 22404-5 HANDLE (DOOR OUTSIDE)				
49	9L,9H	R.H.-Push Button Type	7EH 7322404	1or2
9H	9L,9H	L.H.-Push Button Type	7EH 7322405	1or2
49	9L,9H	Screw and lockwasher assy (external tooth)-No. 10-32 x 3/8"	42802-S8	4or8
Group 22428 PAD (DOOR OUTSIDE HANDLE)-LARGE				
49	9L,9H	Rubber	7EH 7322428	2or4
Group 22448 PAD (DOOR OUTSIDE HANDLE)-SMALL				
49	9L,9H	Rubber	7EH 7322448	2or4
Group 22450 BUTTON ASSEMBLY (DOOR OUTSIDE HANDLE)				
49	9L,9H	Push Button Type	7EH 7322450	2or4
49	9H	Lockwasher (light)-No. 10	34803-S7	2or4
49	9L72-74,9H	Bolt-No. 10-32 x 2"	350193-S7	2or4
49	9H	Screw and lockwasher assy (pan head)-No. 6-32 x 3/8"	43377-S8	4or8
Group 22466-7 PLATE (DOOR HANDLE FINGER SCUFF)-OUTSIDE				
49	9L	R.H.	8L 7222466	1
49	9L	L.H.	8L 7222467	1
Group 22600 HANDLE ASSEMBLY (DOOR INSIDE)				
49	9L,9H		8H 7322600	2or4
Group 22618 ESCUTCHEON ASSEMBLY (DOOR INSIDE HANDLE AND WINDOW REGULATOR HANDLE)				
49	9L,9H		8H 7322618	2or8
Group 22800-1 HINGE ASSEMBLY (FRONT DOOR)-UPPER				
49	9L	R.H.	8M 7022800	1
49	9L	L.H.	8M 7022801	1
49	9H	R.H.	7EH 7322800	1
49	9H	L.H.	7EH 7322801	1
49	9H	Screw and lockwasher assy (oval head)-5/16"-24	355469-S2	as req'd
49	9L	Nut (lock)-5/16"-24	34393-S7	as req'd
Group 22810-1 HINGE ASSEMBLY (FRONT DOOR)-LOWER				
49	9L	R.H.	8M 7022810	1
49	9L	L.H.	8M 7022811	1
49	9H		7EH 7322810	2
49	9L,9H	Screw and lockwasher assy (oval head)-5/16"-24	355469-S2	as req'd
49	9L	Nut (lock)-5/16"-24	34393-S7	as req'd

Lincoln and Lincoln Cosmopolitan

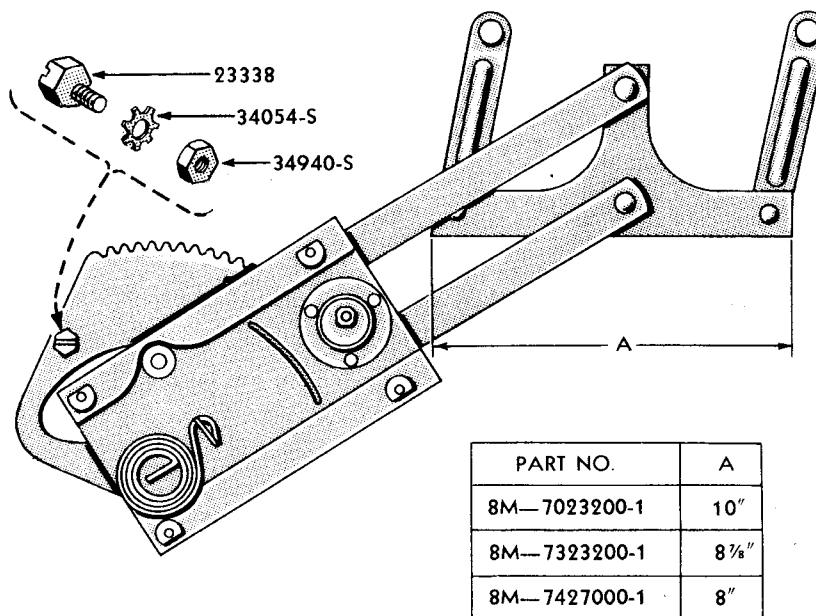
BODY PARTS CATALOGUE

YEAR 19	BODY TYPES	REMARKS	PART NUMBER	NO. REQ'D
Group 22840 PIN (DOOR HINGE)				
49	9L		8M 7022840-B	4or8
49	9H		7EH 7322840	4or8
Group 22858 LATCH ASSEMBLY (DOOR VENT WINDOW)				
49	9L except 76		11A 7022858-A	2
49	9H except 76		8H 7322858	2
Group 22884-5 RAINSHIELD (FRONT DOOR VENTILATING WINDOW)				
49	9L except 76	R.H.	7A 7022884	1
49	9L except 76	L.H.	7A 7022885	1
49	9H except 76	R.H.	7EH 7322884	1
49	9H except 76	L.H.	7EH 7322885	1
49	9L except 76	Screw (binding head self tapping)-No. 4 x 1/2"	32905-S8	8
49	9H except 76	Screw (binding head sheet metal)-No. 6 x 1/4"	356776-S7	6
Group 22916-7 HANDLE (DOOR VENTILATOR WINDOW FRAME)				
49	9L74	R.H.-rear door	01A 7022916-B	1or2
49	9L74	L.H.-rear door	01A 7022917-B	1or2
Group 22920 KEY (DOOR VENTILATOR WINDOW FRAME)				
49	9L74	rear door	01A 7022920	2
Group 22921 PLATE (DOOR DIVISION CHANNEL LOWER BRACKET TAPPING)				
49	9L except 76		7A 7022921	2or4
Group 22924 PLATE (DOOR VENTILATOR WINDOW LOCK)				
49	9L74	rear door	01A 7022924-B	2
Group 22926 SPRING (FRONT DOOR VENTILATOR WINDOW PIVOT)				
49	9L74		01A 7022926	2
49	9H except 76		01A 7022926	2
Group 22928-9 BRACKET (DOOR DIVISION CHANNEL)-LOWER				
49	9H, except 76	R.H.	7EH 7322928	1
49	9H, except 76	L.H.	7EH 7322929	1
49	9H76	R.H.	8H 7622928	1
49	9H76	L.H.	8H 7622929	1
49	9H76	Bolt (hex head)-1/4"-20 x 5/8"	24324-S7	3
49	9H76	Nut (lock)-1/4"-20	34390-S7	3
49	9H	Screw and washer assy (binding head)-No. 10-32 x 3/8"	42802-S8	2
49	9H76	Washer (flat)-1/4"	34745-S2	4
Group 22938 BRACKET AND HANDLE SHAFT ASSEMBLY (DOOR VENTILATOR WINDOW)				
49	9L74	rear door	01A 7022938	2
Group 22963 WASHER (FRONT DOOR VENTILATOR WINDOW PIVOT FRICTION)				
49	9H except 76		01A 7022963	2
Group 22982 WASHER (DOOR VENTILATOR WINDOW PIVOT)				
49	9L74	rear door	01A 7022982	2
Group 22984 BUTTON (DOOR VENTILATOR WINDOW HANDLE)				
49	9L74	rear door	01A 7022984	2
Group 22986 SPRING (DOOR VENTILATOR WINDOW HANDLE)				
49	9L74	rear door	01A 7022986	2

Lincoln and Lincoln Cosmopolitan

BODY PARTS CATALOGUE

YEAR 19	BODY TYPES	REMARKS	PART NUMBER	NO. REQ'D
Group 23038-9 WEATHERSTRIP (DOOR VENT WINDOW FRONT LOWER CORNER)				
49	9H76	R.H.	8H 7623038	1
49	9H76	L.H.	8H 7623039	1
Group 23050 SUPPORT ASSEMBLY (FRONT DOOR VENT WINDOW FRONT AND REAR FRAME BRACKET)-LOWER				
49	9L76		11A 7623050	2
49	9L76	Screw and lockwasher assy (hex head)-1/4"-20 x 5/8"	43263-S8	2
Group 23058 BRACKET (DOOR VENT WINDOW LATCH LOCKING)				
49	9L except 76		11A 7023058	2
49	9H except 76		8H 7323058	2



PM-282

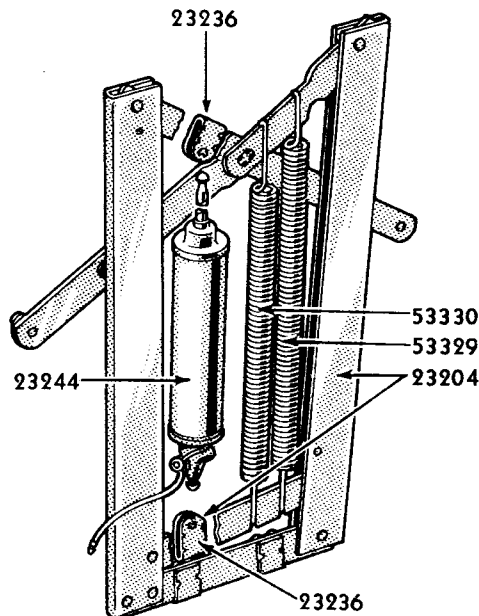
WINDOW REGULATOR MANUAL CONTROL

Group numbers only shown on illustration. Order by Part Numbers shown in list of parts.

Group 23200-1 REGULATOR ASSEMBLY (FRONT DOOR WINDOW)				
49	9L72	R.H.-Manual Control	8M 7023200-A	1
49	9L72	L.H.-Manual Control	8M 7023201-A	1
49	9L except 76	R.H.-Hydraulic Control-front and rear door	8M 7023200-B	1or2
49	9L except 76	L.H.-Hydraulic Control-front and rear door	8M 7023201-B	1or2
49	9L74	R.H.-Manual Control	8M 7323200-A	1
49	9L74	L.H.-Manual Control	8M 7323201-A	1
49	9L76	R.H.-Hydraulic Control	8M 7623200	1
49	9L76	L.H.-Hydraulic Control	8M 7623201	1
49	9H	Hydraulic Control-front and rear door	8H 7323200-A	2or4
49	9H	Connector (inverted male hex type)-9/16"	353002-S	2or4
49	9L except 76	Nut (hex)-No. 12-24	34054-S2	2
49	9L except 76,9H	Washer (flat)-5/16"	34706-S2	4or8
49	9L except 76	Lockwasher (internal and external tooth)-No. 12	351281-S2-A1	2
49	9H	Washer (lock)-5/16"	34806-S2	4or8

Lincoln and Lincoln Cosmopolitan

BODY PARTS CATALOGUE



PM-267

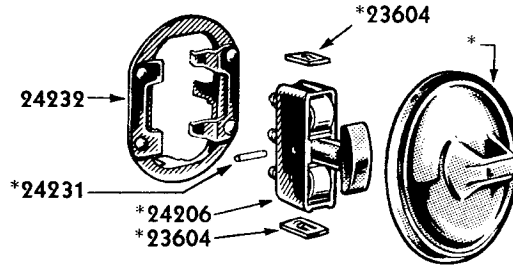
WINDOW REGULATOR HYDRAULIC CONTROL

Group numbers only shown on illustration. Order by Part Numbers shown in list of parts.

YEAR 19	BODY TYPES	REMARKS	PART NUMBER	NO. REQ'D
Group 23204 FRAME ASSEMBLY (DOOR HYDRAULIC WINDOW REGULATOR)				
49	9H		8H 7323204	2or4
49	9H	Lockwasher-5/16"	34806-S2	4or8
49	9H	Nut (hex)-5/16"-24-regulator to support	33784-S7	4or8
49	9H	Nut (hex)-1/4"-28-window regulator arm roller support and retainer to channel	33796-S7	8
49	9H	Washer (flat)-5/16" regulator to support	34706-S2	4or8
49	9H except 76	Bolt (hex head)-1/4"-28 x 5/8"-window regulator arm roller support and retainer to channel	20325-S7	8
49	9H except 76	Washer (flat)-1/4"-window regulator arm roller support and retainer to channel	34705-S2	8
49	9H except 76	Lockwasher-1/4" window regulator arm roller support and retainer to channel	34805-S2	8
Group 23236 BRACKET (DOOR HYDRAULIC WINDOW REGULATOR ARM)				
49	9L		51A 7123236	5or9
49	9H		51A 7123236	9
Group 23244 CYLINDER ASSEMBLY (DOOR HYDRAULIC WINDOW REGULATOR)				
49	9L		8L 7323244	2or4
49	9H		8H 7323244	2or4
49	9H	Connector (inverted male hex type)-9/16"	353002-S	2or4
Group 23257 SPRING (FRONT DOOR WINDOW REGULATOR ARM STUD RETAINING)				
49	9L except 76		11A 7023257	4or8
Group 23259 WASHER (WINDOW REGULATOR ARM ATTACHING BRACKET)				
49	9L except 76, 9H		11A 7023259	8or12

Lincoln and Lincoln Cosmopolitan

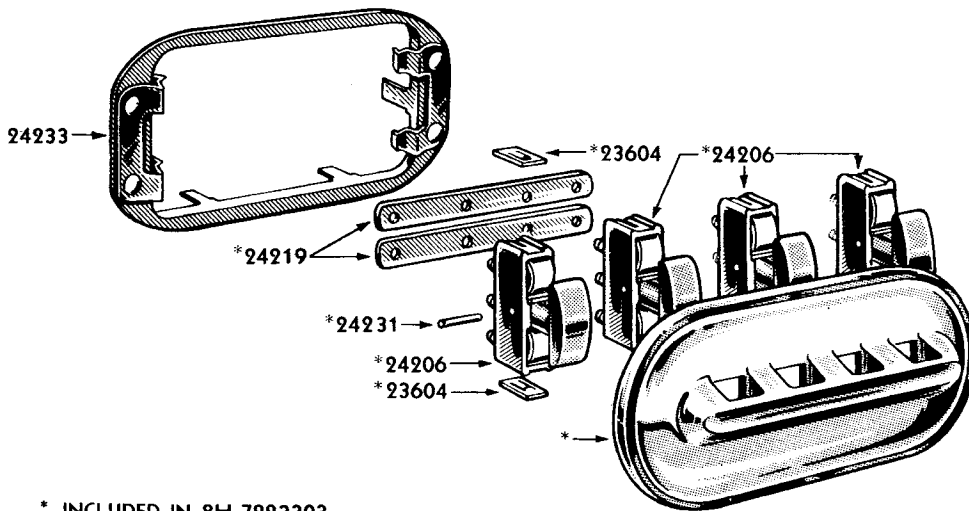
BODY PARTS CATALOGUE



*INCLUDED IN 8H-7223302

PL-286

SINGLE HYDRAULIC WINDOW SWITCH (8H-7223302)



* INCLUDED IN 8H-7223303

PL-285

MULTIPLE HYDRAULIC WINDOW SWITCH (8H-7223303)

Group numbers only shown on illustration. Order by Part Numbers shown in list of parts.

YEAR 19	BODY TYPES	REMARKS	PART NUMBER	NO. REQ'D
Group 23302-3 SWITCH AND HOUSING ASSEMBLY (HYDRAULIC WINDOW REGULATOR)				
49	9L except 76	special equipment-single switch	8H 7223302-A	3
49	9L74	special equipment-four switch	8H 7223303-A	1
49	9L76,9H	single switch	8H 7223302-A	3
49	9L76,9H	four switch	8H 7223303-A	1
Group 23318 SPRING (DOOR WINDOW REGULATOR BALANCE)				
49	9H		5EH 7323318	2or4
Group 23308 SUPPORT AND RETAINER ASSEMBLY (HYDRAULIC WINDOW REGULATOR ARM ROLLER)				
49	9H72	Front Door	8H 7223308	2
49	9H73-74	Front Door-19-21/64" long	8H 7323308-A	2
49	9H73-74	Rear Door-24-47/64" long	8H 7323308-B	2
49	9H72	Bolt (hex head)-1/4"-28	20325-S7	8
49	9H except 76	Lockwasher-1/4"	34805-S2	8
49	9H except 76	Nut (lock)-1/4"-28	34391-S7	4or8
49	9H except 76	Washer (flat)-1/4"	34705-S2	8

Lincoln and Lincoln Cosmopolitan

BODY PARTS CATALOGUE

YEAR 19	BODY TYPES	REMARKS	PART NUMBER	NO. REQ'D
Group 23312 SUPPORT (DOOR HYDRAULIC WINDOW REGULATOR SIDE RAIL)-UPPER				
49	9L72	Hydraulic Controlled	8M 7023312	2
49	9L74	Hydraulic Controlled	8M 7323312	2
Group 23338 BOLT (DOOR WINDOW REGULATOR STOP)				
49	9L except 76	Manual Control	01A 7023338	2or4
49	9L except 76	Lockwasher (external tooth)-1/4"	34940-S	2or4
49	9L except 76	Nut (hex)-No. 12-24	34054-S2	2or4
Group 23342 HANDLE ASSEMBLY (WINDOW REGULATOR)				
49	9L except 76	Manual Control	8H 7323342	2or4
Group 23354 PIN (DOOR WINDOW REGULATOR AND DOOR INSIDE HANDLE)				
49	9L,9H	3/4" long	8A 7023354-B	4or10
Group 23382 SUPPORT AND RETAINER ASSEMBLY (HYDRAULIC WINDOW REGULATOR ARM ROLLER)				
49	9L	Front Door	5EH 7323382	2
49	9L74	Rear Door	8M 7423382	2
49	9H72	Quarter Window	5EH 7323382	2
49	9L,9H72	Bolt (hex head)-1/4"-28	20325-S7	8
49	9H except 76	Nut (hex)-1/4"-28	33796-S7	8
49	9H except 76	Washer (flat)-1/4"	34705-S2	8
Group 23410 HANDLE ASSEMBLY (FRONT DOOR VENT WINDOW REGULATOR)				
49	9L,9H		8H 7323410	2
Group 23420 ESCUTCHEON ASSEMBLY (VENT WINDOW REGULATOR HANDLE)				
49	9L,9H		8H 7323420	2
Group 23436 GEAR AND SHAFT ASSEMBLY (DOOR VENT WINDOW REGULATOR)				
49	9L		8L 7623436	2
49	9H		16H 7323436	2
Group 23456 SHAFT (DOOR VENT WINDOW REGULATOR EXTENSION)				
49	9L		8L 7323456	2
49	9H except 76		8H 7323456	2
49	9H76		8H 7623456	2
Group 23460 WORM (DOOR VENT WINDOW REGULATOR)				
49	9L,9H		16H 7323460	2
Group 23464 PIN (DOOR VENT WINDOW REGULATOR EXTENSION SHAFT)				
49	9L except 76,9H		16H 7323464	2
Group 23468 RETAINER ASSEMBLY (DOOR VENT WINDOW REGULATOR SHAFT)				
49	9L,9H		16H 7323468	2
49	9L,9H	Screw (round head self tapping)-No. 12 x 1/2"	32860-S8	4
Group 23494 STOP (DOOR GLASS)-ON INNER PANEL				
49	9L76		8M 7623494	4
Group 23500 ARM ASSEMBLY (DOOR CHECK)				
49	9L		8M 7023500	2
49	9H		7EH 7323500	2or4

Lincoln and Lincoln Cosmopolitan

BODY PARTS CATALOGUE

YEAR 19	BODY TYPES	REMARKS	PART NUMBER	NO. REQ'D
Group 23530 HOUSING ASSEMBLY (DOOR CHECK ARM)				
49	9L,9H		06H 5623530	2or4
Group 23602 CYLINDER ASSEMBLY (REAR QUARTER WINDOW HYDRAULIC)				
49	9L76,9H76		8H 7623602	2
Group 23600 FRAME ASSEMBLY (HYDRAULIC QUARTER WINDOW REGULATOR)				
49	9L76	R.H.	8L 7623600	1
49	9L76	L.H.	8L 7623601	1
49	9H76	R.H.	8H 7623600	1
49	9H76	L.H.	8H 7623601	1
Group 23603 SPRING (QUARTER WINDOW HYDRAULIC OPERATING)				
49	9L,9H	Black Enamel	8H 7623603	2
Group 23604 SPRING (HYDRAULIC ELECTRIC SWITCH)-LOCKING				
49	9L,9H		8H 7323604	as req'd
Group 23868-9 TRIM ASSEMBLY (FRONT DOOR PANEL)				
49	9L72	R.H.-Upper M-19101-U Blue Green Birdseye Broadcloth, Center M-19152-L Gray Broadcloth, Lower Gray Artificial Leather	+8L 7223868-F	1
49	9L72	L.H.-Upper M-19101-U Blue Green Birdseye Broadcloth, Center M-19152-L Gray Broadcloth, Lower Gray Artificial Leather	+8L 7223869-F	1
49	9L72	R.H.-Upper M-19101-U Blue Green Birdseye Broadcloth, Center M-19152-L Gray Broadcloth, Lower Gray Artificial Leather	◇8L 7223868-K	1
49	9L72	L.H.-Upper M-19101-U Blue Green Birdseye Broadcloth, Center M-19152-L Gray Broadcloth, Lower Gray Artificial Leather	◇8L 7223869-K	1
49	9L72	R.H.-Upper M-19141-N Gray Bedford Cord, Center M-19152-T Blue Gray Broadcloth, Lower Gray Bedford Artificial Leather	+8L 7223868-H	1
49	9L72	L.H.-Upper M-19141-N Gray Bedford Cord, Center M-19152-T Blue Gray Broadcloth, Lower Gray Bedford Artificial Leather	+8L 7223869-H	1
49	9L72	R.H.-Upper M-19141-N Gray Bedford Cord, Center, M-19152-T Blue Gray Broadcloth, Lower Gray Bedford Artificial Leather	◇8L 7223868-M	1
49	9L72	L.H.-Upper M-19141-N Gray Bedford Cord, Center M-19152-T Blue Gray Broadcloth, Lower Gray Bedford Artificial Leather	◇8L 7223869-M	1
49	9L72	R.H.-Upper M-19141-P Dark Gray Bedford Cord, Center M-19152-T Blue Gray Broadcloth, Lower Gray Bedford Artificial Leather- Manual or Hydraulic Control	8L 7223868-P	1
49	9L72	L.H.-Upper M-19141-P Dark Gray Bedford Cord, Center M-19152-T Blue Gray Broadcloth, Lower Gray Bedford Artificial Leather- Manual or Hydraulic Control	8L 7223869-P	1
49	9L72	R.H.-Upper M-19106-G Light Gray Plain Broadcloth, Center M-19105-J Gray Shadow Stripe Broadcloth, Lower Light Gray Artificial Leather-Manual or Hydraulic Control	8L 7223868-T	1
49	9L72	L.H.-Upper M-19106-G Light Gray Plain Broadcloth, Center M-19105-J Gray Shadow Stripe Broadcloth, Lower Light Gray Artificial Leather-Manual or Hydraulic Control	8L 7223869-T	1
49	9L72	R.H.-Upper M-19106-A Light Green Plain Broadcloth, Center M-19105-G Green Shadow Stripe Broadcloth, Lower Light Green Artificial Leather-Manual or Hydraulic Control	8L 7223868-Q	1
49	9L72	L.H.-Upper M-19106-A Light Green Plain Broadcloth, Center M-19105-G Green Shadow Stripe Broadcloth, Lower Light Green Artificial Leather-Manual or Hydraulic Control	8L 7223869-Q	1

+ Manual Control

◇ Hydraulic Control

Lincoln and Lincoln Cosmopolitan

BODY PARTS CATALOGUE

YEAR 19	BODY TYPES	REMARKS	PART NUMBER	NO. REQ'D
Group 23868-9 TRIM ASSEMBLY (FRONT DOOR PANEL)-CONTINUED				
49	9L72	R.H.-Upper M-19101-P Tan and Yellow Check Broadcloth, Center M-19152-M Brown Taupe Broadcloth, Lower Brown Taupe Artificial Leather	✦8L 7223868-B	1
49	9L72	L.H.-Upper M-19101-P Tan and Yellow Check Broadcloth, Center M-19152-M Brown Taupe Broadcloth, Lower Brown Taupe Artificial Leather	✦8L 7223869-B	1
49	9L72	R.H.-Upper M-19101-W Tan and Yellow Broken Stripe Broadcloth, Center M-19152-M Brown Taupe Broadcloth, Lower Brown Taupe Artificial Leather	✦8L 7223868-G	1
49	9L72	L.H.-Upper M-19101-W Tan and Yellow Broken Stripe Broadcloth, Center M-19152-M Brown Taupe Broadcloth, Lower Brown Taupe Artificial Leather	✦8L 7223869-G	1
49	9L72	R.H.-Upper M-19101-W Tan and Yellow Broken Stripe Broadcloth, Center M-19152-M Brown Taupe Broadcloth, Lower Brown Taupe Artificial Leather	◇8L 7223868-L	1
49	9L72	L.H.-Upper M-19101-W Tan and Yellow Broken Stripe Broadcloth, Center M-19152-M Brown Taupe Broadcloth, Lower Brown Taupe Artificial Leather	◇8L 7223869-L	1
49	9L72	R.H.-Upper M-19106-C Light Tan Plain Broadcloth, Center M-19105-H Tan Shadow Stripe Broadcloth, Lower Light Tan Artificial Leather-Manual or Hydraulic Control	8L 7223868-S	1
49	9L72	L.H.-Upper M-19106-C Light Tan Plain Broadcloth, Center M-19105-H Tan Shadow Stripe Broadcloth, Lower Light Tan Artificial Leather-Manual or Hydraulic Control	8L 7223869-S	1
49	9L74	R.H.-Upper M-19101-U Blue Green Birdseye Broadcloth, Center M-19152-L Gray Broadcloth, Lower Gray Artificial Leather	✦8L 7323868-A	1
49	9L74	L.H.-Upper M-19101-U Blue Green Birdseye Broadcloth, Center M-19152-L Gray Broadcloth, Lower Gray Artificial Leather	✦8L 7323869-A	1
49	9L74	R.H.-Upper M-19101-U Blue Green Birdseye Broadcloth, Center M-19152-L Gray Broadcloth, Lower Gray Artificial Leather	◇8L 7323868-F	1
49	9L74	L.H.-Upper M-19101-U Blue Green Birdseye Broadcloth, Center M-19152-L Gray Broadcloth, Lower Gray Artificial Leather	◇8L 7323869-F	1
49	9L74	R.H.-Upper M-19141-N Gray Bedford Cord, Center M-19152-T Blue Gray Broadcloth, Lower Gray Bedford Artificial Leather	✦8L 7323868-C	1
49	9L74	L.H.-Upper M-19141-N Gray Bedford Cord, Center M-19152-T Blue Gray Broadcloth, Lower Gray Bedford Artificial Leather	✦8L 7323869-C	1
49	9L74	R.H.-Upper M-19141-N Gray Bedford Cord, Center M-19152-T Blue Gray Broadcloth, Lower Gray Bedford Artificial Leather-replaced by 8L-7323868-K	◇8L 7323868-H	1
49	9L74	L.H.-Upper M-19141-N Gray Bedford Cord, Center M-19152-T Blue Gray Broadcloth, Lower Gray Bedford Artificial Leather	◇8L 7323869-H	1
49	9L74	R.H.-Upper M-19141-P Dark Gray Bedford Cord, Center M-19152-T Blue Gray Broadcloth, Lower Gray Bedford Artificial Leather-Manual or Hydraulic Control	8L 7323868-K	1
49	9L74	L.H.-Upper M-19141-P Dark Gray Bedford Cord, Center M-19152-T Blue Gray Broadcloth, Lower Gray Bedford Artificial Leather-Manual or Hydraulic Control	8L 7323869-K	1
49	9L74	R.H.-Upper M-19106-G Light Gray Plain Broadcloth, Center M-19105-J Gray Shadow Stripe Broadcloth, Lower Light Gray Artificial Leather-Manual or Hydraulic Control	8L 7423868-C	1
49	9L74	L.H.-Upper M-19106-G Light Gray Plain Broadcloth, Center M-19105-J Gray Shadow Stripe Broadcloth, Lower Light Gray Artificial Leather-Manual or Hydraulic Control	8L 7423869-C	1

✦ Manual Control

◇ Hydraulic Control

Lincoln and Lincoln Cosmopolitan

BODY PARTS CATALOGUE

YEAR 19	BODY TYPES	REMARKS	PART NUMBER	NO. REQ'D
Group 23868-9 TRIM ASSEMBLY (FRONT DOOR PANEL)-CONTINUED				
49	9L74	R.H.-Upper M-19106-A Light Green Plain Broadcloth, Center M-19105-G Green Shadow Stripe Broadcloth, Lower Light Green Artificial Leather-Manual or Hydraulic Control	8L 7423868-A	1
49	9L74	L.H.-Upper M-19106-A Light Green Plain Broadcloth, Center M-19105-G Green Shadow Stripe Broadcloth, Lower Light Green Artificial Leather-Manual or Hydraulic Control	8L 7423869-A	1
49	9L74	R.H.-Upper M-19101-P Tan and Yellow Check Broadcloth, Center M-19152-M Brown Taupe Broadcloth, Lower Brown Taupe Artificial Leather	✦8L 7323868-B	1
49	9L74	L.H.-Upper M-19101-P Tan and Yellow Check Broadcloth, Center M-19152-M Brown Taupe Broadcloth, Lower Brown Taupe Artificial Leather	✦8L 7323869-B	1
49	9L74	R.H.-Upper M-19101-W Tan and Yellow Broken Stripe, Center M-19152-M Brown Taupe Broadcloth, Lower Brown Taupe Artificial Leather	✦8L 7323868-E	1
49	9L74	L.H.-Upper M-19101-W Tan and Yellow Broken Stripe, Center M-19152-M Brown Taupe Broadcloth, Lower Brown Taupe Artificial Leather	✦8L 7323869-E	1
49	9L74	R.H.-Upper M-19101-W Tan and Yellow Broken Stripe Broadcloth, Center M-19152-M Brown Taupe Broadcloth, Lower Brown Taupe Artificial Leather	◇8L 7323868-G	1
49	9L74	L.H.-Upper M-19101-W Tan and Yellow Broken Stripe Broadcloth, Center M-19152-M Brown Taupe Broadcloth, Lower Brown Taupe Artificial Leather	◇8L 7323869-G	1
49	9L74	R.H.-Upper M-19106-C Light Tan Plain Broadcloth, Center M-19105-H Tan Shadow Stripes Broadcloth, Lower Light Tan Artificial Leather-Manual or Hydraulic Control	8L 7423868-B	1
49	9L74	L.H.-Upper M-19106-C Light Tan Plain Broadcloth, Center M-19105-H Tan Shadow Stripe Broadcloth, Lower Light Tan Artificial Leather-Manual or Hydraulic Control	8L 7423869-B	1
49	9L76	R.H. Upper Blue Artificial Leather, Center M-5085-S Blue Bedford Cord, Lower Blue Artificial Leather	8L 7623868-H	1
49	9L76	L.H.-Upper Blue Artificial Leather, Center M-5085-S Blue Bedford Cord, Lower Blue Artificial Leather	8L 7623869-H	1
49	9L76	R.H.-Upper Green Artificial Leather, Center M-5085-Q Green Bedford Cord, Lower Green Artificial Leather	8L 7623868-G	1
49	9L76	L.H.-Upper Green Artificial Leather, Center M-5085-Q Green Bedford Cord, Lower Green Artificial Leather	8L 7623869-G	1
49	9L76	R.H.-Upper Red Artificial Leather, Center M-5085-P Tan Bedford Cord, Lower Red Artificial Leather	8L 7623868-E	1
49	9L76	L.H.-Upper Red Artificial Leather, Center M-5085-P Tan Bedford Cord, Lower Red Artificial Leather	8L 7623869-E	1
49	9L76	R.H.-Upper Tan Artificial Leather, Center M-5085-P Tan Bedford Cord, Lower Tan Artificial Leather	8L 7623868-F	1
49	9L76	L.H.-Upper Tan Artificial Leather, Center M-5075-P Tan Bedford Cord, Lower Tan Artificial Leather	8L 7623869-F	1
49	9H72	R.H.-Upper M-19101-V Blue Gray Broadcloth, Center M-19101-L Blue Gray Broadcloth, Lower Blue Gray Artificial Leather	8H 7223868-F	1
49	9H72	L.H.-Upper M-19101-V Blue Gray Broadcloth, Center M-19101-L Blue Gray Broadcloth, Lower Blue Gray Artificial Leather	8H 7223869-F	1

✦ Manual Control

◇ Hydraulic Control

Lincoln and Lincoln Cosmopolitan

BODY PARTS CATALOGUE

YEAR 19__	BODY TYPES	REMARKS	PART NUMBER	NO. REQ'D
Group 23868-9 TRIM ASSEMBLY (FRONT DOOR PANEL) -CONTINUED				
49	9H72	R.H.-Upper M-19104-F Blue Gray Broadcloth, Center M-19104-D Blue Gray Broadcloth, Lower Dark Blue Gray Artificial Leather	8H 7223868-J	1
49	9H72	L.H.-Upper M-19104-F Blue Gray Broadcloth, Center M-19104-D Blue Gray Broadcloth, Lower Dark Blue Gray Artificial Leather	8H 7223869-J	1
49	9H72	R.H.-Upper M-19105-L Gray Shadow Stripe Broadcloth, Center M-19106-G Light Gray Plain Broadcloth, Lower Gray Carpet	8H 7223868-N	1
49	9H72	L.H.-Upper M-19105-L Gray Shadow Stripe Broadcloth, Center M-19106-G Light Gray Plain Broadcloth, Lower Gray Carpet	8H 7223869-N	1
49	9H72	R.H.-Upper M-19104-E Green Broadcloth, Center M-19104-C Green Gray Broadcloth, Lower Green Gray Artificial Leather	8H 7223868-H	1
49	9H72	L.H.-Upper M-19104-E Green Broadcloth, Center M-19104-C Green Gray Broadcloth, Lower Green Gray Artificial Leather	8H 7223869-H	1
49	9H72	R.H.-Upper M-19101-N Tan Broadcloth, Center M-19101-T Brown Stripe Broadcloth, Lower Tan Artificial Leather	8H 7223868-G	1
49	9H72	L.H.-Upper M-19101-N Tan Broadcloth, Center M-19101-T Brown Stripe Broadcloth, Lower Tan Artificial Leather	8H 7223869-G	1
49	9H72	R.H.-Upper M-19105-A Green Shadow Stripe Broadcloth, Center M-19106-A Light Green Plain Broadcloth, Lower Plain Green Carpet	8H 7223868-L	1
49	9H72	L.H.-Upper M-19105-A Green Shadow Stripe Broadcloth, Center M-19106-A Light Green Plain Broadcloth, Lower Plain Green Carpet	8H 7223869-L	1
49	9H72	R.H.-Upper M-19105-C Tan Shadow Stripe Broadcloth, Center M-19106-C Light Tan Plain Broadcloth, Lower Plain Tan Carpet	8H 7223868-M	1
49	9H72	L.H.-Upper M-19105-C Tan Shadow Stripe Broadcloth, Center M-19106-C Light Tan Plain Broadcloth, Lower Plain Tan Carpet	8H 7223869-M	1
49	9H73-74	R.H.-Upper M-19101-V Blue Gray Broadcloth, Center M-19101-L Blue Gray Broadcloth, Lower Blue Gray Artificial Leather	8H 7323868-F	1
49	9H73-74	L.H.-Upper M-19101-V Blue Gray Broadcloth, Center M-19101-L Blue Gray Broadcloth, Lower Blue Gray Artificial Leather	8H 7323869-F	1
49	9H73-74	R.H.-Upper M-19104-F Blue Gray Broadcloth, Center M-19104-D Blue Gray Broadcloth, Lower Dark Blue Gray Artificial Leather	8H 7323868-J	1
49	9H73-74	L.H.-Upper M-19104-F Blue Gray Broadcloth, Center M-19104-D Blue Gray Broadcloth, Lower Dark Blue Gray Artificial Leather	8H 7323869-J	1
49	9H73-74	R.H.-Upper M-19105-L Gray Shadow Stripe Broadcloth, Center M-19106-G Light Gray Plain Broadcloth, Lower Gray Carpet	8H 7323868-N	1
49	9H73-74	L.H.-Upper M-19105-L Gray Shadow Stripe Broadcloth, Center M-19106-G Light Gray Plain Broadcloth, Lower Gray Carpet	8H 7323869-N	1
49	9H73-74	R.H.-Upper M-19104-E Green Broadcloth, Center M-19104-C Green Gray Broadcloth, Lower Green Gray Artificial Leather	8H 7323868-H	1
49	9H73-74	L.H.-Upper M-19104-E Green Broadcloth, Center M-19104-C Green Gray Broadcloth, Lower Green Gray Artificial Leather	8H 7323869-H	1
49	9H73-74	R.H.-Upper M-19105-A Green Shadow Stripe Broadcloth, Center M-19106-A Light Green Plain Broadcloth, Lower Plain Green Carpet	8H 7323868-L	1
49	9H73-74	L.H.-Upper M-19105-A Green Shadow Stripe Broadcloth, Center M-19106-A Light Green Plain Broadcloth, Lower Plain Green Carpet	8H 7323869-L	1
49	9H73-74	R.H.-Upper M-19101-N Tan Broadcloth, Center M-19101-T Broken Stripe Broadcloth, Lower Tan Artificial Leather	8H 7323868-G	1
49	9H73-74	L.H.-Upper M-19101-N Tan Broadcloth, Center M-19101-T Brown Stripe Broadcloth, Lower Tan Artificial Leather	8H 7323869-G	1
49	9H73-74	R.H.-Upper M-19105-C Tan Shadow Stripe Broadcloth, Center M-19106-C Light Tan Plain Broadcloth, Lower Plain Tan Carpet	8H 7323868-M	1
49	9H73-74	L.H.-Upper M-19105-C Tan Shadow Stripe Broadcloth, Center M-19106-C Light Tan Plain Broadcloth, Lower Plain Tan Carpet	8H 7323869-M	1

Lincoln and Lincoln Cosmopolitan

BODY PARTS CATALOGUE

YEAR 19	BODY TYPES	REMARKS	PART NUMBER	NO. REQ'D
Group 23868-9 TRIM ASSEMBLY (FRONT DOOR PANEL)-CONTINUED				
49	9H76	R.H.-Blue Leather-with plain arm rest	8H 7623868-Y	1
49	9H76	L.H.-Blue Leather-with plain arm rest	8H 7623869-Y	1
49	9H76	R.H.-Blue Leather-Two Tone-with plain arm rest	8H 7623868-AE	1
49	9H76	L.H.-Blue Leather-Two Tone-with plain arm rest	8H 7623869-AE	1
49	9H76	R.H.-Upper Blue Leather, Center M-19146-M Blue Whipcord, Lower Blue Artificial Leather-with plain arm rest	8H 7623868-AL	1
49	9H76	L.H.-Upper Blue Leather, Center M-19146-M Blue Whipcord, Lower Blue Artificial Leather-with plain arm rest	8H 7623869-AL	1
49	9H76	R.H.-Blue Leather-with pull type arm rest-with plain arm rest	8H 7623868-AW	1
49	9H76	L.H.-Blue Leather-with pull type arm rest-with plain arm rest	8H 7623869-AW	1
49	9H76	R.H.-Blue Leather-Two Tone-with pull type arm rest	8H 7623868-BC	1
49	9H76	L.H.-Blue Leather-Two Tone-with pull type arm rest	8H 7623869-BC	1
49	9H76	R.H.-Upper Blue Leather, Center M-19146-M Blue Whipcord, Lower Blue Artificial Leather-with pull type arm rest	8H 7623868-BJ	1
49	9H76	L.H.-Upper Blue Leather, Center M-19146-M Blue Whipcord, Lower Blue Artificial Leather-with pull type arm rest	8H 7623869-BJ	1
49	9H76	R.H.-Green Leather-with plain arm rest	8H 7623868-X	1
49	9H76	L.H.-Green Leather-with plain arm rest	8H 7623869-X	1
49	9H76	R.H.-Green Leather-Two Tone-with plain arm rest	8H 7623868-AD	1
49	9H76	L.H.-Green Leather-Two Tone-with plain arm rest	8H 7623869-AD	1
49	9H76	R.H.-Upper Green Leather, Center M-19146-L Green Whipcord, Lower Green Artificial Leather-with plain arm rest	8H 7623868-AK	1
49	9H76	L.H.-Upper Green Leather, Center M-19146-L Green Whipcord, Lower Green Artificial Leather-with plain arm rest	8H 7623869-AK	1
49	9H76	R.H.-Green Leather-with pull type arm rest	8H 7623868-AV	1
49	9H76	L.H.-Green Leather-with pull type arm rest	8H 7623869-AV	1
49	9H76	R.H.-Green Leather-Two Tone-with pull type arm rest	8H 7623868-EB	1
49	9H76	L.H.-Green Leather-Two Tone-with pull type arm rest	8H 7623869-EB	1
49	9H76	R.H.-Upper Green Leather, Center M-19146-L Green Whipcord, Lower Green Artificial Leather-with pull type arm rest	8H 7623868-BH	1
49	9H76	L.H.-Upper Green Leather, Center M-19146-L Green Whipcord, Lower Green Artificial Leather-with pull type arm rest	8H 7623869-BH	1
49	9H76	R.H.-Lime Green Leather-with plain arm rest	8H 7623868-AA	1
49	9H76	L.H.-Lime Green Leather-with plain arm rest	8H 7623869-AA	1
49	9H76	R.H.-Lime Green Leather-Two Tone-with plain arm rest	8H 7623868-AG	1
49	9H76	L.H.-Lime Green Leather-Two Tone-with plain arm rest	8H 7623869-AG	1
49	9H76	R.H.-Upper Lime Green Leather, Center M-19146-N Yellow Beige Whipcord, Lower Lime Green Artificial Leather-with plain arm rest	8H 7623868-AN	1
49	9H76	L.H.-Upper Lime Green Leather, Center M-19146-N Yellow Beige Whipcord, Lower Lime Green Art. Leather-with plain arm rest	8H 7623869-AN	1
49	9H76	R.H.-Lime Green Leather-Two Tone-with pull type arm rest	8H 7623868-BE	1
49	9H76	L.H.-Lime Green Leather-Two Tone-with pull type arm rest	8H 7623869-BE	1
49	9H76	R.H.-Upper Lime Green Leather, Center M-19146-N Yellow Beige Whipcord, Lower Lime Green Artificial Leather-with pull type arm rest	8H 7623868-BL	1
49	9H76	L.H.-Upper Lime Green Leather, Center M-19146-N Yellow Beige Whipcord, Lower Lime Green Artificial Leather-with pull type arm rest	8H 7623869-BL	1
49	9H76	R.H.-Red Leather-with plain arm rest	8H 7623868-V	1
49	9H76	L.H.-Red Leather-with plain arm rest	8H 7623869-V	1
49	9H76	R.H.-Red Leather-Two Tone-with plain arm rest	8H 7623868-AB	1
49	9H76	L.H.-Red Leather-Two Tone-with plain arm rest	8H 7623869-AB	1
49	9H76	R.H.-Upper Red Leather, Center M-19146-K Beige Whipcord, Lower Red Artificial Leather	8H 7623868-AH	1
49	9H76	L.H.-Upper Red Leather, Center M-19146-K Beige Whipcord, Lower Red Artificial Leather	8H 7623869-AH	1

Lincoln and Lincoln Cosmopolitan

BODY PARTS CATALOGUE

YEAR 19	BODY TYPES	REMARKS	PART NUMBER	NO. REQ'D
Group 23868-9 TRIM ASSEMBLY (FRONT DOOR PANEL)-CONTINUED				
49	9H76	R.H.-Red Leather-with pull type arm rest	8H 7623868-BM	1
49	9H76	L.H.-Red Leather-with pull type arm rest	8H 7623869-BM	1
49	9H76	R.H.-Red Leather-Two Tone-with pull type arm rest	8H 7623868-BN	1
49	9H76	L.H.-Red Leather-Two Tone-with pull type arm rest	8H 7623869-BN	1
49	9H76	R.H.-Upper Red Leather, Center M-19146-K Beige Whipcord, Lower Red Artificial Leather-with pull type arm rest	8H 7623868-BP	1
49	9H76	L.H.-Upper Red Leather, Center M-19146-K Beige Whipcord, Lower Red Artificial Leather-with pull type arm rest	8H 7623869-BP	1
49	9H76	R.H.-Tan Leather-with plain arm rest	8H 7623868-W	1
49	9H76	L.H.-Tan Leather-with plain arm rest	8H 7623869-W	1
49	9H76	R.H.-Tan Leather-Two Tone-with plain arm rest	8H 7623868-AC	1
49	9H76	L.H.-Tan Leather-Two Tone-with plain arm rest	8H 7623869-AC	1
49	9H76	R.H.-Upper Tan Leather, Center M-19146-K Beige Whipcord, Lower Tan Artificial Leather-with plain arm rest	8H 7623868-AJ	1
49	9H76	L.H.-Upper Tan Leather, Center M-19146-K Beige Whipcord, Lower Tan Artificial Leather-with plain arm rest	8H 7623869-AJ	1
49	9H76	R.H.-Tan Leather-with pull type arm rest	8H 7623868-AU	1
49	9H76	L.H.-Tan Leather-with pull type arm rest	8H 7623869-AU	1
49	9H76	R.H.-Tan Leather-Two Tone-with pull type arm rest	8H 7623868-RA	1
49	9H76	L.H.-Tan Leather-Two Tone-with pull type arm rest	8H 7623869-RA	1
49	9H76	R.H.-Upper Tan Leather, Center M-19146-K Beige Whipcord, Lower Tan Artificial Leather-with pull type arm rest	8H 7623868-BG	1
49	9H76	L.H.-Upper Tan Leather, Center M-19146-K Beige Whipcord, Lower Tan Artificial Leather-with pull type arm rest	8H 7623869-BG	1
49	9H76	R.H.-Yellow Leather-with plain arm rest	8H 7623868-Z	1
49	9H76	L.H.-Yellow Leather-with plain arm rest	8H 7623869-Z	1
49	9H76	R.H.-Yellow Leather-Two Tone-with plain arm rest	8H 7623868-AF	1
49	9H76	L.H.-Yellow Leather-Two Tone-with plain arm rest	8H 7623869-AF	1
49	9H76	R.H.-Upper Yellow Leather Center M-19146-N Yellow Beige Whipcord, Lower Yellow Artificial Leather-with plain arm rest	8H 7623868-AM	1
49	9H76	L.H.-Upper Yellow Leather, Center M-19146-N Yellow Beige Whipcord, Lower Yellow Artificial Leather-with plain arm rest	8H 7623869-AM	1
49	9H76	R.H.-Yellow Leather-with pull type arm rest	8H 7623868-AX	1
49	9H76	L.H.-Yellow Leather-with pull type arm rest	8H 7623869-AX	1
49	9H76	R.H.-Yellow Leather-Two Tone-with pull type arm rest	8H 7623868-BD	1
49	9H76	L.H.-Yellow Leather-Two Tone-with pull type arm rest	8H 7623869-BD	1
49	9H76	R.H.-Upper Yellow Leather, Center M-19146-N Yellow Beige Whipcord, Lower Yellow Artificial Leather-with pull type arm rest	8H 7623868-BK	1
49	9H76	L.H.-Upper Yellow Leather, Center M-19146-N Yellow Beige Whipcord, Lower Yellow Artificial Leather-with pull type arm rest	8H 7623869-BK	1
49	9H	Fastener (trim)	353355-S2	28or30
49	9H76	Retainer (trim fastener)	358130-S2	30
49	9L76, 9H73-74-76	Screw (binding head sheet metal)-No. 8 x 1/2"	32923-S7	8or10
49	9L	Screw (oval head sheet metal)-No. 6 x 3/4"	33000-S13	4
49	9H	Screw (oval head sheet metal)-No. 6 x 3/4"	33000-S13	8
49	9H	Screw (oval head sheet metal)-No. 8 x 3/8"-to attach trim panel at kick pad	350066-S13	4
49	9L	Screw (Phillips oval head)-No. 8 x 3/4"	350095-S13	4or8
49	9H76	Screw and lockwasher assy (oval head)-No. 12-24 x 1/2"	42868-S2	4
49	9H	Washer (finish)-No. 6	34876-S15	4
49	9H	Washer (finishing countersunk)-No. 8	34862-S23	4
49	9L, 9H	Washer (flush countersunk)-No. 6	34361-S23	4
49	9L	Washer (flush countersunk)-No. 8	34885-S15	4

Lincoln and Lincoln Cosmopolitan

BODY PARTS CATALOGUE

YEAR 19	BODY TYPES	REMARKS	PART NUMBER	NO. REQ'D
Group 24130 PLATE (FRONT DOOR AND QUARTER TRIM PANEL ATTACHING)				
49	9L		8L 7324130	2or4
49	9H72		8H 7324130	2or4
49	9H72-76		8H 7224130	2
49	9H73-74	front and rear door	8H 7324130	2or4
49	9H	Screw (binding head sheet metal)-No. 8 x 3/4"	32937-87	2or4
Group 24140-1 REST ASSEMBLY (FRONT DOOR ARM)				
49	9L72	R.H.-Top Gray Leather, Side M-19152-L Gray Broadcloth	8L 7224140-E	1
49	9L72	L.H.-Top Gray Leather, Side M-19152-L Gray Broadcloth	8L 7224141-E	1
49	9L72	R.H.-Top Gray Bedford Leather, Side M-19152-T Blue Gray Broadcloth	8L 7224140-G	1
49	9L72	L.H.-Top Gray Bedford Leather, Side M-19152-T Blue Gray Broadcloth	8L 7224141-G	1
49	9L72	R.H.-Top Gray Bedford Leather, Side M-19152-V Dark Gray Broadcloth	8L 7224140-J	1
49	9L72	L.H.-Top Gray Bedford Leather, Side M-19152-V Dark Gray Broadcloth	8L 7224141-J	1
49	9L72	R.H.-Top Light Gray Leather, Side M-19105-J Gray Shadow Stripe Broadcloth	8L 7224140-M	1
49	9L72	L.H.-Top Light Gray Leather, Side M-19105-J Gray Shadow Stripe Broadcloth	8L 7224141-M	1
49	9L72	R.H.-Top Dark Green Leather, Side M-19105-G Green Shadow Stripe Broadcloth	8L 7224140-K	1
49	9L72	L.H.-Top Dark Green Leather, Side M-19105-G Green Shadow Stripe Broadcloth	8L 7224141-K	1
49	9L72	R.H.-Top Dark Tan Leather, Side M-19105-H Tan Shadow Stripe Broadcloth	8L 7224140-L	1
49	9L72	L.H.-Top Dark Tan Leather, Side M-19105-H Tan Shadow Stripe Broadcloth	8L 7224141-L	1
49	9L72	R.H.-Top Brown Taupe Leather, Side M-19152-M Brown Taupe Broadcloth	8L 7224140-F	1
49	9L72	L.H.-Top Brown Taupe Leather, Side M-19152-M Brown Taupe Broadcloth	8L 7224141-F	1
49	9L74	L.H.-Top Gray Leather, Side M-19152-L Gray Broadcloth	8L 7324141-A	1
49	9L74	R.H.-Top Gray Leather, Side M-19152-L Gray Broadcloth	8L 7324140-A	1
49	9L74	R.H.-Top Gray Bedford Leather, Side M-19152-T Blue Gray Broadcloth	8L 7324140-C	1
49	9L74	L.H.-Top Gray Bedford Leather, Side M-19152-T Blue Gray Broadcloth	8L 7324141-C	1
49	9L74	R.H.-Top Gray Bedford Leather, Side M-19152-V Dark Gray Broadcloth	8L 7324140-E	1
49	9L74	L.H.-Top Gray Bedford Leather, Side M-19152-V Dark Gray Broadcloth	8L 7324141-E	1
49	9L74	R.H.-Top Light Gray Leather, Side M-19105-J Gray Shadow Stripe Broadcloth	8L 7424140-C	1
49	9L74	L.H.-Top Light Gray Leather, Side M-19105-J Gray Shadow Stripe Broadcloth	8L 7424141-C	1
49	9L74	R.H.-Top Dark Green Leather, Side M-19105-G Green Shadow Stripe Broadcloth	8L 7424140-A	1
49	9L74	L.H.-Top Dark Green Leather, Side M-19105-G Green Shadow Stripe Broadcloth	8L 7424141-A	1
49	9L74	R.H.-Top Dark Tan Leather, Side M-19105-H Tan Shadow Stripe Broadcloth	8L 7424140-B	1
49	9L74	L.H.-Top Dark Tan Leather, Side M-19105-H Tan Shadow Stripe Broadcloth	8L 7424141-B	1

Lincoln and Lincoln Cosmopolitan

BODY PARTS CATALOGUE

YEAR 19	BODY TYPES	REMARKS	PART NUMBER	NO. REQ'D
Group 24140-1 REST ASSEMBLY (FRONT DOOR ARM) -CONTINUED				
49	9L74	R.H.-Top Brown Taupe Leather, Side M-19152-M Brown Taupe Broadcloth	8L 7324140-B	1
49	9L74	L.H.-Top Brown Taupe Leather, Side M-19152-M Brown Taupe Broadcloth	8L 7324141-B	1
49	9L76	R.H.-Top Blue Leather, Side M-5085-S Blue Bedford Cord	8L 7624140-H	1
49	9L76	L.H.-Top Blue Leather, Side M-5085-S Blue Bedford Cord	8L 7624141-H	1
49	9L76	R.H.-Top Green Leather, Side M-5085-Q Green Bedford Cord	8L 7624140-G	1
49	9L76	L.H.-Top Green Leather, Side M-5085-Q Green Bedford Cord	8L 7624141-G	1
49	9L76	R.H.-Top Red Leather, Side M-5085-P Tan Bedford Cord	8L 7624140-E	1
49	9L76	L.H.-Top Red Leather, Side M-5085-P Tan Bedford Cord	8L 7624141-E	1
49	9L76	R.H.-Top Tan Leather, Side M-5085-P Tan Bedford Cord	8L 7624140-F	1
49	9L76	L.H.-Top Tan Leather, Side M-5085-P Tan Bedford Cord	8L 7624141-F	1
49	9H72	R.H.-Top Blue Gray Leather, Side M-19101-L Blue Gray Broadcloth	8H 7224140-A	1
49	9H72	L.H.-Top Blue Gray Leather, Side M-19101-L Blue Gray Broadcloth	8H 7224141-A	1
49	9H72	R.H.-Top Blue Gray Leather, Side M-19104-D Blue Gray Broadcloth	8H 7224140-D	1
49	9H72	L.H.-Top Blue Gray Leather, Side M-19104-D Blue Gray Broadcloth	8H 7224141-D	1
49	9H72	R.H.-Top Light Gray Leather, Side M-19106-G Light Gray Plain Broadcloth	8H 7224140-H	1
49	9H72	L.H.-Top Light Gray Leather, Side M-19106-G Light Gray Plain Broadcloth	8H 7224141-H	1
49	9H72	R.H.-Top Green Gray Leather, Side M-19104-C Green Gray Broadcloth	8H 7224140-C	1
49	9H72	L.H.-Top Green Gray Leather, Side M-19104-C Green Gray Broadcloth	8H 7224141-C	1
49	9H72	R.H.-Top Dark Green Leather, Side M-19106-A Light Green Plain Broadcloth	8H 7224140-F	1
49	9H72	L.H.-Top Dark Green Leather, Side M-19106-A Light Green Plain Broadcloth	8H 7224141-F	1
49	9H72	R.H.-Top Tan Leather, Side M-19101-T Brown Stripe Broadcloth	8H 7224140-B	1
49	9H72	L.H.-Top Tan Leather, Side M-19101-T Brown Stripe Broadcloth	8H 7224141-B	1
49	9H72	R.H.-Top Dark Tan Leather, Side M-19106-C Light Tan Plain Broadcloth	8H 7224140-G	1
49	9H72	L.H.-Top Dark Tan Leather, Side M-19106-C Light Tan Plain Broadcloth	8H 7224141-G	1
49	9H73-74	R.H.-Top Blue Gray Leather, Side M-19101-L Blue Gray Broadcloth	8H 7324140-A	1
49	9H73-74	L.H.-Top Blue Gray Leather, Side M-19101-L Blue Gray Broadcloth	8H 7324141-A	1
49	9H73-74	R.H.-Top Blue Gray Leather, Side M-19104-D Blue Gray Broadcloth	8H 7324141-D	1
49	9H73-74	L.H.-Top Blue Gray Leather, Side M-19104-D Blue Gray Broadcloth	8H 7324141-D	1
49	9H73-74	R.H.-Top Light Gray Leather, Side M-19106-G Light Gray Plain Broadcloth	8H 7324140-H	1
49	9H73-74	L.H.-Top Light Gray Leather, Side M-19106-G Light Gray Plain Broadcloth	8H 7324141-H	1
49	9H73-74	R.H.-Top Green Gray Leather, Side M-19104-C Green Gray Broadcloth	8H 7324140-C	1
49	9H73-74	L.H.-Top Green Gray Leather, Side M-19104-C Green Gray Broadcloth	8H 7324141-C	1
49	9H73-74	R.H.-Top Dark Green Leather, Side M-19106-A Light Green Plain Broadcloth	8H 7324140-F	1
49	9H73-74	L.H.-Top Dark Green Leather, Side M-19106-A Light Green Plain Broadcloth	8H 7324141-F	1
49	9H73-74	R.H.-Top Tan Leather, Side M-19101-T Brown Stripe Broadcloth	8H 7324140-B	1
49	9H73-74	L.H.-Top Tan Leather, Side M-19101-T Brown Stripe Broadcloth	8H 7324141-B	1
49	9H73-74	R.H.-Top Dark Tan Leather, Side M-19106-C Light Tan Plain Broadcloth	8H 7324140-G	1
49	9H73-74	L.H.-Top Dark Tan Leather, Side M-19106-C Light Tan Plain Broadcloth	8H 7324141-G	1

Lincoln and Lincoln Cosmopolitan

BODY PARTS CATALOGUE

YEAR 19__	BODY TYPES	REMARKS	PART NUMBER	NO. REQ'D
Group 24140-1 REST ASSEMBLY (FRONT DOOR ARM)-CONTINUED				
49	9H76	R.H.-Blue Leather-plain type	8H 7624140-D	1
49	9H76	L.H.-Blue Leather-plain type	8H 7624141-D	1
49	9H76	R.H.-Blue Leather-pull type	8H 7624140-AB	1
49	9H76	L.H.-Blue Leather-pull type	8H 7624141-AB	1
49	9H76	R.H.-Blue and Light Neutral Gray Leather-plain type	8H 7624140-K	1
49	9H76	L.H.-Blue and Light Neutral Gray Leather-plain type	8H 7624141-K	1
49	9H76	R.H.-Blue and Light Neutral Gray Leather-pull type	8H 7624140-AG	1
49	9H76	L.H.-Blue and Light Neutral Gray Leather-pull type	8H 7624141-AG	1
49	9H76	R.H.-Top Blue Leather, Side M-19146-M Blue Whipcord-plain type	8H 7624140-S	1
49	9H76	L.H.-Top Blue Leather, Side M-19146-M Blue Whipcord-plain type	8H 7624141-S	1
49	9H76	R.H.-Top Blue Leather, Side M-19146-M Blue Whipcord-pull type	8H 7624140-AP	1
49	9H76	L.H.-Top Blue Leather, Side M-19146-M Blue Whipcord-pull type	8H 7624141-AP	1
49	9H76	R.H.-Green Leather-plain type	8H 7624140-C	1
49	9H76	L.H.-Green Leather-plain type	8H 7624141-C	1
49	9H76	R.H.-Green Leather-pull type	8H 7624140-AA	1
49	9H76	L.H.-Green Leather-pull type	8H 7624141-AA	1
49	9H76	R.H.-Green and Light Neutral Gray Leather-plain type	8H 7624140-J	1
49	9H76	L.H.-Green and Light Neutral Gray Leather-plain type	8H 7624141-J	1
49	9H76	R.H.-Green and Light Neutral Gray Leather-pull type	8H 7624140-AG	1
49	9H76	L.H.-Green and Light Neutral Gray Leather-pull type	8H 7624141-AG	1
49	9H76	R.H.-Top Green Leather, Side M-19146-L Green Whipcord-plain type	8H 7624140-Q	1
49	9H76	L.H.-Top Green Leather, Side M-19146-L Green Whipcord-plain type	8H 7624141-Q	1
49	9H76	R.H.-Top Green Leather, Side M-19146-L Green Whipcord-pull type	8H 7624140-AN	1
49	9H76	L.H.-Top Green Leather, Side M-19146-L Green Whipcord-pull type	8H 7624141-AN	1
49	9H76	R.H.-Lime Green Leather-plain type	8H 7624140-F	1
49	9H76	L.H.-Lime Green Leather-plain type	8H 7624141-F	1
49	9H76	R.H.-Lime Green Leather-pull type	8H 7624140-AD	1
49	9H76	L.H.-Lime Green Leather-pull type	8H 7624141-AD	1
49	9H76	R.H.-Lime Green and Light Neutral Gray Leather-plain type	8H 7624140-M	1
49	9H76	L.H.-Lime Green and Light Neutral Gray Leather-plain type	8H 7624141-M	1
49	9H76	R.H.-Lime Green and Light Neutral Gray Leather-pull type	8H 7624140-AK	1
49	9H76	L.H.-Lime Green and Light Neutral Gray Leather-pull type	8H 7624141-AK	1
49	9H76	R.H.-Top Lime Green Leather, Side M-19146-N Yellow Beige Whipcord-plain type	8H 7624140-U	1
49	9H76	L.H.-Top Lime Green Leather, Side M-19146-N Yellow Beige Whipcord-plain type	8H 7624141-U	1
49	9H76	R.H.-Top Lime Green Leather, Side M-19146-N Yellow Beige Whipcord-pull type	8H 7624140-AS	1
49	9H76	L.H.-Top Lime Green Leather, Side M-19146-N Yellow Beige Whipcord-pull type	8H 7624141-AS	1
49	9H76	R.H.-Red Leather-plain type	8H 7624140-A	1
49	9H76	L.H.-Red Leather-plain type	8H 7624141-A	1
49	9H76	L.H.-Red Leather-pull type	8H 7624141-AT	1
49	9H76	R.H.-Red Leather-pull type	8H 7624140-AT	1
49	9H76	R.H.-Red and Light Neutral Gray Leather-plain type	8H 7624140-G	1
49	9H76	L.H.-Red and Light Neutral Gray Leather-plain type	8H 7624141-G	1
49	9H76	L.H.-Red and Light Neutral Gray Leather-pull type	8H 7624141-AU	1
49	9H76	R.H.-Red and Light Neutral Gray Leather-pull type	8H 7624140-AU	1
49	9H76	R.H.-Top Red Leather, Side M-19146-K Beige Whipcord-plain type	8H 7624140-N	1
49	9H76	L.H.-Top Red Leather, Side M-19146-K Beige Whipcord-plain type	8H 7624141-N	1
49	9H76	R.H.-Top Red Leather Side M-19146-K Beige Whipcord-pull type	8H 7624140-AV	1
49	9H76	L.H.-Top Red Leather, Side M-19146-K Beige Whipcord-pull type	8H 7624141-AV	1
49	9H76	R.H.-Tan Leather-plain type	8H 7624140-B	1
49	9H76	L.H.-Tan Leather-plain type	8H 7624141-B	1
49	9H76	R.H.-Tan Leather-pull type	8H 7624140-Z	1
49	9H76	L.H.-Tan Leather-pull type	8H 7624141-Z	1

Lincoln and Lincoln Cosmopolitan

BODY PARTS CATALOGUE

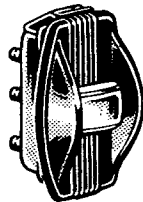
YEAR 19	BODY TYPES	REMARKS	PART NUMBER	NO. REQ'D
Group 24140-1 REST ASSEMBLY (FRONT DOOR ARM)-CONTINUED				
49	9H76	R.H.-Tan and Light Neutral Gray Leather-plain type	8H 7624140-H	1
49	9H76	L.H.-Tan and Light Neutral Gray Leather-plain type	8H 7624141-H	1
49	9H76	R.H.-Tan and Light Neutral Gray Leather-pull type	8H 7624140-AF	1
49	9H76	L.H.-Tan and Light Neutral Gray Leather-pull type	8H 7624141-AF	1
49	9H76	R.H.-Top Tan Leather, Side M-19146-K Beige Whipcord-plain type	8H 7624140-P	1
49	9H76	L.H.-Top Tan Leather, Side M-19146-K Beige Whipcord-plain type	8H 7624141-P	1
49	9H76	R.H.-Top Tan Leather, Side M-19146-K Beige Whipcord-pull type	8H 7624140-AM	1
49	9H76	L.H.-Top Tan Leather, Side M-19146-K Beige Whipcord-pull type	8H 7624141-AM	1
49	9H76	R.H.-Yellow Leather-plain type	8H 7624140-E	1
49	9H76	L.H.-Yellow Leather-plain type	8H 7624141-E	1
49	9H76	R.H.-Yellow Leather-pull type	8H 7624140-AC	1
49	9H76	L.H.-Yellow Leather-pull type	8H 7624141-AC	1
49	9H76	R.H.-Yellow and Light Neutral Gray Leather-plain type	8H 7624140-L	1
49	9H76	L.H.-Yellow and Light Neutral Gray Leather-plain type	8H 7624141-L	1
49	9H76	R.H.-Yellow and Light Neutral Gray Leather-pull type	8H 7624140-AJ	1
49	9H76	L.H.-Yellow and Light Neutral Gray Leather-pull type	8H 7624141-AJ	1
49	9H76	R.H.-Top Yellow Leather, Side M-19146-N Yellow Beige Whipcord-plain type	8H 7624140-T	1
49	9H76	L.H.-Top Yellow Leather, Side M-19146-N Yellow Beige Whipcord-plain type	8H 7624141-T	1
49	9H76	R.H.-Top Yellow Leather, Side M-19146-N Yellow Beige Whipcord-pull type	8H 7624140-AQ	1
49	9H76	L.H.-Top Yellow Leather, Side M-19146-N Yellow Beige Whipcord-pull type	8H 7624141-AQ	1
49	9L	Screw (binding head sheet metal)-No. 8 x 5/8"	32930-S7	2
49	9L except 76, 9H except 76	Screw (binding head sheet metal)-No. 8 x 1/2"	32923-S7	8or10
49	9L, 9H except 76	Washer (plain)-No. 8	34702-S7-8	10or12

Group 24190-1 MOULDING (DOOR ARM REST)

49	9L76	R.H.-Rustless Steel	8L 7624190-A	1
49	9L76	L.H.-Rustless Steel	8L 7624191-A	1
49	9L76	R.H.-Chrome Finish	8L 7624190-B	1
49	9L76	L.H.-Chrome Finish	8L 7624191-B	1
49	9H76	R.H.-Rustless Steel	8H 7624190-A	1
49	9H76	L.H.-Rustless Steel	8H 7624191-A	1
49	9H76	R.H.-Chrome Finish	8H 7624190-B	1
49	9H76	L.H.-Chrome Finish	8H 7624191-B	1

Group 24193 SPRING (HYDRAULIC WINDOW MOUNTING STUD)

49	9L, 9H		8H 7324193	as reqd
----	--------	--	------------	---------



8L-7024206

PL-287

Group 24206 SWITCH ASSEMBLY (HYDRAULIC SEAT REGULATOR CONTROL)

49	9L72-74	Special equipment	8L 7024206	1
49	9L76, 9H		8L 7024206	1
49	9H	Nut (hex head)-No. 10 x 32	34079-S7	1
49	9L, 9H	Washer (lock)-No. 6	34801-S7	3

Lincoln and Lincoln Cosmopolitan

BODY PARTS CATALOGUE

YEAR	BODY TYPES	REMARKS	PART NUMBER	NO. REQ'D
19				
Group 24206 SWITCH (HYDRAULIC WINDOW REGULATOR CONTROL)				
49	9L except 76	Special equipment	8H 7224206	3or7
49	9L76,9H		8H 7224206	7
49	9L,9H	Washer (lock)-No. 6	34801-S7	as req'd
Group 24219 BAR (WINDOW REGULATOR SWITCH BUS)				
49	9L74-76,9H		8M 7624219	2
Group 24230 ESCUTCHEON (HYDRAULIC SEAT REGULATOR)				
49	9L except 76	Special equipment	7EH 7324230	1
49	9L76		7EH 7324230	1
49	9H		7EH 7324230	1
Group 24231 PIN (HYDRAULIC SWITCH KNOB RETAINING)				
49	9L,9H		8M 7024231	as req'd
Group 24232 PLATE (DOME LAMP SWITCH MOUNTING)				
49	9L76,9H76	quarter panel	8H 7224232	1
Group 24232-3 PLATE (WINDOW REGULATOR SWITCH MOUNTING)				
49	9L74	Special equipment	8H 7224233	1
49	9L except 76	Special equipment	8H 7224232	2or3
49	9L76		8H 7224232	4
49	9L76,9H		8H 7224233	1
49	9H		8H 7224232	3or4
Group 24248 SUPPORT (DOOR HYDRAULIC WINDOW REGULATOR)				
49	9L except 76		8M 7024248-B	2or4
49	9L except 76	Screw (pan head)-1/4"-20 x 5/8"	39072-S2	8
49	9L except 76	Nut (hex head)-1/4"-20	34390-S7	8
49	9L except 76	Washer (flat)-1/4"	34745-S2	8
Group 24258 COVER SPRING (HYDRAULIC WINDOW REGULATOR HOSE AND WIRE)				
49	9L72-74	front door	8M 7424258	4
49	9L76	13-9/32" long	8M 7624258	2
49	9H		26H 7324258-A	4or8
Group 24300 PILLAR ASSEMBLY (BODY CENTER)				
49	9L74		8M 7324300	2
49	9H73-74		8H 7324300-B	2
Group 24324-5 HINGE (PILLAR)-FOLDING TOP				
49	9L76	R.H.	8M 7624324	1
49	9L76	L.H.	8M 7624325	1
49	9H76	R.H.	8H 7624324	1
49	9H76	L.H.	8H 7624325	1
49	9L76,9H76	Lockwasher-1/4"	34805-S2	as req'd
49	9L76,9H76	Screw (Fillister head)-1/4"-20 x 5/8"	31080-S7	as req'd

Lincoln and Lincoln Cosmopolitan

BODY PARTS CATALOGUE

YEAR 19__	BODY TYPES	REMARKS	PART NUMBER	NO. REQ'D
Group 24344-5 STRIP ASSEMBLY (BODY CENTER PILLAR FINISH)-UPPER				
49	9L74	R.H.-Blue Metallic Finish	8L 7324344-D	1
49	9L74	L.H.-Blue Metallic Finish	8L 7324345-D	1
49	9L74	R.H.-Gold Fleck Dark Gray Metallic Finish	8L 7324344-B	1
49	9L74	L.H.-Gold Fleck Dark Gray Metallic Finish	8L 7324345-B	1
49	9L74	R.H.-Green Metallic Finish	8L 7324344-C	1
49	9L74	L.H.-Green Metallic Finish	8L 7324345-C	1
49	9L74	R.H.-Tan Metallic Finish	8L 7324344-E	1
49	9L74	L.H.-Tan Metallic Finish	8L 7324345-E	1
49	9L74	R.H.-in Prime	8L 7324344-DP	1
49	9L74	L.H.-in Prime	8L 7324345-DP	1
Group 24394 MOULDING ASSEMBLY (BODY CENTER PILLAR FINISH STRIP)				
49	9L74	Rustless Steel	8L 7324394-A	2
49	9L74	Chrome Finish	8L 7324394-B	2
Group 24410-1 STRIP (FRONT DOOR FINISH)-REAR				
49	9H except 76	R.H.-Gold Fleck Dark Gray Metallic Finish	8H 7324410-C	1or2
49	9H except 76	L.H.-Gold Fleck Dark Gray Metallic Finish	8H 7324411-C	1or2
49	9H except 76	R.H.-Chrome Finish	8H 7324410-E	1or3
49	9H except 76	L.H.-Chrome Finish	8H 7324411-E	1or3
49	9H except 76	R.H.-in Prime	8H 7324410-CP	1or3
49	9H except 76	L.H.-in Prime	8H 7324411-CP	1or3
49	9H73-74	Screw (Phillips oval head)-No. 6 x 1/2"	52342-813	as req'd
Group 24414 BUMPER (BODY CENTER PILLAR)				
49	9H73-74		8H 7324414-A	2
Group 24446 TRIM ASSEMBLY (BODY CENTER PILLAR)-LOWER				
49	9L74	Upper M-19101-U Blue Green Birdseye Broadcloth, Lower M-19152-L Gray Broadcloth	8L 7324446-A	2
49	9L74	Upper M-19141-N Gray Bedford Cord, Lower M-19152-T Blue Gray Broadcloth	8L 7324446-C	2
49	9L74	Upper M-19141-P Dark Gray Bedford Cord, Lower M-19152-T Blue Gray Broadcloth	8L 7324446-F	2
49	9L74	M-19106-G Light Gray Plain Broadcloth	8L 7424446-C	2
49	9L74	M-19106-A Light Green Plain Broadcloth	8L 7424446-A	2
49	9L74	Upper M-19101-P Tan and Yellow Check Broadcloth, Lower M-19152-M Brown Taupe Broadcloth	8L 7324446-B	2
49	9L74	Upper M-19101-W Tan and Yellow Broken Stripes, Lower M-19152-M Brown Taupe Broadcloth	8L 7324446-E	2
49	9L74	M-19106-C Light Tan Plain Broadcloth	8L 7424446-B	2
49	9L74	Fastener (trim)	353175-S21	16

Lincoln and Lincoln Cosmopolitan

BODY PARTS CATALOGUE

YEAR 19	BODY TYPES	REMARKS	PART NUMBER	NO. REQ'D
Group 24446 TRIM ASSEMBLY (BODY CENTER PILLAR)				
49	9H73-74	Upper M-19101-V Blue Gray Broadcloth, Center M-19101-L Blue Gray Broadcloth, Lower Blue Gray Artificial Leather	8H 7324446-A	2
49	9H73-74	Upper M-19104-F Blue Gray Broadcloth, Center M-19104-D Blue Gray Broadcloth, Lower Dark Blue Gray Artificial Leather	8H 7324446-D	2
49	9H73-74	M-19106-G Light Gray Plain Broadcloth	8H 7324446-N	2
49	9H73-74	Upper M-19104-E Green Broadcloth, Center M-19104-C Green Gray Broadcloth, Lower Green Gray Artificial Leather	8H 7324446-C	2
49	9H73-74	M-19106-A Light Green Plain Broadcloth	8H 7324446-L	2
49	9H73-74	Upper M-19101-N Tan Broadcloth, Center M-19101-T Brown Stripe Broadcloth, Lower Tan Artificial Leather	8H 7324446-B	2
49	9H73-74	M-19106-C Light Tan Plain Broadcloth	8H 7324446-M	2
49	9H73-74	Fastener (trim)	353311-A1-S	22
49	9H73-74	Washer	351462-S	22

Group 24538 WINDLACE AND REINFORCEMENT ASSEMBLY (BODY CENTER PILLAR)				
49	9H73-74	use with Blue Tweed or Pin Stripe Cloth Scheme-45" long	8H 7324538-A	4
49	9H73-74	use with Green Gray Cloth Scheme-45" long	8H 7324538-C	4
49	9H73-74	use with Gray Narrow Stripe Scheme-45" long	8H 7324538-F	4
49	9H73-74	use with Green Narrow Stripe Cloth Scheme-45" long	8H 7324538-F	4
49	9H73-74	use with Tan Cloth Scheme-45" long	8H 7324538-B	4
49	9H73-74	use with Tan Narrow Stripe Cloth Scheme-45" long	8H 7324538-G	4

Group 24622-3 DOOR ASSEMBLY (REAR)-LESS PAINT, TRIM, GLASS, HANDLES, HINGES, LOCK AND REGULATOR				
49	9L74	R.H.-Manual Control-pull type with 90° angle below vent window hinge side	8L 7424622-A	1
49	9L74	L.H.-Manual Control-pull type with 90° angle below vent window hinge side	8L 7424623-A	1
49	9L74	R.H.-Manual Control-pull type with 45° angle below ven window	8L 7424622-D	1
49	9L74	L.H.-Manual Control-pull type with 45° angle below vent window	8L 7424623-D	1
49	9L74	R.H.-Hydraulic Control-drilled for push button type handle	8L 7424622-E	1
49	9L74	L.H.-Hydraulic Control-drilled for push button type	8L 7424623-E	1
49	9L74	R.H.-Manual Control-drilled for push button type handle	8L 7424622-F	1
49	9L74	L.H.-Manual Control-drilled for push button type handle	8L 7424623-F	1
49	9H73-74	R.H.	8H 7324622-B	1
49	9H73-74	L.H.	8H 7324623-B	1

Group 24754-5 WELT AND CARDBOARD ASSEMBLY (REAR DOOR WINDOW FINISH)				
49	9L74	R.H.-56-1/2" long	8M 7424754	1
49	9L74	L.H.-56-1/2" long	8M 7424755	1

Group 25104-5 WEATHERSTRIP (REAR DOOR BOTTOM)				
49	9L74	R.H.	8M 7325104	1
49	9L74	L.H.	8M 7325105	1
49	9H73-74	R.H.	8H 7325104	1
49	9H73-74	L.H.	8H 7325105	1

Lincoln and Lincoln Cosmopolitan

BODY PARTS CATALOGUE

YEAR 19__	BODY TYPES	REMARKS	PART NUMBER	NO. REQ'D
Group 25110 WEATHERSTRIP (REAR DOOR OPENING HEADER)				
49	9H73-74	replaced by 8H-7325324-5	7EH 7325110	2
Group 25116 WINDLACE ASSEMBLY (REAR DOOR OPENING)-OUTER				
49	9H73	use with Blue Tweed Cloth Scheme	8H 7325116-A	2
49	9H73	use with Blue Pin Stripe Cloth Scheme	8H 7325116-D	2
49	9H73	use with Green Gray Cloth Scheme	8H 7325116-C	2
49	9H73	use with Tan Cloth Scheme	8H 7325116-B	2
49	9H74	use with Blue Tweed Scheme	8H 7425116-A	2
49	9H74	use with Blue Pin Stripe Scheme	8H 7425116-D	2
49	9H74	use with Green Gray Scheme	8H 7425116-C	2
49	9H74	use with Tan Cloth Scheme	8H 7425116-B	2
49	9H73-74	use with Gray Narrow Stripe Cloth Scheme	8H 7325116-G	2
49	9H73-74	use with Green Narrow Stripe Cloth Scheme	8H 7325116-E	2
49	9H73-74	use with Tan Narrow Stripe Cloth Scheme	8H 7325116-F	2
Group 25120-1 STRIP (REAR DOOR FINISH)-UPPER				
49	9H74	Gold Fleck Dark Gray Metallic Finish	8H 7425120-C	2
49	9H73-74	Blue Metallic Finish-replaced by 8H-7325120-AP	8H 7325120-AAC	2
49	9H73-74	Gold Fleck Dark Gray Metallic Finish	8H 7325120-C	2
49	9H73-74	Green Metallic Finish-replaced by 8H-7325120-AP	8H 7325120-AAB	2
49	9H73-74	Tan Metallic Finish-replaced by 8H-7325120-AP	8H 7325120-AAA	2
49	9H73-74	Chrome Finish	8H 7325120-D	2
49	9H73-74	in Prime	8H 7325120-AP	2
49	9H73-74	Screw (Phillips oval head)-No. 6 x 1/2"	52342-S13	as req'd
Group 25306 WEATHERSTRIP (REAR DOOR)-BOTTOM				
49	9H73-74	replaced by 8H-7325104-5	7EH 7325306	2
Group 25306 WEATHERSTRIP (REAR DOOR BOTTOM)-INNER				
49	9L74	replaced by 8M-7325104-5	7A 7325306-A	2
Group 25308 WEATHERSTRIP (REAR DOOR LOCK PILLAR)-LOWER				
49	9L74		8M 7325308-A	2
Group 25312 RETAINER (REAR DOOR BOTTOM WEATHERSTRIP)				
49	9L74	26-5/16" long-replaced by 8A-7325312-B	7A 7325312	2
49	9L74	22-5/8" long	8A 7325312-B	2
49	9H73-74	27-7/32" long	7EH 7325312	2
49	9H73-74	Screw (binding head self tapping)-No. 8 x 1/2"	351675-S23	14
Group 25324-5 WEATHERSTRIP (REAR DOOR HINGE SIDE AND HEADER)				
49	9H73-74	R.H.	8H 7325324	1
49	9H73-74	L.H.	8H 7325325	1
Group 25324-5 WEATHERSTRIP (REAR DOOR OPENING)-OUTER				
49	9L74	R.H.-replaced by 8M-7425324-B	8M 7425324-A	1
49	9L74	L.H.-replaced by 8M-7425325-B	8M 7425325-A	1
49	9L74	R.H.-108-1/4" long	8M 7425324-B	1
49	9L74	L.H.-108-1/4" long	8M 7425325-B	1

Lincoln and Lincoln Cosmopolitan

BODY PARTS CATALOGUE

YEAR 19	BODY TYPES	REMARKS	PART NUMBER	NO. REQ'D
Group 25332-3 WEATHERSTRIP (REAR DOOR HINGE PILLAR)-LOWER				
49	9L74	R.H.-replaced by 8M-7325104	8M 7325332-A	1
49	9L74	L.H.-replaced by 8M-7325105	8M 7325333-A	1
Group 25500-1 STRIP ASSEMBLY (REAR DOOR WINDOW FINISH)-COMPLETE				
49	9L74	R.H.-Blue Metallic Finish	8L 7425500-C	1
49	9L74	L.H.-Blue Metallic Finish	8L 7425501-C	1
49	9L74	R.H.-Gold Fleck Dark Gray Metallic Finish	8L 7425500-A	1
49	9L74	L.H.-Gold Fleck Dark Gray Metallic Finish	8L 7425501-A	1
49	9L74	R.H.-Green Metallic Finish	8L 7425500-B	1
49	9L74	L.H.-Green Metallic Finish	8L 7425501-B	1
49	9L74	R.H.-Tan Metallic Finish	8L 7425500-D	1
49	9L74	L.H.-Tan Metallic Finish	8L 7425501-D	1
49	9H73-74	R.H.-Lincoln Texture Blue Metallic Finish	8H 7325500-BAC	1
49	9H73-74	L.H.-Lincoln Texture Blue Metallic Finish	8H 7325501-BAC	1
49	9H73-74	R.H.-Gold Fleck Dark Gray Metallic Finish-replaced by 8H-7325500	7EH 7325500	1
49	9H73-74	L.H.-Gold Fleck Dark Gray Metallic Finish-replaced by 8H-7325501	7EH 7325501	1
49	9H73-74	R.H.-Gold Fleck Dark Gray Metallic Finish	8H 7325500	1
49	9H73-74	L.H.-Gold Fleck Dark Gray Metallic Finish	8H 7325501	1
49	9H73-74	R.H.-Lincoln Texture Green Metallic Finish	8H 7325500-BAB	1
49	9H73-74	L.H.-Lincoln Texture Green Metallic Finish	8H 7325501-BAB	1
49	9H73-74	R.H.-Lincoln Texture Tan Metallic Finish	8H 7325500-BAA	1
49	9H73-74	L.H.-Lincoln Texture Tan Metallic Finish	8H 7325501-BAA	1
49	9H73-74	R.H.-in Prime-with Chrome moulding	8E 7325500-CP	1
49	9H73-74	L.H.-in Prime-with Chrome moulding	8H 7325501-CP	1
49	9L74	Screw (Phillips head sheet metal)-No. 8 x 3/4"	350095-S13	8
49	9H73-74	Screw (Phillips head sheet metal)-No. 8 x 5/8"	350066-S13	8
Group 25536 MOULDING (REAR DOOR FINISH STRIP)				
49	9L74	R.H.-26-17/32" long-Rustless Steel	8L 7425536-A	1
49	9L74	L.H.-26-17/32" long-Rustless Steel	8L 7425537-A	1
49	9L74	R.H.-26-17/32" long-Chrome Finish	8L 7425536-B	1
49	9L74	L.H.-26-17/32" long-Chrome Finish	8L 7425537-B	1
Group 25554-5 MOULDING (REAR DOOR OUTSIDE PANEL)-AT BELT				
49	9L74	R.H.-29-3/64" long-with Square Edge	8M 7425554-A	1
49	9L74	L.H.-29-3/64" long-with Square Edge	8M 7425555-A	1
49	9L74	R.H.-29-3/64" long-with Angled Edge	8M 7425554-B	1
49	9L74	L.H.-29-3/64" long-with Angled Edge	8M 7425555-B	1
49	9H73-74	R.H.	8H 7325544	1
49	9H73-74	L.H.	8H 7325545	1
49	9L74	Retainer (moulding)	358168-S3	10
Group 25558 MOULDING ASSEMBLY (REAR DOOR TRIM PANEL)-LOWER				
49	9L74	Rustless Steel-24-1/4" long	8L 7325558-A	2
49	9L74	Chrome Finish-24-1/4" long	8L 7325558-B	2
49	9H73-74	27-1/2" long-flat back	7EH 7325558	2
49	9H73-74	27-17/64" long-curved back	8H 7325558	2
Group 25588-9 MOULDING AND WEATHERSTRIP ASSEMBLY (REAR DOOR WINDOW PANEL REVEAL)				
49	9L74	R.H.	8M 7425588	1
49	9L74	L.H.	8M 7425589	1

Lincoln and Lincoln Cosmopolitan

BODY PARTS CATALOGUE

YEAR 19	BODY TYPES	REMARKS	PART NUMBER	NO. REQ'D
Group 25590 MOULDING ASSEMBLY (REAR DOOR WINDOW FINISH STRIP)				
49	9H73-74	Rustless Steel	7EH 7325590	2
49	9H73-74	Chrome Finish	8H 7325590	2
Group 25668-9 MOULDING AND CLIP ASSEMBLY (REAR DOOR WINDOW PANEL REVEAL)-REAR-OUTSIDE				
49	9L74	R.H.-replaced by 8M-7425588	7A 7425668	1
49	9L74	L.H.-replaced by 8M-7425589	7A 7425669	1
Group 25674-5 MOULDING AND STUD ASSEMBLY (REAR DOOR PANEL)-LOWER-OUTSIDE				
49	9L74	R.H.-with Straight Edge	8L 7325674-A	1
49	9L74	L.H.-with Straight Edge	8L 7325675-A	1
49	9L74	R.H.-with Beveled Edge	8L 7325674-B	1
49	9L74	L.H.-with Beveled Edge	8L 7325675-B	1
49	9L74	Lockwasher-No. 10	34803-S7	10
49	9L74	Stud-No. 10-24 x 1"	352775-S34	10
Group 25712 GLASS ASSEMBLY (REAR DOOR WINDOW)				
49	9L74		8M 7425712-A	2
49	9H73		7EH 7325712	2
49	9H74		7EH 7425712	2
Group 25724 STRIP (REAR DOOR GLASS RETAINING)				
49	9H73-74	use M-17779-A for service 28." long	8H 7325724-A	2
Group 25724 STRIP (REAR DOOR WINDOW RETAINER)				
49	9L74	use M-17779-A for service 15-3/8" long	8M 7425724-D	2
Group 25744 RUN (REAR DOOR GLASS)-REAR				
49	9H73	29-15/16" long	7EH 7325744	2
49	9H74	29-9/32" long	7EH 7425744	2
Group 25764 RUN ASSEMBLY (REAR DOOR GLASS)-UPPER				
49	9H73	22-17/32" long	7EH 7325764	2
49	9H74	22-59/64" long	7EH 7425764	2
Group 25790 GUIDE (REAR DOOR GLASS RUN)-HINGE SIDE LOWER				
49	9H73-74	14-31/32" long	7EH 7325790	2
49	9H73-74	15-5/8" long	8H 7325790	2
Group 25852-3 WEATHERSTRIP (REAR DOOR BELT)				
49	9H73-74	R.H.	7EH 7325852	1
49	9H73-74	L.H.	7EH 7325853	1
Group 25854 WEATHERSTRIP (REAR DOOR WINDOW FINISH MOULDING)				
49	9H73-74		7EH 7325854	2

Lincoln and Lincoln Cosmopolitan

BODY PARTS CATALOGUE

YEAR 19__	BODY TYPES	REMARKS	PART NUMBER	NO. REQ'D
Group 25856 WEATHERSTRIP (REAR DOOR GLASS HEADER)				
49	9L74		7A 7425856-A	2
Group 26220-1 FRAME ASSEMBLY (REAR DOOR GLASS)				
49	9H73	R.H.	8H 7326220-B	1
49	9H73	L.H.	8H 7326221-B	1
49	9H74	R.H.	8H 7426220-B	1
49	9H74	L.H.	8H 7426221-B	1
49	9H73-74	Bolt and lockwasher assy (hex head)-1/4"-28 x 5/16"	350197-S7	8
49	9H73-74	Bolt and lockwasher assy (hex head)-1/4"-28 x 5/8"	350199-S7	4
49	9H73-74	Nut (square head)-1/4"-28	34143-S2	4
49	9H except 76	Screw and lockwasher assy (hex head)-1/4"-28 x 5/8"	42904-S8	4
40	9H73-74	Washer (flat)-3/4" x 9/32"	34745-S2	4
Group 26224-5 GLASS AND CHANNEL ASSEMBLY (REAR DOOR WINDOW)				
49	9L74	R.H.-replaced by 8M-7425712-A, 8M-7426258, 7A-7426228 & M-17779-A	+8M 7426224-A	1
49	9L74	L.H.-replaced by 8M-7425712-A, 8M-7426258, 7A-7426229 & M-17779-A	+8M 7426225-A	1
Group 26228-9 CHANNEL AND BRACKET ASSEMBLY (REAR DOOR GLASS)				
49	9L74	R.H.	+7A 7426228-A	1
49	9L74	L.H.	+7A 7426229-A	1
49	9L74	R.H.	◇8M 7426228-B	1
49	9L74	L.H.	◇8M 7426229-B	1
49	9H73-74	R.H.	8H 7326228-B	1
49	9H73-74	L.H.	8H 7326229-B	1
Group 26258 WEATHERSTRIP (REAR DOOR GLASS CHANNEL)				
49	9L74	15-3/8" long-replaced by 7EH-7221510	8M 7426258	2
49	9H73-74	24-41/64" long-replaced by 7EH-7221510	7EH 7326258	2
Group 26404-5 CONTROL ASSEMBLY (REAR DOOR LOCK REMOTE)				
49	9L74	R.H.	8M 7326404	1
49	9L74	L.H.	8M 7326405	1
Group 26406-7 CONTROL ASSEMBLY (REAR DOOR LOCK REMOTE)				
49	9H73-74	R.H.	7EH 7326406	1
49	9H73-74	L.H.	7EH 7326407	1
49	9H73-74	Lockwasher (internal tooth) No. 12	34904-S2	6
49	9H73-74	Screw (binding head)-No. 12-24 x 1/2"	39049-S2	6
Group 26412-3 LOCK ASSEMBLY (REAR DOOR)				
49	9L74	R.H.-Pull Type Handle	8M 7326412	1
49	9L74	L.H.-Pull Type Handle	8M 7326413	1
49	9L74, 9H73-74	R.H.-Push Button Type Handle	8H 7326412	1
49	9L74, 9H73-74	L.H.-Push Button Type Handle	8H 7326413	1
49	9L74, 9H73-74	Screw and lockwasher assy (oval head) No. 10-32 x 1/2"	50697-S8	8

+ Manual Control
 ◇ Hydraulic Control

Lincoln and Lincoln Cosmopolitan

BODY PARTS CATALOGUE

YEAR	BODY TYPES	REMARKS	PART NUMBER	NO. REQ'D
Group 26800-1 HINGE ASSEMBLY (REAR DOOR)-UPPER				
49	9L74	R.H.	8M 7326800	1
49	9L74	L.H.	8M 7326801	1
49	9H73-74	R.H.	7EH 7326800	1
49	9H73-74	L.H.	7EH 7326801	1
Group 26810-1 HINGE ASSEMBLY (REAR DOOR)-LOWER				
49	9L74	R.H.	8M 7326810	1
49	9L74	L.H.	8M 7326811	1
49	9H73-74	R.H.	7EH 7326810	1
49	9H73-74	L.H.	7EH 7326811	1
Group 26866-7 WINDOW AND FINISH STRIP ASSEMBLY (REAR DOOR VENTILATOR)-COMPLETE				
49	9L74	R.H.-Blue Metallic Finish	8L 7426866-C	1
49	9L74	L.H.-Blue Metallic Finish	8L 7426867-C	1
49	9L74	R.H.-Gold Fleck Dark Gray Metallic Finish	8L 7426866-A	1
49	9L74	L.H.-Gold Fleck Dark Gray Metallic Finish	8L 7426867-A	1
49	9L74	R.H.-Green Metallic Finish	8L 7426866-B	1
49	9L74	L.H.-Green Metallic Finish	8L 7426867-B	1
49	9L74	R.H.-Tan Metallic Finish	8L 7426866-D	1
49	9L74	L.H.-Tan Metallic Finish	8L 7426867-D	1
49	9L74	R.H.-in Prime	8L 7426866-BP	1
49	9L74	L.H.-in Prime	8L 7426867-BP	1
49	9L74	Lockwasher (internal tooth)-1/4"	34905-S7	2
Group 26868-9 GLASS AND FRAME ASSEMBLY (REAR DOOR VENTILATING WINDOW)				
49	9L74	R.H.	7A 7426868	1
49	9L74	L.H.	7A 7426869	1
Group 26870 GLASS ASSEMBLY (REAR DOOR VENTILATOR WINDOW)				
49	9L74		8M 7426870-A	2
Group 26875 STRIP (REAR DOOR VENT WINDOW GLASS RETAINING)				
49	9L74	Secure Locally	7A 7426875-B	2
Group 26876-7 FRAME ASSEMBLY (REAR DOOR VENT WINDOW)				
49	9L74	R.H.-replaced by 7A-7426868	7A 7426876	1
49	9L74	L.H.-replaced by 7A-7426869	7A 7426877	1
Group 26894-5 WEATHERSTRIP (REAR DOOR VENT WINDOW)				
49	9L74	R.H.	7A 7426894	1
49	9L74	L.H.	7A 7426895	1
Group 27000-1 REGULATOR ASSEMBLY (REAR DOOR WINDOW)				
49	9L74	R.H.-Manual Control	8M 7427000	1
49	9L74	L.H.-Manual Control	8M 7427001	1
49	9L except 76	L.H.-Hydraulic Control-front and rear door	8M 7023201-B	1or2
49	9L except 76	R.H.-Hydraulic Control-front and rear door	8M 7023200-B	1or2
49	9H	Hydraulic Control-front and rear door	8H 7323200-A	2or4
49	9L74	Lockwasher (internal tooth)-No. 12	34904-S2	24
49	9L74	Nut (hex) No. 12-24	34054-S2	2
49	9L74	Screw (binding head)-No. 12-24 x 1/2"	39049-S2	24
49	9L74	Washer (flat)-1/4"	34705-S2	2
49	9L74	Washer (flat)-5/16"	34706-S2	4

Lincoln and Lincoln Cosmopolitan

BODY PARTS CATALOGUE

YEAR 19	BODY TYPES	REMARKS	PART NUMBER	NO. REQ'D
Group 27200 ARM ASSEMBLY (REAR DOOR CHECK)				
49	9L74	4-11/32" long	8L 7327200	2
49	9L74	4-57/64" long	8M 7327200-B	2
Group 27336 COVER SPRING (HYDRAULIC WINDOW LIFT ROSE)-REAR DOOR				
49	9L74		8M 7427336	4
Group 27338 SUPPORT (REAR DOOR HYDRAULIC WINDOW REGULATOR INSIDE RAIL)-UPPER				
49	9L74		8M 7327338	2
Group 27406-7 TRIM ASSEMBLY (REAR DOOR)				
49	9L74	R.H.-Upper M-19101-U Blue Green Birdseye Broadcloth, Center M-19152-L Gray Broadcloth, Lower Gray Artificial Leather	+8L 7427406-A	1
49	9L74	L.H.-Upper M-19101-U Blue Green Birdseye Broadcloth, Center M-19152-L Gray Broadcloth, Lower Gray Artificial Leather	+8L 7427407-A	1
49	9L74	R.H.-Upper M-19101-U Blue Green Birdseye Broadcloth, Center M-19152-L Gray Broadcloth, Lower Gray Artificial Leather	◇8L-7427406-F	1
49	9L74	L.H.-Upper M-19101-U Blue Green Birdseye Broadcloth, Center M-19152-L Gray Broadcloth, Lower Gray Artificial Leather	◇8L 7427407-F	1
49	9L74	R.H.-Upper M-19141-N Gray Bedford Cord, Center M-19152-T Blue Gray Broadcloth, Lower Gray Bedford Artificial Leather	+8L 7427406-C	1
49	9L74	L.H.-Upper M-19141-N Gray Bedford Cord, Center M-19152-T Blue Gray Broadcloth, Lower Gray Bedford Artificial Leather	+8L 7427407-C	1
49	9L74	R.H.-Upper M-19141-N Gray Bedford Cord, Center M-19152-T Blue Gray Broadcloth, Lower Gray Bedford Artificial Leather	◇8L 7427406-H	1
49	9L74	R.H.-Upper M-19141-N Gray Bedford Cord, Center M-19152-T Blue Gray Broadcloth, Lower Gray Bedford Artificial Leather	◇8L 7427407-H	1
49	9L74	R.H.-Upper M-19141-P Dark Gray Bedford Cord, Center M-19152-T Blue Gray Broadcloth, Lower Gray Bedford Artificial Leather- Manual or Hydraulic Control	8L 7427406-K	1
49	9L74	L.H.-Upper M-19141-P Dark Gray Bedford Cord, Center M-19152-T Blue Gray Broadcloth, Lower Gray Bedford Artificial Leather- Manual or Hydraulic Control	8L 7427407-K	1
49	9L74	R.H.-Upper M-19106-G Light Gray Plain Broadcloth, Center M-19105-J Gray Shadow Stripe Broadcloth, Lower Light Gray Artificial Leather- Manual or Hydraulic Control	8L 7427406-N	1
49	9L74	L.H.-Upper M-19106-G Light Gray Plain Broadcloth, Center M-19105-J Gray Shadow Stripe Broadcloth, Lower Light Gray Artificial Leather- Manual or Hydraulic Control	8L 7427407-N	1
49	9L74	R.H.-Upper M-19106-A Light Green Plain Broadcloth, Center M-19105-G Green Shadow Stripe Broadcloth, Lower Light Green Artificial Leather- Manual or Hydraulic Control	8L 7427406-L	1
49	9L74	L.H.-Upper M-19106-A Light Green Plain Broadcloth, Center M-19105-G Green Shadow Stripe Broadcloth, Lower Light Green Artificial Leather- Manual or Hydraulic Control	8L 7427407-L	1
49	9L74	R.H.-Upper M-19101-P Tan and Yellow Check Broadcloth, Center M-19152-M Brown Taupe Broadcloth, Lower Tan Artificial Leather	+8L 7427406-B	1
49	9L74	L.H.-Upper M-19101-P Tan and Yellow Check Broadcloth, Center M-19152-M Brown Taupe Broadcloth, Lower Tan Artificial Leather	+8L 7427407-B	1
49	9L74	R.H.-Upper M-19101-W Tan and Yellow Broken Stripe, Center M-19152-M Brown Taupe Broadcloth, Lower Tan Artificial Leather	+8L 7427406-E	1
49	9L74	L.H.-Upper M-19101-W Tan and Yellow Broken Stripe, Center M-19152-M Brown Taupe Broadcloth, Lower Tan Artificial Leather	+8L 7427407-E	1

+ Manual Control

◇ Hydraulic Control

Lincoln and Lincoln Cosmopolitan

BODY PARTS CATALOGUE

YEAR 19__	BODY TYPES	REMARKS	PART NUMBER	NO. REQ'D
Group 27462 PLATE (REAR DOOR TRIM PANEL ATTACHING)				
49	9H73-74		8H 7327462	2
49	9H73-74	Screw (binding head sheet metal)-No. 8 x 5/8"	32930-S7	2
49	9H73-74	Washer (countersunk)-No. 8	34862-S23	2
Group 27518 WINDLACE ASSEMBLY (REAR DOOR HEADER)				
49	9H73-74	use with Blue Tweed or Pin Stripe Cloth Scheme-26" long	8H 7327518-A	2
49	9H73-74	use with Gray Narrow Stripe Cloth Scheme-26" long	8H 7327518-H	2
49	9H73-74	use with Green Gray Cloth Scheme-26" long	8H 7327518-C	2
49	9H73-74	use with Green Narrow Stripe Cloth Scheme-26" long	8H 7327518-F	2
49	9H73-74	use with Tan Cloth Scheme-26" long	8H 7327518-B	2
49	9H73-74	use with Tan Narrow Stripe Cloth Scheme-26" long	8H 7327518-G	2
Group 27540-1 REST ASSEMBLY (REAR DOOR ARM)				
49	9H73-74	R.H.-Top Blue Gray Leather, Side M-19101-L Blue Gray Broadcloth	8H 7327540-A	1
49	9H73-74	L.H.-Top Blue Gray Leather, Side M-19101-L Blue Gray Broadcloth	8H 7327541-A	1
49	9H73-74	R.H.-Top Blue Gray Leather, Side M-19104-D Blue Gray Broadcloth	8H 7327540-D	1
49	9H73-74	L.H.-Top Blue Gray Leather, Side M-19104-D Blue Gray Broadcloth	8H 7327541-D	1
49	9H73-74	R.H.-Top Light Gray Leather, Side M-19106-G Light Gray Plain Broadcloth	8H 7327540-H	1
49	9H73-74	L.H.-Top Light Gray Leather, Side M-19106-G Light Gray Plain Broadcloth	8H 7327541-H	1
49	9H73-74	R.H.-Top Green Gray Leather, Side M-19104-C Green Gray Broadcloth	8H 7327540-C	1
49	9H73-74	L.H.-Top Green Gray Leather, Side M-19104-C Green Gray Broadcloth	8H 7327541-C	1
49	9H73-74	R.H.-Top Dark Green Leather, Side M-19106-A Light Green Plain Broadcloth	8H 7327540-F	1
49	9H73-74	L.H.-Top Dark Green Leather, Side M-19106-A Light Green Plain Broadcloth	8H 7327541-F	1
49	9H73-74	R.H.-Top Tan Leather, Side M-19101-T Brown Stripe Broadcloth	8H 7327540-B	1
49	9H73-74	L.H.-Top Tan Leather, Side M-19101-T Brown Stripe Broadcloth	8H 7327541-B	1
49	9H73-74	R.H.-Top Dark Tan Leather, Side M-19106-C Light Tan Plain Broadcloth	8H 7327540-G	1
49	9H73-74	L.H.-Top Dark Tan Leather, Side M-19106-C Light Tan Plain Broadcloth	8H 7327541-G	1
49	9H73-74	Screw (binding head sheet metal)-No. 8 x 1/2"	32923-S7	8
49	9H73-74	Washer (plain)-No. 8	34702-S7-8	10
Group 27542-3 WINDLACE AND CORD ASSEMBLY (REAR DOOR OPENING)				
49	9L74	R.H.-use with M-19162-L Blue Green Headlining Cloth	8L 7327542-A	1
49	9L74	L.H.-use with M-19162-L Blue Green Headlining Cloth	8L 7327543-A	1
49	9L74	R.H.-use with M-19164-A Blue Green Headlining Cloth	8L 7327542-D	1
49	9L74	L.H.-use with M-19164-A Blue Green Headlining Cloth	8L 7327543-D	1
49	9L74	R.H.-use with M-19164-C Gray Headlining Cloth	8L 7327542-F	1
49	9L74	L.H.-use with M-19164-C Gray Headlining Cloth	8L 7327543-F	1
49	9L74	R.H.-use with M-19162-N Gray Bedford Headlining Cloth	8L 7327542-C	1
49	9L74	L.H.-use with M-19162-N Gray Bedford Headlining Cloth	8L 7327543-C	1
49	9L74	R.H.-use with M-19164-F Light Gray Headlining Cloth	8L 7327542-J	1
49	9L74	L.H.-use with M-19164-F Light Gray Headlining Cloth	8L 7327543-J	1
49	9L74	R.H.-use with M-19164-D Light Green Headlining Cloth	8L 7327542-G	1
49	9L74	L.H.-use with M-19164-D Light Green Headlining Cloth	8L 7327543-G	1
49	9L74	R.H.-use with M-19164-B Tan Headlining Cloth	8L 7327542-E	1
49	9L74	L.H.-use with M-19164-B Tan Headlining Cloth	8L 7327543-E	1
49	9L74	R.H.-use with M-19164-E Light Tan Headlining Cloth	8L 7327542-H	1
49	9L74	L.H.-use with M-19164-E Light Tan Headlining Cloth	8L 7327543-H	1
49	9L74	R.H.-use with M-19162-M Brown Taupe Headlining Cloth	8L 7327542-B	1
49	9L74	L.H.-use with M-19162-M Brown Taupe Headlining Cloth	8L 7327543-B	1

Lincoln and Lincoln Cosmopolitan

BODY PARTS CATALOGUE

YEAR 19__	BODY TYPES	REMARKS	PART NUMBER	NO. REQ'D
Group 27700-1 PANEL ASSEMBLY (QUARTER BODY)-COMPLETE				
49	9L72	used on jobs having 6-31/32 bulge on inner wheelhouse- includes outer w/house only	8L 7227700-A	1
49	9L72	used on jobs having 6-31/32 bulge on inner wheelhouse- includes outer w/house only	8L 7227701-A	1
49	9L72	R.H.-Hydraulic Control Only-used on jobs having 8-1/16 bulge on inner wheelhouse-includes outer w/house only	8L 7227700-B	1
49	9L72	L.H.-Hydraulic Control Only-used on jobs having 8-1/16 bulge on inner wheelhouse-includes outer w/house only	8L 7227701-B	1
49	9L72	R.H.-Manual Control-used on jobs having 8-1/16 bulge on inner wheelhouse-includes outer w/house only	8L 7227700-C	1
49	9L72	L.H.-Manual Control-used on jobs having 8-1/16 bulge on inner wheelhouse-includes outer w/house only	8L 7227701-C	1
49	9L74	R.H.-Has a cavity at curve in Hinge Pillar-Manual Control- includes outer w/house only	8L 7427700-A	1
49	9L74	L.H.-Has a cavity at curve in Hinge Pillar-Manual Control- includes outer w/house only	8L 7427701-A	1
49	9L74	R.H.-replaced by 8L-7427700-C	8L 7427700-B	1
49	9L74	L.H.-replaced by 8L-7427701-C	8L 7427701-B	1
49	9L74	R.H.-Hydraulic Control Only-includes outer w/house only	8L 7427700-C	1
49	9L74	L.H.-Hydraulic Control Only-includes outer w/house only	8L 7427701-C	1
49	9L74	R.H.-Manual Control Only-includes outer w/house only	8L 7427700-D	1
49	9L74	L.H.-Manual Control Only-includes outer w/house only	8L 7427701-D	1
49	9L76	R.H.-used on jobs having 8-1/16 bulge on inner wheelhouse	8L 7627700-B	1
49	9L76	L.H.-used on jobs having 8-1/16 bulge on inner wheelhouse	8L 7627701-B	1
49	9H76	R.H.-Quarter lock pillar brace has 1" hole on bottom side	8H 7627700-B	1
49	9H76	L.H.-Quarter lock pillar brace has 1" hole on bottom side	8H 7627701-B	1
49	9H76	R.H.-Quarter lock pillar brace has 1-1/4" hole on bottom side	8H 7627700-C	1
49	9H76	L.H.-Quarter lock pillar brace has 1-1/4" hole on bottom side	8H 7627701-C	1
49	9H76	Lockwasher-1/4"	34805-S2	16
49	9H76	Nut (hex)-1/4-20	33795-S7	16
49	9H76	Screw (flat hd. machining)-1/4-20 x 3/4	29665-S2	8
49	9L76	Screw and washer combination (flat head)-1/4"-28 x 1/2"	355307-S7	4

Group 27720-1 SHIELD ASSEMBLY (QUARTER PANEL WHEELHOUSE SPLASH)

49	9H	R.H.	8H 7327720	1
49	9H	L.H.	8H 7327721	1
49	9H	Bolt (carriage)-5/16"-24 x .63"	350477-S2	4
49	9H	Locknut (hex light thick)-5/16"-24	34443-S8	4
49	9H	Screw (hex washer head)-1/4"-20 x 1/2"	39881-S7	2
49	9H	Washer (flat)-5/16"	34706-S2	4

Group 27724 WEATHERSTRIP (QUARTER PANEL WHEELHOUSE SHIELD)-INNER

49	9H	11-13/16" long	7EH 7327724-A	2
----	----	----------------	---------------	---

Group 27725 WEATHERSTRIP (QUARTER PANEL WHEELHOUSE SHIELD)-OUTER

49	9H	21-5/16" long	7EH 7327725-A	2
----	----	---------------	---------------	---

Lincoln and Lincoln Cosmopolitan

BODY PARTS CATALOGUE

YEAR 19__	BODY TYPES	REMARKS	PART NUMBER	NO. REQ'D
Group 27760 PANEL ASSEMBLY (QUARTER BODY)-COMPLETE				
49	9H72	R.H.	8H 7227760-C	1
49	9H72	L.H.	8H 7227761-C	1
49	9H73	R.H.	8H 7327760-C	1
49	9H73	L.H.	8H 7327761-C	1
49	9H74	R.H.	8H 7427760-C	1
49	9H74	L.H.	8H 7427761-C	1
Group 27800 PANEL ASSEMBLY (REAR QUARTERS AND BACK BODY)-COMPLETE				
49	9L76		8L 7627800	1
49	9H76		8H 7627800	1
Group 27804-5 BRACKET (TRIM PANEL TO WHEELHOUSE)				
49	9L76	R.H.	8M 7627804	1
49	9L76	L.H.	8M 7627805	1
Group 27806-7 PLATE (QUARTER TRIM FINISH)				
49	9L76	R.H.-all trim	8M 7627806	1
49	9L76	L.H.-all trim	8M 7627807	1
49	9L76	Screw (Phillips-oval head)-No. 10 x 1/2"	350117-S13	2
Group 27828-9 BRACKET (QUARTER WHEELHOUSE BODY BOLT)-INNER				
49	9H	R.H.	8H 7327828	1
49	9H	L.H.	8H 7327829	1
Group 27834 PANEL ASSEMBLY (WHEELHOUSE)-INNER				
49	9H76	R.H.-front inside corners are square-use on cars with Standard Transmission	8H 7627834-A	1
49	9H76	L.H.-front inside corners are square-use on cars with Standard Transmission	8H 7627835-A	1
49	9H76	R.H.-front inside corners are round-use on cars with HYDRA-MATIC Transmission	8H 7627834-B	1
49	9H76	L.H.-front inside corners are round-use on cars with HYDRA-MATIC Transmission	8H 7627835-B	1
Group 27840-1 PANEL ASSEMBLY (BODY QUARTER)				
49	9L72	R.H.-one piece stamped at rear	8L 7227840-A	1
49	9L72	L.H.-one piece stamped at rear	8L 7227841-A	1
49	9L72	R.H.-two pieces welded at rear	8L 7227840-B	1
49	9L72	L.H.-two pieces welded at rear	8L 7227841-B	1
49	9L74	R.H.-without moulding clearance cut out	8L 7427840-A	1
49	9L74	L.H.-without moulding clearance cut out	8L 7427841-A	1
49	9L74	R.H.-with moulding clearance cut out	8L 7427840-B	1
49	9L74	L.H.-with moulding clearance cut out	8L 7427841-B	1
49	9L74	R.H.-two pieces welded at rear	8L 7427840-C	1
49	9L74	L.H.-two pieces welded at rear	8L 7427841-C	1
49	9L76	R.H.	8L 7627840	1
49	9L76	L.H.	8L 7627841	1
49	9H72	R.H.	7EH 7227840	1
49	9H72	L.H.	7EH 7227841	1
49	9H73	R.H.	7EH 7327840	1
49	9H73	L.H.	7EH 7327841	1
49	9H74	R.H.	7EH 7427840	1
49	9H74	L.H.	7EH 7427841	1
49	9H76	R.H.	8H 7627840	1
49	9H76	L.H.	8H 7627841	1
49	9L74-76	Nut-Retainer-5/16"	353202-S	8or10

Lincoln and Lincoln Cosmopolitan

BODY PARTS CATALOGUE

YEAR 19__	BODY TYPES	REMARKS	PART NUMBER	NO. REQ'D
Group 27856 ANTI SQUEAK (QUARTER PANEL INSIDE)-UPPER				
49	9H72		8H 7227856	2
Group 27857 ANTI SQUEAK (QUARTER PANEL INSIDE)-SIDE				
49	9H72		8H 7227857	2
Group 27870-1 PANEL ASSEMBLY (QUARTER WINDOW REGULATOR)				
49	9L76	R.H.	8M 7627870	1
49	9L76	L.H.	8M 7627871	1
49	9H76	R.H.	8H 7627870	1
49	9H76	L.H.	8H 7627871	1
Group 27876-7 PANEL (QUARTER WINDOW REGULATOR)				
49	9H72	R.H.	8H 7227876	1
49	9H72	L.H.	8H 7227877	1
49	9H73	R.H.	8H 7327876	1
49	9H73	L.H.	8H 7327877	1
49	9H74	R.H.	8H 7427876	1
49	9H74	L.H.	8H 7427877	1
Group 27882-3 PANEL ASSEMBLY (QUARTER WHEELHOUSE)-OUTER				
49	9H76	R.H.-replaced by 8H-7627700-B	8H 7627882-B	1
49	9H76	L.H.-replaced by 8H-7627701-B	8H 7627883-B	1
Group 27882 PANEL ASSEMBLY (QUARTER WHEELHOUSE)-INNER AND OUTER				
49	9L76	R.H.-replaced by 8L-7627700	8L 7627882-B	1
49	9L76	L.H.-replaced by 8L-7627701	8L 7627883-B	1
Group 27886-7 PANEL (REAR QUARTER WHEELHOUSE)-INNER				
49	9L	R.H.	8M 7327886-B	1
49	9L	L.H.	8M 7327887-B	1
49	9H	R.H.-replaced by 8H-7327760-B, 8H-7327760-B, 8H-7427760-B	8H 7327886-B	1
49	9H	L.H.-replaced by 8H-7227761-B, 8H-7327761-B, 8H-7427761-B	8H 7327887-B	1
Group 27888-9 SUPPORT (REAR QUARTER TRIM)				
49	9L72	R.H.	8L 7227888	1
49	9L72	L.H.	8L 7227889	1
Group 27894-5 PANEL (REAR QUARTER WHEELHOUSE)-OUTER				
49	9H	R.H.	7EH 7327894	1
49	9H	L.H.	7EH 7327895	1
49	9H	R.H.-replaced by 8H-7227760-B, 8H-7327760-B, 8H-7427760-B	8H 7327894	1
49	9H	L.H.-replaced by 8H-7227761-B, 8H-7327761-B, 8H-7427761-B	8H 7327895	1
Group 27932 SEAL (OUTER WHEELHOUSE TO QUARTER PANEL)				
49	9H	Sponge Rubber-6" long-1" wide-3/16" thick	8H 7327932	2
Group 27936 HOUSING ASSEMBLY (QUARTER PANEL TO FLOOR PAN FILLER NECK)				
49	9L		8M 7027936	1
49	9L	Screw (binding head self tapping)-No. 10 x 1/2"	32924-82	8

Lincoln and Lincoln Cosmopolitan

BODY PARTS CATALOGUE

YEAR 19__	BODY TYPES	REMARKS	PART NUMBER	NO. REQ'D
Group 27958-9 SUPPORT (QUARTER WINDOW REGULATOR)				
49	9H72	R.H.	7EH 7227958	1
49	9H72	L.H.	7EH 7227959	1
49	9H76	replaced by 8H-7627958-B	8H 7627958-A	2
49	9H76	1-39/64" x 9/64" slot	8H 7627958-B	2
49	9H72	Washer (flat)-1/4"	34705-S2	4
Group 27968-9 COVER ASSEMBLY (QUARTER PANEL WHEEL OPENING)				
49	9L	R.H.	8L 7327968	1
49	9L	L.H.	8L 7327969	1
49	9H	R.H.	8H 7327968	1
49	9H	L.H.	8H 7327969	1
49	9L,9H	Lockwasher-No. 10	34803-S7	4
49	9L,9H	Nut (hex)-No. 10 x 32	34079-S7	4
49	9L,9H	Washer (flat)-No. 10	34703-S7	4
Group 27986 SEAL (QUARTER PANEL WHEEL OPENING COVER)				
49	9L,9H	Rubber-55-9/64" long	8H 7327986	2
Group 27996-7 RETAINER (QUARTER PANEL WHEEL COVER SEAL)				
49	9L	R.H.	8L 7327996	1
49	9L	L.H.	8L 7327997	1
49	9H	R.H.	8H 7327996	1
49	9H	L.H.	8H 7327997	1
Group 28000-1 BRACKET (QUARTER PANEL WHEEL COVER GUIDE)-FRONT				
49	9L	R.H.	8L 7328000	1
49	9L	L.H.	8L 7328001	1
49	9H	R.H.	8H 7328000	1
49	9H	L.H.	8H 7328001	1
49	9L	Bolt (round head carriage)-No. 10-32 x 5/8"	23374-S8	2
49	9L	Rivet-3/16" x 5/8"	61855-S8	2
49	9H except 76	Bolt (round head carriage)-No. 10-32 x 3/4"	23375-S7	2
Group 28002-3 BRACKET (QUARTER PANEL WHEEL COVER GUIDE)-REAR				
49	9L	R.H.	8L 7328002	1
49	9L	L.H.	8L 7328003	1
49	9H	R.H.	8H 7328002	1
49	9H	L.H.	8H 7328003	1
49	9L	Bolt (round head carriage)-No. 10-32 x 5/8"	23374-S8	2
49	9H except 76	Bolt (round head carriage)-No. 10-32 x 3/4"	23375-S7	2
49	9L	Rivet-3/16" diameter x 5/8" long	61855-S8	2
Group 28006 CLIP (QUARTER PANEL WHEEL COVER REINFORCEMENT)				
49	9L	4" long	8L 7328006	2

Lincoln and Lincoln Cosmopolitan

BODY PARTS CATALOGUE

YEAR 19	BODY TYPES	REMARKS	PART NUMBER	NO. REQ'D
Group 28104-5 PILLAR ASSEMBLY (QUARTER HINGE)				
49	9L74	L.H.-Manual Control	8M 7428105-B	1
49	9L74	R.H.-Manual Control	8M 7428104-B	1
49	9L74	R.H.-Hydraulic Control	8L 7428104	1
49	9L74	L.H.-Hydraulic Control	8L 7428105	1
49	9H73	R.H.	8H 7328104	1
49	9H73	L.H.	8H 7328105	1
49	9H74	R.H.	8H 7428104	1
49	9H74	L.H.	8H 7428105	1
49	9L74	Nut (retainer)-5/16"	353202-S	1
Group 28142 STRAINER ASSEMBLY (QUARTER HINGE PILLAR UPPER REINFORCEMENT TO PACKAGE TRAY)				
49	9L74	R.H.	8L 7428142	1
49	9L74	L.H.	8L 7428143	1
Group 28160-1 PILLAR ASSEMBLY (QUARTER LOCK)				
49	9L72	R.H.	8M 7028160	1
49	9L72	L.H.	8M 7028161	2
49	9L76	R.H.	7A 7628160	1
49	9L76	L.H.	7A 7628161	1
49	9H72	R.H.	8H 7228160-B	1
49	9H72	L.H.	8H 7228161-B	1
49	9H76	R.H.	8H 7628160	1
49	9H76	L.H.	8H 7628161	1
49	9L72	Nut (retainer)-5/16"	353202-S	6
Group 28216-7 REINFORCEMENT (QUARTER LOCK PILLAR)-LOWER				
49	9H72	R.H.	7EH 7228216	1
49	9H72	L.H.	7EH 7228217	1
Group 28248-9 STRIP (QUARTER HINGE PILLAR UPPER FINISH)				
49	9H73	R.H.-Lincoln Texture Blue Metallic Finish	8H 7328248-CAC	1
49	9H73	L.H.-Lincoln Texture Blue Metallic Finish	8H 7328249-CAC	1
49	9H73	R.H.-Mercury Texture Blue Metallic Finish	8H 7328248-CAD	1
49	9H73	L.H.-Mercury Texture Blue Metallic Finish	8H 7328249-CAD	1
49	9H73	R.H.-Gold Fleck Dark Gray Metallic Finish	8H 7328248-C	1
49	9H73	L.H.-Gold Fleck Dark Gray Metallic Finish	8H 7328249-C	1
49	9H73	R.H.-Lincoln Texture Green Metallic Finish	8H 7328248-CAB	1
49	9H73	L.H.-Lincoln Texture Green Metallic Finish	8H 7328249-CAB	1
49	9H73	R.H.-Lincoln Texture Tan Metallic Finish	8H 7328248-CAA	1
49	9H73	L.H.-Lincoln Texture Tan Metallic Finish	8H 7328249-CAA	1
49	9H73	R.H.-Chrome Finish	8H 7328248-E	1
49	9H73	L.H.-Chrome Finish	8H 7328249-E	1
49	9H73	R.H.-in Prime	8H 7328248-CP	1
49	9H73	L.H.-in Prime	8H 7328249-CP	1
49	9H74	R.H.-Gold Fleck Dark Gray Metallic Finish	8H 7428248-C	1
49	9H74	L.H.-Gold Fleck Dark Gray Metallic Finish	8H 7428249-C	1
49	9H73-74	Screw (Phillips oval head)-No. 6 x 1/2"	355034-S13	as req'd
Group 28266-7 RETAINER (TOP CLOTH)-ON QUARTER PILLAR				
49	9H76	R.H.-approximately 11-3/4" long	8H 7628266	1
49	9H76	L.H.-approximately 11-3/4" long	8H 7628267	1

Lincoln and Lincoln Cosmopolitan

BODY PARTS CATALOGUE

YEAR 19	BODY TYPES	REMARKS	PART NUMBER	NO. REQ'D
Group 28274 WEATHERSTRIP (QUARTER HINGE PILLAR DOOR OPENING)-UPPER				
49	9H73-74		7EH 7328274	2
Group 28276-7 RETAINER (QUARTER LOCK PILLAR TRIM)				
49	9L76		8M 7628276	2
Group 28278-9 RETAINER (QUARTER PILLAR WINDOW SEAL)				
49	9H76	R.H.	8H 7628278	1
49	9H76	L.H.	8H 7628279	1
49	9H76	Screw (binding head self tapping)-No. 8 x 1/4"	33169-S7	8
Group 28508 RETAINER (QUARTER WHEELHOUSE)-TRIM				
49	9L except 76	5/8" x 15/16" x 2" long	7A 7328508	2
Group 28610 LID ASSEMBLY (QUARTER PANEL GAS TANK OPENING)				
49	9H except 73	replaced by 7EH-7228611	7EH 7228610	1
49	9H73	replaced by 7EH-7328611	7EH 7328610	1
49	9H except 73	Lockwasher-No. 8	34802-S7	2
49	9H	Nut (hex)-No. 8-32	34052-S2	2
49	9H	Screw (hex head machine)-No. 8-32 x 7/16"	26472-S2	2
49	9H	Washer (flat)-No. 8	34702-S8	2or4
Group 28611 LID ASSEMBLY (QUARTER PANEL FUEL TANK FILLER)				
49	9L		8M 7028611	1
49	9H except 73		7EH 7228611	1
49	9H73		7EH 7328611	1
49	9L,9H	Spring	06H 16377	1
49	9L	Lockwasher-No. 10	34803-S7	2
49	9L	Nut (hex)-No. 8-32	34052-S7	2
49	9L	Screw and washer assy (binding head)-No. 8-32 x 3/8"	43373-S7	2
Group 28615 SEALER (QUARTER PANEL FUEL TANK FILLER NECK)				
49	9L	Rubber	8M 7028615	1
Group 28617 HOUSING (QUARTER PANEL FUEL TANK FILLER NECK)				
49	9L		8M 7028617	1
49	9L	Screw (binding head self tapping)-No. 6 x 3/8"	356793-S8	8
Group 28726-7 SUPPORT ASSEMBLY (QUARTER BELT RAIL AND TOP JOINT LOWER BRACKET)				
49	9H76	R.H.	8H 7628726	1
49	9H76	L.H.	8H 7628727	1
Group 28730-1 RETAINER (REAR QUARTER BELT FOLDING TOP)				
49	9L76	R.H.-19-3/8" long	8M 7628730	1
49	9L76	L.H.-19-3/8" long	8M 7628731	1
49	9H76	R.H.-25-5/8" long	8H 7628730	1
49	9H76	L.H.-25-5/8" long	8H 7628731	1
49	9L76	Nut (slotted truss head)-No. 6-40	351644-S13	4
49	9L76	Screw (special truss head)-No. 6-40 x .4"	351643-S13	4
49	9L76	Screw (binding head self tapping)-No. 8 x 3/8"	32916-S8	12

Lincoln and Lincoln Cosmopolitan

BODY PARTS CATALOGUE

YEAR 19__	BODY TYPES	REMARKS	PART NUMBER	NO. REQ'D
Group 29000-1 STRIP AND WEATHERSTRIP (QUARTER WINDOW FINISH)				
49	9H72	R.H.-Lincoln Texture Blue Metallic Finish	8H 7229000-BAC	1
49	9H72	L.H.-Lincoln Texture Blue Metallic Finish	8H 7229001-BAC	1
49	9H72	R.H.-Gold Fleck Dark Gray Metallic	8H 7229000-BB	1
49	9H72	L.H.-Gold Fleck Dark Gray Metallic	8H 7229001-BB	1
49	9H72	R.H.-Lincoln Texture Green Metallic Finish	8H 7229000-BAB	1
49	9H72	L.H.-Lincoln Texture Green Metallic Finish	8H 7229001-BAB	1
49	9H72	R.H.-Lincoln Texture Tan Metallic Finish	8H 7229000-BAA	1
49	9H72	L.H.-Lincoln Texture Tan Metallic Finish	8H 7229001-BAA	1
49	9H72	R.H.-in Prime-use with Rustless Steel moulding	8H 7229000-BP	1
49	9H72	L.H.-in Prime-use with Rustless Steel moulding	8H 7229001-BP	1
49	9H72	R.H.-in Prime-use with Chrome moulding	8H 7229000-CP	1
49	9H72	L.H.-in Prime-use with Chrome moulding	8H 7229001-CP	1
49	9H72	Screw (Phillips head sheet metal)-No. 8 x 5/8"	350066-S13	6

Group 29000-1 STRIP ASSEMBLY (QUARTER WINDOW FINISH)

49	9H73	R.H.-Gold Fleck Dark Gray Metallic Finish	7EH 7329000	1
49	9H73	L.H.-Gold Fleck Dark Gray Metallic Finish	7EH 7329001	1
49	9H73	R.H.-in Prime-use with Chrome moulding	8H 7329000-BP	1
49	9H73	L.H.-in Prime-use with Chrome moulding	8H 7329001-BP	1
49	9H73	R.H.-in Prime-use with Rustless Steel moulding	8H 7329000-AP	1
49	9H73	L.H.-in Prime-use with Rustless Steel moulding	8H 7329001-AP	1
49	9H74	R.H.-Gold Fleck Dark Gray Metallic Finish	7EH 7429000	1
49	9H74	L.H.-Gold Fleck Dark Gray Metallic Finish	7EH 7429001	1
49	9H74	R.H.-in Prime-use with Chrome moulding	8H 7429000-BP	1
49	9H74	L.H.-in Prime-use with Chrome moulding	8H 7429001-BP	1
49	9H74	R.H.-in Prime-use with Rustless Steel moulding	8H 7429000-AP	1
49	9H74	L.H.-in Prime-use with Rustless Steel moulding	8H 7429001-AP	1
49	9H76	R.H.-in Prime-use with Chrome moulding	8H 7629000-CP	1
49	9H76	L.H.-in Prime-use with Chrome moulding	8H 7629001-CP	1
49	9H76	R.H.-in Prime-use with Rustless Steel moulding	8H 7629000-BP	1
49	9H76	L.H.-in Prime-use with Rustless Steel moulding	8H 7629001-BP	1
49	9E73-74	Screw (Phillips head sheet metal)-No. 8 x 5/8"	350066-S13	6
49	9H76	Screw (Phillips head sheet metal)-No. 8 x 5/8"	350066-S13	10

Group 29002-3 STRIP ASSEMBLY (QUARTER WINDOW FINISH)

49	9L72	R.H.-Mercury Texture Blue Metallic Finish	8L 7229002-C	1
49	9L72	L.H.-Mercury Texture Blue Metallic Finish	8L 7229003-C	1
49	9L72	R.H.-Gold Fleck Dark Gray Metallic Finish	8L 7229002-A	1
49	9L72	L.H.-Gold Fleck Dark Gray Metallic Finish	8L 7229003-A	1
49	9L72	R.H.-Lincoln Texture Green Metallic Finish	8L 7229002-B	1
49	9L72	L.H.-Lincoln Texture Green Metallic Finish	8L 7229003-B	1
49	9L72	R.H.-Lincoln Texture Tan Metallic Finish	8L 7229002-D	1
49	9L72	L.H.-Lincoln Texture Tan Metallic Finish	8L 7229003-D	1
49	9L72	R.H.-in Prime	8L 7229002-BP	1
49	9L72	L.H.-in Prime	8L 7229003-BP	1

Lincoln and Lincoln Cosmopolitan

BODY PARTS CATALOGUE

YEAR 19__	BODY TYPES	REMARKS	PART NUMBER	NO. REQ'D
Group 29002-3 FRAME ASSEMBLY (QUARTER WINDOW)-OUTER				
49	9H73	R.H.	8H 7329002	1
49	9H73	L.H.	8H 7329003	1
49	9H74	R.H.	8H 7429002	1
49	9H74	L.H.	8H 7429003	1
49	9H74	Rivet (oval head tubular)-9/64" x 3/16"	63528-S8	22
Group 29006-7 STRIP (QUARTER WINDOW FINISH)-UPPER				
49	9H72	R.H.-Lincoln Texture Blue Metallic Finish	8H 7229006-AAC	1
49	9H72	L.H.-Lincoln Texture Blue Metallic Finish	8H 7229007-AAC	1
49	9H72	R.H.-Chrome Finish	8H 7229006-D	1
49	9H72	L.H.-Chrome Finish	8H 7229007-D	1
49	9H72	R.H.-Gold Fleck Dark Gray Metallic Finish	8H 7229006-C	1
49	9H72	L.H.-Gold Fleck Dark Gray Metallic Finish	8H 7229007-C	1
49	9H72	R.H.-Lincoln Texture Green Metallic Finish	8H 7229006-AAB	1
49	9H72	L.H.-Lincoln Texture Green Metallic Finish	8H 7229007-AAB	1
49	9H72	R.H.-Lincoln Texture Tan Metallic Finish	8H 7229006-AAA	1
49	9H72	L.H.-Lincoln Texture Tan Metallic Finish	8H 7229007-AAA	1
49	9H72	R.H.-in Prime	8H 7229006-AP	1
49	9H72	L.H.-in Prime	8H 7229007-AP	1
49	9H73	R.H.-Gold Fleck Dark Gray Metallic Finish	8H 7329006-C	1
49	9H73	L.H.-Gold Fleck Dark Gray Metallic Finish	8H 7329007-C	1
49	9H73	R.H.-Chrome Finish	8H 7329006-D	1
49	9H73	L.H.-Chrome Finish	8H 7329007-D	1
49	9H73	R.H.-in Prime	8H 7329006-AP	1
49	9H73	L.H.-in Prime	8H 7329007-AP	1
49	9H74	R.H.-Gold Fleck Dark Gray Metallic Finish	8H 7429006-C	1
49	9H74	L.H.-Gold Fleck Dark Gray Metallic Finish	8H 7429007-C	1
49	9H74	R.H.-Chrome Finish	8H 7429006-D	1
49	9H74	L.H.-Chrome Finish	8H 7429007-D	1
49	9H74	R.H.-in Prime	8H 7429006-AP	1
49	9H74	L.H.-in Prime	8H 7429007-AP	1
49	9H73-74	Screw (Phillips oval head)-No. 6 x 1/2"	52352-S13	as req'd
Group 29008-9 STRIP (QUARTER WINDOW FINISH)-FRONT				
49	9H72	R.H.-Gold Fleck Dark Gray Metallic Finish-repl. by 8H-7429008-AP	8H 7229008-C	1
49	9H72	L.H.-Gold Fleck Dark Gray Metallic Finish-repl. by 8H-7429009-AP	8H 7229009-C	1
49	9H72-74	R.H.-Gold Fleck Dark Gray Metallic Finish-replaced by 8H-7429008-AP	8H 7429008-C	1
49	9H72-74	L.H.-Gold Fleck Dark Gray Metallic Finish	8H 7429009-C	1
49	9H72-74	R.H.-Chrome Finish	8H 7429008-D	1
49	9H72-74	L.H.-Chrome Finish	8H 7429009-D	1
49	9H72-74	R.H.-in Prime	8H 7429008-AP	1
49	9H72-74	L.H.-in Prime	8H 7429009-AP	1
49	9H73	R.H.-Gold Fleck Dark Gray Metallic Finish	8H 7329008-C	1
49	9H73	L.H.-Gold Fleck Dark Gray Metallic Finish	8H 7329009-C	1
49	9H73	R.H.-Chrome Finish	8H 7329008-D	1
49	9H73	L.H.-Chrome Finish	8H 7329009-D	1
49	9H73	R.H.-in Prime	8H 7329008-AP	1
49	9H73	L.H.-in Prime	8H 7329009-AP	1
49	9H73-74	Screw (Phillips oval head)-No. 6 x 1/2"	52352-S13	as req'd

Lincoln and Lincoln Cosmopolitan

BODY PARTS CATALOGUE

YEAR 19	BODY TYPES	REMARKS	PART NUMBER	NO. REQ'D
Group 29010 STRIP (QUARTER FINISH)-INSIDE				
49	9L74	14" long-Rustless Steel	8L 7429010-A	2
49	9L74	14" long-Chrome Finish	8L 7429010-B	2
49	9L74	Retainer (moulding)	353123-S3	4
Group 29022-3 MOULDING AND WEATHERSTRIP (QUARTER BELT)-OUTSIDE				
49	9H72	R.H.-replaced by one each 8H-7229908, 7EH-7229034	8H 7229022	1
49	9H72	L.H.-replaced by one each 8H-7229908, 7EH-7229035	8H 7229023	1
49	9H72	Screw (binding head self tapping)-No. 6 x 3/8"	33434-S	14
49	9H72	Screw (flat head self tapping)-No. 4 x 3/8"	33302-S	2
Group 29022-3 MOULDING AND WEATHERSTRIP ASSEMBLY (QUARTER WINDOW BELT)-OUTSIDE				
49	9H76	R.H.-repl. by one each 8H-7629908, 8H-7629034	8H 7629022	1
49	9H76	L.H.-repl. by one each 8H-7629909, 8H 7629035	8H 7629023	1
49	9H76	L.H.	8H 7629023	1
49	9H76	Screw (binding head self tapping)-No. 6 x 3/8"	32914-S2	14
49	9H76	Screw (flat head self tapping)-No. 4 x 3/8"	33302-S	2
Group 29032-3 MOULDING AND STUD ASSEMBLY (QUARTER SIDE PANEL)-OUTSIDE				
49	9L72-76	R.H.	8L 7229032	1
49	9L72-76	L.H.	8L 7229033	1
49	9L74	R.H.-moulding 63-19/32" long	8L 7329032-A	1
49	9L74	L.H.-moulding 63-19/32" long	8L 7329033-A	1
49	9L74	R.H.-moulding 44-7/32" long	8L 7329032-B	1
49	9L74	L.H.-moulding 44-7/32" long	8L 7329033-B	1
49	9L	Stud-No. 10-24 x 1"	352775-S34	12or18
49	9L	Washer (cup)	351600-S8	6
Group 29034-5 MOULDING (QUARTER BELT)-OUTSIDE				
49	9H72	R.H.-front	7EH 7229034	1
49	9H72	L.H.-front	7EH 7229035	1
49	9H74	R.H.-front	7EH 7429034	1
49	9H74	L.H.-front	7EH 7429035	1
49	9H76	R.H.	8H 7629034	1
49	9H76	L.H.	8H 7629035	1
49	9H74	Screw (binding head self tapping)-No. 6 x 3/8"	32914-S2	6
49	9H72	Screw (Phillips binding head)-No. 6 x 3/8"	356793-S8	2
Group 29034-5 MOULDING (QUARTER PANEL AT BELT)-OUTSIDE				
49	9L72	R.H.-approximately 55-29/32" long	8M 7229034	1
49	9L72	L.H.-approximately 55-29/32" long	8M 7229035	1
49	9L74	R.H.-approximately 35-63/64" long-square ends	8M 7429034-A	1
49	9L74	L.H.-approximately 35-63/64" long-square ends	8M 7429035-A	1
49	9L74	R.H.-approximately 35-63/64" long-30° angle at ends	8M 7429034-B	1
49	9L74	L.H.-approximately 35-63/64" long-30° angle at ends	8M 7429035-B	1
49	9L76	R.H.-approximately 55-7/8" long	8M 7629034	1
49	9L76	L.H.-approximately 55-7/8" long	8M 7629035	1
49	9L	Retainer (moulding)	358168-S3	12or18
49	9L	Retainer assy (moulding)	353243-S8	2
49	9L	Retainer assy (moulding)-rear hole	353276-S8	2
49	9H73-74	Screw (binding head self tapping)-No. 6 x 3/8"	33434-S	6

Lincoln and Lincoln Cosmopolitan

BODY PARTS CATALOGUE

YEAR 19	BODY TYPES	REMARKS	PART NUMBER	NO. REQ'D
Group 29050-1 RETAINER (WINDOW SEAL AT PILLAR SECTION)				
49	9L76	R.H.-replaced by 8M-7629122	8M 7629050-A	1
49	9L76	L.H.-replaced by 8M-7629123	8M 7629051-A	1
49	9L76	Screw (binding head self tapping)-No. 8 x 3/8"	32916-S8	8
Group 29070 WEATHERSTRIP (QUARTER WINDOW GLASS BOTTOM)				
49	9H76		8H 7629070-A	2
Group 29070-1 MOULDING AND CLIP ASSEMBLY (QUARTER WINDOW REVEAL OUTER)-FRONT				
49	9L72	R.H.-replaced by 8M-7229082	7A 7229070	1
49	9L72	L.H.-replaced by 8M-7229083	7A 7229071	1
Group 29072-3 MOULDING AND CLIP ASSEMBLY (QUARTER WINDOW REVEAL OUTER)-REAR				
49	9L72	R.H.-replaced by 8M-7229082	7A 7229072	1
49	9L72	L.H.-replaced by 8M-7229083	7A 7229073	1
49	9L72	Clip (moulding)	353267-S32	as req'd
Group 29078-9 PLATE (QUARTER LOCK PILLAR CAP FINISH)-FRONT				
49	9H76	R.H.	8H 7629078	1
49	9H76	L.H.	8H 7629079	1
Group 29082-3 MOULDING (QUARTER WINDOW REVEAL OUTER)				
49	9L72	R.H.	8M 7229082	1
49	9L72	L.H.	8M 7229083	1
Group 29084 MOULDING ASSEMBLY (QUARTER WINDOW FINISH)				
49	9H72	Rustless Steel	8H 7229084-A	2
49	9H72	Chrome Finish	8H 7229084-B	2
49	9H73	Rustless Steel	7EH 7329084	2
49	9H73	Chrome Finish	8H 7329084	2
49	9H74	Rustless Steel	7EH 7429084	2
49	9H74	Chrome Finish	8H 7429084	2
49	9H76	Rustless Steel	8H 7629084-A	2
49	9H76	Chrome Finish	8H 7629084-B	2
Group 29088-9 PLATE (QUARTER WINDOW FINISH)-REAR				
49	9H76	R.H.	8H 7629088	1
49	9H76	L.H.	8H 7629089	1
49	9H76	Screw (binding head self tapping)-No. 6 x 3/8"	40513-S7	3
Group 29090 MOULDING ASSEMBLY (QUARTER TRIM PANEL)-LOWER				
49	9L72	Rustless Steel	8L 7229090-A	2
49	9L72	Chrome Finish	8L 7229090-B	2
49	9H72	13" long-flat back	7EH 7229090	2
49	9H72	13" long-curved back	8H 7229090	2
Group 29104 MOULDING (QUARTER WINDOW FINISH STRIP)-LOWER				
49	9L72	Rustless Steel	8L 7229104-A	2
49	9L72	Chrome Finish	8L 7229104-B	2

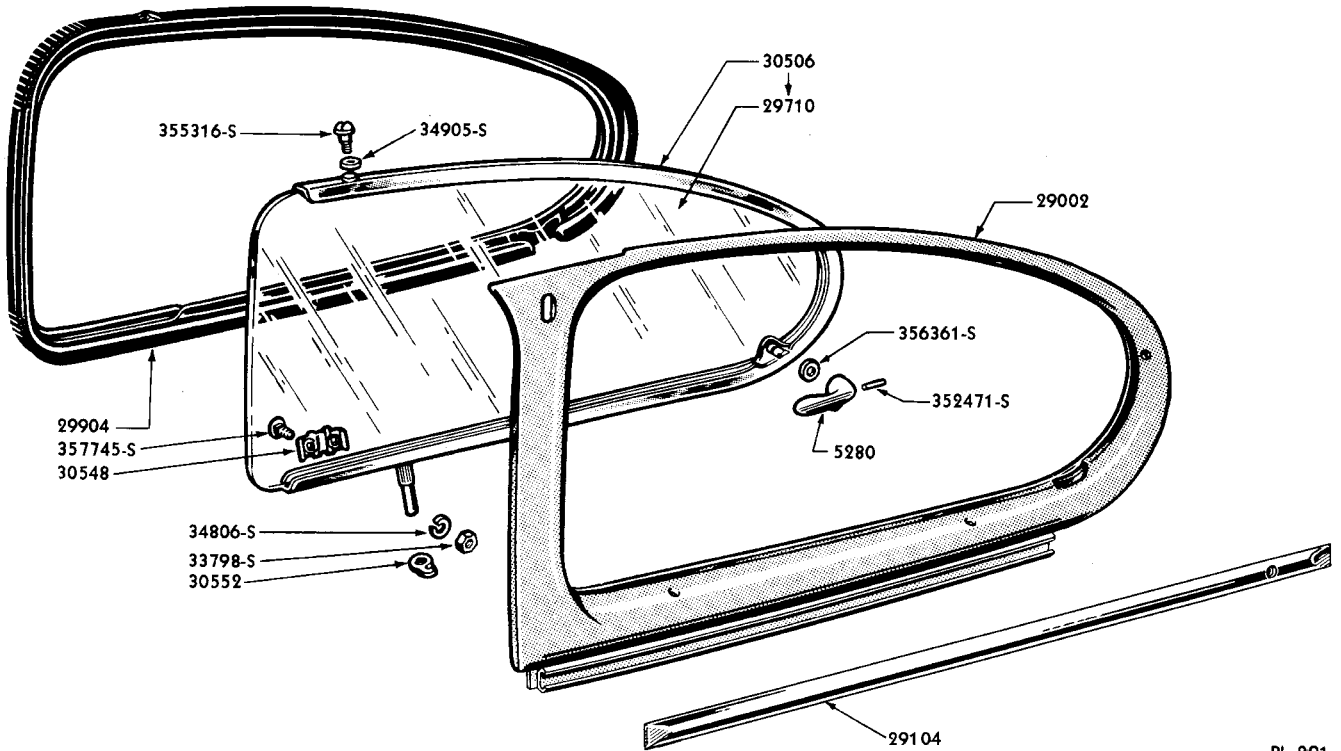
Lincoln and Lincoln Cosmopolitan

BODY PARTS CATALOGUE

YEAR 19__	BODY TYPES	REMARKS	PART NUMBER	NO. REQ'D
Group 29116-7 MOULDING ASSEMBLY (QUARTER BELT)-OUTSIDE				
49	9H73	R.H.	8H 7329116	1
49	9H73	L.H.	8H 7329117	1
49	9H73	Lockwasher-No. 10	34803-S7	8
49	9H73	Nut (hex)-No. 10-32	34079-S7	8
49	9H73	Retainer assy-No. 10-32	353348-S8	8
49	9H73	Screw (flat head)-No. 10-32 x 3/8"	350150-S7	8
Group 29118-9 RETAINER (WINDOW SEAL AT PILLAR SECTION)-LOWER				
49	9L76	R.H.-6-3/8" long	8M 7629118	1
49	9L76	L.H.-6-3/8" long	8M 7629119	1
Group 29122-3 RETAINER (WINDOW SEAL AT PILLAR SECTION)-UPPER				
49	9L76	R.H.-curved-approximately 14-1/8" long	8M 7629122	1
49	9L76	L.H.-curved-approximately 14-1/8" long	8M 7629123	1
Group 29214-5 WEATHERSTRIP (QUARTER WINDOW FRAME)				
49	9H72	R.H.	8H 7229214	1
49	9H72	L.H.	8H 7229215	1
49	9H73	R.H.	8H 7329214	1
49	9H73	L.H.	8H 7329215	1
49	9H74	R.H.	8H 7429214	1
49	9H74	L.H.	8H 7429215	1
Group 29388-9 BRACE (QUARTER LOCK PILLAR TO FLOOR)				
49	9H76	R.H.-1" hole on bottom side	8H 7629388-A	1
49	9H76	L.H.-1" hole on bottom side	8H 7629389-A	1
49	9H76	R.H.-1-1/4"-hole on bottom side	8H 7629388-B	1
49	9H76	L.H.-1-1/4" hole on bottom side	8H 7629389-B	1
49	9H76	Plug (rubber)	357384-S	2
49	9H76	Screw (flat head)-1/4"-20 x 1-1/2"-brace to pillar	24729-S	6
Group 29428-9 GUSSET (QUARTER PANEL TO PACKAGE TRAY)				
49	9L except 76	R.H.	7A 7229428	1
49	9L except 76	L.H.	7A 7229429	1

Lincoln and Lincoln Cosmopolitan

BODY PARTS CATALOGUE



PL-291

QUARTER WINDOW AND FINISH STRIP ASSEMBLY (8L-7229700-BP)

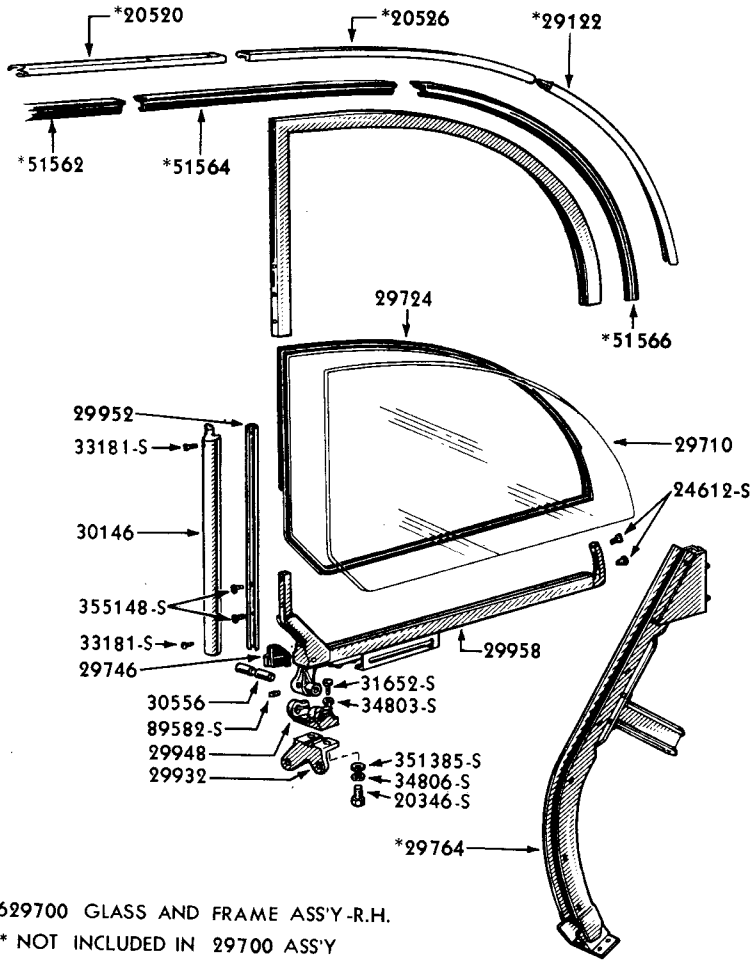
Group numbers only shown on illustration. Order by Part Numbers shown in list of parts.

YEAR 19__	BODY TYPES	REMARKS	PART NUMBER	NO. REQ'D
Group 29700-1 WINDOW AND FINISH STRIP ASSEMBLY (QUARTER)-COMPLETE				
49	9L72	R.H.-Mercury Texture Blue Metallic	8L 7229700-C	1
49	9L72	L.H.-Mercury Texture Blue Metallic	8L 7229701-C	1
49	9L72	R.H.-Gold Fleck Dark Gray Gold Metallic Finish	8L 7229700-A	1
49	9L72	L.H.-Gold Fleck Dark Gray Gold Metallic Finish	8L 7229701-A	1
49	9L72	R.H.-Lincoln Texture Green Metallic	8L 7229700-B	1
49	9L72	L.H.-Lincoln Texture Green Metallic	8L 7229701-B	1
49	9L72	R.H.-Lincoln Texture Tan Metallic	8L 7229700-D	1
49	9L72	L.H.-Lincoln Texture Tan Metallic	8L 7229701-D	1
49	9L72	R.H.-in Prime	8L 7229700-BP	1
49	9L72	L.H.-in Prime	8L 7229701-BP	1
49	9L72	Lockwasher-5/16"	34806-S2	4
49	9L72	Screw (Phillips head)-No. 8 x 1 1/4"	352189-S13	2

Group 29700-1 GLASS AND FRAME ASSEMBLY (QUARTER VENT WINDOW)				
49	9H72	R.H.	8H 7229700	1
49	9H72	L.H.	8H 7229701	1

Lincoln and Lincoln Cosmopolitan

BODY PARTS CATALOGUE



8M-7629700 GLASS AND FRAME ASS'Y-R.H.
 * NOT INCLUDED IN 29700 ASSY

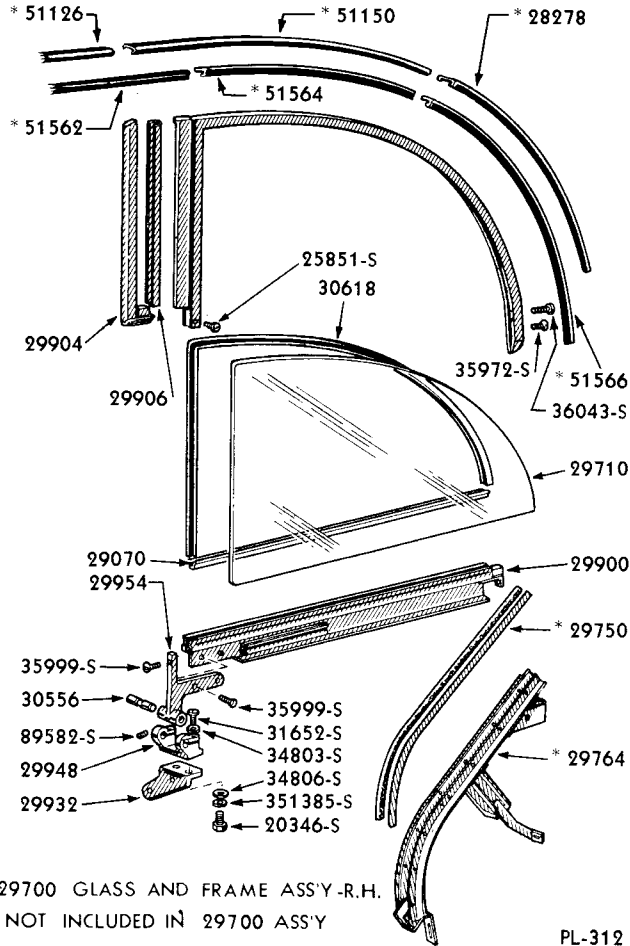
PM-281

Group numbers only shown on illustration. Order by Part Numbers shown in list of parts.

YEAR 19	BODY TYPES	REMARKS	PART NUMBER	NO. REQ'D
Group 29700-1 FRAME AND GLASS ASSEMBLY (QUARTER WINDOW)				
49	9L76	R.H.-includes hinge and bracket	8M 7629700	1
49	9L76	L.H.-includes hinge and bracket	8M 7629701	1
49	9H72	R.H.	8H 7229700	1
49	9H72	L.H.	8H 7229701	1
49	9H73	R.H.	8H 7329700	1
49	9H73	L.H.	8H 7329701	1
49	9H74	R.H.	8H 7429700	1
49	9H74	L.H.	8H 7429701	1
49	9H76	R.H.	8H 7629700	1
49	9H76	L.H.	8H 7629701	1
49	9L76	Screw (headless set cup point)-1/4"-28 x 5/16"	89582-S	2

Lincoln and Lincoln Cosmopolitan

BODY PARTS CATALOGUE



Group numbers only shown on illustration. Order by Part Numbers shown in list of parts.

YEAR 19__	BODY TYPES	REMARKS	PART NUMBER	NO. REQ'D
Group 29710 GLASS ASSEMBLY (REAR QUARTER WINDOW)				
49	9L72		8M 7229710-A	2
49	9L76		8M 7629710-A	2
49	9H72		7EH 7229710	2
49	9H73		8H 7329710	2
49	9H74		8H 7429710	2
49	9H76		8H 7629710	2
Group 29712 GLASS ASSEMBLY (QUARTER VENT WINDOW)				
49	9H72	LHD	8H 7229712	2
Group 29724 STRIP (QUARTER WINDOW GLASS RETAINING)				
49	9L72	secure locally-48-1/2" long-.070" thick-1-1/2" wide-Rubber tape	7A 7229724-A	2
49	9L72	secure locally-48-1/2" long-.085" thick-1-1/2" wide-Rubber tape	7A 7229724-B	2
49	9L76		7A 7629724-A	2
49	9H72	use M-17779-A for service 16-9/32" long	7EH 7229724-H	2
49	9H73	secure locally-44" long-.060" thick-1-3/8" wide-Rubber tape	8H 7329724-E	2
49	9H73	secure locally-44" long-.070" thick-1-3/8" wide-Rubber tape	8H 7329724-F	2
49	9H74	secure locally-34" long-.060" thick-1-3/8" wide-Rubber tape	8H 7429724-E	2
49	9H74	secure locally-24" long-.070" thick-1-3/8" wide-Rubber tape	8H 7429724-F	2

Lincoln and Lincoln Cosmopolitan

BODY PARTS CATALOGUE

YEAR 19__	BODY TYPES	REMARKS	PART NUMBER	NO. REQ'D
Group 29746 WEATHERSTRIP (QUARTER WINDOW FRONT LOWER CORNER)				
49	9L76		7A 7629746-A	2
Group 29750-1 WEATHERSTRIP (QUARTER WINDOW GUIDE)				
49	9L76,9H76	R.H.	7A 7629750-A	2
49	9L76,9H76	L.H.	7A 7629751-A	2
Group 29762 WEATHERSTRIP (QUARTER WINDOW GLASS RETAINER)				
49	9H72	16-9/32" long-use 7EH-7221510 for service	7EH 7229762	2
Group 29764-5 GUIDE ASSEMBLY (QUARTER WINDOW)-COMPLETE				
49	9L76	R.H.	7A 7629764	1
49	9L76	L.H.	7A 7629765	1
49	9H76	R.H.	8H 7629764	1
49	9H76	L.H.	8H 7629765	1
Group 29785 PLATE (QUARTER WINDOW MOUNTING)				
49	9H76	2-7/8" long, 1" wide, knurled on one side	8H 7629785	2
49	9H76	Screw and lockwasher assembly (hex head)-5/16"-18 x 3/4"	42789-S13	4
Group 29798 BRACKET (QUARTER WINDOW GUIDE)-LOWER				
49	9H76	2-41/64" long, 1" wide, "L" type	8H 7629798	2
Group 29900-1 CHANNEL AND BRACKET ASSEMBLY (QUARTER GLASS)				
49	9H72		7EH 7229900-A	2
49	9H76	R.H.	8H 7629900	1
49	9H76	L.H.	8H 7629901	1
Group 29904-5 WEATHERSTRIP (QUARTER VENT WINDOW)				
49	9L72	R.H.	7A 7229904-A	1
49	9L72	L.H.	7A 7229905-A	1
49	9H73	R.H.	8H 7329904	1
49	9H73	L.H.	8H 7329905	1
49	9H74	R.H.	8H 7429904	1
49	9H74	L.H.	8H 7429905	1
49	9H76	R.H.-front-13-21/64"	8H 7629904	1
49	9H76	L.H.-front-13-21/64"	8H 7629905	1
Group 29906 RETAINER (QUARTER WINDOW WEATHERSTRIP)-FRONT				
49	9H76	13-3/16" long	8H 7629906	2
49	9H76	Screw (binding head sheet metal)-No. 2 x 1/4"	355008-S7	8
Group 29908-9 WEATHERSTRIP (QUARTER WINDOW BELT)				
49	9L76	23-13/64" long	8M 7629908-A	2
49	9H76	R.H.-22-5/8" long	8H 7629908	1
49	9H76	L.H.-22-5/8" long	8H 7629909	1
49	9L76	Screw (binding head self tapping)-No. 14 x 1/4"	33165-S7	10

Lincoln and Lincoln Cosmopolitan

BODY PARTS CATALOGUE

YEAR 19	BODY TYPES	REMARKS	PART NUMBER	NO. REQ'D
Group 29908-9 WEATHERSTRIP (QUARTER WINDOW GLASS)-OUTER				
49	9H72	R.H.-18-9/32" long	8H 7229908	1
49	9H72	L.H.-18-9/32" long	8H 7229909	1
Group 29910 WEATHERSTRIP (QUARTER WINDOW)-INNER				
49	9H72	17-21/64" long	8H 7229910	2
49	9H76	22-5/8" long	8H 7629910	2
Group 29932-3 BRACKET (QUARTER WINDOW)-ON BODY				
49	9L76	R.H.	7A 7629932	1
49	9L76	L.H.	7A 7629933	1
49	9H76	R.H.	8H 7629932	1
49	9H76	L.H.	8H 7629933	1
49	9L76,9H76	Bolt (hex head)-5/16"-17 x 3/4"-bracket to hinge	20346-S2	4
49	9L76,9H76	Lockwasher-5/16	34806-S2	4
49	9L,9H,9L76,9H76	Washer (flat)-.39" x .75" x .10"	351385-S7	4
Group 29948 HINGE (QUARTER WINDOW)-ON BODY				
49	9L76		7A 7629948	2
49	9H76		8H 7629948	2
49	9L76,9H76	Lockwasher-No. 10	34803-S2	4
49	9L76,9H76	Screw (fillister head)-No. 10-32 x 13/16"	31652-S2	4
Group 29952 RETAINER (QUARTER WINDOW WEATHERSTRIP)-FRONT				
49	9L76		7A 7629952	2
Group 29954-5 HINGE (QUARTER WINDOW FRAME)				
49	9H76	R.H.	8H 7629954	1
49	9H76	L.H.	8H 7629955	1
49	9H76	Screw (flat head machine)-No. 8-32 x 3/8"	35999-S7	2
Group 29958-9 CHANNEL ASSEMBLY (QUARTER WINDOW FRONT LOWER CORNER)				
49	9L76	R.H.	7A 7629958	1
49	9L76	L.H.	7A 7629959	1
49	9H76	Screw (heasless set)-1/4"-28 x 5/16"	89582-S	2
Group 29986 BUMPER (QUARTER WINDOW GLASS RUN)				
49	9H76	Rubber	8H 7629986	2
Group 30106 GLASS RUN (QUARTER WINDOW)-FRONT				
49	9H72		7EH 7230106	2
Group 30110 GLASS RUN (QUARTER WINDOW)-UPPER				
49	9H72		7EH 7230110	2
Group 30146-7 WEATHERSTRIP (QUARTER WINDOW FRONT)				
49	9L76	R.H.-13-5/16" long	7A 7630146	1
49	9L76	L.H.-13-5/16" long	7A 7630147	1

Lincoln and Lincoln Cosmopolitan

BODY PARTS CATALOGUE

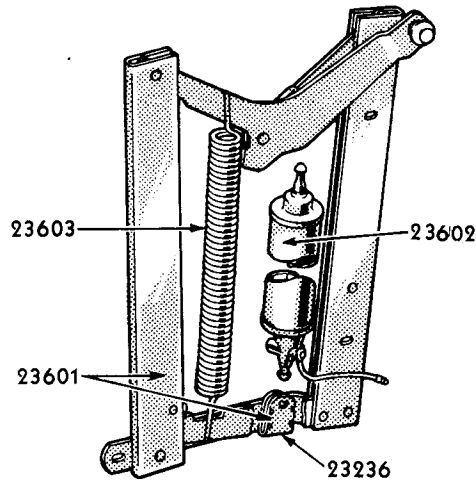
YEAR 19	BODY TYPES	REMARKS	PART NUMBER	NO. REQ'D
Group 30182 WINDLACE ASSEMBLY (REAR QUARTER WINDOW)				
49	9H72	use with Blue and Rust Tweed and Blue Pin Stripe Broadcloth Scheme	8H 7230182-A	2
49	9H72	use with Brown Stripe Broadcloth Scheme	8H 7230182-B	2
49	9H72	use with Gray Narrow Stripe Broadcloth Scheme	8H 7230182-H	2
49	9H72	use with Green Birdseye Broadcloth Scheme	8H 7230182-C	2
49	9H72	use with Green Narrow Stripe Broadcloth Scheme	8H 7230182-F	2
49	9H72	use with Tan Narrow Stripe Broadcloth Scheme	8H 7230182-G	2
49	9H73	use with Blue & Rust Tweed or Blue Pin Stripe Broadcloth Schemes	8H 7330182-A	2
49	9H73	use with Brown Stripe Broadcloth Scheme	8H 7330182-B	2
49	9H73	use with Gray Narrow Stripe Broadcloth Scheme	8H 7330182-C	2
49	9H73	use with Green Birdseye Broadcloth Scheme	8H 7330182-C	2
49	9H73	use with Green Narrow Stripe Broadcloth Scheme	8H 7330182-E	2
49	9H73	use with Tan Narrow Stripe Broadcloth Scheme	8H 7330182-F	2
49	9H74	use with Blue and Rust Tweed Broadcloth Scheme	8H 7430182-A	2
49	9H74	use with Blue Pin Stripe Broadcloth Scheme	8H 7430182-D	2
49	9H74	use with Brown Stripe Broadcloth Scheme	8H 7430182-B	2
49	9H74	use with Gray Narrow Stripe Broadcloth Scheme	8H 7430182-G	2
49	9H74	use with Green Birdseye Broadcloth Scheme	8H 7430182-C	2
49	9H74	use with Green Narrow Stripe Broadcloth Scheme	8H 7430182-E	2
49	9H74	use with Tan Narrow Stripe Broadcloth Scheme	8H 7430182-F	2
49	9H72	Screw (Phillips oval head)-No. 6 x 1/2"	52352-S13	14
Group 30224 STRIP (QUARTER VENT WINDOW GLASS RETAINING)				
49	9H72	secure locally-37" long-.060" thick-1-3/8" wide-Rubber tape	8H 7230224-E	2
49	9H72	secure locally-37" long .070" thick-1-3/8" wide-Rubber tape	8H 7230224-F	2
Group 30226 STOP (QUARTER VENT WINDOW PIVOT)				
49	9L74	rear door	19A 7030226-B	2
49	9H except 76		8H 7330226	2
Group 30234-5 BAR ASSEMBLY (QUARTER VENT WINDOW DIVISION)				
49	9H72	R.H.	7EH 7230234	1
49	9H72	L.H.	7EH 7230235	1
49	9H72	Screw (Rd.Hd.)-#8-32 x 1/4	26457-S7	2
Group 30240 BRACKET (QUARTER WINDOW DIVISION BAR LOWER FASTENING)				
49	9H72		7EH 7230240	2
Group 30248-9 WEATHERSTRIP (QUARTER VENT WINDOW)				
49	9H72	R.H.	8H 7230248-A	1
49	9H72	L.H.	8H 7230249-A	1
Group 30256 PLATE (QUARTER VENT WINDOW)-UPPER PIVOT LOCK				
49	9H72		19A 7030256	2
Group 30258 BRACKET (REAR QUARTER WINDOW FRAME LOCKING)				
49	9H72-73		8H 7330258	2

Lincoln and Lincoln Cosmopolitan

99

BODY PARTS CATALOGUE

YEAR 19	BODY TYPES	REMARKS	PART NUMBER	NO. REQ'D
Group 30274 BRACKET (QUARTER VENT WINDOW DIVISION BAR)-LOWER				
49	9H72		8H 7230274	2
Group 30280 SHAFT AND BRACKET ASSEMBLY (QUARTER WINDOW HANDLE)				
49	9H except 76		8H 7330280	2
Group 30284 PLATE (QUARTER VENT WINDOW LOCK)				
49	9L72		8M 7030284	2
Group 30288 PLATE (QUARTER VENT WINDOW UPPER LOCK)				
49	9H73-74		8H 7330288	2



PM-268

QUARTER WINDOW REGULATOR (8M-7630307)

Group numbers only shown on illustration. Order by Part Numbers shown in list of parts.

Group 30306-7 REGULATOR ASSEMBLY (QUARTER WINDOW)				
49	9L76	R.H.	8M 7630306	1
49	9L76	L.H.	8M 7630307	1
49	9H76	R.H.	8H 7630306	1
49	9H76	L.H.	8H 7630307	1
49	9L76	Bolt (hex head)-1/4"-20 x 3/4"-reg. to pillar & qtr. panel	24344-S7	4
49	9H76	Bolt (hex head)-1/4"-20 x 1/2"-bracket to side member	24308-S	4
49	9H72-76	Connector (inverted male hex type)-9/16"	353002-S	2
49	9L76	Nut (lock)-1/4"-20	34390-S7	4

Group 30504-5 FRAME AND VENT WINDOW ASSEMBLY (QUARTER WINDOW)-COMPLETE				
49	9H72	R.H.-with division bar	8H 7230504-A	1
49	9H72	L.H.-with division bar	8H 7230505-A	1
49	9H72	R.H.-without division bar	8H 7230504-B	1
49	9H72	L.H.-without division bar	8H 7230505-B	1
49	9H74	Nut (lock)-5/16"-24	34443-S8	2

Lincoln and Lincoln Cosmopolitan

BODY PARTS CATALOGUE

YEAR 19	BODY TYPES	REMARKS	PART NUMBER	NO. REQ'D
Group 30504-5 WINDOW AND FRAME ASSEMBLY (QUARTER)-COMPLETE				
49	9H73	R.H.-includes outer frame	8H 7330504	1
49	9H73	L.H.-includes outer frame	8H 7330505	1
49	9H74	L.H.-includes outer frame	8H 7430505	1
49	9H74	R.H.-includes outer frame	8H 7430504	1
Group 30504-5 FRAME ASSEMBLY (QUARTER WINDOW)				
49	9H76	R.H.	8H 7630504	1
49	9H76	L.H.	8H 7630505	1
Group 30506-7 FRAME AND GLASS ASSEMBLY (QUARTER WINDOW)				
49	9L72	R.H.	7A 7230506	1
49	9L72	L.H.	7A 7230507	1
49	9L72	Lockwasher (internal tooth)-1/4"	34905-S7	1
49	9L72	Screw (special shoulder)-1/4"-28	355316-S	1
Group 30548 CLAMP (QUARTER WINDOW FRAME)-LOWER PIVOT				
49	9L except 76		8M 7030548	2
49	9L72	Bolt (shoulder)-5/16"-2 1/4 x 3/4"	357745-S8	2
49	9L72	Lockwasher-5/16"	34806-S2	1
49	9L72	Nut (hex)-5/16"	33798-S2	1
Group 30552 STOP (QUARTER GLASS FRAME PIVOT)				
49	9L72	-serrated hole	8M 7330552	2
Group 30556 PIN (QUARTER WINDOW FRAME HINGE)				
49	9L76		7A 7630556	2
49	9H76		7A 7630556	2
Group 30618 WEATHERSTRIP (QUARTER WINDOW GLASS)-UPPER				
49	9H76		8H 7630618-A	2
Group 30696 COVER AND RECEPTACLE ASSEMBLY (QUARTER ASH)				
49	9L72		8L 7030696	2
49	9L72	Screw (round head)-No. 8-32 x 3/8"	36799-S7	4
49	9L72	Screw (Phillips oval head self tapping)-No. 8 x 5/8"	350066-S13	4
49	9L72	Nut (speed)-No. 8A	352388-S32	4
Group 30714 RETAINER (QUARTER ASH RECEPTACLE)				
49	9L76		8M 7630714	2

Lincoln and Lincoln Cosmopolitan

BODY PARTS CATALOGUE

YEAR 19__	BODY TYPES	REMARKS	PART NUMBER	NO. REQ'D
Group 31000-1 TRIM ASSEMBLY (REAR QUARTER)				
49	9L72	R.H.-Upper M-19101-U Blue Green Birdseye Broadcloth, Center M-19152-L Gray Broadcloth, Lower Gray Artificial Leather	Δ8L 7231000-A	1
49	9L72	L.H.-Upper M-19101-U Blue Green Birdseye Broadcloth, Center M-19152-L Gray Broadcloth, Lower Gray Artificial Leather	Δ8L 7231001-A	1
49	9L72	R.H.-Upper M-19101-U Blue Green Birdseye Broadcloth, Center M-19152-L Gray Birdseye Broadcloth, Lower Gray Artificial Leather	●8L 7231000-F	1
49	9L72	L.H.-Upper M-19101-U Blue Green Birdseye Broadcloth, Center M-19152-L Gray Birdseye Broadcloth, Lower Gray Artificial Leather	●8L 7231001-F	1
49	9L72	R.H.-Upper M-19141-N Gray Bedford Cord, Center M-19152-T Blue Gray Broadcloth, Lower Gray Bedford Artificial Leather	Δ8L 7231000-C	1
49	9L72	L.H.-Upper M-19141-N Gray Bedford Cord, Center M-19152-T Blue Gray Broadcloth, Lower Gray Bedford Artificial Leather	Δ8L 7231001-C	1
49	9L72	R.H.-Upper M-19141-N Gray Bedford Cord, Center M-19152-T Blue Gray Broadcloth, Lower Gray Bedford Artificial Leather	●8L 7231000-H	1
49	9L72	L.H.-Upper M-19141-N Gray Bedford Cord, Center M-19152-T Blue Gray Broadcloth, Lower Gray Bedford Artificial Leather	●8L 7231001-H	1
49	9L72	R.H.-Upper M-19141-P Dark Gray Bedford Cord, Center M-19152-V Dark Gray Broadcloth, Lower Gray Bedford Artificial Leather	●8L 7231000-K	1
49	9L72	L.H.-Upper M-19141-P Dark Gray Bedford Cord, Center M-19152-V Dark Gray Broadcloth, Lower Gray Bedford Artificial Leather	●8L 7231001-K	1
49	9L72	R.H.-Upper M-19106-G Light Gray Plain Broadcloth, Center M-19105-J Gray Shadow Stripe Broadcloth, Lower Light Gray Artificial Leather	8L 7231000-N	1
49	9L72	L.H.-Upper M-19106-G Light Gray Plain Broadcloth, Center M-19105-J Gray Shadow Stripe Broadcloth, Lower Light Gray Artificial Leather	8L 7231001-N	1
49	9L72	R.H.-Upper M-19106-A Light Green Plain Broadcloth, Center M-19105-G Green Shadow Stripe Broadcloth, Lower Light Green Artificial Leather	8L 7231000-L	1
49	9L72	L.H.-Upper M-19106-A Light Green Plain Broadcloth, Center M-19105-G Green Shadow Stripe Broadcloth, Lower Light Green Artificial Leather	8L 7231001-L	1
49	9L72	R.H.-Upper M-19101-P Tan and Yellow Check Broadcloth, Center M-19152-M Brown Taupe Broadcloth, Lower Brown Taupe Artificial Leather	Δ8L 7231000-B	1
49	9L72	L.H.-Upper M-19101-P Tan and Yellow Check Broadcloth, Center M-19152-M Brown Taupe Broadcloth, Lower Brown Taupe Artificial Leather	Δ8L 7231001-B	1
49	9L72	R.H.-Upper M-19101-W Tan and Yellow Broken Stripe Broadcloth, Center M-19152-M Brown Taupe Broadcloth, Lower Brown Taupe Artificial Leather	Δ8L 7231000-E	1
49	9L72	L.H.-Upper M-19101-W Tan and Yellow Broken Stripe Broadcloth, Center M-19152-M Brown Taupe Broadcloth, Lower Brown Taupe Artificial Leather	Δ8L 7231001-E	1
49	9L72	R.H.-Upper M-19101-W Tan and Yellow Broken Stripe Broadcloth, Center M-19152-M Brown Taupe Broadcloth, Lower Brown Taupe Artificial Leather	●8L 7231000-G	1
49	9L72	L.H.-Upper M-19101-W Tan and Yellow Broken Stripe Broadcloth, Center M-19152-M Brown Taupe Broadcloth, Lower Brown Taupe Artificial Leather	●8L 7231001-G	1

Δ Used on cars having front seat with metal stationary foot rest welded to seat frame.

● Used on cars having front seat without foot rest.

Lincoln and Lincoln Cosmopolitan

BODY PARTS CATALOGUE

YEAR 19__	BODY TYPES	REMARKS	PART NUMBER	NO. REQ'D
Group 31000-1 TRIM ASSEMBLY (REAR QUARTER)-CONTINUED				
49	9L72	R.H.-Upper M-19106-C Light Tan Plain Broadcloth, Center M-19105-H Tan Shadow Stripe Broadcloth, Lower Light Tan Artificial Leather	8L 7231000-M	1
49	9L72	L.H.-Upper M-19106-C Light Tan Plain Broadcloth, Center M-19105-H Tan Shadow Stripe Broadcloth, Lower Light Tan Artificial Leather	8L 7231001-M	1
49	9L74	R.H.-M-19101-U Blue Green Birdseye Broadcloth	8L 7431000-A	1
49	9L74	L.H.-M-19101-U Blue Green Birdseye Broadcloth	8L 7431001-A	1
49	9L74	R.H.-M-19141-N Gray Bedford Cord	8L 7431000-C	1
49	9L74	L.H.-M-19141-N Gray Bedford Cord	8L 7431001-C	1
49	9L74	R.H.-M-19141-P Dark Gray Bedford Cord	8L 7431000-F	1
49	9L74	L.H.-M-19141-P Dark Gray Bedford Cord	8L 7431001-F	1
49	9L74	R.H.-M-19106-G Light Gray Plain Broadcloth	8L 7431000-J	1
49	9L74	L.H.-M-19106-G Light Gray Plain Broadcloth	8L 7431001-J	1
49	9L74	R.H.-M-19106-A Light Green Plain Broadcloth	8L 7431000-G	1
49	9L74	L.H.-M-19106-A Light Green Plain Broadcloth	8L 7431001-G	1
49	9L74	R.H.-M-19101-P Tan and Yellow Check Broadcloth	8L 7431000-B	1
49	9L74	L.H.-M-19101-P Tan and Yellow Check Broadcloth	8L 7431001-B	1
49	9L74	R.H.-M-19101-W Tan and Yellow Broken Stripe Broadcloth	8L 7431000-E	1
49	9L74	L.H.-M-19101-W Tan and Yellow Broken Stripe Broadcloth	8L 7431001-E	1
49	9L74	R.H.-M-19106-C Light Tan Plain Broadcloth	8L 7431000-H	1
49	9L74	L.H.-M-19106-C Light Tan Plain Broadcloth	8L 7431001-H	1
49	9H72	R.H.-Upper M-19101-V Blue Gray Broadcloth, Center M-19101-L Blue Gray Broadcloth, Lower Blue Gray Artificial Leather	8H 7231000-F	1
49	9H72	L.H.-Upper M-19101-V Blue Gray Broadcloth, Center M-19101-L Blue Gray Broadcloth, Lower Blue Gray Artificial Leather	8H 7231001-F	1
49	9H72	R.H.-Upper M-19104-F Blue Gray Broadcloth, Center M-19104-D Blue Gray Broadcloth, Lower Dark Blue Gray Artificial Leather	8H 7231000-J	1
49	9H72	L.H.-Upper M-19104-F Blue Gray Broadcloth, Center M-19104-D Blue Gray Broadcloth, Lower Dark Blue Gray Artificial Leather	8H 7231001-J	1
49	9H72	R.H.-Upper M-19105-L Gray Shadow Stripe Broadcloth, Center M-19106-G Light Gray Plain Broadcloth, Lower Gray Carpet	8H 7231000-N	1
49	9H72	L.H.-Upper M-19105-L Gray Shadow Stripe Broadcloth, Center M-19106-G Light Gray Plain Broadcloth, Lower Gray Carpet	8H 7231001-N	1
49	9H72	R.H.-Upper M-19104-E Green Broadcloth, Center Green Gray Broad- cloth, Lower Green Gray Artificial Leather	8H 7231000-H	1
49	9H72	L.H.-Upper M-19104-E Green Broadcloth, Center Green Gray Broad- cloth, Lower Green Gray Artificial Leather	8H 7231001-H	1
49	9H72	R.H.-Upper M-19105-A Green Shadow Stripe Broadcloth, Center M-19106-A Light Green Plain Broadcloth, Lower Plain Green Carpet	8H 7231000-L	1
49	9H72	L.H.-Upper M-19105-A Green Shadow Stripe Broadcloth, Center M-19106-A Light Green Plain Broadcloth, Lower Plain Green Carpet	8H 7231001-L	1
49	9H72	R.H.-Upper M-19101-N Tan Broadcloth, Center M-19101-T Brown Stripe Broadcloth, Lower Tan Artificial Leather	8H 7231000-G	1
49	9H72	L.H.-Upper M-19101-N Tan Broadcloth, Center M-19101-T Brown Stripe Broadcloth, Lower Tan Artificial Leather	8H 7231001-G	1
49	9H72	R.H.-Upper M-19105-C Tan Shadow Stripe Broadcloth, Center M-19106-C Light Tan Plain Broadcloth, Lower Plain Tan Carpet	8H 7231000-M	1
49	9H72	L.H.-Upper M-19105-C Tan Shadow Stripe Broadcloth, Center M-19106-C Light Tan Plain Broadcloth, Lower Plain Tan Carpet	8H 7231001-M	1

Lincoln and Lincoln Cosmopolitan

BODY PARTS CATALOGUE

YEAR 19	BODY TYPES	REMARKS	PART NUMBER	NO. REQ'D
Group 31000-1 TRIM ASSEMBLY (REAR QUARTER)-CONTINUED				
49	9H73	R.H.-Upper M-19101-V Blue Gray Broadcloth, Lower M-19101-L Blue Gray Broadcloth	48H 7331000-A	1
49	9H73	L.H.-Upper M-19101-V Blue Gray Broadcloth, Lower M-19101-L Blue Gray Broadcloth	48H 7331001-A	1
49	9H73	R.H.-Upper M-19104-F Blue Gray Broadcloth, Lower M-19104-D Blue Gray Broadcloth	48H 7331000-D	1
49	9H73	L.H.-Upper M-19104-F Blue Gray Broadcloth, Lower M-19104-D Blue Gray Broadcloth	48H 7331001-D	1
49	9H73	R.H.-Upper M-19101-V Blue Gray Broadcloth, Lower M-19101-L Blue Gray Broadcloth	*8H 7331000-F	1
49	9H73	L.H.-Upper M-19101-V Blue Gray Broadcloth, Lower M-19101-L Blue Gray Broadcloth	*8H 7331001-F	1
49	9H73	R.H.-Upper M-19104-F Blue Gray Broadcloth, Lower M-19104-D Blue Gray Broadcloth	*8H 7331000-J	1
49	9H73	L.H.-Upper M-19104-F Blue Gray Broadcloth, Lower M-19104-D Blue Gray Broadcloth	*8H 7331001-J	1
49	9H73	R.H.-Upper M-19105-L Gray Shadow Stripe Broadcloth, Lower M-19106-G Light Gray Plain Broadcloth	8H 7331000-N	1
49	9H73	L.H.-Upper M-19105-L Gray Shadow Stripe Broadcloth, Lower M-19106-G Light Gray Plain Broadcloth	8H 7331001-N	1
49	9H73	R.H.-Upper M-19104-E Green Broadcloth, Lower M-19104-C Green Gray Broadcloth	48H 7331000-C	1
49	9H73	L.H.-Upper M-19104-E Green Broadcloth, Lower M-19104-C Green Gray Broadcloth	48H 7331001-C	1
49	9H73	R.H.-Upper M-19104-E Green Broadcloth, Lower M-19104-C Green Gray Broadcloth	*8H 7331000-H	1
49	9H73	L.H.-Upper M-19104-E Green Broadcloth, Lower M-19104-C Green Gray Broadcloth	*8H 7331001-H	1
49	9H73	R.H.-Upper M-19105-A Green Shadow Stripe Broadcloth, Lower M-19106-A Light Green Plain Broadcloth	8H 7331000-L	1
49	9H73	L.H.-Upper M-19105-A Green Shadow Stripe Broadcloth, Lower M-19106-A Light Green Plain Broadcloth	8H 7331001-L	1
49	9H73	R.H.-Upper M-19101-N Tan Broadcloth, Lower M-19101-T Brown Stripe Broadcloth	48H 7331000-B	1
49	9H73	L.H.-Upper M-19101-N Tan Broadcloth, Lower M-19101-T Brown Stripe Broadcloth	48H 7331001-B	1
49	9H73	R.H.-Upper M-19101-N Tan Broadcloth, Lower M-19101-T Brown Stripe Broadcloth	*8H 7331000-G	1
49	9H73	L.H.-Upper M-19101-N Tan Broadcloth, Lower M-19101-T Brown Stripe Broadcloth	*8H 7331001-G	1
49	9H73	R.H.-Upper M-19105-C Tan Shadow Stripe Broadcloth, Lower M-19106-C Light Tan Plain Broadcloth	8H 7331000-M	1
49	9H73	L.H.-Upper M-19105-C Tan Shadow Stripe Broadcloth, Lower M-19106-C Light Tan Plain Broadcloth	8H 7331001-M	1
49	9H74	R.H.-Upper M-19101-V Blue Gray Broadcloth, Lower M-19101-L Blue Gray Broadcloth	48H 7431000-A	1
49	9H74	L.H.-Upper M-19101-V Blue Gray Broadcloth, Lower M-19101-L Blue Gray Broadcloth	48H 7431001-A	1
49	9H74	R.H.-Upper M-19104-F Blue Gray Broadcloth, Lower M-19104-D Blue Gray Broadcloth	48H 7431000-D	1
49	9H74	L.H.-Upper M-19104-F Blue Gray Broadcloth, Lower M-19104-D Blue Gray Broadcloth	48H 7431001-D	1

△ Used on cars having front seat with metal stationary foot rest welded to seat frame.

* Used on cars having front seat with adjustable foot rest or stationary foot rest bolted to seat frame.

Lincoln and Lincoln Cosmopolitan

BODY PARTS CATALOGUE

YEAR 19	BODY TYPES	REMARKS	PART NUMBER	NO. REQ'D
Group 31000-1 TRIM ASSEMBLY (REAR QUARTER)-CONTINUED				
49	9H74	R.H.-Upper M-19101-V Blue Gray Broadcloth, Lower M-19101-L Blue Gray Broadcloth	*8H 7431000-F	1
49	9H74	L.H.-Upper M-19101-V Blue Gray Broadcloth, Lower M-19101-L Blue Gray Broadcloth	*8H 7431001-F	1
49	9H74	R.H.-Upper M-19104-F Blue Gray Broadcloth, Lower M-19104-D Blue Gray Broadcloth	*8H 7431000-J	1
49	9H74	L.H.-Upper M-19104-F Blue Gray Broadcloth, Lower M-19104-D Blue Gray Broadcloth	*8H 7431001-J	1
49	9H74	R.H.-Upper M-19105-L Gray Shadow Stripe Broadcloth, Lower M-19106-G Light Gray Plain Broadcloth	8H 7431000-N	1
49	9H74	L.H.-Upper M-19105-L Gray Shadow Stripe Broadcloth, Lower M-19106-G Light Gray Plain Broadcloth	8H 7431001-N	1
49	9H74	R.H.-Upper M-19104-E Green Broadcloth, Lower M-19104-C Green Gray Broadcloth	△8H 7431000-C	1
49	9H74	L.H.-Upper M-19104-E Green Broadcloth, Lower M-19104-C Green Gray Broadcloth	△8H 7431001-C	1
49	9H74	R.H.-Upper M-19104-E Green Broadcloth, Lower M-19104-C Green Gray Broadcloth	*8H 7431000-H	1
49	9H74	L.H.-Upper M-19104-E Green Broadcloth, Lower M-19104-C Green Gray Broadcloth	*8H 7431001-H	1
49	9H74	R.H.-Upper M-19105-A Green Shadow Stripe Broadcloth, Lower M-19106-A Light Green Plain Broadcloth	8H 7431000-L	1
49	9H74	L.H.-Upper M-19105-A Green Shadow Stripe Broadcloth, Lower M-19106-A Light Green Plain Broadcloth	8H 7431001-L	1
49	9H74	R.H.-Upper M-19101-N Tan Broadcloth, Lower M-19101-T Brown Stripe Broadcloth	△8H 7431000-B	1
49	9H74	L.H.-Upper M-19101-N Tan Broadcloth, Lower M-19101-T Brown Stripe Broadcloth	△8H 7431001-B	1
49	9H74	R.H.-Upper M-19101-N Tan Broadcloth, Lower M-19101-T Brown Stripe Broadcloth	*8H 7431000-G	1
49	9H74	L.H.-Upper M-19101-N Tan Broadcloth, Lower M-19101-T Brown Stripe Broadcloth	*8H 7431001-G	1
49	9H74	R.H.-Upper M-19105-C Tan Shadow Stripe Broadcloth, Lower M-19106-C Light Tan Plain Broadcloth	8H 7431000-M	1
49	9H74	L.H.-Upper M-19105-C Tan Shadow Stripe Broadcloth, Lower M-19106-C Light Tan Plain Broadcloth	8H 7431001-M	1
49	9L74	Screw (Phillips oval head)-No. 8 x 1"	52376-S13	2
49	9H72	Screw (oval head sheet metal)-No. 6 x 3/4"	33000-S13	2
49	9H72	Washer (countersunk)-No. 6	34861-S23	2
49	9H73	Screw (flat head self tapping)-No. 8 x 1/2"	32793-S	6
49	9H74	Screw (drive-combination)-No. 4	351580-S28-A1	2

△ Used on cars having front seat with metal stationary foot rest welded to seat frame.

* Used on cars having front seat with adjustable foot rest or stationary foot rest bolted to seat frame.

Lincoln and Lincoln Cosmopolitan

BODY PARTS CATALOGUE

YEAR 19	BODY TYPES	REMARKS	PART NUMBER	NO. REQ'D
Group 31002-3 TRIM ASSEMBLY (REAR QUARTER PANEL)-LESS ARM REST				
49	9L76	R.H.-Upper Blue Artificial Leather, Center M-5085-S Blue Bedford Cord, Lower Blue Artificial Leather	48L 7631002-D	1
49	9L76	L.H.-Upper Blue Artificial Leather, Center M-5085-S Blue Bedford Cord, Lower Blue Artificial Leather	48L 7631003-D	1
49	9L76	R.H.-Upper Blue Artificial Leather, Center M-5085-S Blue Bedford Cord, Lower Blue Artificial Leather	●8L 7631002-H	1
49	9L76	L.H.-Upper Blue Artificial Leather, Center M-5085-S Blue Bedford Cord, Lower Blue Artificial Leather	●8L 7631003-H	1
49	9L76	R.H.-Upper Green Artificial Leather, Center M-5085-Q Green Bedford Cord, Lower Green Artificial Leather	48L 7631002-C	1
49	9L76	L.H.-Upper Green Artificial Leather, Center M-5085-Q Green Bedford Cord, Lower Green Artificial Leather	48L 7631003-C	1
49	9L76	R.H.-Upper Green Artificial Leather, Center M-5085-Q Green Bedford Cord, Lower Green Artificial Leather	●8L 7631002-G	1
49	9L76	L.H.-Upper Green Artificial Leather, Center M-5085-Q Green Bedford Cord, Lower Green Artificial Leather	●8L 7631003-G	1
49	9L76	R.H.-Upper Red Artificial Leather, Center M-5085-P Tan Bedford Cord, Lower Red Artificial Leather	48L 7631002-A	1
49	9L76	L.H.-Upper Red Artificial Leather, Center M-5085-P Tan Bedford Cord, Lower Red Artificial Leather	48L 7631003-A	1
49	9L76	R.H.-Upper Red Artificial Leather, Center M-5085-P Tan Bedford Cord, Lower Red Artificial Leather	●8L 7631002-E	1
49	9L76	L.H.-Upper Red Artificial Leather, Center M-5085-P Tan Bedford Cord, Lower Red Artificial Leather	●8L 7631003-E	1
49	9L76	R.H.-Upper Tan Artificial Leather, Center M-5085-P Tan Bedford Cord, Lower Tan Artificial Leather	48L 7631002-B	1
49	9L76	L.H.-Upper Tan Artificial Leather, Center M-5085-P Tan Bedford Cord, Lower Tan Artificial Leather	48L 7631003-B	1
49	9L76	R.H.-Upper Tan Artificial Leather, Center M-5085-P Tan Bedford Cord, Lower Tan Artificial Leather	●8L 7631002-F	1
49	9L76	L.H.-Upper Tan Artificial Leather, Center M-5085-P Tan Bedford Cord, Lower Tan Artificial Leather	●8L 7631003-F	1
49	9L76	Screw (Phillips head self tapping)-No. 8 x 7/8"	350067-S13	6
49	9L74-76	Washer (countersunk)-No. 8	34862-S23	2or6

Group 31004-5 PANEL ASSEMBLY (REAR QUARTER TRIM)-FRONT

49	9H76	R.H.-Blue Leather	8H 7631004-D	1
49	9H76	L.H.-Blue Leather	8H 7631005-D	1
49	9H76	R.H.-Upper Blue Leather, Center M-19146-M Blue Whipcord, Lower Blue Leather	8H 7631004-S	1
49	9H76	L.H.-Upper Blue Leather, Center M-19146-M Blue Whipcord, Lower Blue Leather	8H 7631005-S	1
49	9H76	R.H.-Green Leather	8H 7631004-C	1
49	9H76	L.H.-Green Leather	8H 7631005-C	1
49	9H76	R.H.-Upper Green Leather, Center M-19146-L Green Whipcord, Lower Green Leather	8H 7631004-Q	1
49	9H76	L.H.-Upper Green Leather, Center M-19146-L Green Whipcord, Lower Green Leather	8H 7631005-Q	1

△ Used on cars having front seat with metal stationary foot rest welded to seat frame.

● Used on cars having front seat without foot rest.

Lincoln and Lincoln Cosmopolitan

BODY PARTS CATALOGUE

YEAR 19	BODY TYPES	REMARKS	PART NUMBER	NO. REQ'D
Group 31004-5 PANEL ASSEMBLY (REAR QUARTER TRIM)-FRONT-CONTINUED				
49	9H76	R.H.-Lime Green Leather	8H 7631004-F	1
49	9H76	L.H.-Lime Green Leather	8H 7631005-F	1
49	9H76	R.H.-Upper Lime Green Leather, Center M-19146-N Yellow Beige Whipcord, Lower Lime Green Leather	8H 7631004-U	1
49	9H76	L.H.-Upper Lime Green Leather, Center M-19146-N Yellow Beige Whipcord, Lower Lime Green Leather	8H 7631005-U	1
49	9H76	R.H.-Red Leather	8H 7631004-A	1
49	9H76	L.H.-Red Leather	8H 7631005-A	1
49	9H76	R.H.-Red and Light Neutral Gray Leather-Combination Trim	8H 7631004-G	1
49	9H76	L.H.-Red and Light Neutral Gray Leather-Combination Trim	8H 7631005-G	1
49	9H76	R.H.-Upper Red Leather, Center M-19146-K Beige Whip Cord, Lower Red Leather	8H 7631004-N	1
49	9H76	L.H.-Upper Red Leather, Center M-19146-K Beige Whipcord, Lower Red Leather	8H 7631005-N	1
49	9H76	R.H.-Tan Leather	8H 7631004-B	1
49	9H76	L.H.-Tan Leather	8H 7631005-B	1
49	9H76	R.H.-Upper Tan Leather, Center M-19146-K Beige Whipcord, Lower Tan Leather	8H 7631004-P	1
49	9H76	L.H.-Upper Tan Leather, Center M-19146-K Beige Whipcord, Lower Tan Leather	8H 7631005-P	1
49	9H76	R.H.-Yellow Leather	8H 7631004-E	1
49	9H76	L.H.-Yellow Leather	8H 7631005-E	1
49	9H76	R.H.-Upper Yellow Leather, Center M-19146-N Yellow Beige Cord, Lower Yellow Leather	8H 7631004-T	1
49	9H76	L.H.-upper Yellow Leather, Center M-19146-N Yellow Beige Cord, Lower Yellow Leather	8H 7631005-T	1
Group 31010-1 PANEL ASSEMBLY (REAR QUARTER TRIM)-REAR-LESS ARM REST				
49	9H76	R.H.-Blue Leather	8H 7631010-D	1
49	9H76	L.H.-Blue Leather	8H 7631011-D	1
49	9H76	R.H.-Upper Blue Leather, Center M-19146-M Blue Whipcord, Lower Blue Leather	8H 7631010-S	1
49	9H76	L.H.-Upper Blue Leather, Center M-19146-M Blue Whipcord, Lower Blue Leather	8H 7631011-S	1
49	9H76	R.H.-Green Leather	8H 7631010-C	1
49	9H76	L.H.-Green Leather	8H 7631011-C	1
49	9H76	R.H.-Upper Green Leather, Center M-19146-L Green Whipcord, Lower Green Leather	8H 7631010-Q	1
49	9H76	L.H.-Upper Green Leather, Center M-19146-L Green Whipcord, Lower Green Leather	8H 7631011-Q	1
49	9H76	R.H.-Lime Green Leather	8H 7631010-F	1
49	9H76	L.H.-Lime Green Leather	8H 7631011-F	1
49	9H76	R.H.-Upper Lime Green Leather, Center M-19146-N Yellow Beige Whipcord, Lower Lime Green Leather	8H 7631010-U	1
49	9H76	L.H.-Upper Lime Green Leather, Center M-19146-N Yellow Beige Whipcord, Lower Lime Green Leather	8H 7631011-U	1
49	9H76	R.H.-Red Leather	8H 7631010-A	1
49	9H76	L.H.-Red Leather	8H 7631011-A	1
49	9H76	R.H.-Red and Light Neutral Gray Leather-Combination Trim	8H 7631010-G	1
49	9H76	L.H.-Red and Light Neutral Gray Leather-Combination Trim	8H 7631011-G	1
49	9H76	R.H.-Upper Red Leather, Center M-19146-K Beige Whipcord, Lower Red Leather	8H 7631010-N	1
49	9H76	L.H.-Upper Red Leather, Center M-19146-K Beige Whipcord, Lower Red Leather	8H 7631011-N	1
49	9H76	R.H.-Tan Leather	8H 7631010-B	1
49	9H76	L.H.-Tan Leather	8H 7631011-B	1

Lincoln and Lincoln Cosmopolitan

BODY PARTS CATALOGUE

YEAR 19	BODY TYPES	REMARKS	PART NUMBER	NO. REQ'D
Group 31010-1 PANEL ASSEMBLY (REAR QUARTER TRIM)-REAR-LESS ARM REST-CONTINUED				
49	9H76	R.H.-Upper Tan Leather, Center M-19146-K Beige Whipcord, Lower Tan Leather	8H 7631010-P	1
49	9H76	L.H.-Upper Tan Leather, Center M-19146-K Beige Whipcord, Lower Tan Leather	8H 7631011-P	1
49	9H76	R.H.-Yellow Leather	8H 7631010-E	1
49	9H76	L.H.-Yellow Leather	8H 7631011-E	1
49	9H76	R.H.-Upper Yellow Leather, Center M-19146-N Yellow Beige Whipcord, Lower Yellow Whipcord	8H 7631010-T	1
49	9H76	L.H.-Upper Yellow Leather, Center M-19146-N Yellow Beige Whipcord, Lower Yellow Whipcord	8H 7631011-T	1
49	9H76	Fastener-17/64" x 15/64"	95472-S13	2
49	9H76	Screw (binding head self tapping)-No. 8 x 1/2"	32923-S7	12
49	9H76	Screw (binding head self tapping)-No. 8 x 1/2"	32923-S7	12
49	9H76	Screw (binding head self tapping)-No. 10 x 3/8"- quarter side trim rear to floor pan	33177-S7	4
49	9H76	Screw (oval head self tapping)-No. 8 x 1"	33013-S13	10
49	9H76	Stud (narrow head)-No. 8	352392-S13	2
49	9H76	Washer (hollow countersunk)-No. 8	34885-S13	10

Group 31038-9 TRIM ASSEMBLY (REAR QUARTER COURTESY LAMP)				
49	9H73-74	R.H.-M-19101-L Blue Gray Broadcloth	Δ8H 7431038-A	1
49	9H73-74	L.H.-M-19101-L Blue Gray Broadcloth	Δ8H 7431039-A	1
49	9H73-74	R.H.-M-19104-D Blue Gray Broadcloth	Δ8H 7431038-D	1
49	9H73-74	L.H.-M-19104-D Blue Gray Broadcloth	Δ8H 7431039-D	1
49	9H73-74	R.H.-M-19101-T Brown Stripe Broadcloth	Δ8H 7431038-B	1
49	9H73-74	L.H.-M-19101-T Brown Stripe Broadcloth	Δ8H 7431039-B	1
49	9H73-74	R.H.-M-19104-C Green Gray Broadcloth	Δ8H 7431038-C	1
49	9H73-74	L.H.-M-19104-C Green Gray Broadcloth	Δ8H 7431039-C	1

Group 31198 PLATE (QUARTER TRIM PANEL ATTACHING)				
49	9H72		8H 7231198	2
49	9H72	Screw (binding head sheet metal)-No. 8 x 5/8"	32930-S7	6
49	9H72	Washer (flat)-No. 8	34702-S7	2

Group 31224-5 TRIM ASSEMBLY (QUARTER LOCK PILLAR)				
49	9L76	R.H.-Blue Artificial Leather	8L 7631224	1
49	9L76	L.H.-Blue Artificial Leather	8L 7631225	1
49	9L76	R.H.-Green Artificial Leather	8M 7631224-C	1
49	9L76	L.H.-Green Artificial Leather	8M 7631225-C	1
49	9L76	R.H.-Red Artificial Leather	8M 7631224-A	1
49	9L76	L.H.-Red Artificial Leather	8M 7631225-A	1
49	9L76	R.H.-Tan Artificial Leather	8M 7631224-B	1
49	9L76	L.H.-Tan Artificial Leather	8M 7631225-B	1
49	9L76	Screw (Phillips head self tapping)-No. 8 x 5/8"	350066-S13	12
49	9L76	Washer (countersunk)-No. 8	34862-S23	12

Group 31230 TRIM ASSEMBLY (QUARTER LOCK PILLAR)				
49	9H72	M-19101-V Blue Gray Broadcloth	8H 7231230-A	2
49	9H72	M-19104-F Blue Gray Broadcloth	8H 7231230-D	2
49	9H72	M-19106-G Light Gray Plain Broadcloth	8H 7221230-E	2
49	9H72	M-19104-E Green Broadcloth	8H 7231230-C	2
49	9H72	M-19106-A Light Green Plain Broadcloth	8H 7231230-F	2
49	9H72	M-19101-N Tan Broadcloth	8H 7231230-B	2
49	9H72	M-19106-C Light Tan Plain Broadcloth	8H 7231230-G	2

Lincoln and Lincoln Cosmopolitan

BODY PARTS CATALOGUE

YEAR 19	BODY TYPES	REMARKS	PART NUMBER	NO. REQ'D
Group 31230-1 TRIM ASSEMBLY (QUARTER HINGE PILLAR)				
49	9H73	R.H.-M-19101-V Blue Gray Broadcloth	8H 7331230-A	1
49	9H73	L.H.-M-19101-V Blue Gray Broadcloth	8H 7331231-A	1
49	9H73	R.H.-M-19104-F Blue Gray Broadcloth	8H 7331230-D	1
49	9H73	L.H.-M-19104-F Blue Gray Broadcloth	8H 7331231-D	1
49	9H73	R.H.-M-19106-G Light Gray Plain Broadcloth	8H 7331230-H	1
49	9H73	L.H.-M-19106-G Light Gray Plain Broadcloth	8H 7331231-H	1
49	9H73	R.H.-M-19104-E Green Broadcloth	8H 7331230-C	1
49	9H73	L.H.-M-19104-E Green Broadcloth	8H 7331231-C	1
49	9H73	R.H.-M-19106-A Light Green Plain Broadcloth	8H 7331230-F	1
49	9H73	L.H.-M-19106-A Light Green Plain Broadcloth	8H 7331231-F	1
49	9H73	R.H.-M-19101-N Tan Broadcloth	8H 7331230-B	1
49	9H73	L.H.-M-19101-N Tan Broadcloth	8H 7331231-B	1
49	9H73	R.H.-M-19106-C Light Tan Plain Broadcloth	8H 7331230-G	1
49	9H73	L.H.-M-19106-C Light Tan Plain Broadcloth	8H 7331231-G	1
49	9H74	R.H.-M-19101-V Blue Gray Broadcloth	8H 7431230-A	1
49	9H74	L.H.-M-19101-V Blue Gray Broadcloth	8H 7431231-A	1
49	9H74	R.H.-M-19104-F Blue Gray Broadcloth	8H 7431230-D	1
49	9H74	L.H.-M-19104-F Blue Gray Broadcloth	8H 7431231-D	1
49	9H74	R.H.-M-19106-G Light Gray Plain Broadcloth	8H 7431230-H	1
49	9H74	L.H.-M-19106-G Light Gray Plain Broadcloth	8H 7431231-H	1
49	9H74	R.H.-M-19104-E Green Broadcloth	8H 7431230-C	1
49	9H74	L.H.-M-19104-E Green Broadcloth	8H 7431231-C	1
49	9H74	R.H.-M-19106-A Light Green Plain Broadcloth	8H 7431230-F	1
49	9H74	L.H.-M-19106-A Light Green Plain Broadcloth	8H 7431231-F	1
49	9H74	R.H.-M-19101-N Tan Broadcloth	8H 7431230-B	1
49	9H74	L.H.-M-19101-N Tan Broadcloth	8H 7431231-B	1
49	9H74	R.H.-M-19106-C Light Tan Plain Broadcloth	8H 7431230-G	1
49	9H74	L.H.-M-19106-C Light Tan Plain Broadcloth	8H 7431231-G	1
Group 31296-7 WINDLACE AND REINFORCEMENT ASSEMBLY (QUARTER LOCK PILLAR)				
49	9H76	R.H.-Blue Leather	8H 7631296-D	1
49	9H76	L.H.-Blue Leather	8H 7631297-D	1
49	9H76	R.H.-Green Leather	8H 7631296-C	1
49	9H76	L.H.-Green Leather	8H 7631297-C	1
49	9H76	R.H.-Lime Green Leather	8H 7631296-F	1
49	9H76	L.H.-Lime Green Leather	8H 7631297-F	1
49	9H76	R.H.-Red Leather	8H 7631296-A	1
49	9H76	L.H.-Red Leather	8H 7631297-A	1
49	9H76	R.H.-Tan Leather	8H 7631296-B	1
49	9H76	L.H.-Tan Leather	8H 7631297-B	1
49	9H76	R.H.-Yellow Leather	8H 7631296-E	1
49	9H76	L.H.-Yellow Leather	8H 7631297-E	1
Group 31306 WINDLACE AND REINFORCEMENT ASSEMBLY (REAR QUARTER HINGE PILLAR)				
49	9H73-74	use with Blue and Rust Tweed or Blue Pin Stripe Broadcloth Scheme	8H 7331306-A	2
49	9H73-74	use with Brown Stripe Broadcloth Scheme	8H 7331306-B	2
49	9H73-74	use with Gray Narrow Stripe Broadcloth Scheme	8H 7331306-H	2
49	9H73-74	use with Green Bridseye Broadcloth Scheme	8H 7331306-C	2
49	9H73-74	use with Green Narrow Stripe Broadcloth Scheme	8H 7331306-F	2
49	9H73-74	use with Tan Narrow Stripe Broadcloth Scheme	8H 7331306-G	2

Lincoln and Lincoln Cosmopolitan

BODY PARTS CATALOGUE

YEAR 19	BODY TYPES	REMARKS	PART NUMBER	NO. REQ'D
Group 31306 WINDLACE AND REINFORCEMENT ASSEMBLY (QUARTER LOCK PILLAR)				
49	9H72	use with Blue and Rust Tweed or Blue Pin Stripe Broadcloth Scheme	8H 7231306-A	2
49	9H72	use with Brown Stripe Broadcloth Scheme	8H 7231306-B	2
49	9H72	use with Gray Narrow Stripe Broadcloth Scheme	8H 7231306-G	2
49	9H72	use with Green Birdseye Broadcloth Scheme	8H 7231306-C	2
49	9H72	use with Green Narrow Stripe Broadcloth Scheme	8H 7231306-E	2
49	9H72	use with Tan Narrow Stripe Broadcloth Scheme	8H 7231306-F	2
Group 31410 LOOP ASSEMBLY (ASSIST)				
49	9L72-74	use with Blue Bedford Cord Scheme	8L 7331410-C	2
49	9L72-74	use with Green Birdseye Broadcloth Scheme	8L 7331410-A	2
49	9L72-74	use with Yellow Check Broadcloth	8L 7331410-B	2
49	9L except 76, 9H72-73	use with Gray Narrow Stripe and Gray Wide Stripe Broadcloth Schemes	8L 7331410-D	2
49	9L except 76, 9H72-73	use with Green Narrow Stripe and Green Wide Stripe Broadcloth Schemes	8H 7331410-A	2
49	9L except 76, 9H72-73	use with Tan Narrow Stripe and Tan Wide Stripe Broadcloth Schemes	8H 7331410-B	2
49	9H72-73	use with Blue and Rust Tweed Broadcloth Scheme	7EH 7331410-A	2
49	9H72-73	use with Blue Pin Stripe Broadcloth Scheme-M-19163-D Headlining	7EH 7331410-D	2
49	9H72-73	use with Blue Pin Stripe Broadcloth Scheme-M-19163-A Headlining	7EH 7331410-K	2
49	9H72-73	use with Brown Stripe Broadcloth Scheme	7EH 7331410-B	2
49	9H72-73	use with Green Birdseye Broadcloth Scheme	7EH 7331410-C	2
49	9H74	use with Blue and Rust Tweed Broadcloth Scheme	8H 7431410-A	2
49	9H74	use with Blue Pin Stripe Broadcloth Scheme	8H 7431410-D	2
49	9H74	use with Brown Stripe Broadcloth Scheme	8H 7431410-B	2
49	9H74	use with Gray Narrow Stripe Broadcloth Scheme	8H 7431410-J	2
49	9H74	use with Green Birdseye Broadcloth Scheme	8H 7431410-C	2
49	9H74	use with Green Narrow Stripe Broadcloth Scheme	8H 7431410-F	2
49	9H74	use with Tan Narrow Stripe Broadcloth Scheme	8H 7431410-G	2
49	9L72	Bolt (round head shoulder)-No. 10-32 x 7/32"	352370-S8	2
49	9L74,9H73-74	Button (Durable Dot Snap type)-5/32" x 3/16"	95397-S23	2
49	9L72,9H72-73	Eyelet (clinch type)	95630-S6	2
49	9L72,9H72	Eyelet	95630-S6	2
49	9H72	Screw (round head shoulder)-1/4"-28 x .96"	352368-S8	2
49	9H72-73	Screw (round head)-1/4"-28	352368-S8	2
49	9L-74,9H73	Socket (durable Dot Snap type)	95460-S13	2
49	9H72	Stud (durable dot snap type)-No. 8 x 1"	95243-S13	2
49	9L74,9H73-74	Stud (Durable Dot Snap type)-No. 10 x 5/8"	95215-S13	2
49	9L72-74,9H72-73-74	Washer (clinch type)	95627-S7	2
Group 31420 BRACKET (ASSIST LOOP)				
49	9L72,9H72-73-74		7EH 7331420	2
Group 31422 CAP (ASSIST LOOP BRACKET)				
49	9L72,9H72-73-74		7EH 7331422	2
Group 31452 BRACKET (COAT HANGER)				
49	9L except 76,9H except 76		8H 7331452	2
49	9L except 76,9H except 76	Screw (Phillips-self tapping)-No. 8-5/8"	350066-S13	4

Lincoln and Lincoln Cosmopolitan

BODY PARTS CATALOGUE

YEAR 19__	BODY TYPES	REMARKS	PART NUMBER	NO. REQ'D
Group 31600-1 REST ASSEMBLY (REAR QUARTER ARM)				
49	9L72	R.H.-Top Gray Leather, Side M-19152-L Gray Broadcloth	8L 7231600-E	1
49	9L72	L.H.-Top Gray Leather, Side M-19152-L Gray Broadcloth	8L 7231601-E	1
49	9L72	R.H.-Top Gray Bedford Leather, Side M-19152-T Blue Gray Broadcloth	8L 7231600-G	1
49	9L72	L.H.-Top Gray Bedford Leather, Side M-19152-T Blue Gray Broadcloth	8L 7231601-G	1
49	9L72	R.H.-Top Gray Bedford Leather, Side M-19152-V Dark Gray Broadcloth	8L 7231600-J	1
49	9L72	L.H.-Top Gray Bedford Leather, Side M-19152-V Dark Gray Broadcloth	8L 7231601-J	1
49	9L72	R.H.-Top Dark Gray Leather, Side M-19105-J Gray Shadow Stripe Broadcloth	8L 7231600-M	1
49	9L72	L.H.-Top Dark Gray Leather, Side M-19105-J Gray Shadow Stripe Broadcloth	8L 7231601-M	1
49	9L72	R.H.-Top Dark Green Leather, Side M-19105-G Green Shadow Stripe Broadcloth	8L 7231600-K	1
49	9L72	L.H.-Top Dark Green Leather, Side M-19105-G Green Shadow Stripe Broadcloth	8L 7231601-K	1
49	9L72	R.H.-Top Dark Tan Leather, Side M-19105-H Tan Shadow Stripe Broadcloth	8L 7231600-L	1
49	9L72	L.H.-Top Dark Tan Leather, Side M-19105-H Tan Shadow Stripe Broadcloth	8L 7231601-L	1
49	9L72	R.H.-Top Brown Taupe Leather, Side M-19152-M Brown Taupe Broadcloth	8L 7231600-F	1
49	9L72	L.H.-Top Brown Taupe Leather, Side M-19152-M Brown Taupe Broadcloth	8L 7231601-F	1
49	9L74	R.H.-Top Gray Leather, Side M-19152-L Gray Broadcloth	8L 7331600-A	1
49	9L74	L.H.-Top Gray Leather, Side M-19152-L Gray Broadcloth	8L 7331601-A	1
49	9L74	R.H.-Top Gray Bedford Leather, Side M-19152-T Blue Gray Broadcloth	8L 7331600-B	1
49	9L74	L.H.-Top Gray Bedford Leather, Side M-19152-T Blue Gray Broadcloth	8L 7331601-B	1
49	9L74	R.H.-Top Gray Bedford Leather, Side M-19152-T Blue Gray Broadcloth	8L 7331600-C	1
49	9L74	L.H.-Top Gray Bedford Leather, Side M-19152-T Blue Gray Broadcloth	8L 7331601-C	1
49	9L74	R.H.-Top Gray Bedford Leather, Side M-19152-V Dark Gray Broadcloth	8L 7331600-J	1
49	9L74	L.H.-Top Gray Bedford Leather, Side M-19152-V Dark Gray Broadcloth	8L 7331601-J	1
49	9L74	R.H.-Top Dark Gray Leather, Side M-19105-J Gray Shadow Stripe Broadcloth	8L 7431600-F	1
49	9L74	L.H.-Top Dark Gray Leather, Side M-19105-J Gray Shadow Stripe Broadcloth	8L 7431601-F	1
49	9L74	R.H.-Top Dark Green Leather, Side M-19105-G Green Shadow Stripe Broadcloth	8L 7431600-D	1
49	9L74	L.H.-Top Dark Green Leather, Side M-19105-G Green Shadow Stripe Broadcloth	8L 7431601-D	1
49	9L74	R.H.-Top Dark Tan Leather, Side M-19105-H Tan Shadow Stripe Broadcloth	8L 7431600-E	1
49	9L74	L.H.-Top Dark Tan Leather, Side M-19105-H Tan Shadow Stripe Broadcloth	8L 7431601-E	1
49	9L74	R.H.-Top Brown Taupe Leather, Side M-19152-M Brown Taupe Broadcloth	8L 7331600-B	1
49	9L74	L.H.-Top Brown Taupe Leather, Side M-19152-M Brown Taupe Broadcloth	8L 7331601-B	1

Lincoln and Lincoln Cosmopolitan

BODY PARTS CATALOGUE

YEAR 19	BODY TYPES	REMARKS	PART NUMBER	NO. REQ'D
Group 31600-1 REST ASSEMBLY (REAR QUARTER ARM)-CONTINUED				
49	9L76	R.H.-Top Blue Leather, Side M-5085-S Blue Bedford Cord	△8L 7631600-D	1
49	9L76	L.H.-Top Blue Leather, Side M-5085-S Blue Bedford Cord	△8L 7631601-D	1
49	9L76	R.H.-Top Blue Leather, Side M-5085-S Blue Bedford Cord	●8L 7631600-H	1
49	9L76	L.H.-Top Blue Leather, Side M-5085-S Blue Bedford Cord	●8L 7631601-H	1
49	9L76	R.H.-Top Green Leather, Side M-5085-Q Green Bedford Cord	△8L 7631600-C	1
49	9L76	L.H.-Top Green Leather, Side M-5085-Q Green Bedford Cord	△8L 7631601-C	1
49	9L76	R.H.-Top Green Leather, Side M-5085-Q Green Bedford Cord	●8L 7631600-G	1
49	9L76	L.H.-Top Green Leather, Side M-5085-Q Green Bedford Cord	●8L 7631601-G	1
49	9L76	R.H.-Top Red Leather, Side M-5085-P Tan Bedford Cord	△8L 7631600-A	1
49	9L76	L.H.-Top Red Leather, Side M-5085-P Tan Bedford Cord	△8L 7631601-A	1
49	9L76	R.H.-Top Red Leather, Side M-5085-P Tan Bedford Cord	●8L 7631600-E	1
49	9L76	L.H.-Top Red Leather, Side M-5085-P Tan Bedford Cord	●8L 7631601-E	1
49	9L76	R.H.-Top Tan Leather, Side M-5085-P Tan Bedford Cord	△8L 7631600-B	1
49	9L76	L.H.-Top Tan Leather, Side M-5085-P Tan Bedford Cord	△8L 7631601-B	1
49	9L76	R.H.-Top Tan Leather, Side M-5085-P Tan Bedford Cord	●8L 7631600-F	1
49	9L76	L.H.-Top Tan Leather, Side M-5085-P Tan Bedford Cord	●8L 7631601-F	1
49	9H72	R.H.-Top Blue Gray Leather, Side M-19101-L Blue Gray Broadcloth	8H 7231600-A	1
49	9H72	L.H.-Top Blue Gray Leather, Side M-19101-L Blue Gray Broadcloth	8H 7231601-A	1
49	9H72	R.H.-Top Blue Gray Leather, Side M-19104-D Blue Stripe Broadcloth	8H 7231600-D	1
49	9H72	L.H.-Top Blue Gray Leather, Side M-19104-D Blue Stripe Broadcloth	8H 7231601-D	1
49	9H72	R.H.-Top Dark Gray Leather, Side M-19106-G Light Gray Plain Broadcloth	8H 7231600-H	1
49	9H72	L.H.-Top Dark Gray Leather, Side M-19106-G Light Gray Plain Broadcloth	8H 7231601-H	1
49	9H72	R.H.-Top Dark Green Leather, Side M-19106-A Light Green Plain Broadcloth	8H 7231600-F	1
49	9H72	L.H.-Top Dark Green Leather, Side M-19106-A Light Green Plain Broadcloth	8H 7231601-F	1
49	9H72	R.H.-Top Green Gray Leather, Side M-19104-C Green Gray Broadcloth	8H 7231600-C	1
49	9H72	L.H.-Top Green Gray Leather, Side M-19104-C Green Gray Broadcloth	8H 7231601-C	1
49	9H72	R.H.-Top Tan Leather, Side M-19101-T Brown Stripe Broadcloth	8H 7231600-B	1
49	9H72	L.H.-Top Tan Leather, Side M-19101-T Brown Stripe Broadcloth	8H 7231601-B	1
49	9H72	R.H.-Top Dark Tan Leather, Side M-19106-C Light Tan Plain Broadcloth	8H 7231600-G	1
49	9H72	L.H.-Top Dark Tan Leather, Side M-19106-C Light Tan Plain Broadcloth	8H 7231601-G	1
49	9H76	R.H.-Blue Leather	8H 7631600-D	1
49	9H76	L.H.-Blue Leather	8H 7631601-D	1
49	9H76	R.H.-Top Blue Leather, Side M-19146-M Blue Whipcord	8H 7631600-S	1
49	9H76	L.H.-Top Blue Leather, Side M-19146-M Blue Whipcord	8H 7631601-S	1
49	9H76	R.H.-Green Leather	8H 7631600-C	1
49	9H76	L.H.-Green Leather	8H 7631601-C	1
49	9H76	R.H.-Top Green Leather, Side M-19146-L Green Whipcord	8H 7631600-Q	1
49	9H76	L.H.-Top Green Leather, Side M-19146-L Green Whipcord	8H 7631601-Q	1
49	9H76	R.H.-Lime Green Leather	8H 7631600-F	1
49	9H76	L.H.-Lime Green Leather	8H 7631601-F	1
49	9H76	R.H.-Top Lime Green Leather, Side M-19146-N Yellow Beige Whipcord	8H 7631600-U	1
49	9H76	L.H.-Top Lime Green Leather, Side M-19146-N Yellow Beige Whipcord	8H 7631601-U	1
49	9H76	R.H.-Red Leather	8H 7631600-A	1
49	9H76	L.H.-Red Leather	8H 7631601-A	1
49	9H76	R.H.-Red & Light Neutral Gray Leather-Combination Trim	8H 7631600-G	1
49	9H76	L.H.-Red & Light Neutral Gray Leather-Combination Trim	8H 7631601-G	1
49	9H76	R.H.-Top Red Leather, Side M-19146-K Beige Whipcord	8H 7631600-N	1
49	9H76	L.H.-Top Red Leather, Side M-19146-K Beige Whipcord	8H 7631601-N	1

△ Used on cars having front seat with metal stationary foot rest welded to seat frame.

● Used on cars having front seat without foot rest.

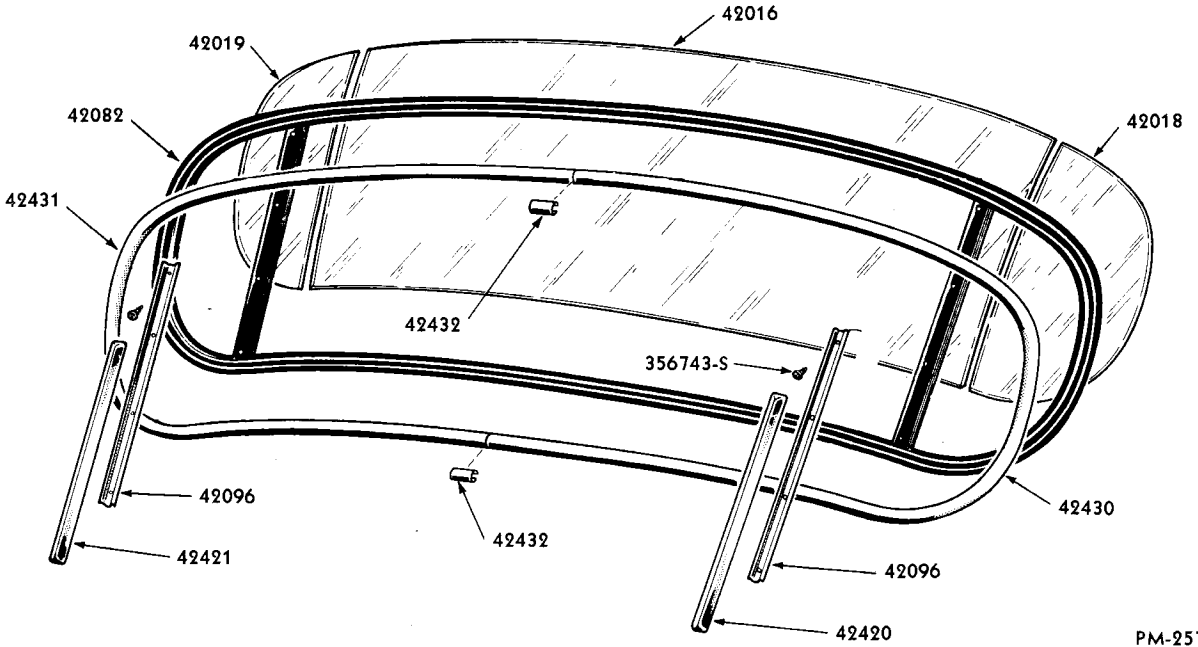
Lincoln and Lincoln Cosmopolitan

BODY PARTS CATALOGUE

YEAR 19__	BODY TYPES	REMARKS	PART NUMBER	NO. REQ'D
Group 31632 BRACKET (REAR QUARTER ARM REST TO WHEELHOUSE)				
49	9H72		8H 7231632	2
Group 31740 PLATE (REAR QUARTER ARM REST ATTACHING)				
49	9L72		8L 7231740	2
Group 31796-9 MOULDING (REAR QUARTER ARM REST)				
49	9L76	R.H.	8L 7631798	1
49	9L76	L.H.	8L 7631799	1
49	9H76	front-Rustless Steel	8H 7631796-A	2
49	9H76	front-Chrome Finish	8H 7631796-B	2
49	9H76	R.H.-rear-Rustless Steel	8H 7631798-A	1
49	9H76	L.H.-rear-Rustless Steel	8H 7631799-A	1
49	9H76	R.H.-rear-Chrome Finish	8H 7631798-B	1
49	9H76	L.H.-rear-Chrome Finish	8H 7631799-B	1
Group 32400-1 TRIM ASSEMBLY (QUARTER FOLDING COMPARTMENT SIDE)				
49	9L76	R.H.	8M 7632400	1
49	9L76	L.H.	8M 7632401	1
Group 40110 DOOR ASSEMBLY (LUGGAGE COMPARTMENT)-WITH LOCK				
49	9H except 73	replaced by one each 8H-7240112, 8H-7343200 and 7EH-7343249	8H 7240110	1
49	9H73	replaced by one each 8H-7340112, 8H-7343200 and 7EH-7343249	8H 7340110	1
49	9H	Lockwasher-1/4"	34805-S2	4
49	9H	Screw (round head)-1/4"-20 x 1/2"	26483-S7	4
Group 40112 DOOR ASSEMBLY (LUGGAGE COMPARTMENT)-WITHOUT LOCK				
49	9L		8M 7240112	1
49	9H except 73		8H 7240112	1
49	9H73		8H 7340112	1
49	9H	Lockwasher-1/4"	34805-S2	4
49	9H	Screw (round head)-1/4"-20 x 1/2"	26483-S7	4
Group 40310 PANEL ASSEMBLY (BODY UPPER BACK)				
49	9L76		8M 7640310	1
Group 40314 PANEL (UPPER BACK BODY)				
49	9H72-74		8H 7240314	1
49	9H76		8H 7640314	1
Group 40320 PANEL ASSEMBLY (LOWER BACK BODY)				
49	9L		8M 7240320	1
49	9H except 73		8H 7240320	1
49	9H73		8H 7340320	1
Group 40440-1 REINFORCEMENT (BODY LOWER PANEL TO REAR FENDER)				
49	9L	R.H.	8L 7340440	1
49	9L	L.H.	8L 7340441	1
49	9L	Nut (speed)-No. 14-A	355880-S32	8
49	9L	Screw (hex washer head)-No. 14-10 x 1/2"	31527-S7	8

Lincoln and Lincoln Cosmopolitan

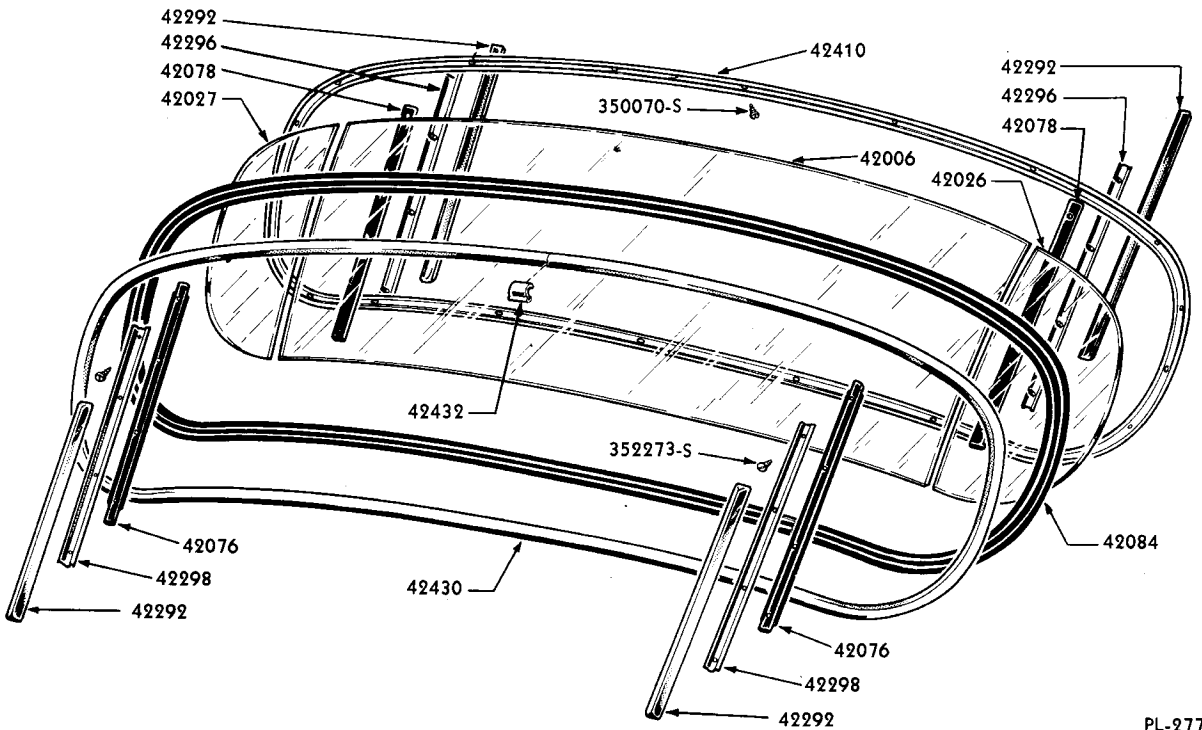
BODY PARTS CATALOGUE



PM-257

LINCOLN REAR WINDOW

Group numbers only shown on illustration. Order by Part Numbers shown in list of parts.



PL-277

LINCOLN COSMOPOLITAN REAR WINDOW

Group numbers only shown on illustration. Order by Part Numbers shown in list of parts.

Lincoln and Lincoln Cosmopolitan

BODY PARTS CATALOGUE

YEAR 19	BODY TYPES	REMARKS	PART NUMBER	NO. REQ'D
Group 41700 RAIL ASSEMBLY (BACK BELT)				
49	9H76		8H 7641700	1
Group 41716 REINFORCEMENT ASSEMBLY (BACK BELT FLANGING STRIP AND LUGGAGE COMPARTMENT)				
49	9L76		8M 7641716	1
Group 41742-3 PILLAR AND STRIP ASSEMBLY (QUARTER LOCK)				
49	9L76	R.H.	8M 7641742	1
49	9L76	L.H.	8M 7641743	1
Group 41774 MOULDING (BACK BELT FINISH)				
49	9L76	approximately 58-31/32" long	8M 7641774-A	1
49	9L76	Stud (narrow head)-No. 8 x 7/8"	352392-S13	9
Group 41780 MOULDING (REAR BELT RAIL)				
49	9H76	57-1/16" long	8H 7641780	1
49	9H76	Stud (narrow head)-No. 8 x 7/8"	352392-S13	9
Group 41786 WELT ASSEMBLY (BACK BELT RAIL)				
49	9L76	72" long-Black-Black Binding	8M 7641786-B	1
49	9L76	72" long-Black-Red Binding	8M 7641786-C	1
49	9L76	72" long-Blue-Blue Binding	8L 7641786-A	1
49	9L76	72" long-Gray Tan-Gray Tan Binding	8M 7641786-A	1
49	9L76	72" long-Green-Green Binding	8M 7641786-D	1
Group 42006 GLASS (BACK WINDOW)-CENTER				
49	9H except 76		7EH 7342006	1
Group 42016 GLASS (BACK WINDOW)-CENTER				
49	9L except 76		8M 7242016	1
Group 42018-9 GLASS (BACK WINDOW)-END				
49	9L except 76	R.H.	8M 7242018	1
49	9L except 76	L.H.	8M 7242019	1
Group 42026-7 GLASS (BACK WINDOW)-END				
49	9H72-74	R.H.	7EH 7242026	1
49	9H72-74	L.H.	7EH 7242027	1
49	9H73	R.H.	7EH 7342026	1
49	9H73	L.H.	7EH 7342027	1
Group 42054 INSERT (BACK WINDOW WEATHERSTRIP)				
49	9L except 76	Rubber-14-13/32" long	8M 7242054-A	1
Group 42076 BAR (BACK WINDOW DIVISION)-OUTER				
49	9H except 76	Rubber	7EH 7342076	2

Lincoln and Lincoln Cosmopolitan

BODY PARTS CATALOGUE

YEAR 19	BODY TYPES	REMARKS	PART NUMBER	NO. REQ'D
Group 42078 BAR (BACK WINDOW DIVISION)-INNER				
49	9H except 76	Rubber	7EH 7342078	2
Group 42082 WEATHERSTRIP (BACK WINDOW)				
49	9L except 76	replaced by one each of 8M-7242082-B, 8M-7242420-1-B, 8M-7242430-1-C and two each of 8M-7242096-B & 8M-7242432-B-use with four piece moulding	8M 7242082-A	1
49	9L except 76	use with two piece moulding	8M 7242082-B	1
Group 42084 WEATHERSTRIP (BACK WINDOW OPENING)				
49	9H72-74		8H 7242084	1
49	9H73		8H 7342084	1
Group 42096 RETAINER (BACK WINDOW DIVISION BAR MOULDING)-OUTER				
49	9L except 76	use with 8M-7242082-A weatherstrip	8M 7242096-A	2
49	9L except 76	use with 8M-7242082-B weatherstrip	8M 7242096-B	2
49	9L except 76	Screw (Phillips binding head)-No. 10-32 x 3/8"	356743-88	8
Group 42292 MOULDING (BACK WINDOW DIVISION BAR)-INNER AND OUTER				
49	9H except 76	Rustless Steel	7EH 7342292-A	4
49	9H except 76	Chrome Finish	7EH 7342292-B	4
Group 42296 RETAINER ASSEMBLY (BACK WINDOW DIVISION BAR MOULDING)-INNER				
49	9H except 76		7EH 7342296	2
49	9H except 76	Screw (Phillips binding head)-No. 10-32 x 3/4"	352273-88	8
Group 42298 RETAINER (BACK WINDOW DIVISION BAR MOULDING)-OUTER				
49	9H except 76		7EH 7342298	2
49	9H except 76	Screw (Phillips binding head)-No. 10-32 x 3/4"	352273-88	8
Group 42404 MOULDING (BACK WINDOW OUTSIDE)-UPPER AND LOWER				
49	9L except 76	use with four piece moulding	8M 7242404-A	2
Group 42410 STRIP (BACK WINDOW FINISH)-INSIDE				
49	9H72-74	Blue Metallic Finish	8H 7242410-AAC	1
49	9H72-74	Gold Fleck Dark Gray Metallic Finish	7EH 7242410-C	1
49	9H72-74	Green Metallic Finish	8H 7242410-AAB	1
49	9H72-74	Tan Metallic Finish	8H 7242410-AAA	1
49	9H72-74	in Prime	8H 7242410-AP	1
49	9H73	Blue Metallic Finish-replaced by 7EH-7342410-AP	7EH 7342410-AAC	1
49	9H73	Gold Fleck Dark Gray Metallic Finish	7EH 7342410-C	1
49	9H73	Green Metallic Finish	7EH 7342410-AAB	1
49	9H73	Tan Metallic Finish	7EH 7342410-AAA	1
49	9H73	in Prime	7EH 7342410-AP	1
49	9H except 76	Screw (oval head self tapping)-No. 8 x 7/8"	350067-S13	12
49	9H except 76	Screw (Phillips head)-No. 8 x 1-1/2"	350070-S13	4

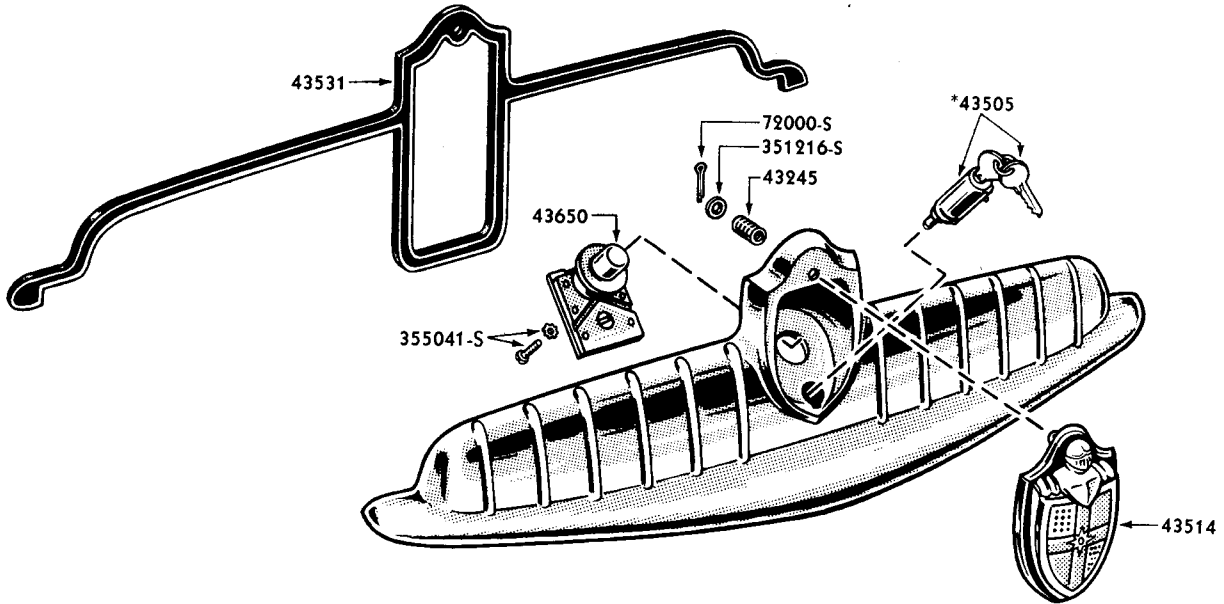
Lincoln and Lincoln Cosmopolitan

BODY PARTS CATALOGUE

YEAR 19	BODY TYPES	REMARKS	PART NUMBER	NO. REQ'D
Group 42415 HEADLINING (UNDER BACK WINDOW)				
49	9L except 76	M-19162-L-Blue Green Headlining	8L 7242415-A	1
49	9L except 76	M-19164-A-Blue Green Headlining	8L 7242415-D	1
49	9L except 76	M-19162-M-Brown Taupe Headlining	8L 7242415-B	1
49	9L except 76	M-19162-N-Gray Headlining	8L 7242415-C	1
49	9L except 76	M-19164-C-Gray Headlining	8L 7242415-F	1
49	9L except 76	M-19164-F-Light Gray Headlining	8L 7242415-J	1
49	9L except 76	M-19164-D-Light Green Headlining	8L 7242415-G	1
49	9L except 76	M-19164-B-Tan Headlining	8L 7242415-E	1
49	9L except 76	M-19164-E-Light Tan Headlining	8L 7242415-H	1
Group 42420-1 MOULDING (BACK WINDOW DIVISION BAR)-OUTSIDE				
49	9L except 76	R.H.-use with four piece moulding	8M 7242420-A	1
49	9L except 76	L.H.-use with four piece moulding	8M 7242421-A	1
49	9L except 76	R.H.-use with two piece moulding-Rustless Steel	8M 7242420-B	1
49	9L except 76	L.H.-use with two piece moulding-Rustless Steel	8M 7242421-B	1
49	9L72-74	R.H.-use with two piece moulding-Chrome Finish	8L 7242420	1
49	9L72-74	L.H.-use with two piece moulding-Chrome Finish	8L 7242421	1
49	9H except 76	replaced by 7EH 7342292	7EH 7342420	2
Group 42426-8 RETAINER (BACK WINDOW MOULDING)				
49	9L except 76	40-1/2" long	8M 7242426	2
49	9L except 76	6" long	8M 7242427	2
49	9L except 76	5/8" long	8M 7242428	4
49	9L except 76	Screw (binding head self tapping)-No. 8 x 3/4"	32872-S7	as req'd
49	9L72-74	Screw (Phillips binding head)-No. 10-32 x 3/8"	356743-88	8
Group 42430 MOULDING (BACK WINDOW FINISH)-OUTSIDE				
49	9H72-74	Rustless Steel	7EH 7242430-A	1
49	9H72-74	Chrome Finish	7EH 7242430-B	1
49	9H73	Rustless Steel	7EH 7342430-A	1
49	9H73	Chrome Finish	7EH 7342430-B	1
49	9H72-74	Clip (moulding retainer)	358117-S3	13
Group 42430-1 MOULDING (BACK WINDOW OUTSIDE)-END				
49	9L except 76	R.H.-use with four piece style moulding	8M 7242430-A	1
49	9L except 76	L.H.-use with four piece style moulding	8M 7242431-A	1
49	9L except 76	R.H.-use with two piece style moulding-Rustless Steel	8M 7242430-C	1
49	9L except 76	L.H.-use with two piece style moulding-Rustless Steel	8M 7242431-C	1
49	9L except 76	R.H.-use with two piece style moulding-Chrome Finish	8L 7242430	1
49	9L except 76	L.H.-use with two piece style moulding-Chrome Finish	8L 7242431	1
Group 42432 COVER (BACK WINDOW OUTSIDE MOULDING JOINT)				
49	9L except 76	1" long-use with four piece style moulding-Rustless Steel	8M 7242432-A	4
49	9L except 76	1" long-use with two piece style moulding-Rustless Steel	8M 7242432-B	2
49	9L except 76	1" long-use with two piece style moulding-Chrome Finish	8L 7242432	1
Group 42432 CLIP (BACK WINDOW FINISH MOULDING)-OUTSIDE				
49	9H except 76	3/4" long-Rustless Steel	7EH 7342432-A	1
49	9H except 76	3/4" long-Chrome Finish	7EH 7342432-B	1

Lincoln and Lincoln Cosmopolitan

BODY PARTS CATALOGUE

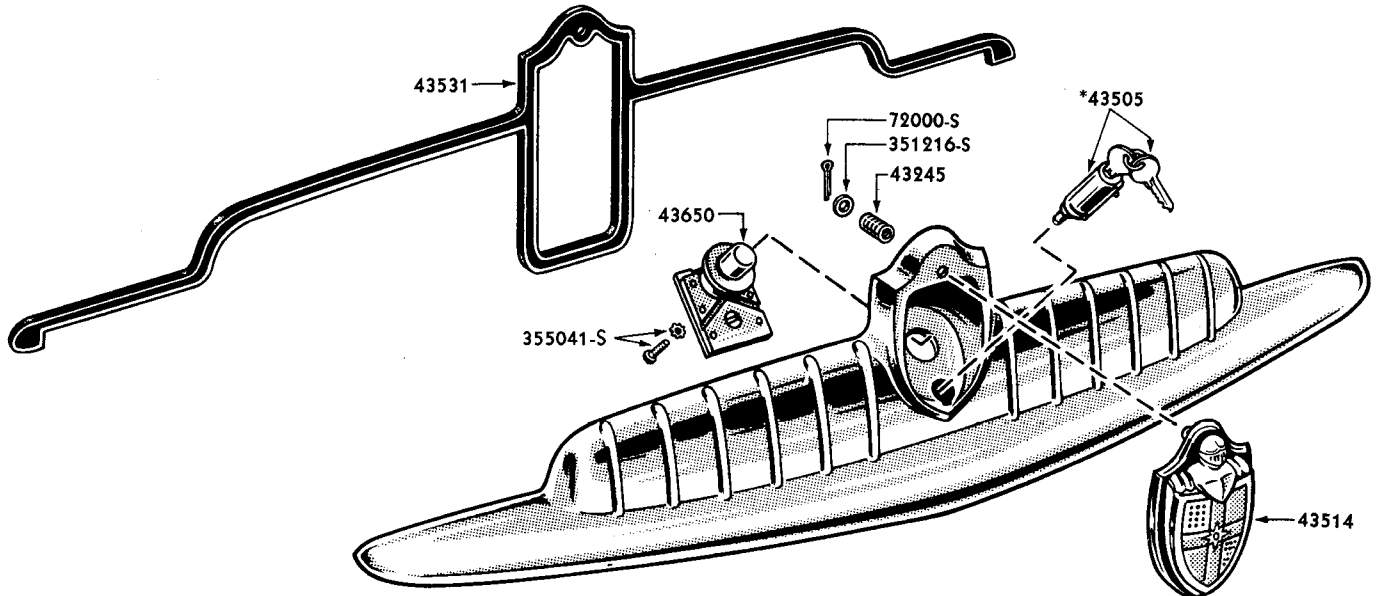


*NOT INCLUDED IN 8L-7043500

PL-270

LINCOLN LUGGAGE COMPARTMENT DOOR HANDLE

Group numbers only shown on illustration. Order by Part Numbers shown in list of parts.



*NOT INCLUDED IN 8H-7343500

PL-271

LINCOLN COSMOPOLITAN LUGGAGE COMPARTMENT DOOR HANDLE

Group numbers only shown on illustration. Order by Part Numbers shown in list of parts.

Lincoln and Lincoln Cosmopolitan

BODY PARTS CATALOGUE

YEAR 19	BODY TYPES	REMARKS	PART NUMBER	NO. REQ'D
Group 42700-1 HINGE ASSEMBLY (LUGGAGE COMPARTMENT DOOR)				
49	9L	R.H.	8M 7242700	1
49	9L	L.H.	8M 7242701	1
49	9H72-74	R.H.	7EH 7242700	1
49	9H72-74	L.H.	7EH 7242701	1
49	9H73	includes spring	7EH 7342700	2
49	9H76	R.H.	8H 7642700	1
49	9H76	L.H.	8H 7642701	1
49	9L	Bolt (hex head pointed)-5/16"-24 x 3/4"-deck lid to deck lid hinge support	24347-S2	4
49	9H except 73	Bolt (hex head)-5/16"-24 x 9/16"	20327-S2	8
49	9H73	Bolt (hex head)-5/16"-24 x 3/4"	20347-S2	8
49	9L76	Locknut (hex)-5/16"-24	34393-S7	4
49	9L	Locknut (hex light thick)-5/16"-24 hinge to support	34393-S7	6
49	9L	Lockwasher-5/16"-hinge to deck lid	34806-S2	4
49	9H except 73	Lockwasher-5/16"	34826-S7	8
49	9H73	Lockwasher-5/16"	34846-S2	8
49	9L	Washer (flat)-5/16"	34746-S2	14
49	9H73	Washer (plain)-5/16"	356301-S7	16
Group 42770-6 PAD (LUGGAGE COMPARTMENT DOOR HINGE)				
49	9H72-74	on body	7EH 7242770	2
49	9H72-74-76	on door	7EH 7242776	2
49	9H76	on body	8H 7642770	2
Group 43200 LOCK ASSEMBLY (LUGGAGE COMPARTMENT DOOR)				
49	9L,9H		8H 7343200	1
49	9L	Nut (hex head)-1/4"-20	33795-S7	2
49	9L except 76	Locknut (hex head)-1/4"-20	34390-S7	4
49	9L except 76	Screw (round head)-1/4"-20 x 1/2"	39050-S2	4
49	9H	Screw and lockwasher assy (oval head)-No. 10-32 x 7/16"	352295-S8	4
Group 43245 SPRING (LUGGAGE COMPARTMENT DOOR HANDLE KEYHOLE COVER)				
49	9L,9H		7EH 7343245	1
Group 43246 LATCH PIN AND PLATE ASSEMBLY (LUGGAGE COMPARTMENT)				
49	9L		8M 7043246	1
49	9H		8H 7343246	1
49	9L	Bolt (flat head)-1/4"-28 x 1/2"	36003-S8	2
49	9H	Bolt and lockwasher assy-1/4"-28 x 1/2"	42907-S8	2
49	9L,9H	Washer (shakeproof)-No. 16	34955-S7	2
Group 43249 SUPPORT (LUGGAGE COMPARTMENT DOOR LOCK)				
49	9L		8M 7243249-B	1
49	9H		7EH 7343249	1
Group 43256 PLATE (LUGGAGE COMPARTMENT LATCH PIN TAPPING)				
49	9L,9H		26H 7343256	1

Lincoln and Lincoln Cosmopolitan

BODY PARTS CATALOGUE

YEAR 19	BODY TYPES	REMARKS	PART NUMBER	NO. REQ'D
Group 43500 HANDLE ASSEMBLY (LUGGAGE COMPARTMENT DOOR)-COMPLETE LESS CYLINDER AND KEYS				
49	9L	with studs	8L 7043500-A	1
49	9L	without studs	8L 7043500-B	1
49	9H		8H 7343500	1
49	9L,9H	Cotter pin-3/8" x 1/16"	72000-S7	1
49	9L except 76,9H	Lockwasher-No. 10	34803-S7	5
49	9L except 76,9H	Nut-No. 10-32	34079-S7	5
49	9L,9H	Screw (round head)-No. 8-32 x 1/2"	42653-S8	2
49	9H	Screw (round head No. 2 fit)-No. 10-32 x 5/16"	27063-S2	3
49	9H	Screw and lockwasher assy (oval head)-1/4"-20 x 39/64"	355313-S2	2
49	9L,9H	Stud-No. 10-32 x 3/4"	357670-S7	5
49	9H	Washer (flat)-No. 10	34703-S7	2
Group 43505 CYLINDER ASSEMBLY (LUGGAGE COMPARTMENT LOCK)-WITH KEYS				
49	9L,9H		8H 7343505	1
Group 43514 EMBLEM (LUGGAGE COMPARTMENT DOOR HANDLE KEYHOLE COVER ASSEMBLY)				
49	9L,9H		8H 7343514	1
49	9L,9H	Cotter pin-1/16" x 3/8"	72000-S7	1
49	9L,9H	Washer (flat)-13/64" I.D. x 3/8"	351216-S7	1
Group 43531 PAD (LUGGAGE COMPARTMENT DOOR HANDLE)				
49	9L	Rubber	8L 7043531-A	1
49	9H	Rubber	7EH 7343531-A	1
Group 43557 BRACKET (LUGGAGE COMPARTMENT TRIM PANEL WHEELHOUSE)				
49	9L except 76		8M 7043557	2
Group 43614 BUTTON ASSEMBLY (DECK LID PUSH)				
49	9L,9H	replaced by 8H 7343650	8H 7343614	1
Group 43620 TUBE AND BOLT ASSEMBLY (DECK LID)				
49	9L,9H	replaced by 8H 7343650	8H 7343620	1
Group 43626 SPRING (DECK LID BUTTON CONNECTOR)				
49	9L,9H	replaced by 8H 7343650	8H 7343626	1
Group 43628 ROD (DECK LID CONNECTING)				
49	9L,9H	replaced by 8H 7343650	8H 7343628	1
Group 43630 HOUSING (DECK HANDLE PUSH BUTTON BOLT SLIDE)				
49	9L,9H	replaced by 8H 7343650	8H 7343630	1
Group 43632 SPRING (DECK LID LOCK BOLT)				
49	9L,9H	replaced by 8H 7343650	8H 7343632	1

Lincoln and Lincoln Cosmopolitan

BODY PARTS CATALOGUE

YEAR 19	BODY TYPES	REMARKS	PART NUMBER	NO. REQ'D
Group 43650 PUSH BUTTON AND SLIDE UNIT ASSEMBLY (DECK LID HANDLE)				
49	9L,9H		8H 7343650	1
49	9L,9H	Screw and washer assy (flat head)-No. 8-32	355041-S7	2
Group 43720 WEATHERSTRIP (LUGGAGE COMPARTMENT DOOR)				
49	9L	one piece type	8M 7243720-C	1
49	9H except 73	151" long	8H 7243720-B	1
49	9H73	144" long-replaced by 8H-7243720-B	8H 7343720-A	1
Group 43724 WEATHERSTRIP (LUGGAGE COMPARTMENT DOOR)-TOP AND SIDES				
49	9L	120-1/4" long-replaced by 8M-7243720-C	8M 7243724-B	1
Group 43728 WEATHERSTRIP (LUGGAGE COMPARTMENT DOOR)-BOTTOM				
49	9L	42" long-replaced by 8M-7243720-C	8M 7243728-B	1
Group 44200-1 ARM ASSEMBLY (LUGGAGE COMPARTMENT DOOR SUPPORT)				
49	9H except 73	R.H.	7EH 7244200	1
49	9H except 73	L.H.	7EH 7244201	1
49	9H except 73	Bolt (hex-hd shoulder)-3/8"-24 x 1.03"-support arm to body	350519-S7	2
49	9H except 73	Lockwasher-3/8"-arm assy to body	34807-S2	2
49	9H except 73	Lockwasher (light)-5/16"	34826-S7	4
49	9H except 73	Screw (hex head)-5/16"-24 x 1"-arm bracket to lid	20387-S2	4
49	9H except 73	Washer (plain)-5/16"-arm bracket to lid	351359-S7	4
49	9H except 73	Washer (spring)-1/2"	351473-S7	2
49	9H except 73	Washer (special flat)-33/64" x 51/64"	356453-S7	2
Group 44214 SHIM (DECK LID LATCH PLATE)				
49	9H		8H 7344214	as req'd
Group 44218-9 BRACKET ASSEMBLY (LUGGAGE COMPARTMENT DOOR SUPPORT ARM)				
49	9H except 73	L.H.	7EH 7244219	1
49	9H except 73	R.H.	7EH 7244218	1
Group 44236 SPRING (LUGGAGE COMPARTMENT DOOR SUPPORT ARM)				
49	9H except 73		91A 7744236	2
Group 44640 STRAINER (BACK BELT FLANGING STRIP CENTER TO WHEELHOUSE)				
49	9L76		7A 7644640	2
Group 44664-5 BRACKET (BACK BELT FLANGING STRIP CENTER TO WHEELHOUSE STRAINER)				
49	9L76	R.H.	7A 7644664	1
49	9L76	L.H.	7A 7644665	1
Group 44718-9 REINFORCEMENT ASSEMBLY (LUGGAGE COMPARTMENT OPENING UPPER AND CORNER)				
49	9L except 76	R.H.	8M 7244718	1
49	9L76	R.H.	8M 7644718	1
49	9L	L.H.	8M 7244719	1
Group 44726 PLATE (LUGGAGE COMPARTMENT DOOR HINGE TAPPING)-ON BODY				
49	9L76	replaced by 34393-S7	8M 7644726	2
49	9L76	Locknut (hex head)-5/16"-24	34393-S7	as req'd
Group 44808 SUPPORT ASSEMBLY (LUGGAGE COMPARTMENT HINGE)				
49	9H76		8H 7644808	1

Lincoln and Lincoln Cosmopolitan

BODY PARTS CATALOGUE

YEAR 19__	BODY TYPES	REMARKS	PART NUMBER	NO. REQ'D
Group 44830-1 GUSSET (LUGGAGE COMPARTMENT OPENING LOWER CORNER)				
49	9L	R.H.	7A 7044830	1
49	9L	L.H.	7A 7044831	1
Group 44888 SUPPORT (LUGGAGE COMPARTMENT SHELF BOARD)-SIDE REAR				
49	9H		8H 7344888	2
49	9H	Bolt (hex head)-1/4"-20 x 1/2"	20308-S2	4
49	9H	Lockwasher-1/4"	34805-S2	4
Group 45320 STRAP AND BUCKLE ASSEMBLY (BACK CURTAIN SUPPORT)-LOWER				
49	9L76	all tops	8M 7645320	2
49	9H76	all tops	8H 7645320	3
49	9L76	Screw (binding head self tapping)-No. 8 x 1/2"	32923-S8	4
Group 45410-1 LINING ASSEMBLY (LUGGAGE COMPARTMENT)-SIDE REAR				
49	9L	R.H.-all trim-Weaved Style	8M 7045410	1
49	9L except 76	L.H.-all trim-Weaved Style	8M 7045411	1
49	9L76	R.H.-all trim-Weaved Style-for service use 8L-7645416	8L 7645410	1
49	9L76	L.H.-all trim-Weaved Style-for service use 8L-7645417	8L 7645411	1
49	9H72-74	R.H.-Blue Weaved Style	7EH 7245410-B	1
49	9H72-74	L.H.-Blue Weaved Style	7EH 7245411-B	1
49	9H72-74	R.H.-Green Weaved Style	7EH 7245410-C	1
49	9H72-74	L.H.-Green Weaved Style	7EH 7245411-C	1
49	9H72-74	R.H.-Tan Weaved Style	7EH 7245410-A	1
49	9H72-74	L.H.-Tan Weaved Style	7EH 7245411-A	1
49	9H73	R.H.-Blue Weaved Style	7EH 7345410-B	1
49	9H73	L.H.-Blue Weaved Style	7EH 7345411-B	1
49	9H73	R.H.-Green Weaved Style	7EH 7345410-C	1
49	9H73	L.H.-Green Weaved Style	7EH 7345411-C	1
49	9H73	R.H.-Tan Weaved Style	7EH 7345410-A	1
49	9H73	L.H.-Tan Weaved Style	7EH 7345411-A	1
49	9H76	R.H.-Blue Weaved Style	8H 7645410-B	1
49	9H76	L.H.-Blue Weaved Style	8H 7645411-B	1
49	9H76	R.H.-Green Weaved Style	8H 7645410-C	1
49	9H76	L.H.-Green Weaved Style	8H 7645411-C	1
49	9H76	R.H.-Tan Weaved Style	8H 7645410-A	1
49	9H76	L.H.-Tan Weaved Style	8H 7645411-A	1
49	9H	Clip (trim)	355187-S12	2
49	9H except 76	Screw (oval head sheet metal)-No. 6 x 1/2"	32986-S15	4
49	9L,9H	Screw (Phillips oval head self tapping)-No. 8 x 5/8"	350066-S13	2or4
49	9L	Washer (finishing)-No. 8	34885-S15	2
49	9H except 76	Washer (finish)-No. 6	34876-S15	4
Group 45416-7 CARDBOARD (LUGGAGE COMPARTMENT)-SIDE REAR				
49	9L except 76	R.H.-all trim-Two Tone Gray Cardboard	8L 7245416	1
49	9L except 76	L.H.-all trim-Two Tone Gray Cardboard	8L 7245417	1
49	9L76	R.H.-all trim-Two Tone Gray Cardboard	8L 7645416	1
49	9L76	L.H.-all trim-Two Tone Gray Cardboard	8L 7645417	1
49	9H72-74	R.H.-all trim-Two Tone Gray Cardboard	8H 7245416	1
49	9H72-74	L.H.-all trim-Two Tone Gray Cardboard	8H 7245417	1
49	9H73	R.H.-all trim-Two Tone Gray Cardboard	8H 7345416	1
49	9H73	L.H.-all trim-Two Tone Gray Cardboard	8H 7345417	1
49	9H76	R.H.-all trim-Two Tone Gray Cardboard	8H 7645416	1
49	9H76	L.H.-all trim-Two Tone Gray Cardboard	8H 7645417	1
49	9H	Clip (trim)	355187-S12	8

Lincoln and Lincoln Cosmopolitan

BODY PARTS CATALOGUE

YEAR 19	BODY TYPES	REMARKS	PART NUMBER	NO. REQ'D
Group 45443 LINING ASSEMBLY (LUGGAGE COMPARTMENT)-FRONT				
49	9L except 76	all trim-Weaved Style-for service use 8L-7245444-A or 8L-7245444-B	8L 7245443	1
49	9H72-74	Blue Weaved Style	7EH 7245443-B	1
49	9H72-74	Green Weaved Style	7EH 7245443-C	1
49	9H72-74	Tan Weaved Style	7EH 7245443-A	1
49	9H73	Blue Weaved Style	7EH 7345443-B	1
49	9H73	Green Weaved Style	7EH 7345443-C	1
49	9H73	Tan Weaved Style	7EH 7345443-A	1
49	9H76	Blue Weaved Style	8H 7645443-B	1
49	9H76	Green Weaved Style	8H 7645443-C	1
49	9H76	Tan Weaved Style	8H 7645443-A	1
49	9L	Clip (trim)	355187-S12	4
49	9H except 76	Fastener (trim)	353302-S2	2
Group 45444 CARDBOARD (LUGGAGE COMPARTMENT)-FRONT				
49	9L except 76	all trim-use with inner Wheelhouse housing 6-31/32" bulge	8L 7245444-B	1
49	9L except 76	all trim-use with inner Wheelhouse housing 8-1/16" bulge	8L 7245444-C	1
49	9L76	all trim-use with inner Wheelhouse housing 6-31/32" bulge	8L 7645444-A	1
49	9L76	all trim-use with inner Wheelhouse housing 8-1/16" bulge	8L 7645444-B	1
49	9H72-74	all trim	8H 7245444	1
49	9H73	all trim	8H 7345444	1
49	9H76	all trim	8H 7645444	1
49	9H	Clip (trim)	355187-S12	2
Group 45456 MAT (LUGGAGE COMPARTMENT FLOOR)				
49	9L	use with inner Wheelhouse having 6-31/32" bulge	8L 7245456-A	1
49	9L	use with inner Wheelhouse having 8-1/16" bulge	8L 7245456-B	1
Group 45456 COVER ASSEMBLY (LUGGAGE COMPARTMENT SHELF)				
49	9H72-74	Blue Weaved Style	7EH 7245456-B	1
49	9H72-74	Green Weaved Style	7EH 7245456-C	1
49	9H72-74	Tan Weaved Style	7EH 7245456-A	1
49	9H73-76	Blue Weaved Style	7EH 7345456-B	1
49	9H73-76	Green Weaved Style	7EH 7345456-C	1
49	9H73-76	Tan Weaved Style	7EH 7345456-A	1
Group 45460 COVER (LUGGAGE COMPARTMENT FLOOR)-FRONT				
49	9H72-74	R.H.-Rubber	8H 7245460	1
49	9H72-74	L.H.-Rubber	8H 7245461	1
49	9H73	R.H.-Rubber	8H 7345460	1
49	9H73	L.H.-Rubber	8H 7345461	1
Group 45464 FILLER (LUGGAGE COMPARTMENT)-TIRE WELL				
49	9L	Rubber	8L 7245464	1
Group 45466-7 COVER (LUGGAGE COMPARTMENT)-QUARTER WHEELHOUSE				
49	9L except 76	L.H.-Rubber-use with inner Wheelhouse having 6-31/32" bulge	8L-7245466-A	1
49	9L except 76	L.H.-Rubber-use with inner Wheelhouse having 6-31/32" bulge	8L-7245467-A	1
49	9L except 76	R.H.-Rubber-use with inner Wheelhouse having 8-1/16" bulge	8L-7245466-B	1
49	9L except 76	L.H.-Rubber-use with inner Wheelhouse having 8-1/16" bulge	8L-7245467-B	1
49	9L76	R.H.-Rubber-use with inner Wheelhouse having 6-31/32" bulge	8L 7645466-A	1
49	9L76	L.H.-Rubber-use with inner Wheelhouse having 6-31/32" bulge	8L 7645467-A	1
49	9L76	R.H.-Rubber-use with inner Wheelhouse having 8-1/16" bulge	8L 7645466-B	1
49	9L76	L.H.-Rubber-use with inner Wheelhouse having 8-1/16" bulge	8L 7645467-B	1
49	9H72-74	R.H.-Rubber	8H 7245466	1
49	9H72-74	L.H.-Rubber	8H 7245467	1

Lincoln and Lincoln Cosmopolitan

BODY PARTS CATALOGUE

YEAR 19__	BODY TYPES	REMARKS	PART NUMBER	NO. REQ'D
Group 45466-7 COVER (LUGGAGE COMPARTMENT)-QUARTER WHEELHOUSE-CONTINUED				
49	9H73	R.H.-Rubber	8H 7345466	1
49	9H73	L.H.-Rubber	8H 7345467	1
Group 45472-3 COVER ASSEMBLY (LUGGAGE COMPARTMENT)-SIDE FRONT				
49	9L except 76	R.H. all trim-Weaved Style-for service use 8L-7245466-A or 8L-7245466-B	8L-7245472	1
49	9L except 76	L.H. all trim-Weaved Style-for service use 8L-7245467-A or 8L-7245467-B	8L-7245473	1
49	9L76	R.H.-all trim-Weaved Style	8L 7645472	1
49	9L76	L.H.-all trim-Weaved Style	8L 7645473	1
49	9H except 76	R.H.-Blue Weaved Style	7EH 7345472-B	1
49	9H except 76	L.H.-Blue Weaved Style	7EH 7345473-B	1
49	9H except 76	R.H.-Green Weaved Style	7EH 7345472-C	1
49	9H except 76	L.H.-Green Weaved Style	7EH 7345473-C	1
49	9H except 76	R.H.-Tan Weaved Style	7EH 7345472-A	1
49	9H except 76	L.H.-Tan Weaved Style	7EH 7345473-A	1
49	9H76	R.H.-Blue Weaved Style	8H 7645472-B	1
49	9H76	L.H.-Blue Weaved Style	8H 7645473-B	1
49	9H76	R.H.-Green Weaved Style	8H 7645472-C	1
49	9H76	L.H.-Green Weaved Style	8H 7645473-C	1
49	9H76	R.H.-Tan Weaved Style	8H 7645472-A	1
49	9H76	L.H.-Tan Weaved Style	8H 7645473-A	1
Group 45476 LINING ASSEMBLY (LUGGAGE COMPARTMENT SUPPORT BRACKET COVER)				
49	9H except 73	Blue Weaved Style	7EH 7245476-B	2
49	9H except 73	Green Weaved Style	7EH 7245476-C	1
49	9H except 73	Tan Weaved Style	7EH 7245476-A	2
49	9H72-74	Clip	358338-S	4
Group 45616 COVER (LUGGAGE COMPARTMENT)-TIRE BOARD				
49	9H72-74	Rubber	8H 7245616	1
49	9H73-76	Rubber	8H 7345616	1
Group 45618 CLIP (LUGGAGE COMPARTMENT SHELF BOARD)				
49	9H		06H 7345618-B	2
49	9H	Lockwasher (internal tooth)-No. 10	356256-S2	4
49	9H	Nut (sleeve-prong type)-No. 10-32	350850-A2-S	4
49	9H	Screw (round head machine)-No. 10-32 x 9/16"	27089-S2	4
Group 45766 BOARD ASSEMBLY (LUGGAGE COMPARTMENT SHELF)-FRONT				
49	9H	overall length approximately 57-9/16"	7EH 7345766	1
49	9H	overall length approximately 30-7/32"	8H 7345766	1
49	9H	Nut (sleeve)-No. 10-32	350850-A2S	4
49	9H	Screw (flat head sheet metal)-No. 14 x 1-1/4"	32830-S2	18
49	9H	Washer (countersunk)-9/32"	351304-S2	10
Group 45800 BOARD ASSEMBLY (LUGGAGE COMPARTMENT SHELF)-CENTER				
49	9H	half round 27-31/64" x 21-5/8"	7EH 7345800	1
49	9H	square 30-7/32" x 25-11/16"	8H 7345800	1
49	9H	Screw (flat head machine)-No. 10-32 x 7/8"-hinge to front floor board	25223-S2	4
49	9H	Washer (flat)-No. 10-hinge to front board	34703-S7	4
Group 45808 BOARD (LUGGAGE COMPARTMENT SELF)-SIDE				
49	9H		7EH 7345808	2
49	9H	Washer (countersunk)-I.D.-1/4"	351304-S2	8

Lincoln and Lincoln Cosmopolitan

BODY PARTS CATALOGUE

YEAR 19__	BODY TYPES	REMARKS	PART NUMBER	NO. REQ'D
Group 45812 ANTI SQUEAK (LOWER LUGGAGE COMPARTMENT SHELF BOARD SUPPORT SIDE REAR)				
49	9H	6-3/4" long-replaced by M-17771-A	7EH 7345812	2
Group 45813 ANTI SQUEAK (LUGGAGE COMPARTMENT SHELF BOARD SUPPORT REAR UPPER)				
49	9H	7" long-replaced by M-17771-A	8H 7345813	2
Group 45816 ANTI SQUEAK (LUGGAGE COMPARTMENT BOARD FRONT)				
49	9H	45" long-replaced by M-17771-A	8H 7345816	1
Group 45817 ANTI SQUEAK (LOWER LUGGAGE COMPARTMENT SHELF BOARD SUPPORT SIDE FRONT)				
49	9H	10.80" long-replaced by M-17771-B	7EH 7345817	2
Group 45842 HOOK ASSEMBLY (LUGGAGE COMPARTMENT SHELF BOARD)				
49	9H		8H 7345842	1
49	9H	Screw (oval head)-No. 10 x 5/8"	32996-S13	1
Group 45852 SUPPORT ASSEMBLY (LUGGAGE COMPARTMENT BOARD FRONT)				
49	9H	overall length approximately 5-7/8"	7EH 7345852	2
49	9H	Screw (binding head)-No. 14 x 1/2"	31507-S2	4
49	9H	Screw (flat head)-1/4"-20 x 1"	24697-S2	2
49	9H	Washer (countersunk)-9/32"	351304-S2	2
Group 45858 SUPPORT (LUGGAGE COMPARTMENT SHELF BOARD)-SIDE FRONT				
49	9H	Steel 11" long	7EH 7345858	2
49	9H	Bolt (hex head)-1/4"-20 x 1/2"	20308-S2	4
49	9H	Lockwasher-1/4"	34805-S2	4
Group 45860 MOULDING (LUGGAGE COMPARTMENT SHELF)-FRONT				
49	9H	10" long	8H 7345860	2
Group 45862 MOULDING (LUGGAGE COMPARTMENT SHELF)-CENTER				
49	9H	30-13/64" across open ends	8H 7345862	1
Group 45864 ANTI SQUEAK (FRONT LOWER LUGGAGE COMPARTMENT BOARD SUPPORT)				
49	9H		8H 7345864	2
Group 45865 ANTI SQUEAK (LUGGAGE COMPARTMENT BOARD SUPPORT FRONT UPPER)				
49	9H	11-1/4" long-replaced by M-17771-D	8H 7345865	2
Group 45866 ANTI SQUEAK (FRONT SEAT SUPPORT BLOCK)				
49	9H		8H 7345866	4
Group 46506 PANEL ASSEMBLY (PACKAGE TRAY)				
49	9L except 76		△8L 7246506-A	1
49	9L except 76		●8L 7246506-B	1
49	9H72-74		△8H 7246506-A	1
49	9H72-74	10-15/16" between center seat hanger brackets	●8H 7246506-B	1
49	9H72-74	11-57/64" between center seat hanger brackets	8H 7246506-D	1
49	9H73	10-15/16" between center seat hanger brackets	●8H 7346506-B	1
49	9H73	11-57/64" between center seat hanger brackets	8H 7346506-C	1
49	9L except 76	Screw (hex head self tapping)-No. 10 x 1/2"	42007-S7	2
49	9H72-74	Washer (flat)-No. 10	34703-S7	2

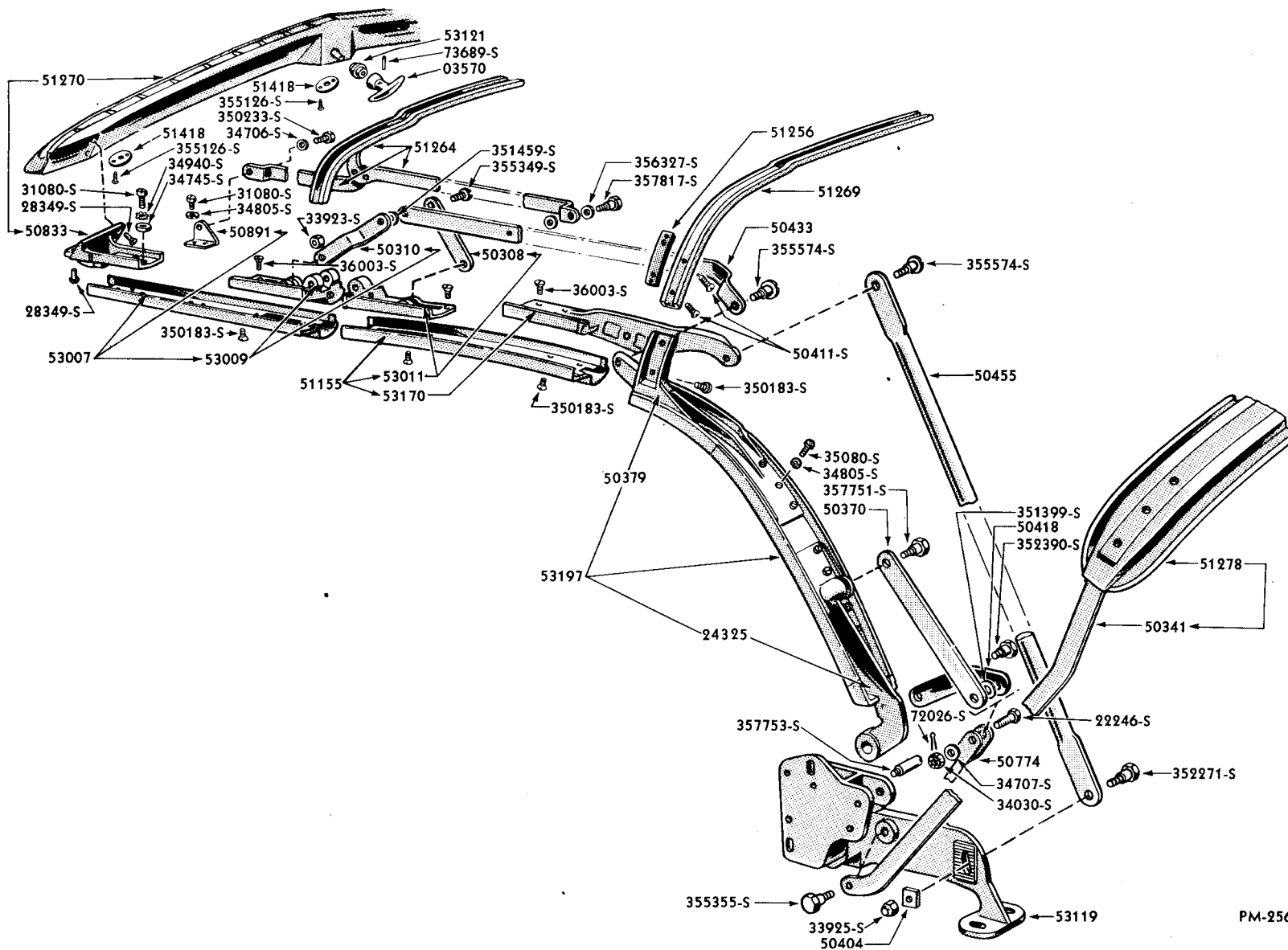
△ Used on cars having front seat with metal stationary foot rest welded to seat frame.

● Used on cars having front seat without foot rest.

Lincoln and Lincoln Cosmopolitan

BODY PARTS CATALOGUE

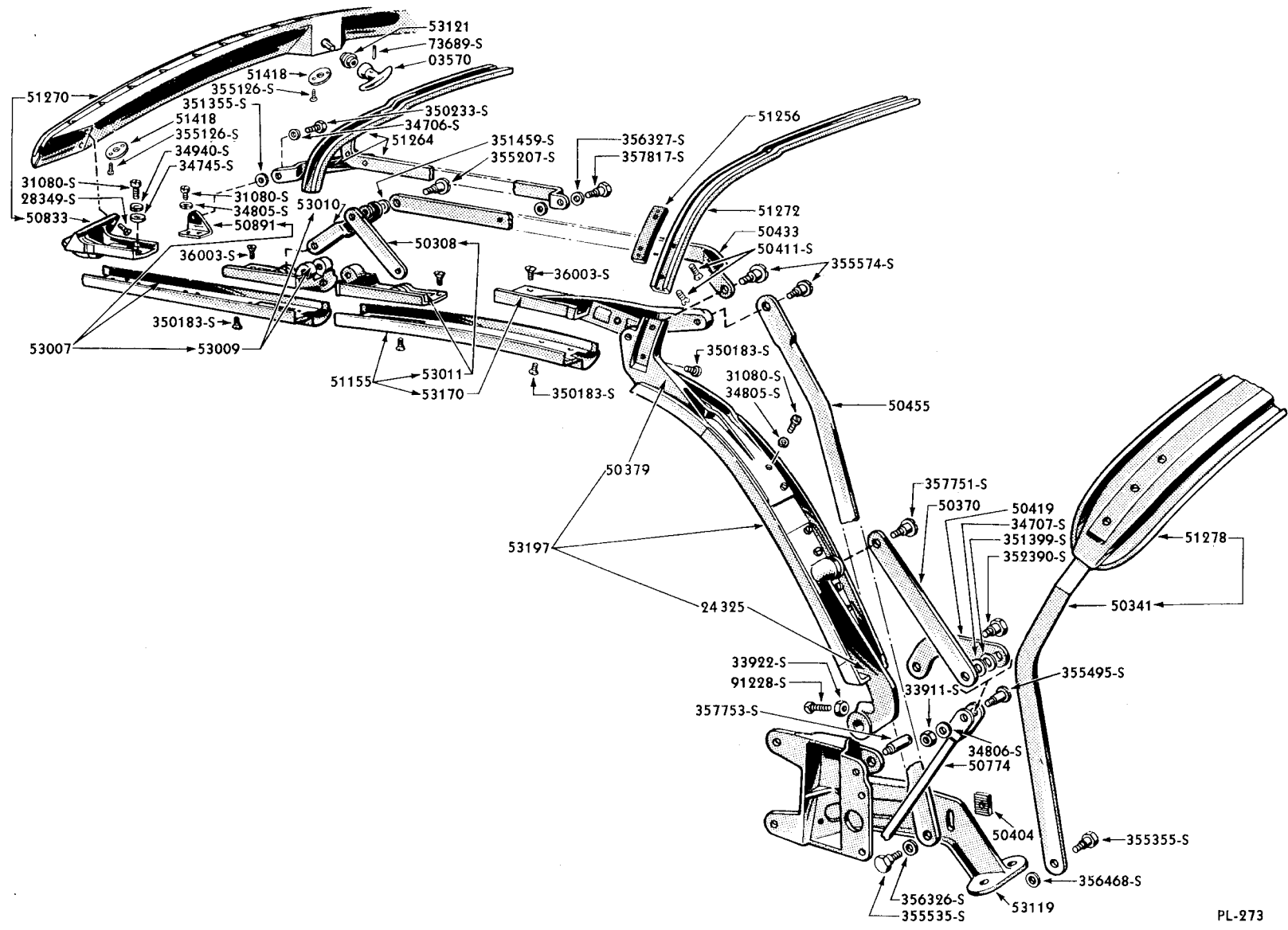
YEAR 19__	BODY TYPES	REMARKS	PART NUMBER	NO. REQ'D
Group 46521 STRAINER ASSEMBLY (PACKAGE TRAY SUPPORT TO FLOOR SIDE MEMBER)				
49	9L72		7A 7246521	2
Group 46568-9 STRAINER (QUARTER WINDOW TO PACKAGE TRAY)				
49	9L72	R.H.	8M 7246568	1
49	9L72	L.H.	8M 7246569	1
Group 46574-5 STRAINER ASSEMBLY (PACKAGE TRAY TO FLOOR)				
49	9L except 76	R.H.-used on jobs having 6-31/32" bulge on inner Wheelhouse	7A 7246574	1
49	9L except 76	L.H.-used on jobs having 6-31/32" bulge on inner Wheelhouse	7A 7246565	1
49	9L except 76	R.H.-used on jobs having 8-1/16" bulge on inner Wheelhouse	8M 7246574	1
49	9L except 76	L.H.-used on jobs having 8-1/16" bulge on inner Wheelhouse	8M 7246575	1
Group 46602-3 STRAINER AND BRACKET ASSEMBLY (PACKAGE TRAY TO FLOOR)				
49	9H73	R.H.	8H 7346602	1
49	9H73	L.H.	8H 7346603	1
Group 46610-1 STRAINER (PACKAGE TRAY TO FLOOR)				
49	9H except 76	R.H.	7EH 7346610	1
49	9H except 76	L.H.	7EH 7346611	1
Group 46612-3 BRACKET (PACKAGE TRAY TO FLOOR PAN STRAINER)				
49	9H72-74	R.H.	8H 7246612	1
49	9H72-74	L.H.	8H 7246613	1
Group 46624-5 BRACE (QUARTER PANEL TO PACKAGE TRAY)				
49	9H73	R.H.	7EH 7346624	1
49	9H73	L.H.	7EH 7346625	1
Group 46656 CARDBOARD (PACKAGE TRAY TRIM)				
49	9L except 76	use with Blue Bedford Cord Scheme	8M 7246656-C	1
49	9L except 76	use with Gray Birdseye Broadcloth Scheme	8L 7246656-A	1
49	9L except 76	use with Gray Wide Stripe Scheme	8L 7246656-E	1
49	9L except 76	use with Green Wide Stripe Scheme	8L-7246656-C	1
49	9L except 76	use with Tan Wide Stripe Scheme	8L-7246656-D	1
49	9L except 76	use with Yellow Check Broadcloth Scheme	8L 7246656-B	1
Group 46668 TRIM ASSEMBLY (PACKAGE TRAY)				
49	9H72-74	use with Blue and Rust Tweed Broadcloth Scheme or Blue Pin Strip Broadcloth Scheme	8H 7246668-B	1
49	9H72-74	use with Brown Strip Broadcloth Scheme	8H 7246668-C	1
49	9H72-74	use with Green Birdseye Broadcloth Scheme	8H 7246668-D	1
49	9H73	Blue Artificial Leather	7EH 7346668-A	1
49	9H73	Light Blue Gray Artificial Leather	7EH 7346668-D	1
49	9H73	use with Gray Narrow Stripe Scheme	8H 7346668-D	1
49	9H73	Green Artificial Leather	7EH 7346668-C	1
49	9H73	use with Green Narrow Stripe Scheme	8H 7346668-B	1
49	9H73	Tan Artificial Leather	7EH 7346668-B	1
49	9H73	use with Tan Narrow Stripe Scheme	8H 7346668-C	1
49	9H except 76	use with Gray Narrow Stripe Scheme	8H-7246668-H	1
49	9H except 76	use with Green Narrow Stripe Scheme	8H-7346668-F	1
49	9H except 76	use with Tan Narrow Strip Scheme	8H-7246668-G	1



LINCOLN SIX PASSENGER CONVERTIBLE COUPE TOP-LESS TRIM (BODY TYPE 76)

Group numbers only shown on illustration. Order by Part Numbers shown in list of parts.

Lincoln and Lincoln Cosmopolitan
BODY PARTS CATALOGUE



LINCOLN COSMOPOLITAN SIX PASSENGER CONVERTIBLE COUPE TOP-LESS TRIM (BODY TYPE 76)

Group numbers only shown on illustration. Order by Part Numbers shown in list of parts.

PL-273

Lincoln and Lincoln Cosmopolitan

BODY PARTS CATALOGUE

YEAR 19__	BODY TYPES	REMARKS	PART NUMBER	NO. REQ'D
Group 47070 BRACKET ASSEMBLY (LUGGAGE COMPARTMENT SPARE WHEEL MOUNTING)				
49	9L		8M 7247070	1
Group 47074 CLAMP (SPARE WHEEL)				
49	9H	without notched end	8H-7347074-A	1
49	9H	with notched end	8H 7347074-B	1
49	9H	Bolt (hex head)-1/2" x 2.88"	350815-S7	1
Group 47126 STRAP ASSEMBLY (TIRE COMPARTMENT COVER)				
49	9H		8H 7347126	1
49	9H	Button (Durable Dot Snap type)-5/32" x 3/16"	95397-S13	1
49	9H	Screw (oval head self tapping) No.6 -18 x 1/2"	32986-S15	1
49	9H	Stud (Durable Dot Snap type)-No. 8 x 1/2"	95203-S15	1
49	9H except 76	Washer (finish) No. 6	34876-S15	1
Group 48468 COVER ASSEMBLY (LUGGAGE COMPARTMENT FLOOR)-FRONT				
49	9L except 76	all trim-Weaved Style	8L-7248468	1
49	9L 76	all trim-Weaved Style	8L-7648468	1
Group 50100 TOP ASSEMBLY-COMPLETE-TRIMMED INCLUDING BACK CURTAIN				
49	9L76	Black-Black Binding	8M 7650100-B	1
49	9L76	Black-Red Binding	8M 7650100-C	1
49	9L76	Blue	8I 7650100	1
49	9L76	Gray Tan	8M 7650100-A	1
49	9L76	Green	8M 7650100-D	1
49	9H76	Black-Black Binding	8H 7650100-A	1
49	9H76	Black-Red Binding	8H 7650100-E	1
49	9H76	Blue Gray	8H 7650100-D	1
49	9H76	Gray Tan	8H 7650100-B	1
49	9H76	Green	8H 7650100-C	1
49	9L 76, 9H76	Drive Nail No. 6	351629-S28 A2B	as req'd
Group 50105 KIT-FOR SERVICING FOLDING TOP-NUMBER 3 BOW, MOUNTING BRACKET & REAR SIDE RAIL HINGE				
49	9L76	Consists of the following (1) 8M-7651272-B Bow (Folding Top No. 3) (1) 8M-7653170-B R.H.-Hinge (Folding Top Rear Side Rail)-Rear (1) 8M-7653171-B L.H.-Hinge (Folding Top Rear Side Rail)-Rear (2) 8M-7650454-B Link (Folding Top)-Balance (1) 8M-7653118-B R.H.-Bracket (Top Mounting) (1) 8M-7653119-B L.H.-Bracket (Top Mounting) (2) 352271-S8 Bolt (Shoulder) (2) 33925-S8 Nut (check)	8M 7650105	as req'd
Group 50200 PANEL ASSEMBLY (ROOF)				
49	9L72		8M 7250200	1
49	9L74		8M 7450200-B	1
49	9H72-74		8H 7250200	1
49	9H73		8H 7350200	1
Group 50308 LINK (FOLDING TOP SIDE RAIL CONTROL)-REAR				
49	9L76		8M 7650308	2
49	9H76		8H 7650308	2
Group 50310 LINK (FOLDING TOP SIDE RAIL CONTROL)-FRONT				
49	9L76		8M 7650310	2
49	9H76		8H 7650310	2

Lincoln and Lincoln Cosmopolitan

BODY PARTS CATALOGUE

YEAR 19	BODY TYPES	REMARKS	PART NUMBER	NO. REQ'D
Group 50340-1 SLAT IRON (FOLDING TOP REAR BOW)				
49	9L76	R.H.	8M 7650340	1
49	9L76	L.H.	8M 7650341	1
49	9H76	R.H.	8H 7650340	1
49	9H76	L.H.	8H 7650341	1
49	9L76, 9H76	Bolt (shoulder)-3/8"-16 x 61/64"	355355-S13	2
49	9H76	Screw (round head)-No. 12-24 x 3/8"-slat irons to inner and outer panels	26469-S7	6
49	9L76, 9H76	Washer (spring)-1/2"	356468-S13	2
Group 50370 LINK (FOLDING TOP POWER)-UPPER				
49	9L76		8M 7650370	2
49	9H76		8H 7650370	2
49	9L76, 9H76	Stud (special slotted head)-3/8" -16	357751-S2	2
Group 50378-9 BRACKET (FOLDING TOP UPPER QUARTER PILLER)				
49	9L76	R.H.	8M 7650378	1
49	9L76	L.H.	8M 7650379	1
49	9H76	R.H.	8H 7650378	1
49	9H76	L.H.	8H 7650379	1
49	9L76, 9H76	Screw (fillister head) -1/4"-20 x 5/8"	31080-S7	as req'd
49	9L76,9H76	Lockwasher-1/4"	34805-S2	as req'd
Group 50404 NUT (BALANCE LINK TO BODY BRACKET)				
49	9L76,9H76	serrated	8H 7650404	2
Group 50418-9 LINK (FOLDING TOP POWER)-LOWER				
49	9L76		8M 7650418	2
49	9H76	R.H.	8H 7650418	1
49	9H76	L.H.	8H 7650419	1
49	9L76,9H76	Bolt (Shoulder)-to attach power link lower to top mounting Bracket	352390-S13	2
49	9L76,9H76	Washer (flat) -3/8"	34707-S2	2
49	9L76,9H76	Washer (special flat)-25/64" x 3/16"	351399-S13	2
Group 50432-3 LINK (FOLDING TOP NO. 1)				
49	9L76	R.H.	8M 7650432	1
49	9L76	L.H.	8M 7650433	1
49	9H76	R.H.	8H 7650432	1
49	9H76	L.H.	8H 7650433	1
49	9L76	Bolt (fillister head shoulder)-5/16"-24	355349-S13	2
49	9H76	Bolt (fillister head shoulder)-5/16"-24	355207-S13	2
49	9L76	Nut (check)-5/16"-24	33923-S13	2
49	9L76	Screw (oval head)-3/8"-16	355574-S13	4
49	9L76	Washer (special flat)-1/2"-1/32" x 7/8"	351459-S2	4

Lincoln and Lincoln Cosmopolitan

BODY PARTS CATALOGUE

YEAR 19__	BODY TYPES	REMARKS	PART NUMBER	NO. REQ'D
Group 50454-5 LINK (FOLDING TOP BALANCE)				
49	9L76		8M 7650454-B	2
49	9H76	R.H.-Bar Design-to be used when 8H-7650455-A is used	8H 7650454-A	1
49	9H76	L.H.-Bar Design-to be used when 8H-7650454-A is used	8H 7650455-A	1
49	9H76	R.H.-Tubular Design-to be used when 8H-7650455-B is used	8H 7650454-B	1
49	9H76	L.H.-Tubular Design-to be used when 8H-7650454-B is used	8H 7650455-B	1
49	9L76,9H76	Bolt (shoulder hex-hd 3/8"-24 x 1-1/4")	352271-S8	2
49	9H76	Bolt (shoulder)	355535-S7	2
49	9L76	Nut (hex)-3/8"-24	33925-S7	2
49	9L76	Screw (oval head)-3/8"-16	355574-S13	2
49	9L76	Washer (flat)-3/8"	34707-S2	4
49	9L76,9H76	Washer-1-1/8" x 7/64"	356326-S7	2
Group 50570 CONTROL ROD ASSEMBLY (TOP)				
49	9L76		8L 7650570-C	1
49	9H76		8H 7650570	1
49	9H76	Grommet (rubber)	356632-S	1
49	9L76,9H76	Screw (round head machine)-No. 10-32 x 1/4"	36784-S7	1
Group 50579 KNOB (TOP CONTROL ROD)				
49	9L76		8L 7650579	1
49	9L76	Screw (set)	355097-S	1
Group 50580 BRACKET (TOP CONTROL ROD)				
49	9H76		8H 7650580	1
Group 50598 CYLINDER AND YOKE ASSEMBLY (HYDRAULIC TOP LIFT)				
49	9H76		8H 7650598	2
49	9H76	Connector (inverted male hex type)-9/16"	353002-S	4
Group 50601 CYLINDER (TOP OPERATING)				
49	9L76	less yoke	8A 7650601	2
49	9H76	less yoke	8H 7650599	2
Group 50606 SPACER (TOP OPERATING CYLINDER TO FLOOR BRACKET)				
49	9L76,9H76	Rubber	96H 7650606	4
Group 50738 VALVE ASSEMBLY (TOP OPERATING CONTROL)				
49	9L76,9H76		5EH 7650738	1
49	9H76	Connector (inverted male)-9/16"	353002-S	2
49	9L76,9H76	Lockwasher (external tooth)-No. 6	34937-S7	1
49	9L76,9H76	Lockwasher-No. 12	34804-S2	2or4
49	9H76	Lockwasher-No. 12	34804-S2	3
49	9H76	Screw (round head machine)-No. 12-24 x 5/16"	26464-S2	3
49	9L76	Screw (round head machine)-No. 12-24 x 3/8"	26469-S7	2
49	9H76	Screw (round head machine)-No. 12-24 x 3/8"	26469-S7	3
Group 50764 BRACKET (TOP HYDRAULIC CYLINDER TO FLOOR)				
49	9H76	R.H.	8H 7650764	1
49	9H76	L.H.	8H 7650765	1
49	9H76	Bolt (hex head)-5/16"-24 x 1"	24387-S8	6
49	9H76	Lockwasher-5/16"	34806-S2	6

Lincoln and Lincoln Cosmopolitan

BODY PARTS CATALOGUE

YEAR 19	BODY TYPES	REMARKS	PART NUMBER	NO. REQ'D
Group 50774 YOKE (TOP OPERATING CYLINDER)				
49	9L76		8A 7650774	2
49	9H76		8H 7650774	2
49	9L76	Bolt (hex head)-3/8"-24	22246-S8	2
49	9H76	Bolt (fillister head shoulder)-3/8"-24	355495-S13	2
49	9L76	Cotter Pin-1/4" x 7/8"	72026-S	2
49	9L76	Nut (slotted)-3/8"-24	34030-S8	2
49	9H76	Nut (hex head)-3/8"-24	33911-S	2
49	9L76,9H76	Washer (lock)-1/4"	34806-S2	2
Group 50832-3 BRACKET (TOP SLAT IRON SIDE RAIL TO HEADER)				
49	9L76	R.H.	8M 7650832	1
49	9L76	L.H.	8M 7650833	1
49	9H76	R.H.	8H 7650832	1
49	9H76	L.H.	8H 7650833	1
49	9H76	Screw (flat head machine)-1/4"-20 x 5/8"	36024-S2	4
49	9L76,9H76	Screw (oval head)-1/4"-20 x 5/8"	28349-S13	8
Group 50890-1 BRACKET (NO. 2 BOW CONNECTING LINK TO FRONT SIDE RAIL)				
49	9L76,9H76	R.R.	8H 7650890	1
49	9L76,9H76	L.H.	8H 7650891	1
49	9L76,9H76	Screw (fillister head)-1/4"-20 x 5/8"	31080-S7	4
49	9L76,9H76	Washer (lock)-1/4"	34805-S2	4
Group 50952-3 STRIP (ROOF HEADLINING RETAINING)				
49	9L72	R.H.	8M 7050952	1
49	9L72	L.H.	8M 7050953	1
49	9L72	Screw (binding head self tapping)-No. 8 x 3/8"	52720-S8	8
Group 50952-3 STRIP (ROOF HEADLINING RETAINING)-FRONT				
49	9L74	R.H.	8M 7350952	1
49	9L74	L.H.	8M 7350953	1
49	9L74	Screw (binding head self tapping)-No. 8 x 3/8"	52720-S8	8
Group 50956-7 STRIP (ROOF HEADLINING RETAINING)-REAR				
49	9L74	R.H.	8M 7450956	1
49	9L74	L.H.	8M 7450957	1
49	9L74	Screw (binding head self tapping)-No. 8 x 3/8"	52720-S8	8
Group 50960-1 STRIP (ROOF HEADLINING RETAINER)-REAR LOWER				
49	9L74	R.H.	8L 7450960	1
49	9L74	L.H.	8L 7450961	1
Group 51126-7 RETAINER (FRONT SIDE RAIL WINDOW SEAL)				
49	9H76	R.H.	8H 7651126	1
49	9H76	L.H.	8H 7651127	1
49	9H76	Screw (binding head self tapping)-No. 8 x 1/4"	33169-S7	10
Group 51128 WEATHERSTRIP (FOLDING TOP BOW NO. 1)				
49	9H76	60" long	8H 7651128	1
Group 51142-3 RAIL ASSEMBLY (ROOF SIDE)				
49	9L74	R.H.	8M 7451142-B	1
49	9L74	L.H.	8M 7451143-B	1

Lincoln and Lincoln Cosmopolitan

BODY PARTS CATALOGUE

YEAR 19	BODY TYPES	REMARKS	PART NUMBER	NO. REQ'D
Group 51144-5 REINFORCEMENT AND PLATE ASSY (ROOF SIDE RAIL)				
49	9L74	R.H.	8L 7451144	1
49	9L74	L.H.	8L 7451145	1
Group 51150-1 RETAINER (CENTER SIDE RAIL WINDOW SEAL)				
49	9H76	R.H.	8H 7651150	1
49	9H76	L.H.	8H 7651151	1
49	9H76	Screw (binding head self tapping)-No. 8 x 1/4"	33169-S7	8
Group 51152 RETAINER (FOLDING TOP HEADER BOW WEATHERSTRIP)				
49	9H76		8H 7651152	1
49	9H76	Screw (binding head sheet metal)-No. 6 x 1/4"	356776-S7	13
Group 51153 RETAINER (TOP CLOTH)				
49	9L76, 9H76	7" long-2 used on front side rail, 2 used on center side rail	8M 7651153	4
49	9L76	Screw (binding head self tapping)-No. 4 x 1/4"	32905-S8	8
Group 51154-5 SIDE RAIL ASSEMBLY (FOLDING TOP)-REAR-COMPLETE				
49	9L76	R.H.	8M 7651154-B	1
49	9L76	L.H.-overall length approximately 12-11/16"	8M 7651155-A	1
49	9L76	L.H.-overall length approximately 13"	8M 7651155-B	1
49	9H76	R.H.	8H 7651154	1
49	9H76	L.H.	8H 7651155	1
49	9L76	Lockwasher-1/4"	34805-S2	6
49	9L76	Stud (slotted head special)-3/8"-16-front rail to rear rail	350553-S8	2
49	9L76, 9H76	Screw (special flat head)-No. 10-24 x 3/8"	350183-S7	16
Group 51180-1 FILLER (ROOF PANEL TO QUARTER PANEL)				
49	9L74	R.H.	8M 7451180	1
49	9L74	L.H.	8M 7451181	1
Group 51184-5 RAIL (ROOF SIDE)				
49	9L72	R.H.	7A 7251184	1
49	9L72	L.H.	7A 7251185	1
49	9H72	R.H.-front-without depressions for reinforcement	7EH 7251184	1
49	9H72	L.H.-front-without depressions for reinforcement	7EH 7251185	1
49	9H72	R.H.-with depressions for reinforcement	8H 7251184	1
49	9H72	L.H.-with depressions for reinforcement	8H 7251185	1
49	9H73-74	R.H.-front-without depressions for reinforcement	7EH 7351184	1
49	9H73-74	L.H.-front-without depressions for reinforcement	7EH 7351185	1
49	9H73-74	R.H.-with depressions for reinforcement	8H 7351184	1
49	9H73-74	L.H.-with depressions for reinforcement	8H 7351185	1
Group 51188-9 BRACKET (ROOF RAIL TO WHEELHOUSE)				
49	9H72-74	R.H.	8H 7251188	1
49	9H72-74	L.H.	8H 7251189	1
49	9H73	R.H.	8H 7351188	1
49	9H73	L.H.	8H 7351189	1

Lincoln and Lincoln Cosmopolitan

BODY PARTS CATALOGUE

YEAR 19	BODY TYPES	REMARKS	PART NUMBER	NO. REQ'D
Group 51196-7 REINFORCEMENT (ROOF SIDE RAIL)				
49	9L72	R.H.	7A 7051196	1
49	9L72	L.H.	7A 7051197	1
49	9L74	R.H.	8M 7451196	1
49	9L74	L.H.	8M 7451197	1
49	9H72	R.H.-use with Rail without depressions	8H 7251196-A	1
49	9H72	L.H.-use with Rail without depressions	8H 7251197-A	1
49	9H72	R.H.-use with Rail with depressions	8H 7251196-B	1
49	9H72	L.H.-use with Rail with depressions	8H 7251197-B	1
49	9H73	R.H.-use with Rail without depressions	8H 7351196-A	1
49	9H73	L.H.-use with Rail without depressions	8H 7351197-A	1
49	9H73	R.H.-use with Rail with depressions	8H 7351196-B	1
49	9H73	L.H.-use with Rail with depressions	8H 7351197-B	1
49	9H74	R.H.-use with Rail without depressions	8H 7451196-A	1
49	9H74	L.H.-use with Rail without depressions	8H 7451197-A	1
49	9H74	R.H.-use with Rail with depressions	8H 7451196-B	1
49	9H74	L.H.-use with Rail with depressions	8H 7451197-B	1
Group 51214-5 RAIL (ROOF SIDE)-REAR HALF				
49	9H72	R.H.-without depressions for reinforcement	7EH 7251214	1
49	9H72	L.H.-without depressions for reinforcement	7EH 7251215	1
49	9H72	R.H.-with depressions for reinforcement	8H 7251214-C	1
49	9H72	L.H.-with depressions for reinforcement	8H 7251215-C	1
49	9H73	R.H.-without depressions for reinforcement	7EH 7351214	1
49	9H73	L.H.-without depressions for reinforcement	7EH 7351215	1
49	9H73	R.H.-with depressions for reinforcement	8H 7351214-C	1
49	9H73	L.H.-with depressions for reinforcement	8H 7351215-C	1
49	9H74	R.H.-without depressions for reinforcement	7EH 7451214	1
49	9H74	L.H.-without depressions for reinforcement	7EH 7451215	1
49	9H74	R.H.-with depressions for reinforcement	8H 7451214-C	1
49	9H74	L.H.-with depressions for reinforcement	8H 7451215-C	1
Group 51256 PLATE (FOLDING TOP TAPPING)-NO. 3 BOW				
49	9L76,9H76		8H 7651256	2
49	9L76,9H76	Bolt (oval head phillips machine)-1/4"-20 x 5/8"	50411-S13	4
Group 51264 BOW AND LINKS ASSEMBLY (FOLDING TOP)-NO. 2				
49	9L76		8M 7651264	1
49	9H76		8H 7651264	1
49	9L76	Bolt (spec. shoulder)-1/4"-28-bow link to front side rail	350233-S13	4
49	9L76,9H76	Washer-25/64"-3/4" x 1/16"	356327-S13	2
49	9L76,9H76	Washer (flat)-5/16"	34706-S2	2
49	9H76	Washer (flat)-3/4"	351365-S13	2
Group 51267 CLAMP (FOLDING TOP QUARTER PAD TO NO. 3 BOW)				
49	9L76,9H76		8M 7651267	2
49	9L76,9H76	Screw (binding head machine)-No. 10-32 x 1/4"	39012-S7	4
Group 51269 BOW AND DOME LAMP BRACKET ASSEMBLY (ROOF)-NO. 1				
49	9H72		8H 7251269	1
49	9H73-74		8H 7351269	1
49	9H	Screw (binding head self tapping)-1/4" x 1/2"	40531-S	4
Group 51269 BOW ASSEMBLY (FOLDING TOP)-NO. 3				
49	9L76		8M 7651269-B	1

Lincoln and Lincoln Cosmopolitan

BODY PARTS CATALOGUE

YEAR 19	BODY TYPES	REMARKS	PART NUMBER	NO. REQ'D
Group 51270 HEADER ASSEMBLY (FOLDING TOP NO. 1 BOW)				
49	9L76		8M 7651270	1
49	9H76		8H 7651270	1
49	9H76	Screw (fillister head)-1/4"-20 x 5/8"-header assy to front side rail	31080-S7	6
49	9L76	Screw (oval head)-1/4"-20 x 1/2"-bow to pillar bracket	28333-S7	4
49	9L76	Washer (external tooth countersunk)-No. 10	34952-S7	6
Group 51272 BOW (FOLDING TOP)-NO. 3				
49	9H76		8H 7651272	1
Group 51278 BOW ASSEMBLY (FOLDING TOP)-REAR				
49	9L76		8M 7651278	1
49	9H76		8H 7651278	1
49	9L76	Bolt (shoulder)-3/8"-16 x 61/64"	355355-S13	2
49	9H76	Bolt (shoulder)-5/16" x 2 1/4"	357817-S13	2
49	9H76	Nut (hex check nut)-3/8"-16	33910-S7	2
49	9L76	Screw (round head machine)-No. 12-24 x 3/8"	26469-S8	6
49	9H76	Screw (round head self tapping)-No. 8 x 1/4"	33104-S8	2
49	9L76	Washer (special flat)-3/4" x 33/64"	356463-S6	2
49	9H76	Washer (special flat)-1/2"	356453-S7	2
49	9H76	Washer (spring)-13/16" x 3/32"	356468-S13	2
Group 51330 WEATHERSTRIP (FRONT BOW)-FOLDING TOP				
49	9H76	Black-60" long	8H 7651330-A	1
49	9H76	Blue Gray-60" long	8H 7651330-D	1
49	9H76	Gray-60" long	8H 7651330-B	1
49	9H76	Green-60" long	8H 7651330-C	1
Group 51418 PLATE (FOLDING TOP NO. 1 BOW PROTECTOR)				
49	9L76,9H76		8H 7651418	1
49	9L76,9H76	Screw (oval head)-No. 10-24 x 3/8"	355126-S8	6
Group 51422 ANTI RATTLE (FOLDING TOP NO. 1 BOW LOCKING ROD)				
49	9L76,9H76		8H 7651422	2
Group 51486 SUPPORT AND BRACKET ASSEMBLY (DOME LAMP MOUNTING)				
49	9L72		8L 7051486	1
49	9L74		8L 7351486	1
Group 51562-3 WEATHERSTRIP (FOLDING TOP SIDE ROOF RAIL)-FRONT				
49	9L76	R.H.-24-7/8" long	8M 7651562	1
49	9L76	L.H.-24-7/8" long	8M 7651563	1
49	9H76	R.H.-27-3/16" long	8H 7651562	
49	9H76	L.H.-27-3/16" long	8H 7651563	1
Group 51564 WEATHERSTRIP (FOLDING TOP SIDE ROOF RAIL)-CENTER				
49	9L76	17-3/4" long	8M 7651564	2
49	9H76	18-1/8" long	8H 7651564	2
Group 51566-7 WEATHERSTRIP (FOLDING TOP SIDE ROOF RAIL)-REAR				
49	9L76	R.H.-20-3/4" long-Straight	8M 7651566-A	1
49	9L76	L.H.-20-3/4" long-Straight	8M 7651567-A	1
49	9L76	R.H.-20-3/4" long-Tapered	8M 7651566-B	1
49	9L76	L.H.-20-3/4" long-Tapered	8M 7651567-B	1
49	9H76	R.H.-17-1/2" long	8H 7651566	1
49	9H76	L.H.-17-1/2" long	8H 7651567	1

Lincoln and Lincoln Cosmopolitan

BODY PARTS CATALOGUE

YEAR 19	BODY TYPES	REMARKS	PART NUMBER	NO. REQ'D
Group 51700-1 MOULDING (ROOF DRIP)				
49	9L72	R.H.	8M 7251700	1
49	9L72	L.H.	8M 7251701	1
49	9L74	R.H.	8M 7451700	1
49	9L74	L.H.	8M 7451701	1
49	9H72-74	R.H.	7EH 7251700	1
49	9H72-74	L.H.	7EH 7251701	1
49	9H73	R.H.	7EH 7351700	1
49	9H73	L.H.	7EH 7351701	1
Group 51734-5 MOULDING (ROOF PANEL FINISH)				
49	9H72-74	rear-R.H.	8H 7251734-B	1
49	9H72-74	rear-L.H.	8H 7251735-B	1
49	9H72-74	Clip (moulding)	358177-S3	2
Group 51736 CLIP (ROOF PANEL MOULDING)-REAR				
49	9H72-74	1-1/2" long	8H 7251736-B	1
Group 51740 PLUG (ROOF PANEL REAR FINISH MOULDING BOLT)				
49	9H72-74	Rubber	8H 7251740	2
Group 51758 RETAINER (ROOF PANEL FINISH MOULDING)-SIDE				
49	9H72-74	4-11/16" long	8H 7251758	2
49	9H72-74	Screw (Phillips binding head)-No.6 x 1/2"	356795-S8	4
Group 51759 RETAINER (ROOF PANEL FINISH MOULDING)-CORNER				
49	9H72-74	3/4" long	8H 7251759	4
49	9H72-74	Screw (Phillips binding head)-No.6 x 1/2"	356795-S8	4
Group 51760 RETAINER (ROOF PANEL FINISH MOULDING)-CENTER				
49	9H72-74	36" long	8H 7251760	1
49	9H72-74	Screw (Phillips binding head)-No.6 x 1/2"	356795-S8	10
Group 51916 HEADLINING ASSEMBLY (ROOF)				
49	9L72	M-19162-L Blue Green Headlining	8L 7251916-A	1
49	9L72	M-19164-A Blue Green Headlining	8L 7251916-D	1
49	9L72	M-19164-D Light Green Headlining	8L 7251916-G	1
49	9L72	M-19162-M Brown Taupe Headlining	8L 7251916-B	1
49	9L72	M-19164-C Gray Headlining	8L 7251916-F	1
49	9L72	M-19162-N Gray Bedford Headlining	8L 7251916-C	1
49	9L72	M-19164-F Light Gray Headlining	8L 7251916-J	1
49	9L72	M-19164-E Tan Headlining	8L 7251916-E	1
49	9L72	M-19164-E Light Tan Headlining	8L 7251916-H	1
49	9L74	M-19162-L Blue Green Headlining	8L 7451916-A	1
49	9L74	M-19164-A Blue Green Headlining	8L 7451916-D	1
49	9L74	M-19164-D Light Green Headlining	8L 7451916-G	1
49	9L74	M-19162-M Brown Taupe Headlining	8L 7451916-B	1
49	9L74	M-19164-C Gray Headlining	8L 7451916-F	1
49	9L74	M-19162-N Gray Bedford Headlining	8L 7451916-C	1
49	9L74	M-19164-F Light Gray Headlining	8L 7451916-J	1
49	9L74	M-19164-E Tan Headlining	8L 7451916-E	1
49	9L74	M-19164-E Light Tan Headlining	8L 7451916-H	1

Lincoln and Lincoln Cosmopolitan

BODY PARTS CATALOGUE

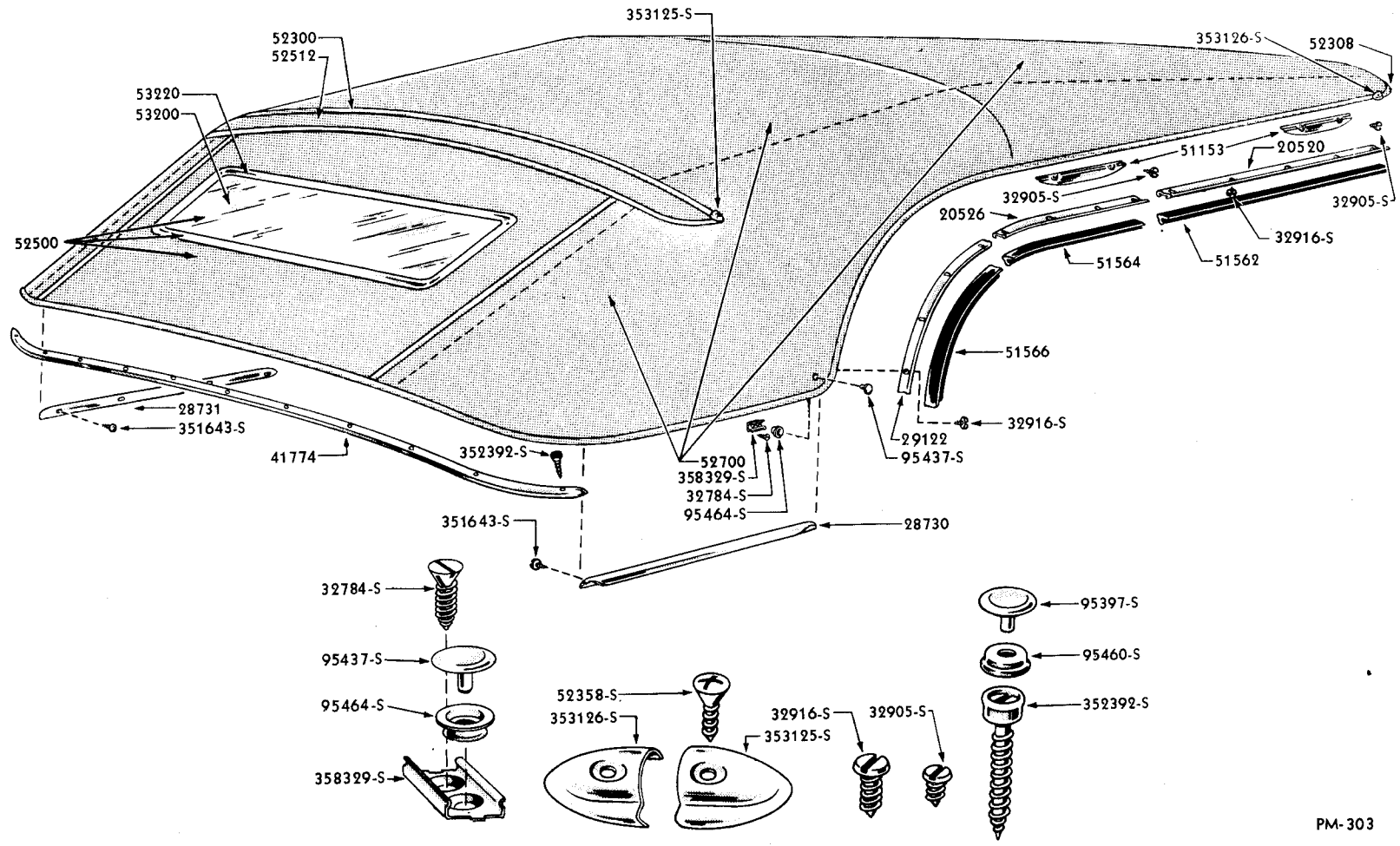
YEAR 19	BODY TYPES	REMARKS	PART NUMBER	NO. REQ'D
Group 51916 HEADLINING ASSEMBLY (ROOF)-CONTINUED				
49	9H72	M-19163-A Blue Headlining-without cover for front body pillar	8H 7251916-A	1
49	9H72	M-19163-A Blue Headlining-includes cover for front body pillar	8H 7251916-F	1
49	9H72	M-19163-D Blue Gray Headlining-without cover for front body pillar	8H 7251916-D	1
49	9H72	M-19163-D Blue Gray Headlining-includes cover for front body pillar	8H 7251916-J	1
49	9H72	M-19163-E Light Gray Headlining	8H 7251916-N	1
49	9H72	M-19163-C Green Headlining-without cover for front body pillar	8H 7251916-C	1
49	9H72	M-19163-C Green Headlining-includes cover for front body pillar	8H 7251916-H	1
49	9H72	M-19163-E Light Green Headlining	8H 7251916-L	1
49	9H72	M-19163-B Tan Headlining-without cover for front body pillar	8H 7251916-B	1
49	9H72	M-19163-B Tan Headlining-includes cover for front body pillar	8H 7251916-G	1
49	9H72	M-19163-F Light Tan Headlining	8H 7251916-M	1
49	9H73	M-19163-A Blue Headlining-without cover for front body pillar	8H 7351916-A	1
49	9H73	M-19163-A Blue Headlining-includes cover for front body pillar	8H 7351916-F	1
49	9H73	M-19163-D Blue Gray Headlining-without cover for front body pillar	8H 7351916-D	1
49	9H73	M-19163-D Blue Gray Headlining-includes cover for front body pillar	8H 7351916-J	1
49	9H73	M-19163-H Light Gray Headlining	8H 7351916-N	1
49	9H73	M-19163-C Green Headlining-without cover for front body pillar	8H 7351916-C	1
49	9H73	M-19163-C Green Headlining-includes cover for front body pillar	8H 7351916-H	1
49	9H73	M-19163-E Light Green Headlining	8H 7351916-L	1
49	9H73	M-19163-B Tan Headlining-without cover for front body pillar	8H 7351916-B	1
49	9H73	M-19163-B Tan Headlining-includes cover for front body pillar	8H 7351916-G	1
49	9H73	M-19163-F Light Tan Headlining	8H 7351916-M	1
49	9H74	M-19163-A Blue Headlining-without cover for front body pillar	8H 7451916-A	1
49	9H74	M-19163-A Blue Headlining-includes cover for front body pillar	8H 7451916-F	1
49	9H74	M-19163-D Blue Gray Headlining-without cover for front body pillar	8H 7451916-D	1
49	9H74	M-19163-D Blue Gray Headlining-includes cover for front body pillar	8H 7451916-J	1
49	9H74	M-19163-H Light Gray Headlining	8H 7451916-N	1
49	9H74	M-19163-C Green Headlining-without cover for front body pillar	8H 7451916-C	1
49	9H74	M-19163-C Green Headlining-includes cover for front body pillar	8H 7451916-H	1
49	9H74	M-19163-E Light Green Headlining	8H 7451916-L	1
49	9H74	M-19163-B Tan Headlining-without cover for front body pillar	8H 7451916-B	1
49	9H74	M-19163-B Tan Headlining-includes cover for front body pillar	8H 7451916-G	1
49	9H74	M-19163-F Light Tan Headlining	8H 7451916-M	1
49	9H except 76	Screw (binding head)-No. 10 x 1/2"	32924-S2	12
49	9H except 76	Screw (drive-combination)-No. 4 x 3/8"	351580-S28-A1	18
49	9L except 76	Screw (Phillips pan head)-No. 8 x 1"	52754-S8	4

Group 51966 COVER (PACKAGE TRAY TO REAR WINDOW)				
49	9H73	M-19163-A Blue Headlining	8H 7351966-A	1
49	9H73	M-19163-D Blue Gray Headlining	8H 7351966-D	1
49	9H73	M-19163-C Green Headlining	8H 7351966-C	1
49	9H73	M-19163-B Tan Headlining	8H 7351966-B	1
49	9H72-74	M-19163-A Blue Headlining	8H 7251966-A	1
49	9H72-74	M-19163-H Light Gray Headlining	8H 7251966-H	1
49	9H72-74	M-19163-C Green Headlining	8H 7251966-C	1
49	9H72-74	M-19163-E Light Green Headlining	8H 7251966-F	1
49	9H72-74	M-19163-B Tan Headlining	8H 7251966-B	1
49	9H72-74	M-19163-F Light Tan Headlining	8H 7251966-G	1
49	9H73	M-19163-E Light Green Headlining	8H 7351966-F	1
49	9H73	M-19163-H Light Gray Headlining	8H 7351966-H	1
49	9H73	M-19163-F Light Tan Headlining	8H 7351966-G	1

Lincoln and Lincoln Cosmopolitan

BODY PARTS CATALOGUE

YEAR 19	BODY TYPES	REMARKS	PART NUMBER	NO. REQ'D
Group 52101-6 SUPPORT (ROOF HEADLINING)				
49	9L except 76	No. 1	7A 7052101	1
49	9L72	No. 2	7A 7052102	1
49	9L72	No. 3	8M 7052103	1
49	9L72	No. 4-"L" type ends	8M 7252104-A	1
49	9L72	No. 4 "S" type ends	8M 7252104-B	1
49	9L72	No. 5-overall length-54-17/64-"L" type ends	8M 7252105-A	1
49	9L72	No. 5-overall length-54-7/16-"S" type ends	8M 7252105-B	1
49	9L74	No. 2	8M 7352102	1
49	9L74	No. 3	7A 7352103	1
49	9L74	No. 4-overall length-54-33/64"	8M 7452104-A	1
49	9L74	No. 4-overall length-54-21/32-"S" type ends	8M 7452104-B	1
49	9L74	No. 5 "L" type ends	8M 7452105-A	1
49	9L74	No. 5-"S" type ends	8M 7452105-B	1
49	9H except 76	No. 1-overall length-50-55/64"	8H 7352101-A	1
49	9H except 76	No. 1-overall length-51-17/64"	8H 7352101-B	1
49	9H except 76	No. 2-overall length-50-51/64"	8H 7352102-A	1or2
49	9H except 76	No. 2-overall length-51-35/64"	8H 7352102-B	1
49	9H except 76	No. 3-overall length-51-21/32"	8H 7352103-B	1
49	9H except 76	No. 4-overall length-50-61/64"	8H 7352104-A	1
49	9H except 76	No. 5-overall length-50-63/64"	8H 7352105-A	1
49	9H72-73	No. 3-overall length-51-19/64"	8H 7352103-A	1or2
49	9H72-74	No. 4	8H 7252104	1
49	9H72-74	No. 5	8H 7252105	1
49	9H72-74	No. 6-overall length-51-33/64"	8H 7252106-A	1
49	9H72-74	No. 6-overall length-52"	8H 7252106-B	1
49	9H73	No. 4-overall length-51-1/4"	8H 7352104-B	1
49	9H73	No. 5-overall length-50-59/64"	8H 7352105-B	1
49	9H73	No. 6-overall length-51-15/16"	8H 7352106-A	1
49	9H73	No. 6-overall length-51-5/8"	8H 7352106-B	1
Group 52300 BINDING (REAR ROOF BOW)-FOLDING TOP				
49	9L76	Black-53" long use M-17108-Q for service	8M 7652300-B	1
49	9L76	Blue-53" long use M-17108-U for service	8L 7652300	1
49	9L76	Gray Tan-53" long use M-17108-P for service	8M 7652300-A	1
49	9L76	Green 53" long use M-17108-S for service	8M 7652300-D	1
49	9L76	Red-53" long use M-17108-T for service	8M 7652300-C	1
49	9H76	Black-58" long use M-19046-A for service	8H 7652300-A	1
49	9H76	Blue Gray-58" long use M-19046-D for service	8H 7652300-D	1
49	9H76	Gray Tan-58" long use M-19046-B for service	8H 7652300-B	1
49	9H76	Green-58" long use M-19046-C for service	8H 7652300-C	1
49	9H76	Red-58" long use M-17108-T for service	8H 7652300-E	1
49	9L76,9H76	R.H.-End Tip	353126-S23A	1
49	9L76,9H76	L.H.-End Tip	353125-S23A	1
Group 52308 BINDING (HEADER BOW)-FOLDING TOP				
49	9L76	Black-61" long use M-17108-Q for service	8M 7652308-B	1
49	9L76	Blue-61" long use M-17108-U for service	8L 7652308	1
49	9L76	Gray Tan-61" long use M-17108-P for service	8M 7652308-A	1
49	9L76	Green-61" long use M-17108-S for service	8M 7652308-D	1
49	9L76	Red-61" long use M-17108-T for service	8M 7652308-C	1
49	9H76	Black-60" long use M-19046-A for service	8H 7652308-A	1
49	9H76	Blue Gray-60" long use M-19046-D for service	8H 7652308-D	1
49	9H76	Gray Tan-60" long use M-19046-B for service	8H 7652308-B	1
49	9H76	Green-60" long use M-19046-C for service	8H 7652308-C	1
49	9H76	Red-60" long use M-17108-T for service	8H 7652308-E	1
49	9L76,9H76	R.H.-End Tip	353126-S23A	1
49	9L76,9H76	L.H.-End Tip	353125-S23A	1



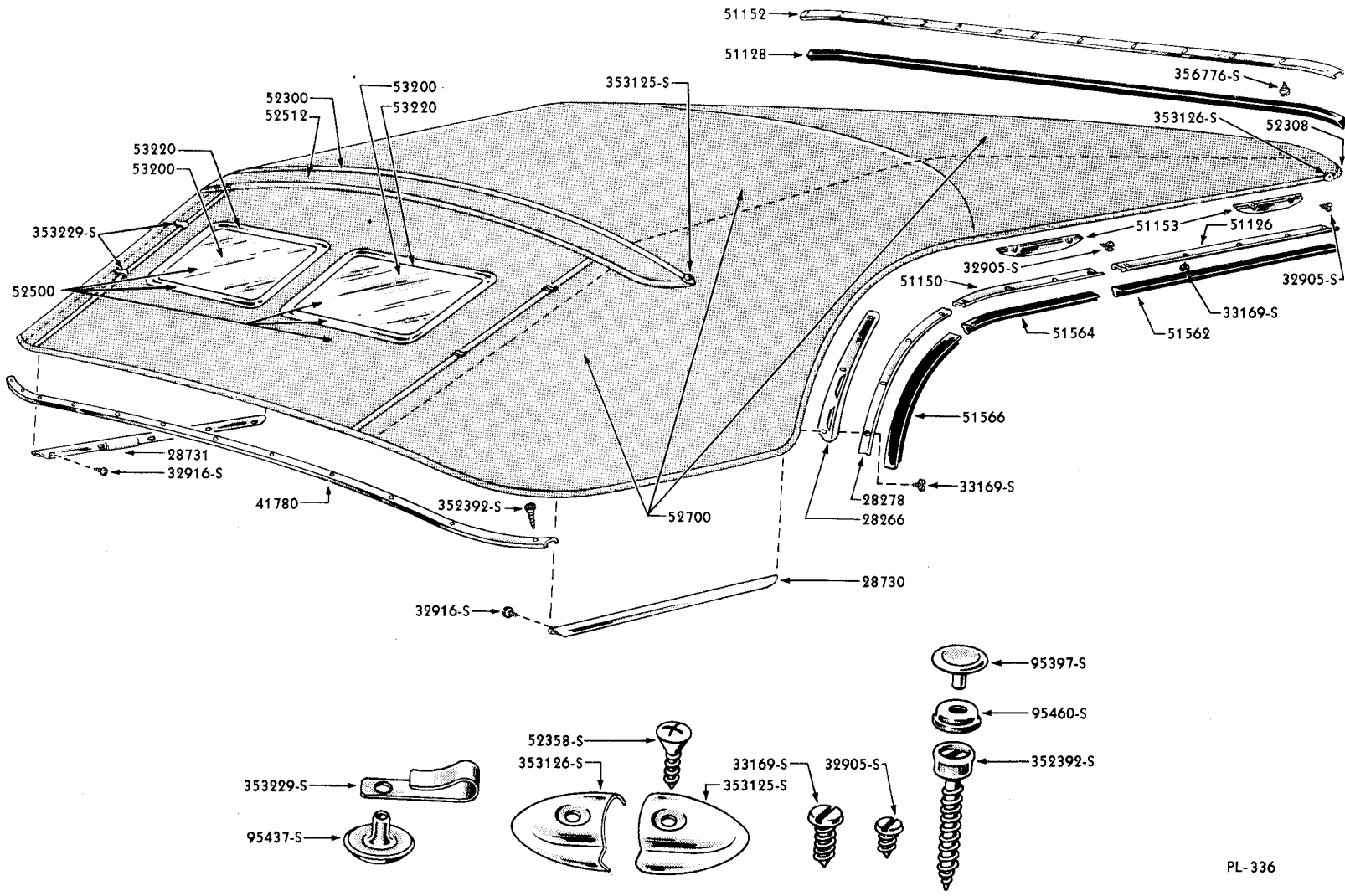
PM-303

LINCOLN SIX PASSENGER CONVERTIBLE COUPE TOP-EXTERIOR VIEW (BODY TYPE 76)

Group numbers only shown on illustration. Order by Part Numbers shown in list of parts.

Lincoln and Lincoln Cosmopolitan

BODY PARTS CATALOGUE



PL-336

LINCOLN COSMOPOLITAN SIX PASSENGER CONVERTIBLE COUPE TOP EXTERIOR VIEW (BODY TYPE 76)

Group numbers only shown on illustration. Order by Part Numbers shown in list of parts.

Lincoln and Lincoln Cosmopolitan

BODY PARTS CATALOGUE

YEAR 19	BODY TYPES	REMARKS	PART NUMBER	NO. REQ'D
Group 52320 BINDING (ROOF RAIL WIRE ON)				
49	9H72-74	use with Blue Pin Stripe Broadcloth Scheme-104" long-replaced by M-19044-D	8H 7252320-D	2
49	9H72-74	use with Blue and Rust Tweed Cloth Scheme-104" long-replaced by M-19044-D	8H 7252320-A	1
49	9H72-74	use with Brown Stripe Broadcloth Scheme-104" long-replaced by M-19044-B	8H 7252320-B	2
49	9H72-74	use with Green Birdseye Broadcloth Scheme-104" long-replaced by M-19044-C	8H 7252320-C	2
49	9H73	use with Blue Pin Stripe Broadcloth Scheme-110" long-replaced by M-19044-D	8H 7352320-D	2
49	9H73	use with Blue and Rust Tweed Cloth Scheme-110" long-replaced by M-19044-D	8H 7352320-A	2
49	9H73	use with Brown Stripe Broadcloth Scheme-110" long-replaced by M-19044-B	8H 7352320-B	2
49	9H73	use with Green Birdseye Broadcloth Scheme-110" long-replaced by M-19044-C	8H 7352320-C	2

Group 52500 CURTAIN ASSEMBLY (FOLDING TOP BACK)				
49	9L76	Black-Black Binding	8M 7652500-B	1
49	9L76	Blue	8L 7652500	1
49	9L76	Gray Tan	8M 7652500-A	1
49	9L76	Green	8M 7652500-C	1
49	9H76	Black-Black Binding	8H 7652500-A	1
49	9H76	Black-Red Binding	8H 7652500-E	1
49	9H76	Blue Gray	8H 7652500-D	1
49	9H76	Gray Tan	8H 7652500-B	1
49	9H76	Green	8H 7652500-C	1
49	9H76	Clip	353229-S13	4
49	9H76	Fastener-Button	95437-S23	4
49	9H76	Washer (flat)-No. 6	34701-S23	4

Group 52512 VALANCE ASSEMBLY (TOP BACK CURTAIN)				
49	9L76	Black-Black Binding	8M 7652512-B	1
49	9L76	Black-Red Binding	8M 7652512-C	1
49	9L76	Blue	8L 7652512	1
49	9L76	Gray Tan	8M 7652512-A	1
49	9L76	Green	8M 7652512-D	1
49	9H76	Black-Black Binding	8H 7652512-A	1
49	9H76	Black-Red Binding	8H 7652512-E	1
49	9H76	Blue Gray	8H 7652512-D	1
49	9H76	Gray Tan	8H 7652512-B	1
49	9H76	Green	8H 7652512-C	1

Group 52700 TOP DECK AND QUARTER ASSEMBLY (FOLDING TOP)				
49	9L76	Black-Black Binding	8M 7652700-B	1
49	9L76	Black-Red Binding	8M 7652700-C	1
49	9L76	Blue	8L 7652700	1
49	9L76	Gray Tan	8M 7652700-A	1
49	9L76	Green	8M 7652700-D	1
49	9H76	Black-Black Binding	8H 7652700-A	1
49	9H76	Black-Red Binding	8H 7652700-E	1
49	9H76	Blue Gray	8H 7652700-D	1

Lincoln and Lincoln Cosmopolitan

BODY PARTS CATALOGUE

YEAR 19	BODY TYPES	REMARKS	PART NUMBER	NO. REQ'D
Group 52700 TOP DECK AND QUARTER ASSEMBLY (FOLDING TOP)-CONTINUED				
49	9H76	Gray Tan	8H 7652700-B	1
49	9H76	Green	8H 7652700-C	1
49	9L76	Button (fastener)	95437-S23	2
49	9L76	Clinch Stud-(Durable Dot)	95464-S6	2
49	9L76	Fastener (automatic curtain)-top to pillar rail	358329-S13	2
49	9L76	Screw (flat head self tapping)-No. 6 x 3/8"	32784-S13	4
Group 52992-3 SUPPORT ASSEMBLY (REAR BOW TO WHEELHOUSE)				
49	9H76	R.H.	8H 7652992	1
49	9H76	L.H.	8H 7652993	1
Group 53000 TOP ASSEMBLY (FOLDING)-LESS TRIM				
49	9L76		8M 7653000-B	1
49	9H76		8H 7653000	1
Group 53005 BOW ASSEMBLY (TOP FOLDING)-NO. 3				
49	9L76		8M 7653005	1
49	9L76	Bolt-1/4"-20 x 5/8"-bow to pillar bracket	50411-S13	4
Group 53006-7 SIDE RAIL ASSEMBLY (FOLDING TOP)-FRONT				
49	9L76	R.H.	8M 7653006	1
49	9L76	L.H.	8M 7653007	1
49	9H76	R.H.	8H 7653006	1
49	9H76	L.H.	8H 7653007	1
49	9L76,9H76	Bolt (spec. shoulder)-1/4"-28-bow link to front side rail	350233-S13	2or4
49	9L76,9H76	Lockwasher (external tooth)-1/4"	34940-S2	6
49	9L76,9H76	Screw (fillister head)-1/4"-20 x 5/8"	31080-S7	6
49	9L76,9H76	Screw (special flat head)-No. 10-24 x 3/8"	350183-S7	16
49	9L76	Stud (slotted head spec)-3/8"-16-front rail to rear rail	350553-S8	2
49	9L76,9H76	Washer (flat)-1/4"	34745-S2	6
Group 53008-9 HINGE AND LINK ASSEMBLY (FOLDING TOP FRONT SIDE RAIL)				
49	9L76	R.H.	8M 7653008	1
49	9L76	L.H.	8M 7653009	1
49	9H76	R.H.	8H 7653008	1
49	9H76	L.H.	8H 7653009	1
49	9L76,9H76	Screw (flat head)-1/4"-28 x 1/2"	36003-S8	4
49	9H76	Lockwasher (external tooth countersunk)-No. 14	34954-S7	4
Group 53010-1 HINGE AND LINK ASSEMBLY (FOLDING TOP REAR SIDE RAIL)-FRONT				
49	9L76	R.H.	8M 7653010	1
49	9L76	L.H.	8M 7653011	1
49	9H76	R.H.	8H 7653010	1
49	9H76	L.H.	8H 7653011	1
49	9H76	Screw (flat head)-1/4"-28 x 1/2"	36003-S8	4
49	9H76	Lockwasher (external tooth countersunk)-No. 14	34954-S7	4
Group 53108-9 HINGE (FRONT SIDE RAIL)-FEMALE				
49	9H76	R.H.	8H 7653108	1
49	9H76	L.H.	8H 7653109	1

Lincoln and Lincoln Cosmopolitan

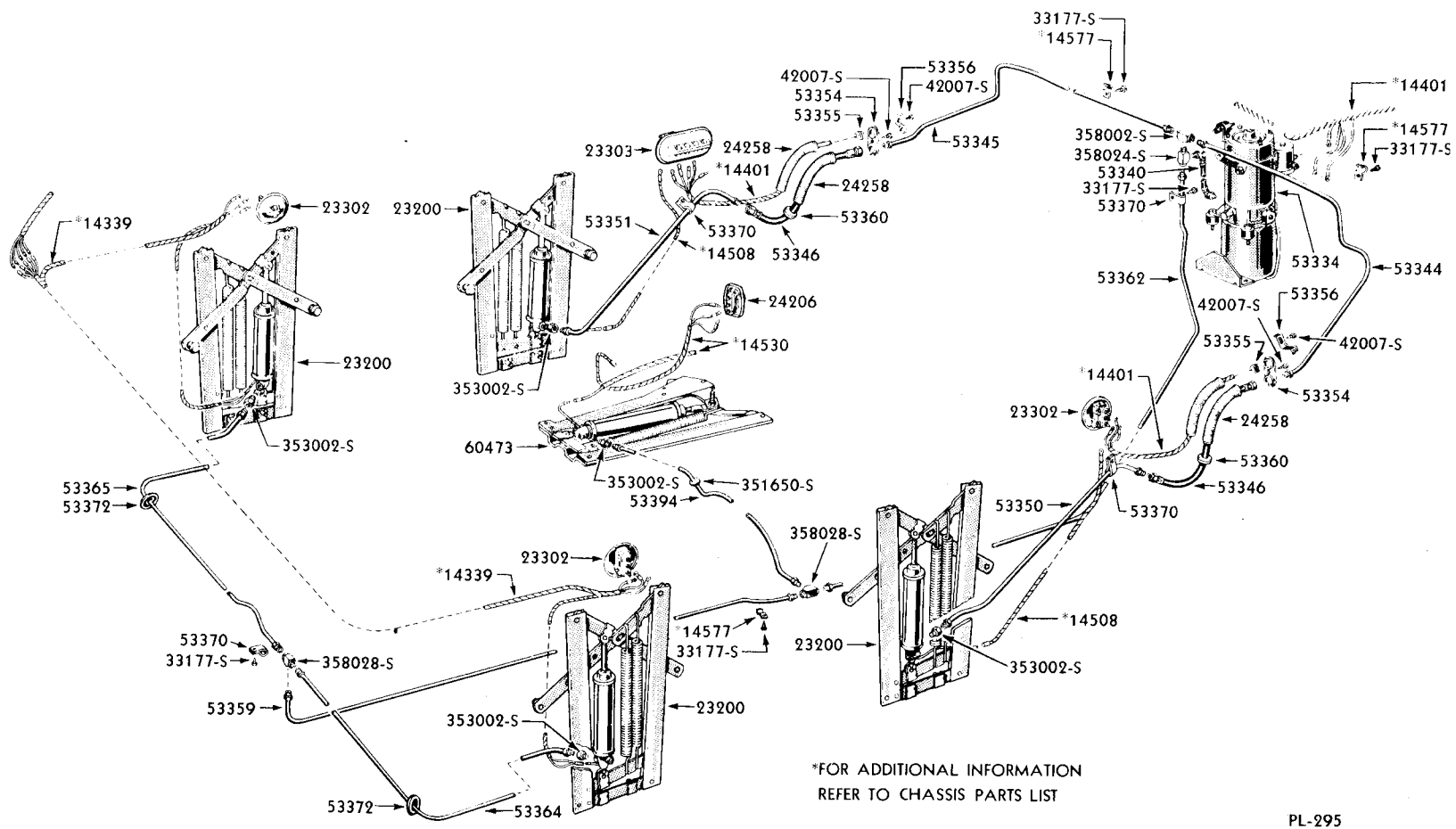
BODY PARTS CATALOGUE

YEAR 19	BODY TYPES	REMARKS	PART NUMBER	NO. REQ'D
Group 53118-9 BRACKET (TOP MOUNTING)				
49	9L76	R.H.	8M 7653118-B	1
49	9L76	L.H.	8M 7653119-B	1
49	9H76	R.H.	8H 7653118	1
49	9H76	L.H.	8H 7653119	1
49	9H76	Screw (flat head machine)-3/8"-16 x 7/8"-mounting bracket to top joint lower bracket support front	36072-S8	4
49	9H76	Screw (flat head machine)-3/8"-16 x 7/8"-bracket to panel assy quarter window regulator	36094-S8	2
49	9L76	Screw (hex head self tapping)-No. 14 x 5/8"	31490-S7	4
49	9H76	Screw and lockwasher assy (hex head)-1/4"-20 x 3/4"-mounting bracket to top joint lower bracket support rear	42906-S8	4
49	9H76	Screw and lockwasher assy (hex head)-5/16"-18 x 3/4"-mounting bracket to window regulator panel	42759-S8	4
49	9L76	Screw and lockwasher assy (hex head)-5/16"-24 x 7/8"	43264-S8	12
49	9L76	Screw and washer assy (oval head)-5/16"-24 x 7/8"	42896-S8	2
49	9H76	Screw and lockwasher assy (hex head)-3/8"-24-7/8"-mounting bracket to wheelhouse	42783-S8	4
49	9H76	Lockwasher (external tooth countersunk)-3/8"	34957-S7	4
49	9H76	Washer (countersunk external tooth)-No. 10-mounting bracket to top joint lower bracket support front	34952-S2	4
49	9L76	Washer (flat)-5/16"	34706-S2	8
Group 53121 BUSHING (FOLDING TOP LOCK HANDLE SHAFT)				
49	9L76, 9H76	15/32" long	8H 7653121	1
Group 53128-9 SUPPORT ASSEMBLY (TOP MOUNTING BRACKET ON QUARTER WHEELHOUSE)				
49	9L76	R.H.-use on jobs having 6-31/32" bulge on inner Wheelhouse	8M 7653128-A	1
49	9L76	L.H.-use on jobs having 6-31/32" bulge on inner Wheelhouse	8M 7653129-A	1
49	9L76	R.H.-use on jobs having 8-1/16" bulge on inner Wheelhouse	8M 7653128-B	1
49	9L76	L.H.-use on jobs having 8-1/16" bulge on inner Wheelhouse	8M 7653129-B	1
Group 53165 STUD (SIDE RAIL CONTROL LINK TO HINGE)				
49	9H76		8H 7653165	4
Group 53170-1 HINGE (FOLDING TOP REAR SIDE RAIL)-REAR				
49	9L76	R.H.	8M 7653170-B	1
49	9L76	L.H.	8M 7653171-B	1
49	9H76	R.H.	8H 7653170	1
49	9H76	L.H.	8H 7653171	1
49	9L76, 9H76	Lockwasher-1/4"	34805-S2	4or6
49	9L76, 9H76	Screw (fillister head)-1/4"-20 x 5/8"	31080-S8	4or6
49	9L, 9H76	Screw (special flat head)-No. 10-24 x 3/8"	350183-S7	8or12
49	9L76, 9H76	Screw (special flat head)-No. 10-24 x 1/2"	36003-S8	4
Group 53196-7 RAIL ASSEMBLY (FOLDING TOP PILLAR)				
49	9L76	R.H.	8M 7653196	1
49	9L76	L.H.	8M 7653197	1

Lincoln and Lincoln Cosmopolitan

BODY PARTS CATALOGUE

YEAR 19	BODY TYPES	REMARKS	PART NUMBER	NO. REQ'D
Group 53196-7 RAIL ASSEMBLY (FOLDING TOP PILLAR)-CONTINUED				
49	9H76	R.H.	8H 7653196	1
49	9H76	L.H.	8H 7653197	1
49	9L76	Fastener (curtain automatic)	358329-S13	2
49	9L76	Lockwasher-1/4"	34805-S2	14
49	9H76	Nut (hex)-5/16"-18	33922-S2	2
49	9L76	Screw (fillister head)-3/8"-16	355570-S13	2
49	9L76	Screw (flat head self tapping)-No. 6 x 3/8"	32704-S13	4
49	9H76	Screw (set)-5/16"-18 x 1/4"	91228-S8	2
49	9L76,9H76	Stud (special slotted head)-3/8"-16 x 1-23/64"	357753-S	2
Group 53200 GLASS (TOP BACK CURTAIN)				
49	9L76		8M 7653200	1
49	9H76		8H 7653200-A	2
Group 53204 MOULDING (REAR BOW)				
49	9L76	replaced by 1 each 8L-7652300 and 8M-7652300-A, 8M 7652300-B, 8M-7652300-C, 8M-7652300-D and 353126-S23, 353125-S23 as req'd	8M 7653204	1
49	9H76	replaced by 1 each 8H-7652300-A, 8H-7652300-B, 8H-7652300-C, 8H-7652300-D, 8H-7652300-E and 353126-S23, 353125-S23 as req'd	8H 7653204	1
49	9L76,9H76	Screw (Phillips oval head self tapping)-No. 6 x 7/8"	352313-S23	2
Group 53214 MOULDING (HEADER FINISH)				
49	9L76	replaced by 1 each 8L-7652308, 8M-7652308-A, 8M-7652308-B, 8M-7652308-C, 8M-7652308-D, 353126-S23, 353125-S23 as required	8M 7653214	1
Group 53220 FRAME ASSEMBLY (BACK CURTAIN GLASS)-OUTSIDE				
49	9L76		8M 7653220	1
49	9H76		8H 7653220	2
Group 53224 FRAME (BACK CURTAIN GLASS)-INSIDE				
49	9L76		8M 7653224	1
49	9H76		8H 7653224	2
49	9L76,9H76	Screw (special oval head)-No. 5-40	350025-S13	14or24
Group 53250 ZIPPER ASSEMBLY (TOP BACK CURTAIN)				
49	9H76		8H 7653250	2
Group 53264 STRAP ASSEMBLY (BACK CURTAIN SUPPORT)-UPPER				
49	9L76		8M 7653264	2
49	9H76		8H 7653264	2
49	9L76,9H76	Button (Durable Dot Snap type)-5/32" x 3/16"	95397-S23	2
49	9L76	Screw (binding head self tapping)-No. 8 x 1/2"	32923-S7	4
49	9H76	Washer (flat)-No. 4	34700-S7	6
49	9L76,9H76	Washer (flat)-No. 6	34701-S7	as req'd
Group 53268 HOOK (BACK CURTAIN STRAP)				
49	9L76		16H 7653268	2
49	9H76		16H 7653268	3
Group 53325 RETAINER AND NUT ASSY (REAR DOOR HOSE COVER SPRING)				
49	9L74	approximately 2-1/2" overall length	8M 7353325	2
Group 53329 SPRING (HYDRAULIC WINDOW OPERATING)-OUTER				
49	9L,9H	Green Enamel	8H 7353329	as req'd

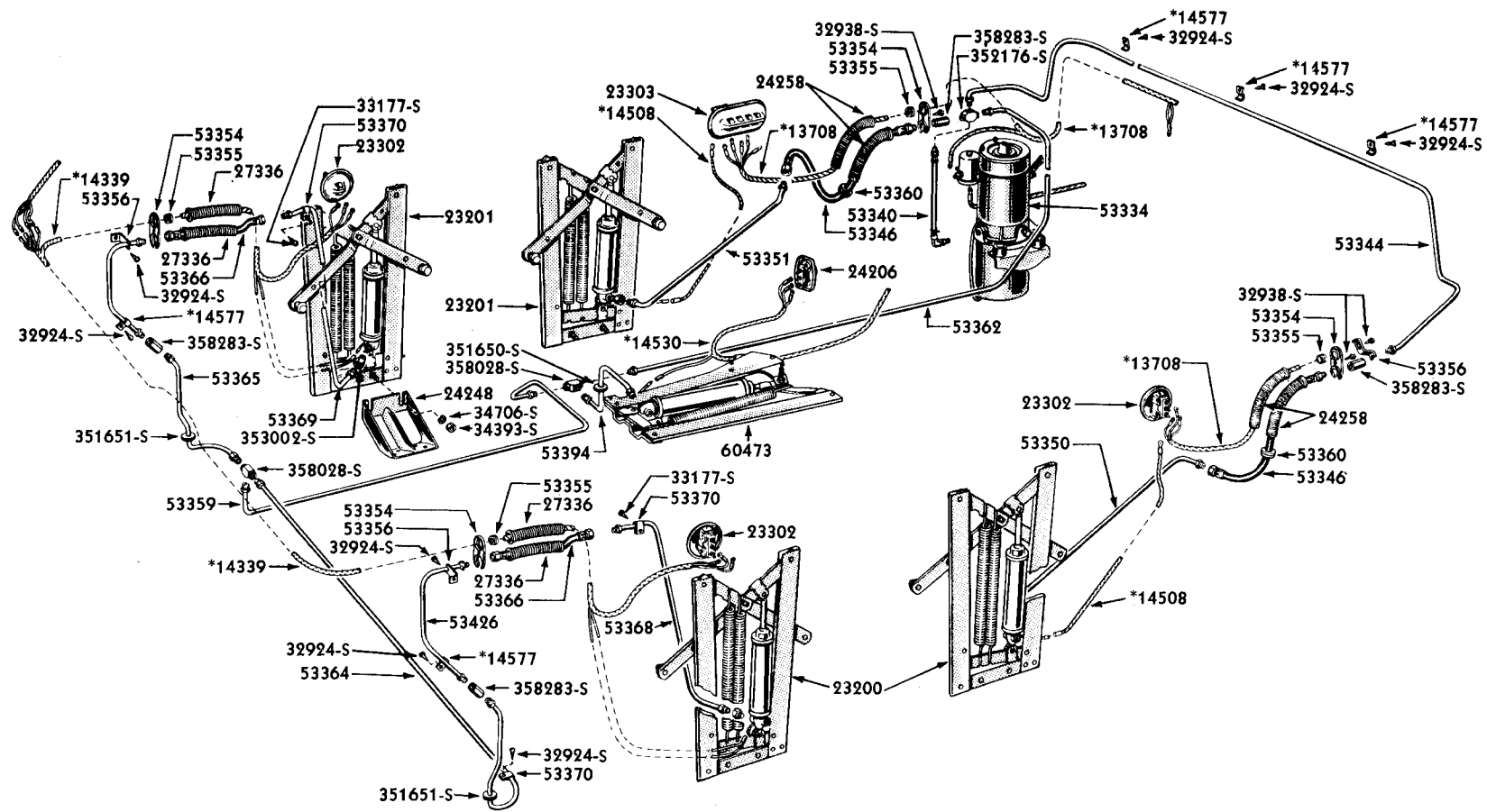


*FOR ADDITIONAL INFORMATION
REFER TO CHASSIS PARTS LIST

PL-295

LINCOLN COSMOPOLITAN HYDRAULIC WINDOW LIFT SYSTEM (BODY TYPE 72)

Group numbers only shown on illustration. Order by Part Numbers shown in list of parts.

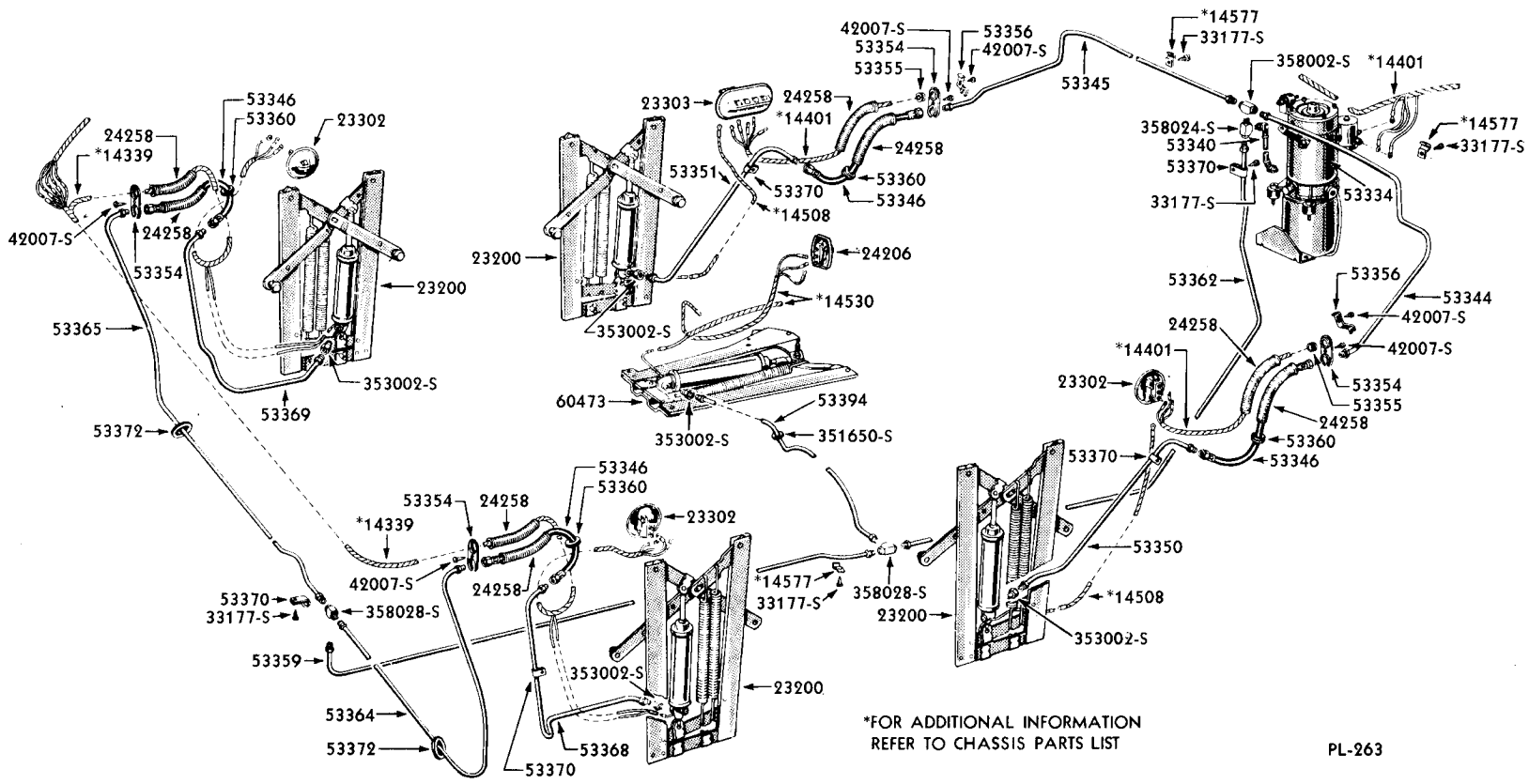


*FOR ADDITIONAL INFORMATION REFER TO CHASSIS PARTS LIST

PM-243

LINCOLN HYDRAULIC WINDOW LIFT SYSTEM (BODY TYPE 74)

Group numbers only shown on illustration. Order by Part Numbers shown in list of parts.

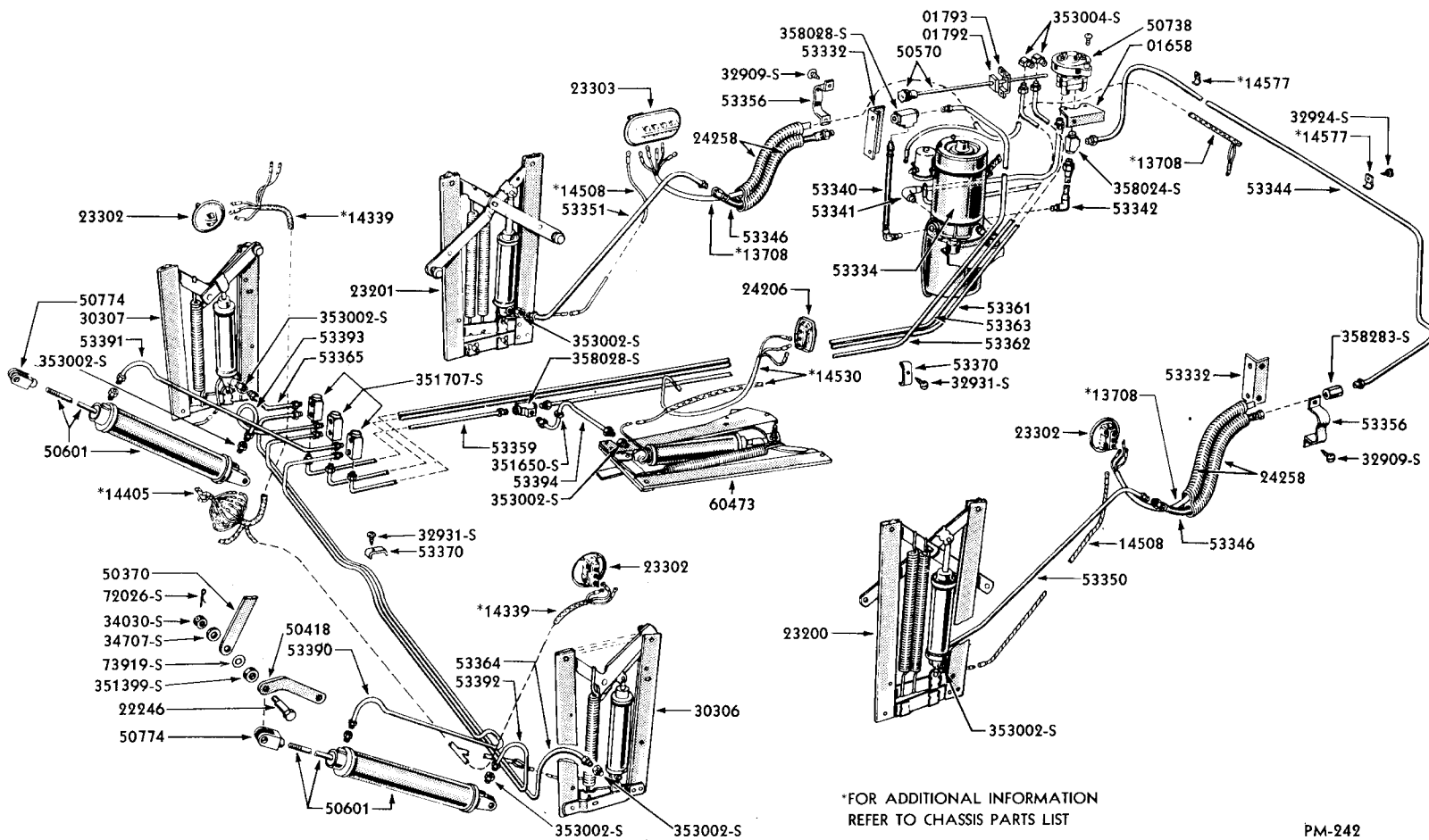


*FOR ADDITIONAL INFORMATION
REFER TO CHASSIS PARTS LIST

PL-263

LINCOLN COSMOPOLITAN HYDRAULIC WINDOW LIFT SYSTEM (BODY TYPES 73 & 74)

Group numbers only shown on illustration. Order by Part Numbers shown in list of parts.

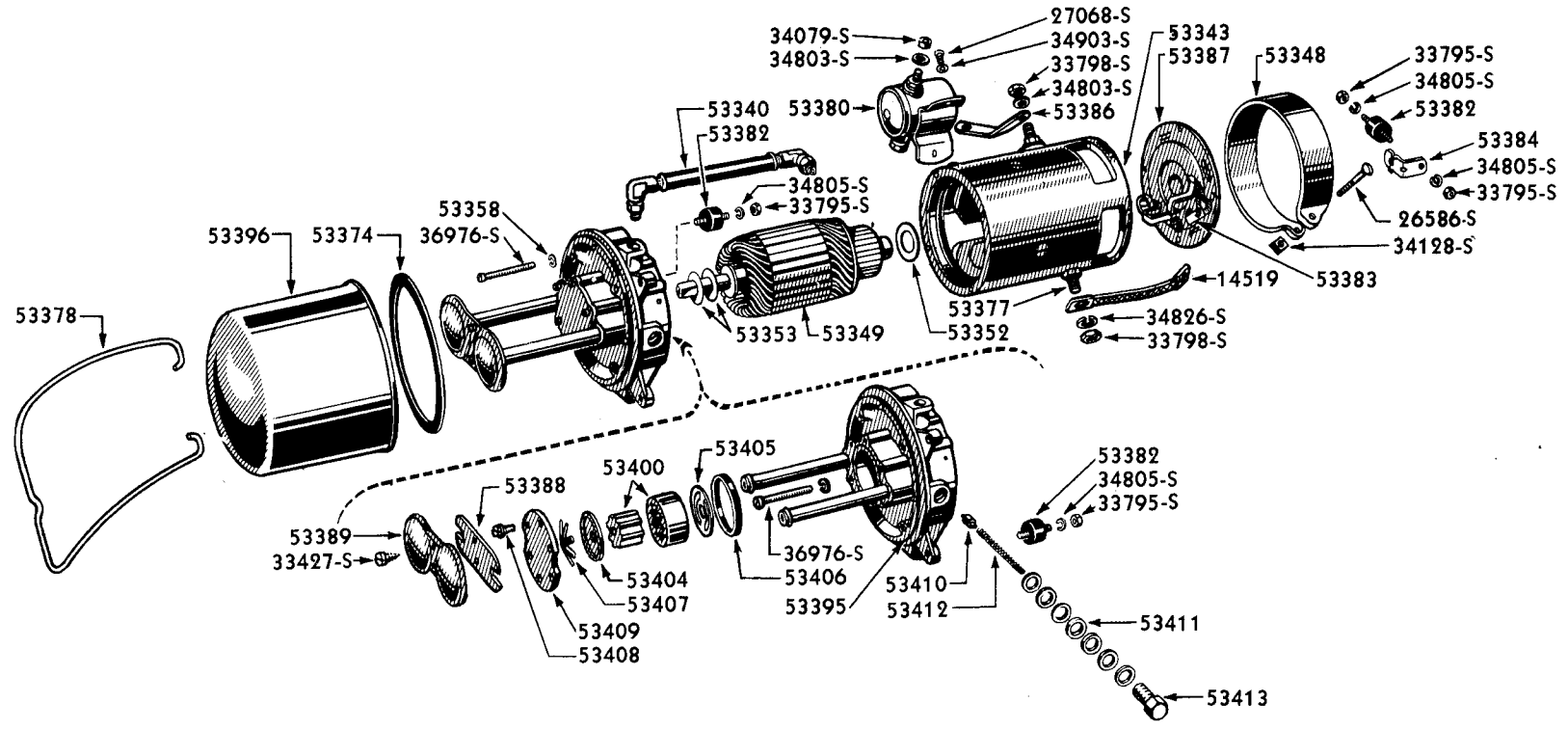


*FOR ADDITIONAL INFORMATION REFER TO CHASSIS PARTS LIST

PM-242

LINCOLN HYDRAULIC WINDOW AND FOLDING TOP LIFT SYSTEM (BODY TYPE 76)

Group numbers only shown on illustration. Order by Part Numbers shown in list of parts.



HYDRAULIC PUMP AND MOTOR (8H-7353334)
 Group numbers only shown on illustration. Order by Part Numbers shown in list of parts.

PL-283

Lincoln and Lincoln Cosmopolitan

BODY PARTS CATALOGUE

YEAR 19	BODY TYPES	REMARKS	PART NUMBER	NO. REQ'D
Group 53330 SPRING (HYDRAULIC WINDOW OPERATING)-INNER				
49	9L,9H	Yellow Enamel	8H 7353330	as reqd
Group 53332 BRACKET (DOOR HYDRAULIC HOSE CONDUIT CLAMP)				
49	9L76	2-21/32" long	8M 7653332	2
49	9L76	Screw (binding head self tapping)-No. 8 x 1/4"	32909-S2	4
Group 53334 MOTOR AND HYDRAULIC PUMP ASSEMBLY-INCLUDES RESERVOIR,BAIL,SOLENOID AND MOUNTING BRACKET				
49	9L, 9H		8H 7353334	1
49	9H	Lockwasher-1/4"-motor and pump to dash	34805-S2	1
49	9L76	Lockwasher-5/16"	34806-S2	4
49	9L76	Nut (hex head)-No. 10 x 32	34079-S7	1
49	9L76	Screw (binding head self tapping)-No. 8 x 1/4"	32909-S2	4
49	9H	Screw (hex head)-1/4"-20 x 1/2"-motor and pump to dash	20308-S2	1
Group 53338 BRACKET (MOTOR AND HYDRAULIC PUMP TO DASH)-UPPER				
49	9H		7EH 7353338	1
49	9H	Lockwasher-1/4"-bracket to cushion	34805-S2	2
49	9H	Nut (hex)-1/4"-20-bracket to cushion	33781-S7	2
Group 53340 HOSE ASSEMBLY (HYDRAULIC PUMP TO TUBING)				
49	9L		8M 7653340	1
49	9H		7EH 7353340	1
49	9L72-74	Cross (inverted flared tube)-1/2"-20 female threads	353176-S	1
49	9L76	Tee (inverted)-5/16"	358028-S	1
Group 53341 HOSE ASSEMBLY (HYDRAULIC PUMP TO TOP CONTROL VALVE RETURN)				
49	9L76	11-51/64" long	8M 7653341-A	1
49	9L76	9" long	8M 7653341-B	1
49	9H76	6-5/8" long	8H 7653341	1
Group 53342 HOSE ASSEMBLY (HYDRAULIC PUMP TO TOP CONTROL VALVE SUPPLY)				
49	9L76	approximately 6-5/32" long	8M 7653342	1
49	9H76	approximately 5-3/8" long	8H 7653342	1
49	9L76	Tee (inverted flared)-5/16"	358024-S	1
Group 53343 FRAME AND FIELD ASSEMBLY (HYDRAULIC PUMP MOTOR)				
49	9L,9H		8H 7353343-B	1
Group 53344-5 TUBE ASSEMBLY (FRONT DOOR HYDRAULIC WINDOW REGULATOR)				
49	9L except 76	R.H.-developed length approximately 84-35/64"	8M 7053344	1
49	9L76	R.H.-developed length approximately 82" long	8M 7653344-A	1
49	9L76	R.H.-developed length approximately 85-7/8"	8M 7653344-C	1
49	9H	R.H.-developed length approximately 35-39/64"	7EH 7353344	1
49	9H	L.H.-developed length approximately 60"	7EH 7353345	1
49	9L	Union (inverted flared tube)-5/16"	358283-S	1
49	9L72-74	Cross (inverted flared tube)-1/2"-20 female threads	352176-S	1
49	9H	Tee-1/2"-20 x 1/8"	358002-S	1
Group 53346 HOSE ASSEMBLY (DOOR HYDRAULIC WINDOW REGULATOR)				
49	9L	front door	8M 7653346	2
49	9H		7EH 7353346	2or4
49	9L72-74	Cross (inverted flared tube)-1/2"-20 female threads	352176-S	1
49	9L76	Union (inverted flared tube)-5/16"	358283-S	1
Group 53349 ARMATURE ASSEMBLY (HYDRAULIC PUMP MOTOR)-COMPLETE				
49	9L,9H		8H 7353349	1

Lincoln and Lincoln Cosmopolitan

BODY PARTS CATALOGUE

YEAR 19	BODY TYPES	REMARKS	PART NUMBER	NO. REQ'D
Group 53350-1 TUBE ASSEMBLY (FRONT DOOR WINDOW REGULATOR)				
49	9L72	R.H.-developed length approximately 26-9/16"	8M 7053350	1
49	9L72	L.H.-developed length approximately 26-9/16"	8M 7053351	1
49	9L74	R.H.-developed length approximately 20-55/64"	8M 7353350	1
49	9L74	L.H.-developed length approximately 20-55/64"	8M 7353351	1
49	9L76	R.H.-developed length approximately 27-1/2"	8M 7653350	1
49	9L76	L.H.-developed length approximately 27-1/2"	8M 7653351	1
49	9H72-76	R.H.-developed length approximately 27-5/8"	7EH 7253350	1
49	9H72-76	L.H.-developed length approximately 24-3/4"	7EH 7253351	1
49	9H73-74	R.H.-developed length approximately 24-13/16"	7EH 7353350	1
49	9H73-74	L.H.-developed length approximately 21-11/16"	7EH 7353351	1
49	9L72-76,9H	Connector (inverted male)-9/16"	353002-S	2
49	9H73,74	Screw (round head)-No. 10-32 x 7/16	27073-S2	2
Group 53352 WASHER (HYDRAULIC PUMP MOTOR ARMATURE SHAFT)-UPPER				
49	9L, 9H	Fiber-41/64" I.D.-1-1/4" O.D.-1/32" thick	8H 7353352	as reqd
Group 53353 WASHER (HYDRAULIC PUMP MOTOR ARMATURE SHAFT)-LOWER				
49	9L, 9H	Fiber-33/64" I.D.-1-3/32" O.D.-1/32" thick	8H 7353353	as reqd
Group 53354 RETAINER (HOSE COVER SPRING)				
49	9L except 76,9H	approximately 2-1/2" overall length	7EH 7353354	2or4
49	9L74	Nut (hex head)-No. 8-32	34092-S7	1
49	9H	Screw (binding head self tapping)-No. 10-32 x 1/2"	42007-S7	2or4
49	9L except 76	Screw (pan head)-No. 10 x 5/8"	32938-S7	4
49	9L74	Washer (flat)-No. 6	34701-S	4
Group 53355 GROMMET (WINDOW REGULATOR CONTROL WIRES)				
49	9L72-74	Rubber	7EH 7353355	2or8
49	9H	Rubber	7EH 7353355	2or4
Group 53356 CLAMP (DOOR HYDRAULIC HOSE CONDUIT)				
49	9L76	2-3/8" overall length	8M 7653356	2
49	9L76	Screw (binding head self tapping)-No. 8 x 1/4"	32909-S2	4
Group 53356 CLAMP (HOSE TO HOSE COVER SPRING RETAINER)				
49	9L except 76	front door	8M 7053356	2
49	9L74	rear door	8M 7453356	2
49	9H	1-13/16" overall length	7EH 7353356	2or4
49	9H	Screw (binding head self tapping)-No. 10-32 x 1/2"	42007-S7	2or4
Group 53359 TUBE ASSEMBLY (REAR DOOR AND QUARTER SUPPLY)-REAR				
49	9H	developed length approximately 43-37/64"	8H 7353359-A	1
49	9H73-74	overall length approximately 55"	8H 7353359-B	1
49	9H72-76	overall length approximately 46-47/64"	8H 7653359	1
49	9H	Tee (inverted)-5/16	358028-S	1
Group 53359 TUBE ASSEMBLY (REAR QUARTER SUPPLY)				
49	9L74	developed length approximately 42-3/4"	8M 7053359	1
49	9L76	developed length approximately 28"	8M 7653359	1
49	9L76	Grommet-3 hole-rubber	355430-S	1
49	9L76	Tee (triple inverted)	351707-S	3

Lincoln and Lincoln Cosmopolitan

BODY PARTS CATALOGUE

YEAR 19	BODY TYPES	REMARKS	PART NUMBER	NO. REQ'D
Group 53360 GROMMET (HYDRAULIC WINDOW REGULATOR SPRING HOSE COVER)				
49	9L except 76	Brass-1-1/8" O.D.-3/4" overall length	8M 7053360	4
49	9L74	Brass-1-1/8" O.D.-11/32" overall length	8M 7353360	4
49	9H	Brass-1-3/4" O.D.-27/64" approximate overall length	7EH 7353360	4or8
Group 53361 TUBE ASSEMBLY (TOP CYLINDER SUPPLY)-UPPER				
49	9L76	developed length approximately 85-13/32"	8M 7653361-A	1
49	9L76	developed length approximately 86-7/64"	8M 7653361-C	1
49	9H76	developed length approximately 122"	8H 7653361-A	1
49	9H76	overall length approximately 93-27/64"	8H 7653361-B	1
49	9H76	Clip	351093-S7	1
49	9L76	Elbow (inverted male)-1/8"-27	353004-S	2
49	9L76	Grommet-3 hole-rubber	355430-S	1
49	9H76	Screw (flat head self tapping)-No. 10 x 3/4"	32808-S2	1
49	9L76	Tee (triple inverted)-1/2"-20	351707-S	3
Group 53362 TUBE ASSEMBLY (REAR QUARTER HYDRAULIC SUPPLY)-FRONT				
49	9L	developed length approximately 60"	8M 7653362	1
49	9L76	Clip (tube)-replaced by 8H-7653370	351647-S8	1
49	9L72	Elbow (inverted tube)-5/16"	351652-S	1
49	9L76	Elbow (inverted male)-1/8"-27	353004-S	2
49	9L76	Screw (binding head self tapping)-No. 10 x 1/2"	32924-S2	1
49	9L72-74	Tube Cross (inverted flared)-5/16"	352176-S	1
Group 53362 TUBE ASSEMBLY (REAR DOOR AND QUARTER HYDRAULIC SUPPLY)-FRONT				
49	9H	developed length approximately 64-3/4"	7EH 7353362	1
49	9H	Tee (inverted)-5/16"	358024-S	1
Group 53363 TUBE ASSEMBLY (TOP CYLINDER SUPPLY)-LOWER				
49	9L76	developed length approximately 83-29/32"	8M 7653363-A	1
49	9L76	developed length approximately 84-39/64"	8M 7653363-C	1
49	9H76	developed length approximately 122-1/5"	8H 7653363-A	1
49	9H76	overall length approximately 93"	8H 7653363-B	1
49	9L	Grommet-3 hole-rubber	355430-S	1
49	9L76	Tee (triple inverted)-1/2"-20	351707-S	3
Group 53364-5 TUBE ASSEMBLY (REAR QUARTER HYDRAULIC WINDOW REGULATOR CROSS)				
49	9L74	R.H.-developed length approximately 66"	8M 7353364	1
49	9L74	L.H.-developed length approximately 27-1/4"	8M 7353365	1
49	9L76	R.H.-overall length approximately 64-45/64"	8M 7653364	1
49	9L76	L.H.-overall length approximately 4-5/64"	8M 7653365	1
49	9H72	R.H.-developed length approximately 37-1/2"	7EH 7253364	1
49	9H72	L.H.-developed length approximately 52-5/8"	7EH 7253365	1
49	9H72	R.H.-overall length approximately 16"	8H 7253364	1
49	9H72	L.H.-overall length approximately 20"	8H 7653365	1
49	9H73-74	R.H.-developed length approximately 46-11/16"	7EH 7353364	1
49	9H73-74	L.H.-developed length approximately 58"	7EH 7353365	1
49	9H73-74	R.H.-overall length approximately 22"	8H 7353364	1
49	9H73-74	L.H.-overall length approximately 44"	8H 7353365	1

Lincoln and Lincoln Cosmopolitan

BODY PARTS CATALOGUE

YEAR 19	BODY TYPES	REMARKS	PART NUMBER	NO. REQ'D
Group 53364-5 TUBE ASSEMBLY (REAR QUARTER HYDRAULIC WINDOW REGULATOR CROSS)-CONTINUED				
49	9H76	R.H.-developed length approximately 44"	8H 7653364-A	1
49	9H76	L.H.-developed length approximately 55-5/16"	8H 7653365-A	1
49	9E76	R.H.-overall length approximately 22-9/64"	8H 7653364-B	1
49	9E76	L.H.-overall length approximately 22-9/64"	8H 7653365-B	1
49	9L76	Clip (tube)	351647-S8	1
49	9L76	Connector (inverted male)-9/16"	353002-S	2
49	9L76	Screw (binding head self tapping)-No. 10 x 1/2"	32924-S2	1
49	9L except 76,9H	Tee (inverted)-5/16"	358028-S	1
49	9L except 76	Union (inverted flared)-5/16"	358283-S	2
Group 53366 HOSE ASSEMBLY (REAR DOOR HYDRAULIC WINDOW REGULATOR)				
49	9L74	15" long	8M 7353366	2
Group 53367 CLIP (HYDRAULIC 3 TUBE MULTIPLE)				
49	9L76	approximately 1-7/16" overall length	8M 7653367	2
Group 53367 CLIP (HYDRAULIC TUBE TO FLOOR PAN REINFORCEMENT)				
49	9E76	approximately 29/32" overall length	8H 7653367	2
49	9E76	Screw (binding head self tapping)-No. 10 x 5/8"	33191-S2	2
Group 53368-9 TUBE ASSEMBLY (REAR DOOR HYDRAULIC WINDOW REGULATOR)				
49	9L74	R.H.	8M 7453368	1
49	9L74	L.H.	8M 7453369	1
49	9E73-74	R.H.	7EH 7353368	1
49	9E73-74	L.H.	7EH 7353369	1
49	9H	Connector (inverted male)-9/16"	353002-S	1
49	9E73-74	Nut (hex head)-No. 10-32	34079-S7	2
Group 53370 CLIP (HYDRAULIC TUBE TO DASH)				
49	9L76,9H76	approximately 1-21/64" overall length	8H 7653370	3or5
Group 53370 CLIP (HYDRAULIC TUBING TO BODY)				
49	9L,9E		7EH 7353370	2or6
49	9L74,9E	Screw (binding head self tapping)-No. 10 x 3/8"	33177-S7	4or6
49	9E73-74	Screw (round head machine)-No. 10-32 x 7/16"	27073-S2	2
49	9L76	Screw (round head machine)-No. 10-32 x 1/2"	27081-S7	2
Group 53372 GROMMET (REAR DOOR HYDRAULIC WINDOW REGULATOR CROSS TUBE TO FLOOR)				
49	9H76		8H 7653372	2
49	9H except 76		7EH 7353372	2
Group 53373 CLIP (HYDRAULIC TUBE TO FLOOR)				
49	9H76		8H 7653373	1
49	9H76	Screw (binding head self tapping)-No. 10 x 3/4"	33198-S2	1
Group 53374 GASKET (HYDRAULIC PUMP RESERVOIR)				
49	9L,9H		5EH 7353374-B	1
Group 53377 STUD (HYDRAULIC PUMP MOTOR FRAME AND FIELD ASSEMBLY)				
49	9L,9H		8H 7353377	1
Group 53378 BAIL (HYDRAULIC PUMP RESERVOIR)				
49	9L76,9H		8H 7353378	1

Lincoln and Lincoln Cosmopolitan

BODY PARTS CATALOGUE

YEAR 19__	BODY TYPES	REMARKS	PART NUMBER	NO. REQ'D
Group 53379 STRAP (HYDRAULIC PUMP MOTOR GROUND)				
49	9L,9H	replaced by 8H-14519	8H 7353379	1
49	9L,9H	5-3/8" long	8H 14519	1
Group 53380 SOLENOID (HYDRAULIC PUMP MOTOR)				
49	9L,9H		7EH 7353380	1
49	9H	Nut (hex)-5/16"-12	33784-S2	4
49	9H	Lockwasher (light)-5/16"	34806-S2	4
49	9H	Screw (round head)-No. 10-32 x 3/8"-solenoid to pump	27068-S7	2
Group 53382 CUSHION (HYDRAULIC MOTOR MOUNTING)				
49	9L,9H		5EH 7353382	3
49	9L,9H	Lockwasher-1/4"	34803-S2	1
49	9L76,9H	Nut-1/4"-20	33795-S	1
Group 53383 BRUSH (HYDRAULIC PUMP MOTOR FRAME AND FIELD ASSEMBLY)				
49	9L,9H		8H 7353383	2
Group 53384 BRACKET (HYDRAULIC MOTOR MOUNTING CUSHION)				
49	9L76,9H		5EH 7353384	1
Group 53386 STRAP (MOTOR AND HYDRAULIC PUMP TO SOLENOID)				
49	9L76,9H		5EH 7353386	1
Group 53387 HEAD AND BRUSH HOLDER ASSEMBLY (HYDRAULIC PUMP MOTOR)				
49	9L,9H		8H 7353387	1
Group 53388 PLATE (RESERVOIR FLUID RETAINER)				
49	9L76,9H		5EH 7353388	1
Group 53389 RETAINER (HYDRAULIC PUMP RESERVOIR FLUID)				
49	9L76,9H		5EH 7353389	1
49	9L76,9H	Screw (binding head self tapping)-No. 6 x 1/4"	33427-S7	1
Group 53390-1 TUBE ASSEMBLY (TOP HYDRAULIC CYLINDER REAR CROSS)-UPPER				
49	9L76	R.H.-overall length approximately 56-15/16"	8M 7653390	1
49	9L76	L.H.-developed length approximately 22"	8M 7653391	1
49	9H76	R.H.-developed length approximately 43-1/4"	8H 7653390-A	1
49	9H76	L.H.-developed length approximately 55-3/8"	8H 7653391-A	1
49	9H76	R.H.-overall length approximately 15-5/32"	8H 7653390-B	1
49	9H76	L.H.-overall length approximately 15-5/32"	8H 7653391-B	1
49	9L76	Clip (tube)	351647-S8	1
49	9L76	Connector (inverted male)-9/16"	353002-S	2
49	9L76	Screw (binding head self tapping)-No. 10 x 1/2"	32924-S2	1
49	9H76	Tee (inverted)-5/16"	358028-S	1
Group 53392-3 TUBE ASSEMBLY (TOP HYDRAULIC CYLINDER REAR CROSS)-LOWER				
49	9L76	R.H.-approximately 60-1/4" overall length	8M 7653392	1
49	9L76	L.H.-approximately 5" overall length	8M 7653393	1
49	9H76	R.H.-developed length approximately 38-3/8"	8H 7653392-A	1
49	9H76	L.H.-developed length approximately 50"	8H 7653393-A	1

Lincoln and Lincoln Cosmopolitan

BODY PARTS CATALOGUE

YEAR 19	BODY TYPES	REMARKS	PART NUMBER	NO. REQ'D
Group 53392-3 TUBE ASSEMBLY (TOP HYDRAULIC CYLINDER REAR CROSS)-LOWER-CONTINUED				
49	9H76	R.H.-overall length approximately 16-9/16"	8H 7653392-B	1
49	9H76	L.H.-overall length approximately 16-9/16"	8H 7653393-B	1
49	9L76	Connector (inverted male)-9/16"	353002-S	2
49	9L76	Screw (binding head self tapping)-No. 10 x 1/2"	32924-S2	1
49	9H76	Tee (inverted)-5/16"	358028-S	1
Group 53394 TUBE ASSEMBLY (FRONT SEAT HYDRAULIC REGULATOR)				
49	9L	developed length approximately 15-1/2"	8M 7653394	1
49	9H	overall length 25-21/32"	8H 7353394-A	1
49	9H	overall length 24-55/64"	8H 7353394-B	1
49	9H	overall length 25-31/64"	8H 7353394-C	1
49	9L76	Clip (hydraulic tubing)	51A 14577-A	1
49	9L,9H	Connector (inverted male)-9/16"	353002-S	1
49	9H	Elbow (inverted male)-1/8"-27 tube to hydraulic cylinder	353004-S	1
49	9L72	Elbow (inverted tube)-1/2"-20	351652-S	1
49	9L,9H	Grommet (rubber)-round-5/16" I.D.-1" x 5/16"	351650-S	1
49	9L74	Grommet (rubber)-with flat side-5/16" I.D.-1" x 5/16"	351651-S	2
49	9L76	Screw (binding head self tapping)-No. 10 x 1/2"	32924-S2	1
49	9H	Tee (inverted)-5/16"	358028-S	1
Group 53395 HOUSING ASSEMBLY (HYDRAULIC PUMP)				
49	9L,9H		8H 7353395	1
49	9L76,9H	Screw (round head)-No. 10-32 x 1-3/4"	36976-S2	3
Group 53396 RESERVOIR (HYDRAULIC PUMP)				
49	9L76,9H		8H 7353396	1
Group 53400 ROTOR ASSEMBLY (INNER AND OUTER)-HYDRAULIC PUMP				
49	9L,9H		8H 7353400	1
Group 53404 PLATE (HYDRAULIC PUMP ROTOR)				
49	9L,9H	approximately 1-1/2" I.D.-1/4" O.D.	8H 7353404	1
Group 53405 PLATE (HYDRAULIC PUMP PORT)				
49	9L,9H	approximately 1-1/2" I.D.-17/32" O.D.	8H 7353405	1
Group 53406 SEAL (HYDRAULIC PUMP BOTTOM)				
49	9L,9H	Rubber-1-3/16" O.D.	8H 7353406	1
Group 53407 SPRING (HYDRAULIC PUMP ROTOR)				
49	9L,9H	8 prongs	8H 7353407	1
Group 53408 SCREW (HYDRAULIC PUMP BOTTOM PLATE)				
49	9L,9H	No. 10-24 x 7/16"	8H 7353408	6
49	9L,9H	Lockwasher (internal tooth)-No. 10	34903-S2	6
Group 53409 PLATE (HYDRAULIC PUMP BOTTOM)				
49	9L,9H	2-9/16" Diameter-has 6 bolt holes	8H 7353409	1
Group 53410 VALVE (HYDRAULIC PUMP)				
49	9L,9H		8H 7353410	1
Group 53411 WASHER (HYDRAULIC PUMP)				
49	9L,9H	Aluminum-29/64"	8H 7353411	7
Group 53412 SPRING (HYDRAULIC PUMP VALVE)				
49	9L,9H	approximately 2-1/2" free length	8H 7353412	1

Lincoln and Lincoln Cosmopolitan

BODY PARTS CATALOGUE

YEAR 19	BODY TYPES	REMARKS	PART NUMBER	NO. REQ'D
Group 53413 PLUG (HYDRAULIC PUMP VALVE)-ADJUSTER				
49	9L,9H		8H 7353413	1
Group 53414 BRACKET ASSEMBLY (HYDRAULIC SEAT REGULATOR TO FLOOR)				
49	9L,9H		8H 7353414	1
Group 53426-7 TUBE ASSEMBLY (EXTENSION TUBE TO HOSE)				
49	9L74	R.H.-developed length approximately 16-45/64"	8M 7453426	1
49	9L74	L.H.-developed length approximately 16-45/64"	8M 7453427	1
Group 53436 GROMMET (HYDRAULIC SUPPLY TUBES FLOOR)				
49	9H	Rubber-insulator for quarter supply tube assy-1-1/2" O.D.	0H 7353436	1
49	9H76	Rubber-top cylinder rear cross tubes-1-1/2" O.D.	0H 7353436	2
Group 53437 GROMMET (HYDRAULIC SUPPLY TUBES FLOOR)				
49	9H	Rubber-insulator for quarter supply tube assy-1-5/32" O.D.	0H 7353437	1
Group 54306 SILENCER (ROOF PANEL)				
49	9L except 76	two Piece Design	8M 7054306-B	1
49	9H72-74		7EH 7254306	2
49	9H73		7EH 7354306	2
Group 54400 HOOD ASSEMBLY (TOP DUST)				
49	9L76	Black-Black Binding	8M 7654400-B	1
49	9L76	Blue-Blue Binding	8L 7654400	1
49	9L76	Gray Tan-Gray Tan Binding	8M 7654400-A	1
49	9L76	Green-Green Binding	8M 7654400-D	1
49	9H76	Black-Black Binding	8H 7654400-B	1
49	9H76	Black-Red Binding	8H 7654400-E	1
49	9H76	Blue Gray-Blue Gray Binding	8H 7654400-D	1
49	9H76	Gray Tan-Gray Tan Binding	8H 7654400-A	1
49	9H76	Green-Green Binding	8H 7654400-C	1
49	9L76,9H76	1/8" x 3/16" Button (Oval Head Tubular)	95397-S13	11or15
49	9L76,9H76	Clip	353229-S13	2or4
49	9H76	Screw (countersunk head self tapping)-No. 8 x 5/8" hood assy to belt rail moulding	352392-S13	9
49	9L76,9H76	Socket (Durable Dot Snap type)	95460-S13	15or17
49	9L76,9H76	Washer (flat)-No. 6	34701-S23	2or4
Group 54410 LOOP (TOP BOOT TO REAR SEAT BACK)				
49	9L76,9H76		8H 7654410	2or4
49	9L76,9H76	Screw (Phillips head sheet metal)-No. 6 x 3/4"	52358-S23	4
Group 54486 CONTAINER ASSEMBLY (TOP DUST HOOD)				
49	9L76	all trims	8M 7654486	1
49	9H76	all trims	8H 7654486	1
49	9H76	Button (fastener)	95397-S13	2
49	9H76	Eyelet-Clinch	95442-S6	2
49	9H6	Fastener (Snap Clinch Stud)	95464-S6	2
Group 54630 BOW (TOP FOLDING COMPARTMENT)				
49	9H76		8H 7654630	1
49	9H76	Screw (binding head self tapping)-No. 10 x 3/4"	33198-S2	2

Lincoln and Lincoln Cosmopolitan

BODY PARTS CATALOGUE

YEAR 19	BODY TYPES	REMARKS	PART NUMBER	NO. REQ'D
Group 54637 SPRING (TOP FOLDING COMPARTMENT TRIM SUPPORT ROD)				
49	9L76	3-15/64" free length	8M 7654637	1
Group 54638 ROD (TOP FOLDING COMPARTMENT TRIM SUPPORT)				
49	9L76		8M 7654638	1
Group 54639 CLIP (FOLDING TOP COMPARTMENT TRIM SUPPORT ROD)				
49	9L76		8M 7654639	1
Group 60050 CUSHION ASSEMBLY (FRONT SEAT)				
49	9L72	M-19141-P Dark Gray Bedford Cord, with Two Tone Carpet	●8L 7260050-N	1
49	9L72	M-19141-N Gray Bedford Cord, with One Tone Carpet	△8L 7260050-C	1
49	9L72	M-19141-N Gray Bedford Cord, with One Tone Carpet	●8L 7260050-G	1
49	9L72	M-19141-N Gray Bedford Cord, with Two Tone Carpet	●8L 7260050-L	1
49	9L72	M-19101-Q Gray Broadcloth, with One Tone Carpet	△8L 7260050-A	1
49	9L72	M-19101-Q Gray Broadcloth, with One Tone Carpet	●8L 7260050-E	1
49	9L72	M-19101-Q Gray Broadcloth, with Two Tone Carpet	●8L 7260050-J	1
49	9L72	Front M-19105-K Light Gray Plain Broadcloth, Rear M-19105-J Gray Shadow Stripe Broadcloth	8L 7260050-W	1
49	9L72	Front M-19105-B Light Green Plain Broadcloth, Rear M-19105-G Green Shadow Stripe Broadcloth	8L 7260050-U	1
49	9L72	Front M-19105-D Light Tan Plain Broadcloth, Rear M-19105-H Tan Shadow Stripe Broadcloth	8L 7260050-V	1
49	9L72	M-19101-S Brown Taupe Broadcloth, with One Tone Carpet	△8L 7260050-B	1
49	9L72	M-19101-S Brown Taupe Broadcloth, with One Tone Carpet	●8L 7260050-F	1
49	9L72	M-19101-S Brown Taupe Broadcloth, with Two Tone Carpet	●8L 7260050-K	1
49	9L74	M-19141-P Dark Gray Bedford Cord, with Two Tone Carpet	●8L 7360050-N	1
49	9L74	M-19141-N Gray Bedford Cord, with One Tone Carpet	△8L 7360050-C	1
49	9L74	M-19141-N Gray Bedford Cord, with One Tone Carpet	●8L 7360050-G	1
49	9L74	M-19141-N Gray Bedford Cord, with Two Tone Carpet	●8L 7360050-L	1
49	9L74	M-19101-Q Gray Broadcloth, with One Tone Carpet	△8L 7360050-A	1
49	9L74	M-19101-Q Gray Broadcloth, with One Tone Carpet	●8L 7360050-E	1
49	9L74	M-19101-Q Gray Broadcloth, with Two Tone Carpet	●8L 7360050-J	1
49	9L74	Front M-19105-K Light Gray Plain Broadcloth, Rear M-19105-J Gray Shadow Stripe Broadcloth	8L 7460050-G	1
49	9L74	Front M-19105-B Light Green Plain Broadcloth, Rear M-19105-G Green Shadow Stripe Broadcloth	8L 7460050-E	1
49	9L74	Front M-19105-D Light Tan Plain Broadcloth, Rear M-19105-H Tan Shadow Stripe Broadcloth	8L 7460050-F	1
49	9L74	M-19101-S Brown Taupe Broadcloth, with One Tone Carpet	△8L 7360050-B	1
49	9L74	M-19101-S Brown Taupe Broadcloth, with One Tone Carpet	●8L 7360050-F	1
49	9L74	M-19101-S Brown Taupe Broadcloth, with Two Tone Carpet	●8L 7360050-K	1
49	9L76	M-5085-S Blue Bedford Cord	△8L 7660050-D	1
49	9L76	M-5085-S Blue Bedford Cord, with One Tone Carpet	●8L 7660050-H	1
49	9L76	M-5085-S Blue Bedford Cord, with Two Tone Carpet	●8L 7660050-M	1
49	9L76	M-5085-Q Green Bedford Cord	△8L 7660050-C	1
49	9L76	M-5085-Q Green Bedford Cord, with One Tone Carpet	●8L 7660050-G	1
49	9L76	M-5085-Q Green Bedford Cord, with Two Tone Carpet	●8L 7660050-L	1
49	9L76	M-5085-P Tan Bedford Cord, with Red Binding	△8L 7660050-A	1
49	9L76	M-5085-P Tan Bedford Cord, with Tan Binding	△8L 7660050-B	1
49	9L76	M-5085-P Tan Bedford Cord, with Red Binding and One Tone Carpet	●8L 7660050-E	1
49	9L76	M-5085-P Tan Bedford Cord, with Tan Binding and One Tone Carpet	●8L 7660050-F	1
49	9L76	M-5085-P Tan Bedford Cord, with Red Binding and Two Tone Carpet	●8L 7660050-J	1
49	9L76	M-5085-P Tan Bedford Cord, with Tan Binding and Two Tone Carpet	●8L 7660050-K	1

△ Used on cars having front seat with metal stationary foot rest welded to seat frame.

● Used on cars having front seat without foot rest.

Lincoln and Lincoln Cosmopolitan

BODY PARTS CATALOGUE

YEAR 19__	BODY TYPES	REMARKS	PART NUMBER	NO. REQ'D
Group 60050 CUSHION ASSEMBLY (FRONT SEAT)-CONTINUED				
49	9H72	M-19101-L Blue Gray Broadcloth	△8H 7260050-F	1
49	9H72	M-19101-L Blue Gray Broadcloth	*8H 7260050-K	1
49	9H72	M-19104-D Blue Gray Broadcloth	△8H 7260050-J	1
49	9H72	M-19104-D Blue Gray Broadcloth	*8H 7260050-N	1
49	9H72	M-19101-T Brown Stripe Broadcloth	△8H 7260050-G	1
49	9H72	M-19101-T Brown Stripe Broadcloth	*8H 7260050-L	1
49	9H72	M-19105-K Light Gray Plain Broadcloth	8H 7260050-U	1
49	9H72	M-19104-C Green Gray Broadcloth	△8H 7260050-H	1
49	9H72	M-19104-C Green Gray Broadcloth, with Dark Green Two Tone Carpet	*8H 7260050-M	1
49	9H72	M-19104-C Green Gray Broadcloth, with Light Green Two Tone Carpet	*8H 7260050-Q	1
49	9H72	M-19105-E Light Green Plain Broadcloth	8H 7260050-S	1
49	9H72	M-19105-D Light Tan Plain Broadcloth	8H 7260050-T	1
49	9H73-74	M-19101-L Blue Gray Broadcloth	△8H 7360050-F	1
49	9H73-74	M-19101-L Blue Gray Broadcloth	*8H 7360050-K	1
49	9H73-74	M-19104-D Blue Gray Broadcloth	△8H 7360050-J	1
49	9H73-74	M-19104-D Blue Gray Broadcloth	*8H 7360050-N	1
49	9H73-74	M-19101-T Brown Stripe Broadcloth	△8H 7360050-G	1
49	9H73-74	M-19101-T Brown Stripe Broadcloth	*8H 7360050-L	1
49	9H73-74	M-19105-K Light Gray Plain Broadcloth	8H 7360050-U	1
49	9H73-74	M-19104-C Green Gray Broadcloth	△8H 7360050-H	1
49	9H73-74	M-19104-C Green Gray Broadcloth, with Dark Green Two Tone Carpet	*8H 7360050-M	1
49	9H73-74	M-19104-C Green Gray Broadcloth, with Light Green Two Tone Carpet	*8H 7360050-Q	1
49	9H73-74	M-19105-B Light Green Plain Broadcloth	8H 7360050-S	1
49	9H73-74	M-19105-D Light Tan Plain Broadcloth	8H 7360050-T	1
49	9H76	M-19146-K Beige Whipcord	△8H 7660050-V	1
49	9H76	M-19146-K Beige Whipcord, with Tan Carpet	*8H 7660050-GA	1
49	9H76	M-19146-K Beige Whipcord, with Red Carpet	*8H 7660050-QA	1
49	9H76	M-19146-M Blue Whipcord	△8H 7660050-X	1
49	9H76	M-19146-M Blue Whipcord	*8H 7660050-JA	1
49	9H76	Blue Leather	△8H 7660050-S	1
49	9H76	Blue Leather	*8H 7660050-DA	1
49	9H76	M-19146-L Green Whipcord	△8H 7660050-W	1
49	9H76	M-19146-L Green Whipcord-with Dark Green Two Tone Carpet	*8H 7660050-HA	1
49	9H76	M-19146-L Green Whipcord-with Light Green Two Tone Carpet	*8H 7660050-SA	1
49	9H76	Green Leather	△8H 7660050-Q	1
49	9H76	Green Leather-with Dark Green Two Tone Carpet	*8H 7660050-CA	1
49	9H76	Green Leather-with Light Green Two Tone Carpet	*8H 7660050-NA	1
49	9H76	Lime Green Leather	△8H 7660050-U	1
49	9H76	Lime Green Leather-with Dark Green Two Tone Carpet	*8H 7660050-FA	1
49	9H76	Lime Green Leather-with Light Green Two Tone Carpet	*8H 7660050-PA	1
49	9H76	Red Leather	△8H 7660050-N	1
49	9H76	Red Leather with Tan Carpet	*8H 7660050-AA	1
49	9H76	Red Leather with Red Carpet	*8H 7660050-MA	1
49	9H76	Tan Leather	△8H 7660050-P	1
49	9H76	Tan Leather	*8H 7660050-BA	1
49	9H76	Yellow Leather	△8H 7660050-T	1
49	9H76	Yellow Leather	*8H 7660050-EA	1
49	9H76	M-19146-N Yellow Boige Whipcord, used with Yellow Leather	△8H 7660050-Y	1
49	9H76	M-19146-N Yellow Boige Whipcord, used with Lime Green Leather	△8H 7660050-Z	1
49	9H76	M-19146-N Yellow Boige Whipcord, used with Yellow Leather	*8H 7660050-KA	1
49	9H76	M-19146-N Yellow Boige Whipcord-with Dark Green Two Tone Carpet, used with Lime Green Leather	*8H 7660050-LA	1
49	9H76	M-19146-N Yellow Boige Whipcord-with Light Green Two Tone Carpet and Lime Green Leather	*8H 7660050-TA	1

△ Used on cars having front seat with metal stationary foot rest welded to seat frame.

* Used on cars having front seat with adjustable foot rest or stationary foot rest bolted to seat frame.

Lincoln and Lincoln Cosmopolitan

BODY PARTS CATALOGUE

YEAR 19	BODY TYPES	REMARKS	PART NUMBER	NO. REQ'D
Group 60080 CUSHION ASSEMBLY (REAR SEAT)				
49	9L72	M-19141-P Dark Gray Bedford Cord	●8L 7260080-J	1
49	9L72	M-19141-N Gray Bedford Cord	△8L 7260080-C	1
49	9L72	M-19141-N Gray Bedford Cord	●8L 7260080-G	1
49	9L72	M-19101-Q Gray Broadcloth	△8L 7260080-A	1
49	9L72	M-19101-Q Gray Broadcloth	●8L 7260080-E	1
49	9L72	Front M-19105-K Light Gray Plain Broadcloth, Rear M-19105-J Gray Shadow Stripe Broadcloth	8L 7260080-S	1
49	9L72	Front M-19105-B Light Green Plain Broadcloth, Rear M-19105-G Green Shadow Stripe Broadcloth	8L 7260080-P	1
49	9L72	Front M-19105-D Light Tan Plain Broadcloth, Rear M-19105-H Tan Shadow Stripe Broadcloth	8L 7260080-Q	1
49	9L72	M-19101-S Brown Taupe Broadcloth	△8L 7260080-B	1
49	9L72	M-19101-S Brown Taupe Broadcloth	●8L 7260080-F	1
49	9L74	M-19141-P Dark Gray Bedford Cord	●8L 7460080-J	1
49	9L74	M-19141-N Gray Bedford Cord	△8L 7460080-C	1
49	9L74	M-19141-N Gray Bedford Cord	●8L 7460080-G	1
49	9L74	M-19101-Q Gray Broadcloth	△8L 7460080-A	1
49	9L74	M-19101-Q Gray Broadcloth	●8L 7460080-E	1
49	9L74	Front M-19105-K Light Gray Plain Broadcloth, Rear M-19105-J Gray Shadow Stripe Broadcloth	8L 7460080-S	1
49	9L74	Front M-19105-B Light Green Plain Broadcloth, Rear M-19105-G Green Shadow Stripe Broadcloth	8L 7460080-P	1
49	9L74	Front M-19105-D Light Tan Plain Broadcloth, Rear M-19105-H Tan Shadow Stripe Broadcloth	8L 7460080-Q	1
49	9L74	M-19101-S Brown Taupe Broadcloth	△8L 7460080-B	1
49	9L74	M-19101-S Brown Taupe Broadcloth	●8L 7460080-F	1
49	9L76	M-5085-S Blue Bedford Cord	△8L 7660080-D	1
49	9L76	M-5085-S Blue Bedford Cord	●8L 7660080-G	1
49	9L76	M-5085-Q Green Bedford Cord	△8L 7660080-C	1
49	9L76	M-5085-Q Green Bedford Cord	●8L 7660080-F	1
49	9L76	M-5085-P Tan Bedford Cord, used on Red Leather or Tan Leather Jobs	△8L 7660080-A	1
49	9L76	M-5085-P Tan Bedford Cord, used on Red Leather or Tan Leather Jobs	●8L 7660080-E	1
49	9H72	M-19101-L Blue Gray Broadcloth	△8H 7260080-A	1
49	9H72	M-19101-L Blue Gray Broadcloth	★8H 7260080-F	1
49	9H72	M-19104-D Blue Gray Broadcloth	△8H 7260080-D	1
49	9H72	M-19104-D Blue Gray Broadcloth	★8H 7260080-J	1
49	9H72	M-19101-T Brown Stripe Broadcloth	△8H 7260080-B	1
49	9H72	M-19101-T Brown Stripe Broadcloth	★8H 7260080-G	1
49	9H72	M-19104-C Green Gray Broadcloth	△8H 7260080-C	1
49	9H72	M-19104-C Green Gray Broadcloth	★8H 7260080-H	1
49	9H72	M-19105-K Light Gray Plain Broadcloth	8H 7260080-N	1
49	9H72	M-19105-B Light Green Plain Broadcloth	8H 7260080-L	1
49	9H72	M-19105-D Light Tan Plain Broadcloth	8H 7260080-M	1
49	9H73	M-19101-L Blue Gray Broadcloth	△8H 7360080-A	1
49	9H73	M-19104-D Blue Gray Broadcloth	△8H 7360080-D	1
49	9H73	M-19101-T Brown Stripe Broadcloth	△8H 7360080-B	1
49	9H73	M-19104-C Green Gray Broadcloth	△8H 7360080-C	1
49	9H73-74	M-19101-L Blue Gray Broadcloth	★8H 7360080-F	1
49	9H73-74	M-19104-D Blue Gray Broadcloth	★8H 7360080-J	1
49	9H73-74	M-19101-T Brown Stripe Broadcloth	★8H 7360080-G	1
49	9H73-74	M-19105-K Light Gray Plain Broadcloth	8H 7360080-N	1

△ Used on cars having front seat with metal stationary foot rest welded to seat frame.

● Used on cars having front seat without foot rest.

★ Used on cars having front seat with adjustable foot rest or stationary foot rest bolted to seat frame.

Lincoln and Lincoln Cosmopolitan

BODY PARTS CATALOGUE

YEAR 19__	BODY TYPES	REMARKS	PART NUMBER	NO. REQ'D
Group 60080 CUSHION ASSEMBLY (REAR SEAT)-CONTINUED				
49	9H73-74	M-19104-C Green Gray Broadcloth	*8H 7360080-H	1
49	9H73-74	M-19105-B Light Green Plain Broadcloth	8H 7360080-L	1
49	9H73-74	M-19105-D Light Tan Plain Broadcloth	8H 7360080-M	1
49	9H74	M-19101-L Blue Gray Broadcloth	△8H 7460080-A	1
49	9H74	M-19104-D Blue Gray Broadcloth	△8H 7460080-D	1
49	9H74	M-19101-T Brown Stripe Broadcloth	△8H 7460080-B	1
49	9H74	M-19104-C Green Gray Broadcloth	△8H 7460080-C	1
49	9H76	M-19146-K Beige Whipcord, used with Red Leather	8H 7660080-G	1
49	9H76	M-19146-K Beige Whipcord, used with Tan Leather	8H 7660080-H	1
49	9H76	M-19146-M Blue Whipcord	8H 7660080-K	1
49	9H76	Blue Leather	8H 7660080-D	1
49	9H76	M-19146-L Green Whipcord	8H 7660080-J	1
49	9H76	Green Leather	8H 7660080-C	1
49	9H76	Lime Green Leather	8H 7660080-F	1
49	9H76	Red Leather	8H 7660080-A	1
49	9H76	Tan Leather	8H 7660080-B	1
49	9H76	M-19146-N Yellow Beige Whipcord, used with Yellow Leather	8H 7660080-L	1
49	9H76	M-19146-N Yellow Beige Whipcord, used with Lime Green Leather	8H 7660080-M	1
49	9H76	Yellow Leather	8H 7660080-E	1
49	9L except 76,9H except 76	Clip	358338-S	as req'd

Group 60148-9 FRAME ASSEMBLY (FRONT SEAT BACK)-TRIMMED				
49	9L72	R.H.-M-19152-T Blue Gray Broadcloth	△8L 7260148-F	1
49	9L72	L.H.-M-19152-T Blue Gray Broadcloth	△8L 7260149-F	1
49	9L72	R.H.-M-19152-T Blue Gray Broadcloth	●8L 7260148-J	1
49	9L72	L.H.-M-19152-T Blue Gray Broadcloth	●8L 7260149-J	1
49	9L72	R.H.-M-19152-L Gray Broadcloth	△8L 7260148-D	1
49	9L72	L.H.-M-19152-L Gray Broadcloth	△8L 7260149-D	1
49	9L72	R.H.-M-19152-L Gray Broadcloth	●8L 7260148-G	1
49	9L72	L.H.-M-19152-L Gray Broadcloth	●8L 7260149-G	1
49	9L72	R.H.-M-19152-V Dark Gray Broadcloth	●8L 7260148-K	1
49	9L72	L.H.-M-19152-V Dark Gray Broadcloth	●8L 7260149-K	1
49	9L72	R.H.-Upper M-19106-G Light Gray Plain Broadcloth, Lower M-19105-J Gray Shadow Stripe Broadcloth	8L 7260148-N	1
49	9L72	L.H.-Upper M-19106-G Light Gray Plain Broadcloth, Lower M-19105-J Gray Broadcloth	8L 7260149-N	1
49	9L72	R.H.-Upper M-19106-A Light Green Broadcloth, Lower M-19105-G Green Shadow Stripe	8L 7260148-L	1
49	9L72	L.H.-Upper M-19106-A Light Green Broadcloth, Lower M-19105-G Green Shadow Stripe	8L 7260149-L	1
49	9L72	R.H.-Upper M-19106-C Light Tan Plain Broadcloth, Lower M-19105-H Tan Shadow Stripe Broadcloth	8L 7260148-M	1
49	9L72	L.H.-Upper M-19106-C Light Tan Plain Broadcloth, Lower M-19105-H Tan Shadow Stripe	8L 7260149-M	1
49	9L72	R.H.-M-19152-M Brown Taupe Broadcloth	△8L 7260148-E	1
49	9L72	L.H.-M-19152-M Brown Taupe Broadcloth	△8L 7260149-E	1
49	9L72	R.H.-M-19152-M Brown Taupe Broadcloth	●8L 7260148-H	1
49	9L72	L.H.-M-19152-M Brown Taupe Broadcloth	●8L 7260149-H	1
49	9L76	R.H.-Blue Artificial Leather	△8L 7660148-H	1
49	9L76	L.H.-Blue Artificial Leather	△8L 7660149-H	1
49	9L76	R.H.-Blue Artificial Leather	●8L 7660148-M	1
49	9L76	L.H.-Blue Artificial Leather	●8L 7660149-M	1

△ Used on cars having front seat with metal stationary foot rest welded to seat frame.

● Used on cars having front seat without foot rest.

* Used on cars having front seat with adjustable foot rest or stationary foot rest bolted to seat frame.

Lincoln and Lincoln Cosmopolitan

BODY PARTS CATALOGUE

YEAR 19__	BODY TYPES	REMARKS	PART NUMBER	NO. REQ'D
Group 60148-9 FRAME ASSEMBLY (FRONT SEAT BACK)-TRIMMED-CONTINUED				
49	9L76	R.H.-Green Artificial Leather	△8L 7660148-G	1
49	9L76	L.H.-Green Artificial Leather	△8L 7660149-G	1
49	9L76	R.H.-Green Artificial Leather	●8L 7660148-L	1
49	9L76	L.H.-Green Artificial Leather	●8L 7660149-L	1
49	9L76	R.H.-Red Artificial Leather	△8L 7660148-E	1
49	9L76	L.H.-Red Artificial Leather	△8L 7660149-E	1
49	9L76	R.H.-Red Artificial Leather	●8L 7660148-J	1
49	9L76	L.H.-Red Artificial Leather	●8L 7660149-J	1
49	9L76	R.H.-Tan Artificial Leather	△8L 7660148-F	1
49	9L76	L.H.-Tan Artificial Leather	△8L 7660149-F	1
49	9L76	R.H.-Tan Artificial Leather	●8L 7660148-K	1
49	9L76	L.H.-Tan Artificial Leather	●8L 7660149-K	1
49	9H72	R.H.-M-19101-V Blue Gray Broadcloth	△8H 7260148-E	1
49	9H72	L.H.-M-19101-V Blue Gray Broadcloth	△8H 7260149-E	1
49	9H72	R.H.-M-19104-F Blue Gray Broadcloth	△8H 7260148-H	1
49	9H72	L.H.-M-19104-F Blue Gray Broadcloth	△8H 7260149-H	1
49	9H72	R.H.-M-19101-V Blue Gray Broadcloth	*8H 7260148-J	1
49	9H72	L.H.-M-19101-V Blue Gray Broadcloth	*8H 7260149-J	1
49	9H72	R.H.-M-19104-F Blue Gray Broadcloth	*8H 7260148-M	1
49	9H72	L.H.-M-19104-F Blue Gray Broadcloth	*8H 7260149-M	1
49	9H72	R.H.-Upper M-19106-H Dark Gray Plain Broadcloth, Lower M-19105-L Gray Shadow Stripe Broadcloth	8H 7260148-Q	1
49	9H72	L.H.-Upper M-19106-H Dark Gray Plain Broadcloth, Lower M-19105-L Gray Shadow Stripe Broadcloth	8H 7260149-Q	1
49	9H72	R.H.-M-19104-E Green Broadcloth	△8H 7260148-G	1
49	9H72	L.H.-M-19104-E Green Broadcloth	△8H 7260149-G	1
49	9H72	R.H.-M-19104-E Green Broadcloth	*8H 7260148-L	1
49	9H72	L.H.-M-19104-E Green Broadcloth	*8H 7260149-L	1
49	9H72	R.H.-Upper M-19106-B Dark Green Plain Broadcloth, Lower M-19105-A Green Shadow Stripe Broadcloth	8H 7260148-N	1
49	9H72	L.H.-Upper M-19106-B Dark Green Plain Broadcloth, Lower M-19105-A Green Shadow Stripe Broadcloth	8H 7260149-N	1
49	9H72	R.H.-M-19101-N Tan Broadcloth	△8H 7260148-F	1
49	9H72	L.H.-M-19101-N Tan Broadcloth	△8H 7260149-F	1
49	9H72	R.H.-M-19101-N Tan Broadcloth	*8H 7260148-K	1
49	9H72	L.H.-M-19101-N Tan Broadcloth	*8H 7260149-K	1
49	9H72	R.H.-Upper M-19106-D Dark Tan Plain Broadcloth, Lower M-19105-C Tan Shadow Stripe Broadcloth	8H 7260148-P	1
49	9H72	L.H.-Upper M-19106-D Dark Tan Plain Broadcloth, Lower M-19105-C Tan Shadow Stripe Broadcloth	8H 7260149-P	1
49	9H76	R.H.-Blue Artificial Leather	△8H 7660148-K	1
49	9H76	L.H.-Blue Artificial Leather	△8H 7660149-K	1
49	9H76	R.H.-Blue Artificial Leather	*8H 7660148-S	1
49	9H76	L.H.-Blue Artificial Leather	*8H 7660149-S	1
49	9H76	R.H.-Green Artificial Leather	△8H 7660148-J	1
49	9H76	L.H.-Green Artificial Leather	△8H 7660149-J	1
49	9H76	R.H.-Green Artificial Leather	*8H 7660148-Q	1
49	9H76	L.H.-Green Artificial Leather	*8H 7660149-Q	1
49	9H76	R.H.-Lime Green Artificial Leather	△8H 7660148-M	1
49	9H76	L.H.-Lime Green Artificial Leather	△8H 7660149-M	1
49	9H76	R.H.-Lime Green Artificial Leather	*8H 7660148-U	1
49	9H76	L.H.-Lime Green Artificial Leather	*8H 7660149-V	1

△ Used on cars having front seat with metal stationary foot rest welded to seat frame.

● Used on cars having front seat without foot rest.

* Used on cars having front seat with adjustable foot rest or stationary foot rest bolted to seat frame.

Lincoln and Lincoln Cosmopolitan

BODY PARTS CATALOGUE

YEAR 19	BODY TYPES	REMARKS	PART NUMBER	NO. REQ'D
Group 60148-9 FRAME ASSEMBLY (FRONT SEAT BACK)-TRIMMED-CONTINUED				
49	9H76	R.H.-Red Artificial Leather	△8H 7660148-G	1
49	9H76	L.H.-Red Artificial Leather	△8H 7660149-G	1
49	9H76	R.H.-Red Artificial Leather	*8H 7660148-N	1
49	9H76	L.H.-Red Artificial Leather	*8H 7660149-N	1
49	9H76	R.H.-Tan Artificial Leather	△8H 7660148-H	1
49	9H76	L.H.-Tan Artificial Leather	△8H 7660149-H	1
49	9H76	R.H.-Tan Artificial Leather	*8H 7660148-P	1
49	9H76	L.H.-Tan Artificial Leather	*8H 7660149-P	1
49	9H76	R.H.-Yellow Artificial Leather	△8H 7660148-L	1
49	9H76	L.H.-Yellow Artificial Leather	△8H 7660149-L	1
49	9H76	R.H.-Yellow Artificial Leather	*8H 7660148-T	1
49	9H76	L.H.-Yellow Artificial Leather	*8H 7660149-T	1
49	9L except 76,9H72-76	Cotter pin-1/8" x 5/8"-seat back to seat base	352358-S	2or4
49	9L76	Lockwasher-3/8"	34807-S2	2
49	9L76, 9H76	Nut (hex)-5/16"-18	33797-S7	8
49	9L72-76,9H72-76	Pin (clevis)-3/8" x 5/8"-seat back to seat base	73862-S8	4
49	9L76	Screw (binding head self tapping)-No. 10 x 1/2"	32924-S2	4
49	9H76	Screw (drive combination)-No. 4 x 3/8"	351580-S23-A1	32

Group 60152 FRAME ASSEMBLY (FRONT SEAT)-LESS SEAT AND SEAT BACK CUSHION

49	9H73-74	M-19101-V Blue Gray Broadcloth	△8H 7360152-A	1
49	9H73-74	M-19104-F Blue Gray Broadcloth	△8H 7360152-D	1
49	9H73-74	M-19101-V Blue Gray Broadcloth	*8H 7360152-F	1
49	9H73-74	M-19104-F Blue Gray Broadcloth	*8H 7360152-J	1
49	9H73-74	Upper M-19106-H Dark Gray Plain Broadcloth, Lower M-19105-L Gray Shadow Stripe Broadcloth	8H 7360152-M	1
49	9H73-74	M-19104-E Green Broadcloth	*8H 7360152-H	1
49	9H73-74	M-19104-E Green Broadcloth	△8H 7360152-C	1
49	9H73-74	Upper M-19106-B Dark Green Plain Broadcloth, Lower M-19105-A Green Shadow Stripe Broadcloth	8H 7360152-L	1
49	9H73-74	M-19101-N Tan Broadcloth	△8H 7360152-B	1
49	9H73-74	M-19101-N Tan Broadcloth	*8H 7360152-G	1
49	9H73-74	Upper M-19106-D Dark Tan Plain Broadcloth, Lower M-19105-A Tan Shadow Stripe	8H 7360152-M	1
49	9L74	M-19152-T Blue Gray Broadcloth	△8L 7360152-C	1
49	9L74	M-19152-T Blue Gray Broadcloth	●8L 7360152-G	1
49	9L74	M-19152-L Gray Broadcloth	△8L 7360152-A	1
49	9L74	M-19152-L Gray Broadcloth	●8L 7360152-E	1
49	9L74	Upper M-19106-G Light Gray Plain Broadcloth, Lower M-19105-J Gray Shadow Stripe Broadcloth	*8L 7460152-C	1
49	9L74	Upper M-19106-G Light Gray Plain Broadcloth, Lower M-19105-J Gray Shadow Stripe Broadcloth	◇8L 7460152-F	1
49	9L74	Upper M-19106-A Light Green Plain Broadcloth, Lower M-19105-G Green Shadow Stripe Broadcloth	*8L 7460152-A	1
49	9L74	Upper M-19106-A Light Green Plain Broadcloth, Lower M-19105-G Green Shadow Stripe Broadcloth	◇8L 7460152-D	1
49	9L74	Upper M-19106-C Light Tan Plain Broadcloth, Lower M-19105-H Tan Shadow Stripe Broadcloth	*8L 7460152-B	1
49	9L74	Upper M-19106-C Light Tan Plain Broadcloth, Lower M-19105-H Tan Shadow Stripe Broadcloth	◇8L 7460152-E	1
49	9L74	M-19152-M Brown Taupe Broadcloth	△8L 7360152-B	1
49	9L74	M-19152-M Brown Taupe Broadcloth	●8L 7360152-F	1

△ Used on cars having front seat with metal stationary foot rest welded to seat frame.

● Used on cars having front seat without foot rest.

* Used on cars having front seat with adjustable foot rest or stationary foot rest bolted to seat frame.

‡ Manual Control

◇ Hydraulic Control

Lincoln and Lincoln Cosmopolitan

BODY PARTS CATALOGUE

YEAR 19	BODY TYPES	REMARKS	PART NUMBER	NO. REQ'D
Group 60335 FRAME ASSEMBLY (FRONT SEAT BASE)-TRIMMED				
49	9L72	M-19152-T Blue Gray Broadcloth-Manual Control	△8L 7260335-C	1
49	9L72	M-19152-T Blue Gray Broadcloth-Manual Control-with One Tone Carpet	●8L 7260335-G	1
49	9L72	M-19152-T Blue Gray Broadcloth-Hydraulic Control-with One Tone Carpet	●8L 7260335-I	1
49	9L72	M-19152-T Blue Gray Broadcloth-Manual Control-with Two Tone Carpet	●8L 7260335-P	1
49	9L72	M-19152-T Blue Gray Broadcloth-Hydraulic Control-with Two Tone Carpet	●8L 7260335-U	1
49	9L72	M-19152-V Dark Gray Broadcloth-Manual Control-with Two Tone Carpet	●8L 7260335-V	1
49	9L72	M-19152-V Dark Gray Broadcloth-Hydraulic Control-with Two Tone Carpet	●8L 7260335-W	1
49	9L72	M-19152-L Gray Broadcloth-Manual Control	△8L 7260335-A	1
49	9L72	M-19152-L Gray Broadcloth-Manual Control-with One Tone Carpet	●8L 7260335-E	1
49	9L72	M-19152-L Gray Broadcloth-Hydraulic Control-with One Tone Carpet	●8L 7260335-J	1
49	9L72	M-19152-L Gray Broadcloth-Manual Control-with Two Tone Carpet	●8L 7260335-M	1
49	9L72	M-19152-L Gray Broadcloth-Hydraulic Control-with Two Tone Carpet	●8L 7260335-S	1
49	9L72	M-19106-G Light Gray Plain Broadcloth	⊕8L 7260335-Z	1
49	9L72	M-19106-G Light Gray Plain Broadcloth	◇8L 7260335-CA	1
49	9L72	M-19106-A Light Green Plain Broadcloth	⊕8L 7260335-X	1
49	9L72	M-19106-A Light Green Plain Broadcloth	◇8L 7260335-AA	1
49	9L72	M-19106-C Light Tan Plain Broadcloth	⊕8L 7260335-Y	1
49	9L72	M-19106-C Light Tan Plain Broadcloth	◇8L 7260335-BA	1
49	9L72	M-19152-M Brown Taupe Broadcloth-Manual Control	△8L 7260335-B	1
49	9L72	M-19152-M Brown Taupe Broadcloth-Manual Control-with One Tone Carpet	●8L 7260335-F	1
49	9L72	M-19152-M Brown Taupe Broadcloth-Hydraulic Control-with One Tone Carpet	●8L 7260335-K	1
49	9L72	M-19152-M Brown Taupe Broadcloth-Manual Control-with Two Tone Carpet	●8L 7260335-N	1
49	9L72	M-19152-M Brown Taupe Broadcloth-Hydraulic Control-with Two Tone Carpet	●8L 7260335-T	1
49	9L76	Blue Artificial Leather	△8L 7660335-D	1
49	9L76	Blue Artificial Leather-with One Tone Carpet	●8L 7660335-H	1
49	9L76	Blue Artificial Leather-with Two Tone Carpet	●8L 7660335-M	1
49	9L76	Green Artificial Leather	△8L 7660335-C	1
49	9L76	Green Artificial Leather-with One Tone Carpet	●8L 7660335-G	1
49	9L76	Green Artificial Leather-with Two Tone Carpet	●8L 7660335-L	1
49	9L76	Red Artificial Leather	△8L 7660335-A	1
49	9L76	Red Artificial Leather-with One Tone Carpet	●8L 7660335-E	1
49	9L76	Red Artificial Leather-with Two Tone Carpet	●8L 7660335-J	1
49	9L76	Tan Artificial Leather	△8L 7660335-B	1
49	9L76	Tan Artificial Leather-with One Tone Carpet	●8L 7660335-F	1
49	9L76	Tan Artificial Leather-with Two Tone Carpet	●8L 7660335-K	1

△ Used on cars having front seat with metal stationary foot rest welded to seat frame.

● Used on cars having front seat without foot rest.

⊕ Manual Control

◇ Hydraulic Control

Lincoln and Lincoln Cosmopolitan

BODY PARTS CATALOGUE

YEAR 19	BODY TYPES	REMARKS	PART NUMBER	NO. REQ'D
Group 60335 FRAME ASSEMBLY (FRONT SEAT BASE)-TRIMMED-CONTINUED				
49	9H72	M-19101-V Blue Gray Broadcloth	△8H 7260335-E	1
49	9H72	M-19101-V Blue Gray Broadcloth	★★8H 7260335-J	1
49	9H72	M-19101-V Blue Gray Broadcloth	†8H 7260335-N	1
49	9H72	M-19104-F Blue Gray Broadcloth	△8H 7260335-H	1
49	9H72	M-19104-F Blue Gray Broadcloth	★★8H 7260335-M	1
49	9H72	M-19104-F Blue Gray Broadcloth	†8H 7260335-S	1
49	9H72	M-19106-H Dark Gray Plain Broadcloth	8H 7260335-W	1
49	9H72	M-19104-E Green Broadcloth	△8H 7260335-G	1
49	9H72	M-19104-E Green Broadcloth	★★8H 7260335-L	1
49	9H72	M-19104-E Green Broadcloth-with Dark Green Two Tone Carpet	†8H 7260335-Q	1
49	9H72	M-19104-E Green Broadcloth-with Light Green Two Tone Carpet	†8H 7260335-T	1
49	9H72	M-19106-B Dark Green Plain Broadcloth	8H 7260335-U	1
49	9H72	M-19101-N Tan Broadcloth	△8H 7260335-F	1
49	9H72	M-19101-N Tan Broadcloth	★★8H 7260335-K	1
49	9H72	M-19101-N Tan Broadcloth	†8H 7260335-P	1
49	9H72	M-19106-D Dark Tan Plain Broadcloth	8H 7260335-V	1
49	9H76	Blue Artificial Leather	△8H 7660335-S	1
49	9H76	Blue Artificial Leather	★★8H 7660335-Y	1
49	9H76	Blue Artificial Leather	†8H 7660335-EA	1
49	9H76	Green Artificial Leather	△8H 7660335-Q	1
49	9H76	Green Artificial Leather	★★8H 7660335-X	1
49	9H76	Green Artificial Leather-with Dark Green Two Tone Carpet	†8H 7660335-DA	1
49	9H76	Green Artificial Leather-with Light Green Two Tone Carpet	†8H 7660335-JA	1
49	9H76	Lime Green Artificial Leather	△8H 7660335-U	1
49	9H76	Lime Green Artificial Leather	★★8H 7660335-AA	1
49	9H76	Lime Green Artificial Leather-with Dark Green Two Tone Carpet	†8H 7660335-GA	1
49	9H76	Lime Green Artificial Leather-with Light Green Two Tone Carpet	†8H 7660335-KA	1
49	9H76	Red Artificial Leather	△8H 7660335-N	1
49	9H76	Red Artificial Leather	★★8H 7660335-V	1
49	9H76	Red Artificial Leather-with Tan Carpet	†8H 7660335-BA	1
49	9H76	Red Artificial Leather-with Red Carpet	†8H 7660335-EA	1
49	9H76	Tan Artificial Leather	△8H 7660335-P	1
49	9H76	Tan Artificial Leather	★★8H 7660335-W	1
49	9H76	Tan Artificial Leather	†8H 7660335-CA	1
49	9H76	Yellow Artificial Leather	△8H 7660335-I	1
49	9H76	Yellow Artificial Leather	★★8H 7660335-Z	1
49	9H76	Yellow Artificial Leather	†8H 7660335-FA	1
49	9L 2-76, 9H72-76	Pin (clevis)-3/8" x 5/8"-seat to floor	73862-88	4
49	9L, 9H	Pin (self locking)-9/32" x 61/64"	352358-S	4

Group 60414 SUPPORT ASSEMBLY (FRONT SEAT BACK)

49	9H76	approximately 48-5/8" long	8H 7660414	1
----	------	----------------------------	------------	---

Group 60456 BRACKET (FRONT SEAT SUPPORT TO FLOOR PAN)-FRONT

49	9L except 76	with nibs	8M 7060456-A	2
49	9L except 76	without nibs	8M 7060456-B	2
49	9H		8H 7360456	4
49	9H	Lockwasher (heavy)-5/16"	34846-S2	4

△ Used on cars having front seat with metal stationary foot rest welded to seat frame.

★★ Used on cars having front seat with adjustable foot rest.

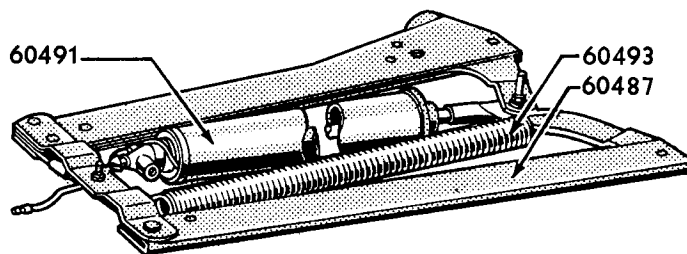
† Used on cars having front seat with stationary foot rest bolted to seat frame.

Lincoln and Lincoln Cosmopolitan

BODY PARTS CATALOGUE

YEAR 19	BODY TYPES	REMARKS	PART NUMBER	NO. REQ'D
Group 60457 BRACKET (HYDRAULIC SEAT ADJUSTER)-REAR				
49	9L76		8M 7660457	1
49	9H		8H 7360457	1
49	9L76,9H	Bolt and lockwasher assy (hex head)-1/4"-20 x 3/4"- bracket to floor pan	42906-S8	2
49	9L,9H	Locknut (hex light thick)-1/4"-20	34390-S7	2
49	9L76,9H	Locknut (hex light thick)-5/16"-24-hydraulic seat adjuster to bracket rear	34393-S7	1
49	9H	Lockwasher-5/16"-hydraulic seat adjuster to brkt. rear	34806-S2	1
49	9H	Nut (hex)-5/16"-24-hydraulic seat adjuster to brkt. rear	33784-S2	1
49	9L76,9H	Washer (flat)-5/16"	34706-S2	1

Group 60462-3 BRACKET (FRONT SEAT SUPPORT TO FLOOR PAN)-REAR				
49	9L except 76	R.H.-with nibs	8M 7060462-A	1
49	9L except 76	L.H.-with nibs	8M 7060463-A	1
49	9L except 76	R.H.-without nibs	8M 7060462-B	1
49	9L except 76	L.H.-without nibs	8M 7060463-B	1



PM-299

HYDRAULIC SEAT ADJUSTER

Group numbers only shown on illustration. Order by Part Numbers shown in list of parts.

Group 60473 SEAT ADJUSTER (HYDRAULIC)				
49	9L,9H	Consists of the following (1) 8H-7360487-A or B Frame assembly (1) 8H-7360491 Cylinder assembly (1) 8H-7360493 Spring	8H 7360473	1
Group 60487 FRAME ASSEMBLY (HYDRAULIC SEAT ADJUSTER)				
49	9L76,9H	without mounting stud	8H 7360487-A	1
49	9L,9H	with mounting stud	8H 7360487-B	1
Group 60491 CYLINDER ASSEMBLY (SEAT ADJUSTER HYDRAULIC)				
49	9L,9H		8H 7360491	1
Group 60493 SPRING (HYDRAULIC SEAT ADJUSTER)				
49	9L,9H	Red Enamel	8H 7360493	1
Group 60648 RISER ASSEMBLY (REAR SEAT)-FRONT				
49	9L76		8M 7660648	1
Group 60653 MOULDING (REAR SEAT RISER)-FRONT				
49	9L76		8M 7660653	1
40	9L76	Screw (hex head self tapping)-No. 8 x 1/2"	42006-S7	5

Lincoln and Lincoln Cosmopolitan

BODY PARTS CATALOGUE

YEAR 19	BODY TYPES	REMARKS	PART NUMBER	NO. REQ'D
Group 60768-9 PANEL ASSEMBLY (FRONT SEAT BACK GARNISH TRIM)				
49	9H73-74	R.H.-Gold Fleck Dark Gray Metallic Finish	8H 7360768-C	1
49	9H73-74	L.H.-Gold Fleck Dark Gray Metallic Finish	8H 7360769-C	1
49	9H73-74	R.H.-in Prime	8H 7360768-AP	1
49	9H73-74	L.H.-in Prime	8H 7360769-AP	1
49	9L74	Gold Fleck Dark Gray Metallic Finish-one piece style	Δ8L 7360768-AB	1
49	9L74	R.H.-in Prime	●8L 7360768-BP	1
49	9L74	L.H.-in Prime	●8L 7360769-BP	1
49	9H73-74	Nut (hex)-1/4"-20	33781-S7	4
49	9H73-74	Lockwasher-1/4"	34805-S2	4
Group 60788-9 MOULDING ASSEMBLY (FRONT SEAT BACK)				
49	9L72-76,9H72-76	R.H.-Rustless Steel	8H 7260788-B	1
49	9L72-76,9H72-76	L.H.-Rustless Steel	8H 7260789-B	1
49	9L72,9H72-76	R.H.-Chrome Finish	8H 7260788-C	1
49	9L72,9H72-76	L.H.-Chrome Finish	8H 7260789-C	1
49	9L74,9H73-74	Rustless Steel	8H 7360788-A	1
49	9L74,9H73-74	Chrome Finish	8H 7360788-B*	1
Group 60798-9 MOULDING ASSEMBLY (FRONT SEAT BACK)-LOWER				
49	9L74	R.H.-18-33/64" overall length	Δ8L 7360798-A	1
49	9L74	L.H.-18-33/64" overall length	Δ8L 7360799-A	1
49	9L74	R.H.-19-51/64" overall length	●8L 7360798-B	1
49	9L74	L.H.-19-51/64" overall length	●8L 7360799-B	1
49	9H73-74	R.H.-17-1/32" overall length	8H 7360798	1
49	9H73-74	L.H.-17-1/32" overall length	8H 7360799	1
Group 61088 PIN (FRONT SEAT BACK FRAME HINGE)-OUTER				
49	9L72-76,9H72-76	1-1/64" long	01A 7061088	2
49	9L72-76,9H72-76	57/64" long	8M 7061088	2
Group 61114 SCREW ASSEMBLY (FRONT SEAT BACK HINGE STOP ADJUSTING)-LOWER				
49	9L except 74,9H72-76		8H 7261114	2
49	9L72-76,9H72-76	Nut (hex)-5/16"-18	33922-S2	2
49	9L72,9H72	Washer (finishing)-No. 8	34885-S13	2
Group 61115 COVER (HINGE STOP ADJUSTER SCREW)				
49	9H72-76		26H 7261115	1
Group 61723 GEAR AND CROSS TUBE ASSEMBLY (FRONT SEAT)				
49	9L,9H		8L 7261723	1
Group 61795 HANDLE (FRONT SEAT LOCK LEVER)				
49	9L		7EH 7361795	1
49	9L	Bolt (round head)-No. 10-32 x 5/8"	27097-S2	2
49	9L	Lockwasher-No. 10	34803-S7	2
49	9L	Nut (hex)-No. 10-32	34079-S7	2
Group 61799 BRACKET (FRONT SEAT LOCK LEVER)				
49	9L,9H		8H 7361799	1

Δ Used on cars having front seat with metal stationary foot rest welded to seat frame.

● Used on cars having front seat without foot rest.

Lincoln and Lincoln Cosmopolitan

BODY PARTS CATALOGUE

YEAR 19	BODY TYPES	REMARKS	PART NUMBER	NO. REQ'D
Group 62152-3 SHIELD ASSEMBLY (FRONT SEAT SIDE)-LOWER-TRIMMED				
49	9L72	R.H.-M-19152-T Blue Gray Broadcloth	△8L 7262152-C	1
49	9L72	L.H.-M-19152-T Blue Gray Broadcloth	△8L 7262153-C	1
49	9L72	R.H.-M-19152-T Blue Gray Broadcloth	●8L 7262152-G	1
49	9L72	L.H.-M-19152-T Blue Gray Broadcloth-with Manual Control	●8L 7262153-G	1
49	9L72	L.H.-M-19152-T Blue Gray Broadcloth-with Hydraulic Control	●8L 7262153-L	1
49	9L72	R.H.-M-19152-M Brown Taupe Broadcloth	△8L 7262152-B	1
49	9L72	L.H.-M-19152-M Brown Taupe Broadcloth	△8L 7262153-B	1
49	9L72	R.H.-M-19152-M Brown Taupe Broadcloth	●8L 7262152-F	1
49	9L72	L.H.-M-19152-M Brown Taupe Broadcloth-with Manual Control	●8L 7262153-F	1
49	9L72	L.H.-M-19152-M Brown Taupe Broadcloth-with Hydraulic Control	●8L 7262153-K	1
49	9L72	R.H.-M-19152-V Dark Gray Broadcloth	●8L 7262152-H	1
49	9L72	L.H.-M-19152-V Dark Gray Broadcloth-with Manual Control	●8L 7262153-M	1
49	9L72	L.H.-M-19152-V Dark Gray Broadcloth-with Hydraulic Control	●8L 7262153-N	1
49	9L72	R.H.-M-19152-L Gray Broadcloth	△8L 7262152-A	1
49	9L72	L.H.-M-19152-L Gray Broadcloth	△8L 7262153-A	1
49	9L72	R.H.-M-19152-L Gray Broadcloth	●8L 7262152-E	1
49	9L72	L.H.-M-19152-L Gray Broadcloth-with Manual Control	●8L 7262153-E	1
49	9L72	L.H.-M-19152-L Gray Broadcloth-with Hydraulic Control	●8L 7262153-J	1
49	9L72	R.H.-M-19106-G Light Gray Plain Broadcloth	8L 7262152-W	1
49	9L72	L.H.-M-19106-G Light Gray Plain Broadcloth	8L 7262153-W	1
49	9L72	R.H.-M-19106-A Light Green Plain Broadcloth	8L 7262152-U	1
49	9L72	L.H.-M-19106-A Light Green Plain Broadcloth	8L 7262153-U	1
49	9L72	R.H.-M-19106-C Light Tan Plain Broadcloth	8L 7262152-V	1
49	9L72	L.H.-M-19106-C Light Tan Plain Broadcloth	8L 7262153-V	1
49	9L76	R.H.-Blue Artificial Leather	△8L 7662152-D	1
49	9L76	L.H.-Blue Artificial Leather	△8L 7662153-D	1
49	9L76	R.H.-Blue Artificial Leather	●8L 7662152-H	1
49	9L76	L.H.-Blue Artificial Leather	●8L 7662153-H	1
49	9L76	R.H.-Green Artificial Leather	△8L 7662152-C	1
49	9L76	L.H.-Green Artificial Leather	△8L 7662153-C	1
49	9L76	R.H.-Green Artificial Leather	●8L 7662152-G	1
49	9L76	L.H.-Green Artificial Leather	●8L 7662153-G	1
49	9L76	R.H.-Red Artificial Leather	△8L 7662152-A	1
49	9L76	L.H.-Red Artificial Leather	△8L 7662153-A	1
49	9L76	R.H.-Red Artificial Leather	●8L 7662152-E	1
49	9L76	L.H.-Red Artificial Leather	●8L 7662153-E	1
49	9L76	R.H.-Tan Artificial Leather	△8L 7662152-B	1
49	9L76	L.H.-Tan Artificial Leather	△8L 7662153-B	1
49	9L76	R.H.-Tan Artificial Leather	●8L 7662152-F	1
49	9L76	L.H.-Tan Artificial Leather	●8L 7662153-F	1
49	9H72	R.H.-M-19101-V Blue Gray Broadcloth	△8H 7262152-A	1
49	9H72	L.H.-M-19101-V Blue Gray Broadcloth	△8H 7262153-A	1
49	9H72	R.H.-M-19104-F Blue Gray Broadcloth	△8H 7262152-D	1
49	9H72	L.H.-M-19104-F Blue Gray Broadcloth	△8H 7262153-D	1
49	9H72	R.H.-M-19101-V Blue Gray Broadcloth	★8H 7262152-E	1
49	9H72	L.H.-M-19101-V Blue Gray Broadcloth	★8H 7262153-E	1
49	9H72	R.H.-M-19104-F Blue Gray Broadcloth	★8H 7262152-H	1
49	9H72	L.H.-M-19104-F Blue Gray Broadcloth	★8H 7262153-H	1
49	9H72	R.H.-M-19106-H Dark Gray Plain Broadcloth	8H 7262152-L	1
49	9H72	L.H.-M-19106-H Dark Gray Plain Broadcloth	8H 7262153-L	1
49	9H72	R.H.-M-19104-E Green Broadcloth	△8H 7262152-C	1
49	9H72	L.H.-M-19104-E Green Broadcloth	△8H 7262153-C	1
49	9H72	R.H.-M-19104-E Green Broadcloth	★8H 7262152-G	1
49	9H72	L.H.-M-19104-E Green Broadcloth	★8H 7262153-G	1

△ Used on cars having front seat with metal stationary foot rest welded to seat frame.

● Used on cars having front seat without foot rest.

★ Used on cars having front seat with adjustable foot rest or stationary foot rest bolted to seat frame.

Lincoln and Lincoln Cosmopolitan

BODY PARTS CATALOGUE

YEAR 19	BODY TYPES	REMARKS	PART NUMBER	NO. REQ'D
Group 62152-3 SHIELD ASSEMBLY (FRONT SEAT SIDE)-LOWER TRIMMED-CONTINUED				
49	9H72	R.H.-M-19106-B Dark Green Plain Broadcloth	8H 7262152-J	1
49	9H72	L.H.-M-19106-B Dark Green Plain Broadcloth	8H 7262153-J	1
49	9H72	R.H.-M-19101-N Tan Broadcloth	△8H 7262152-B	1
49	9H72	L.H.-M-19101-N Tan Broadcloth	△8H 7262153-B	1
49	9H72	R.H.-M-19101-N Tan Broadcloth	*8H 7262152-F	1
49	9H72	L.H.-M-19101-N Tan Broadcloth	*8H 7262153-F	1
49	9H72	R.H.-M-19106-D Dark Tan Plain Broadcloth	8H 7262152-K	1
49	9H72	L.H.-M-19106-D Dark Tan Plain Broadcloth	8H 7262153-K	1
49	9H76	R.H.-Blue Artificial Leather	△8H 7662152-D	1
49	9H76	L.H.-Blue Artificial Leather	△8H 7662153-D	1
49	9H76	R.H.-Blue Artificial Leather	*8H 7662152-K	1
49	9H76	L.H.-Blue Artificial Leather	*8H 7662153-K	1
49	9H76	R.H.-Green Artificial Leather	△8H 7662152-C	1
49	9H76	L.H.-Green Artificial Leather	△8H 7662153-C	1
49	9H76	R.H.-Green Artificial Leather	*8H 7662152-J	1
49	9H76	L.H.-Green Artificial Leather	*8H 7662153-J	1
49	9H76	R.H.-Lime Green Artificial Leather	△8H 7662152-F	1
49	9H76	L.H.-Lime Green Artificial Leather	△8H 7662153-F	1
49	9H76	R.H.-Lime Green Artificial Leather	*8H 7662152-M	1
49	9H76	L.H.-Lime Green Artificial Leather	*8H 7662153-M	1
49	9H76	R.H.-Red Artificial Leather	△8H 7662152-A	1
49	9H76	L.H.-Red Artificial Leather	△8H 7662153-A	1
49	9H76	R.H.-Red Artificial Leather	*8H 7662152-G	1
49	9H76	L.H.-Red Artificial Leather	*8H 7662153-G	1
49	9H76	R.H.-Tan Artificial Leather	△8H 7662152-B	1
49	9H76	L.H.-Tan Artificial Leather	△8H 7662153-B	1
49	9H76	R.H.-Tan Artificial Leather	*8H 7662152-H	1
49	9H76	L.H.-Tan Artificial Leather	*8H 7662153-H	1
49	9H76	R.H.-Yellow Artificial Leather	△8H 7662152-E	1
49	9H76	L.H.-Yellow Artificial Leather	△8H 7662153-E	1
49	9H76	R.H.-Yellow Artificial Leather	*8H 7662152-L	1
49	9H76	L.H.-Yellow Artificial Leather	*8H 7662153-L	1
49	9L72-76,9H72-76	Screw (hex head self tapping)-No. 10 x 1/2"	42007-S7	6
Group 62332 SUPPORT ASSEMBLY (REAR SEAT BACK FRAME)				
49	9L76		8M 7662332-A	1
Group 62410-1 BRACKET (REAR SEAT BACK FRAME SUPPORT TO FLOOR STRAINER)				
49	9L76	R.H.-use on jobs having 6-31/32" bulge on inner wheelhouse	7A 7662410	1
49	9L76	L.H.-use on jobs having 6-31/32" bulge on inner wheelhouse	7A 7662411	1
49	9L76	R.H.-use on jobs having 8-1/16" bulge on inner wheelhouse	8M 7662410	1
49	9L76	L.H.-use on jobs having 8-1/16" bulge on inner wheelhouse	8M 7662411	1
Group 62617 PIN (FRONT SEAT FOOT REST HINGE)				
49	9H76		**8H 7362617	1
Group 62621 STOP (FRONT SEAT FOOT REST)				
49	9H		**8H 7362621	2
49	9H except 76	Nut (lock)-1/4"-20	34390-S7	2

△ Used on cars having front seat with metal stationary foot rest welded to seat frame.

* Used on cars having front seat with adjustable foot rest or stationary foot rest bolted to seat frame.

** Used on cars having front seat with adjustable foot rest.

Lincoln and Lincoln Cosmopolitan

BODY PARTS CATALOGUE

YEAR 19	BODY TYPES	REMARKS	PART NUMBER	NO. REQ'D
Group 62632 FOOT REST ASSEMBLY (FRONT SEAT)-TRIMMED				
49	9H	use with Blue and Rust Tweed Scheme, Blue Pin Stripe Broadcloth or Blue Leather	†8H 7362632-K	1
49	9H	use with Brown Stripe Broadcloth Scheme, Tan Leather or Yellow Leather	†8H 7362632-L	1
49	9H	use with Green Birdseye Broadcloth Scheme or Green Leather and Lime Green Leather-with Dark Green Two Tone Carpet	†8H 7362632-M	1
49	9H	use with Green Birdseye Broadcloth Scheme or Green Leather and Lime Green Leather-with Light Green Two Tone Carpet	†8H 7362632-N	1
49	9H except 76	use with Green Narrow Stripe Scheme	8H 7362632-P	1
49	9H except 76	use with Tan Narrow Stripe Scheme	8H 7362632-Q	1
49	9H except 76	use with Gray Narrow Stripe Scheme	8H 7362632-S	1
49	9H72	use with Blue Pin Stripe Broadcloth Scheme	★★8H 7362632-D	1
49	9H72	use with Blue and Rust Tweed Scheme	★★8H 7362632-A	1
49	9H72	use with Brown Stripe Broadcloth Scheme	★★8H 7362632-B	1
49	9H72	use with Green Birdseye Broadcloth Scheme	★★8H 7362632-C	1
49	9H73-74	use with Blue and Rust Tweed Scheme	★★8H 7362632-E	1
49	9H73-74	use with Blue Pin Stripe Broadcloth Scheme	★★8H 7362632-H	1
49	9H73-74	use with Brown Stripe Broadcloth Scheme	★★8H 7362632-F	1
49	9H73-74	use with Green Birdseye Broadcloth Scheme	★★8H 7362632-G	1
49	9H76	use with Blue Leather	★★8H 7662632-D	1
49	9H76	use with Green Leather	★★8H 7662632-C	1
49	9H76	use with Lime Green Leather	★★8H 7662632-F	1
49	9H76	use with Red Leather	★★8H 7662632-A	1
49	9H76	use with Red Leather	†8H 7662632-G	1
49	9H76	use with Tan Leather	★★8H 7662632-B	1
49	9H76	use with Yellow Leather	★★8H 7662632-E	1
Group 62654 CARPET ASSEMBLY (FRONT SEAT BASE FOOT REST)				
49	9L except 76	use with Blue Bedford Cord Scheme	△8L 7362654-A	1
49	9L except 76	use with Gray Birdseye Broadcloth Scheme	△8L 7362654-C	1
49	9L except 76	use with Yellow Check Broadcloth Scheme	△8L 7362654-B	1
49	9L76	use with Blue Leather and Cord Scheme	△8L 7662654-D	1
49	9L76	use with Green Leather and Cord Trim	△8L 7662654-C	1
49	9L76	use with Red Leather and Cord Trim	△8L 7662654-A	1
49	9L76	use with Tan Leather and Cord Trim	△8L 7662654-B	1
49	9H	use with Blue and Rust Tweed Scheme, Blue Pin Stripe Broadcloth or Blue Leather	△8H 7362654-E	1
49	9H	use with Blue and Rust Tweed Scheme, Blue Pin Stripe Broadcloth Scheme or Blue Leather	†8H 7362654-P	1
49	9H	use with Brown Stripe Broadcloth Scheme, Red Leather, Tan Leather or Yellow Leather	△8H 7362654-F	1
49	9H	use with Brown Stripe Broadcloth Scheme, Tan Leather or Yellow Leather	†8H 7362654-Q	1
49	9H	use with Gray Narrow Stripe Broadcloth Scheme or Blue Leather	8H 7362654-W	1
49	9H	use with Green Birdseye Broadcloth Scheme, Green Leather or Lime Green Leather	△8H 7362654-G	1
49	9H	use with Green Birdseye Broadcloth Scheme, Green Leather or Lime Green Leather-with Dark Green Two Tone Carpet	†8H 7362654-S	1
49	9H	use with Green Birdseye Broadcloth Scheme, Green Leather or Lime Green Leather-with Light Green Two Tone Carpet	†8H 7362654-T	1
49	9H	use with Green Narrow Stripe Broadcloth Scheme, Green Leather or Lime Green Leather	8H 7362654-U	1
49	9H	use with Tan Narrow Stripe Broadcloth Scheme, Tan Leather or Yellow Leather	8H 7362654-V	1

△ Used on cars having front seat with metal stationary foot rest welded to seat frame.

★★ Used on cars having front seat with adjustable foot rest.

† Used on cars having front seat with stationary foot rest bolted to seat frame.

Lincoln and Lincoln Cosmopolitan

171

BODY PARTS CATALOGUE

YEAR 19__	BODY TYPES	REMARKS	PART NUMBER	NO. REQ'D
Group 62654 CARPET ASSEMBLY (FRONT SEAT BASE FOOT REST)-CONTINUED				
49	9H72-76	use with Blue and Rust Tweed Scheme, Blue Pin Stripe Broadcloth Scheme or Blue Leather	**8H 7362654-H	1
49	9H72-76	use with Brown Stripe Broadcloth Scheme, Red Leather, Tan Leather or Yellow Leather	**8H 7362654-K	1
49	9H72-76	use with Green Birdseye Broadcloth Scheme, Green Leather or Lime Green Leather	**8H 7362654-K	1
49	9H73-74	use with Blue and Rust Tweed Scheme or Blue Pin Stripe Broadcloth Scheme	**8H 7362654-L	1
49	9H73-74	use with Brown Stripe Broadcloth Scheme	**8H 7362654-M	1
49	9H73-74	use with Green Birdseye Broadcloth Scheme	**8H 7362654-N	1
49	9H76	use with Red Leather	†8H 7662654-E	
Group 62659 COVER (FRONT SEAT FRAME CENTER)-FRONT				
49	9L72	M-19152-T Blue Gray Broadcloth	8L 7262659-C	1
49	9L72	M-19152-M Brown Taupe Broadcloth	8L 7262659-B	1
49	9L72	M-19152-L Gray Broadcloth	8L 7262659-A	1
49	9L76	M-5085-S Blue Bedford Cord	8L 7662659	1
49	9L76	M-5085-Q Green Bedford Cord	8M 7662659-B	1
49	9L76	M-5085-P Tan Bedford Cord	8M 7662659-A	1
49	9H72	M-19104-D Blue Stripe Broadcloth	8H 7262659-D	1
49	9H72	M-19101-L Blue Gray Broadcloth	8H 7262659-A	1
49	9H72	M-19104-C Green Gray Broadcloth	8H 7262659-C	1
49	9H72	M-19101-N Tan Broadcloth	8H 7262659-B	1
49	9H76	Blue Artificial Leather	8H 7662659-D	1
49	9H76	Green Artificial Leather	8H 7662659-C	1
49	9H76	Lime Green Artificial Leather	8H 7662659-F	1
49	9H76	Red Artificial Leather	8H 7662659-A	1
49	9H76	Tan Artificial Leather	8H 7662659-B	1
49	9H76	Yellow Artificial Leather	8H 7662659-E	1
Group 62662-3 CARPET ASSEMBLY (FRONT SEAT BASE)-SIDE				
49	9L72	R.H.-use with Blue Bedford Cord Scheme	△8L 7262662-C	1
49	9L72	L.H.-use with Blue Bedford Cord Scheme	△8L 7262663-C	1
49	9L72	R.H.-use with Blue Bedford Cord Scheme-7-11/16" high	●8L 7262662-F	1
49	9L72	L.H.-use with Blue Bedford Cord Scheme-7-11/16" high	●8L 7262663-F	1
49	9L72	R.H.-use with Blue Bedford Cord Scheme-9-5/16" high-One Tone Carpet	●8L 7262662-J	1
49	9L72	L.H.-use with Blue Bedford Cord Scheme-9-5/16" high-One Tone Carpet	●8L 7262663-J	1
49	9L72	R.H.-use with Blue Bedford Cord Scheme-9-5/16" high-Two Tone Carpet	●8L 7262662-M	1
49	9L72	L.H.-use with Blue Bedford Cord Scheme-9-5/16" high-Two Tone Carpet	●8L 7262663-M	1
49	9L72	R.H.-use with Gray Birdseye Broadcloth Scheme	△8L 7262662-A	1
49	9L72	L.H.-use with Gray Birdseye Broadcloth Scheme	△8L 7262663-A	1
49	9L72	R.H.-use with Gray Birdseye Broadcloth Scheme-7-11/16" high	●8L 7262662-D	1
49	9L72	L.H.-use with Gray Birdseye Broadcloth Scheme-7-11/16" high	●8L 7262663-D	1
49	9L72	R.H.-use with Gray Birdseye Broadcloth Scheme-9-5/16" high-One Tone Carpet	●8L 7262662-G	1
49	9L72	L.H.-use with Gray Birdseye Broadcloth Scheme-9-5/16" high-One Tone Carpet	●8L 7262663-G	1

△ Used on cars having front seat with metal stationary foot rest welded to seat frame.

● Used on cars having front seat without foot rest.

** Used on cars having front seat with adjustable foot rest.

† Used on cars having front seat with stationary foot rest bolted to seat frame.

Lincoln and Lincoln Cosmopolitan

BODY PARTS CATALOGUE

YEAR 19	BODY TYPES	REMARKS	PART NUMBER	NO. REQ'D
Group 62662-3 CARPET ASSEMBLY (FRONT SEAT BASE)-SIDE-CONTINUED				
49	9L72	R.H.-use with Gray Birdseye Broadcloth Scheme-9-5/16" high-Two Tone Carpet	●8L 7262662-K	1
49	9L72	L.H.-use with Gray Birdseye Broadcloth Scheme-9-5/16" high-Two Tone Carpet	●8L 7262663-K	1
49	9L72	R.H.-use with Gray Wide Stripe Broadcloth Scheme	8L 7262662-S	1
49	9L72	L.H.-use with Gray Wide Stripe Broadcloth Scheme	8L 7262663-S	1
49	9L72	R.H.-use with Green Wide Stripe Broadcloth Scheme	8L 7262662-P	1
49	9L72	L.H.-use with Green Wide Stripe Broadcloth Scheme	8L 7262663-P	1
49	9L72	R.H.-use with Tan Wide Stripe Broadcloth Scheme	8L 7262662-Q	1
49	9L72	L.H.-use with Tan Wide Stripe Broadcloth Scheme	8L 7262663-Q	1
49	9L72	R.H.-use with Yellow Check Broadcloth Scheme	△8L 7262662-B	1
49	9L72	L.H.-use with Yellow Check Broadcloth Scheme	△8L 7262663-B	1
49	9L72	R.H.-use with Yellow Check Broadcloth Scheme-7-11/16" high	●8L 7262662-E	1
49	9L72	L.H.-use with Yellow Check Broadcloth Scheme-7-11/16" high	●8L 7262663-E	1
49	9L72	R.H.-use with Yellow Check Broadcloth Scheme-9-5/16" high-One Tone Carpet	●8L 7262662-H	1
49	9L72	L.H.-use with Yellow Check Broadcloth Scheme-9-5/16" high-One Tone Carpet	●8L 7262663-H	1
49	9L72	R.H.-use with Yellow Check Broadcloth Scheme-9-5/16" high-Two Tone Carpet	●8L 7262662-L	1
49	9L72	L.H.-use with Yellow Check Broadcloth Scheme-9-5/16" high-Two Tone Carpet	●8L 7262663-L	1
49	9L74	R.H.-use with Blue Bedford Cord Scheme-One Tone Carpet	●8L 7362662-G	1
49	9L74	L.H.-use with Blue Bedford Cord Scheme-One Tone Carpet	●8L 7362663-G	1
49	9L74	R.H.-use with Blue Bedford Cord Scheme-Two Tone Carpet	●8L 7362662-L	1
49	9L74	L.H.-use with Blue Bedford Cord Scheme-Two Tone Carpet	●8L 7362663-L	1
49	9L74	R.H.-use with Gray Birdseye Broadcloth Scheme-One Tone Carpet	●8L 7362662-E	1
49	9L74	L.H.-use with Gray Birdseye Broadcloth Scheme-One Tone Carpet	●8L 7362663-E	1
49	9L74	R.H.-use with Gray Birdseye Broadcloth Scheme-Two Tone Carpet	●8L 7362662-J	1
49	9L74	L.H.-use with Gray Birdseye Broadcloth Scheme-Two Tone Carpet	●8L 7362663-J	1
49	9L74	R.H.-use with Gray Wide Stripe Broadcloth Scheme	8L 7462662-C	1
49	9L74	L.H.-use with Gray Wide Stripe Broadcloth Scheme	8L 7462663-C	1
49	9L74	R.H.-use with Green Wide Stripe Broadcloth Scheme	8L 7462662-A	1
49	9L74	L.H.-use with Green Wide Stripe Broadcloth Scheme	8L 7462663-A	1
49	9L74	R.H.-use with Tan Wide Stripe Broadcloth Scheme	8L 7462662-B	1
49	9L74	L.H.-use with Tan Wide Stripe Broadcloth Scheme	8L 7462663-B	1
49	9L74	R.H.-use with Yellow Check Broadcloth Scheme-One Tone Carpet	●8L 7362662-F	1
49	9L74	L.H.-use with Yellow Check Broadcloth Scheme-One Tone Carpet	●8L 7362663-F	1
49	9L74	R.H.-use with Yellow Check Broadcloth Scheme-Two Tone Carpet	●8L 7362662-K	1
49	9L74	L.H.-use with Yellow Check Broadcloth Scheme-Two Tone Carpet	●8L 7362663-K	1
49	9L76	R.H.-use with Blue Leather and Cord Scheme	△8L 7662662-D	1
49	9L76	L.H.-use with Blue Leather and Cord Scheme	△8L 7662663-D	1
49	9L76	R.H.-use with Blue Leather and Cord-7-11/16" high	●8L 7662662-H	1
49	9L76	L.H.-use with Blue Leather and Cord-7-11/16" high	●8L 7662663-H	1
49	9L76	R.H.-use with Blue Leather & Cord-9-5/16" high-One Tone Carpet	●8L 7662662-M	1
49	9L76	L.H.-use with Blue Leather & Cord-9-5/16" high-One Tone Carpet	●8L 7662663-M	1
49	9L76	R.H.-use with Blue Leather and Cord-9-5/16" high-Two Tone Carpet	●8L 7662662-S	1
49	9L76	L.H.-use with Blue Leather and Cord-9-5/16" high-Two Tone Carpet	●8L 7662663-S	1
49	9L76	R.H.-use with Green Leather and Cord Scheme	△8L 7662662-C	1
49	9L76	L.H.-use with Green Leather and Cord Scheme	△8L 7662663-C	1
49	9L76	R.H.-use with Green Leather and Cord-7-11/16" high	●8L 7662662-G	1
49	9L76	L.H.-use with Green Leather and Cord-7-11/16" high	●8L 7662663-G	1
49	9L76	R.H.-use with Green Leather & Cord-9-5/16" high-One Tone Carpet	●8L 7662662-L	1
49	9L76	L.H.-use with Green Leather & Cord-9-5/16" high-One Tone Carpet	●8L 7662663-L	1

△ Used on cars having front seat with metal stationary foot rest welded to seat frame.

● Used on cars having front seat without foot rest.

Lincoln and Lincoln Cosmopolitan

BODY PARTS CATALOGUE

YEAR 19	BODY TYPES	REMARKS	PART NUMBER	NO. REQ'D
Group 62662-3 CARPET ASSY (FRONT SEAT BASE)-SIDE-CONTINUED				
49	9L76	R.H.-use with Green Leather and Cord-9-5/16"-Two Tone Carpet	●8L 7662662-Q	1
49	9L76	L.H.-use with Green Leather and Cord-9-5/16" Two Tone Carpet	●8L 7662663-Q	1
49	9L76	R.H.-use with Red Leather and Cord Scheme	△8L 7662662-A	1
49	9L76	L.H.-use with Red Leather and Cord Scheme	△8L 7662663-A	1
49	9L76	R.H.-use with Red Leather and Cord-7-11/16" high	●8L 7662662-E	1
49	9L76	L.H.-use with Red Leather and Cord-7-11/16" high	●8L 7662663-E	1
49	9L76	R.H.-use with Red Leather and Cord-9-5/16" high-One Tone Carpet	●8L 7662662-J	1
49	9L76	L.H.-use with Red Leather and Cord-9-5/16" high-One Tone Carpet	●8L 7662663-J	1
49	9L76	R.H.-use with Red Leather and Cord-9-5/16"-Two Tone Carpet	●8L 7662662-N	1
49	9L76	L.H.-use with Red Leather and Cord-9-5/16"-Two Tone Carpet	●8L 7662663-N	1
49	9L76	R.H.-use with Tan Leather and Cord Scheme	△8L 7662662-B	1
49	9L76	L.H.-use with Tan Leather and Cord Scheme	△8L 7662663-B	1
49	9L76	R.H.-use with Tan Leather and Cord-7-11/16" high	●8L 7662662-F	1
49	9L76	L.H.-use with Tan Leather and Cord-7-11/16" high	●8L 7662663-F	1
49	9L76	R.H.-use with Tan Leather and Cord-9-5/16" high-One Tone Carpet	●8L 7662662-K	1
49	9L76	L.H.-use with Tan Leather and Cord-9-5/16" high-One Tone Carpet	●8L 7662663-K	1
49	9L76	R.H.-use with Tan Leather and Cord-9-5/16"-Two Tone Carpet	●8L 7662662-P	1
49	9L76	L.H.-use with Tan Leather and Cord-9-5/16"-Two Tone Carpet	●8L 7662663-P	1
49	9H72	R.H.-use with Blue Pin Stripe Broadcloth Scheme	△8M 7262662-H	1
49	9H72	L.H.-use with Blue Pin Stripe Broadcloth Scheme	△8H 7262663-H	1
49	9H72	R.H.-use with Blue Pin Stripe Broadcloth Scheme	★8H 7262662-M	1
49	9H72	L.H.-use with Blue Pin Stripe Broadcloth Scheme	★8H 7262663-M	1
49	9H72	R.H.-use with Gray Narrow Stripe Broadcloth Scheme	8H 7262662-S	1
49	9H72	L.H.-use with Gray Narrow Stripe Broadcloth Scheme	8H 7262663-S	1
49	9H72	R.H.-use with Blue and Rust Tweed Scheme	△8H 7262662-E	1
49	9H72	L.H.-use with Blue and Rust Tweed Scheme	△8H 7262663-E	1
49	9H72	R.H.-use with Blue and Rust Tweed Scheme	★8H 7262662-J	1
49	9H72	L.H.-use with Blue and Rust Tweed Scheme	★8H 7262663-J	1
49	9H72	R.H.-use with Brown Stripe Broadcloth Scheme	△8H 7262662-F	1
49	9H72	L.H.-use with Brown Stripe Broadcloth Scheme	△8H 7262663-F	1
49	9H72	R.H.-use with Brown Stripe Broadcloth Scheme	★8H 7262662-K	1
49	9H72	L.H.-use with Brown Stripe Broadcloth Scheme	★8H 7262663-K	1
49	9H72	R.H.-use with Green Narrow Stripe Broadcloth Scheme	8H 7262662-P	1
49	9H72	L.H.-use with Green Narrow Stripe Broadcloth Scheme	8H 7262663-P	1
49	9H72	R.H.-use with Green Birdseye Broadcloth Scheme	△8H 7262662-G	1
49	9H72	L.H.-use with Green Birdseye Broadcloth Scheme	△8H 7262663-G	1
49	9H72	R.H.-use with Green Birdseye Broadcloth Schemes-with Dark Green Two Tone Carpet	★8H 7262662-L	1
49	9H72	L.H.-use with Green Birdseye Broadcloth Scheme-with Dark Green Two Tone Carpet	★8H 7262663-L	1
49	9H72	R.H.-use with Green Birdseye Broadcloth Scheme-with Light Green Two Tone Carpet	★8H 7262662-N	1
49	9H72	L.H.-use with Green Birdseye Broadcloth Scheme-with Light Green Two Tone Carpet	★8H 7262663-N	1
49	9H72	R.H.-use with Tan Narrow Stripe Broadcloth Scheme	8H 7262662-Q	1
49	9H72	L.H.-use with Tan Narrow Stripe Broadcloth Scheme	8H 7262663-Q	1
49	9H76	R.H.-use with Blue Leather	△8H 7662662-P	1
49	9H76	L.H.-use with Blue Leather	△8H 7662663-P	1
49	9H76	R.H.-use with Blue Leather	★8H 7662662-W	1
49	9H76	L.H.-use with Blue Leather	★8H 7662663-W	1
49	9H76	R.H.-use with Green Leather	△8H 7662662-N	1
49	9H76	L.H.-use with Green Leather	△8H 7662663-N	1
49	9H76	R.H.-use with Green Leather-with Dark Green Two Tone Carpet	★8H 7662662-V	1
49	9H76	L.H.-use with Green Leather-with Dark Green Two Tone Carpet	★8H 7662663-V	1

△ Used on cars having front seat with metal stationary foot rest welded to seat frame.

● Used on cars having front seat without foot rest.

★ Used on cars having front seat with adjustable foot rest or stationary foot rest bolted to seat frame.

Lincoln and Lincoln Cosmopolitan

BODY PARTS CATALOGUE

YEAR 19	BODY TYPES	REMARKS	PART NUMBER	NO. REQ'D
Group 62662-3 CARPET ASSEMBLY (FRONT SEAT BASE)-SIDE-CONTINUED				
49	9H76	R.H.-use with Green Leather-with Light Green Two Tone Carpet	*8H 7662662-AA	1
49	9H76	L.H.-use with Green Leather-with Light Green Two Tone Carpet	*8H 7662663-AA	1
49	9H76	R.H.-use with Lime Green Leather	△8H 7662662-S	1
49	9H76	L.H.-use with Lime Green Leather	△8H 7662663-S	1
49	9H76	R.H.-use with Lime Green Leather-with Dark Green Two Tone Carpet	*8H 7662662-Y	1
49	9H76	L.H.-use with Lime Green Leather-with Dark Green Two Tone Carpet	*8H 7662663-Y	1
49	9H76	R.H.-use with Lime Green Leather-with Light Green Two Tone Carpet	*8H 7662662-AB	1
49	9H76	L.H.-use with Lime Green Leather-with Light Green Two Tone Carpet	*8H 7662663-AB	1
49	9H76	R.H.-use with Red Leather	△8H 7662662-L	1
49	9H76	L.H.-use with Red Leather	△8H 7662663-L	1
49	9H76	R.H.-use with Red Leather-Tan Carpet	*8H 7662662-T	1
49	9H76	L.H.-use with Red Leather-Tan Carpet	*8H 7662663-T	1
49	9H76	R.H.-use with Red Leather-Red Carpet	*8H 7662662-Z	1
49	9H76	L.H.-use with Red Leather-Red Carpet	*8H 7662663-Z	1
49	9H76	R.H.-use with Tan Leather	△8H 7662662-M	1
49	9H76	L.H.-use with Tan Leather	△8H 7662663-M	1
49	9H76	R.H.-use with Tan Leather	*8H 7662662-U	1
49	9H76	L.H.-use with Tan Leather	*8H 7662663-U	1
49	9H76	R.H.-use with Yellow Leather	△8H 7662662-Q	1
49	9H76	L.H.-use with Yellow Leather	△8H 7662663-Q	1
49	9H76	R.H.-use with Yellow Leather	*8H 7662662-X	1
49	9H76	L.H.-use with Yellow Leather	*8H 7662663-X	1
49	9H72-76,9L except 74	Screw (drive combination)-No. 4	351530-S23-A1	3
Group 62664 CARPET ASSEMBLY (FRONT SEAT BASE FRAME TUBE)				
49	9L72	use with Blue Bedford Cord Scheme-One Tone Carpet	●8L 7262664-C	1
49	9L72	use with Blue Bedford Cord Scheme-Two Tone Carpet	●8L 7262664-F	1
49	9L72	use with Gray Birdseye Broadcloth Scheme-One Tone Carpet	●8L 7262664-A	1
49	9L72	use with Gray Birdseye Broadcloth Scheme-Two Tone Carpet	●8L 7262664-D	1
49	9L72	use with Yellow Check Broadcloth Scheme-One Tone Carpet	●8L 7262664-B	1
49	9L72	use with Yellow Check Broadcloth Scheme-Two Tone Carpet	●8L 7262664-E	1
49	9L72,9H72	use with Green Wide Stripe Scheme or Green Narrow Stripe Broadcloth Scheme	8L 7262664-G	1
49	9L72,9H72	use with Tan Wide Stripe Scheme or Tan Narrow Stripe Scheme	8L 7262664-H	1
49	9L72,9H72	use with Gray Wide Stripe Scheme or Gray Narrow Stripe Scheme	8L 7262664-J	1
49	9L76	use with Blue Leather and Cord-One Tone Carpet	●8L 7662664-A	1
49	9L76	use with Blue Leather and Cord-Two Tone Carpet	●8L 7662664-E	1
49	9L76	use with Green Leather and Cord-One Tone Carpet	●8M 7662664-F	1
49	9L76	use with Green Leather and Cord-Two Tone Carpet	●8L 7662664-D	1
49	9L76	use with Red Leather and Cord-One Tone Carpet	●8M 7662664-D	1
49	9L76	use with Red Leather and Cord-Two Tone Carpet	●8L 7662664-B	1
49	9L76	use with Tan Leather and Cord-One Tone Carpet	●8M 7662664-E	1
49	9L76	use with Tan Leather and Cord-Two Tone Carpet	●8L 7662664-C	1
49	9H72-76	use with Blue and Rust Tweed Scheme, Blue Pin Stripe Broadcloth Scheme or Blue Leather	*8H 7262664-A	1
49	9H72-76	use with Brown Stripe Broadcloth Scheme, Tan Leather, Red Leather or Yellow Leather	*8H 7262664-B	1
49	9H72-76	use with Green Birdseye Broadcloth Scheme, Green Leather or Lime Green Leather-Two Tone Carpet	*8H 7262664-C	1
49	9H72-76	use with Green Birdseye Broadcloth Scheme, Green Leather or Lime Green Leather-One Tone Carpet	*8H 7262664-D	1
49	9H76	use with Red Leather-Red Carpet	*8H 7662664	1

△ Used on cars having front seat with metal stationary foot rest welded to seat frame.

● Used on cars having front seat without foot rest.

* Used on cars having front seat with adjustable foot rest or stationary foot rest bolted to seat frame.

Lincoln and Lincoln Cosmopolitan

BODY PARTS CATALOGUE

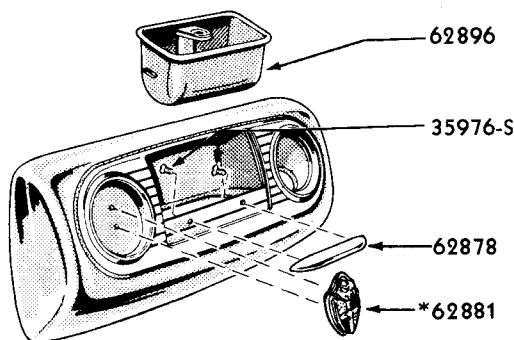
YEAR 19__	BODY TYPES	REMARKS	PART NUMBER	NO. REQ'D
Group 62670 CARPET ASSEMBLY (FRONT SEAT FRAME CENTER TOE BOARD)				
49	9L72	use with Blue Bedford Cord Scheme	△8L 7262670-C	1
49	9L72	use with Gray Birdseye Broadcloth Scheme	△8L 7262670-A	1
49	9L72	use with Yellow Check Broadcloth Scheme	△8L 7262670-B	1
49	9L74	use with Blue Bedford Cord Scheme	△8L 7362670-C	1
49	9L74	use with Gray Birdseye Broadcloth Scheme	△8L 7362670-A	1
49	9L74	use with Yellow Check Broadcloth Scheme	△8L 7362670-B	1
49	9L76	use with Blue Leather and Cord	△8L 7662670-D	1
49	9L76	use with Green Leather and Cord	△8L 7662670-C	1
49	9L76	use with Red Leather and Cord	△8L 7662670-A	1
49	9L76	use with Tan Leather and Cord	△8L 7662670-B	1
49	9H72	use with Blue and Rust Tweed Scheme	△8H 7262670-E	1
49	9H72	use with Blue Pin Stripe Broadcloth Scheme	△8H 7262670-H	1
49	9H72	use with Brown Stripe Broadcloth Scheme	△8H 7262670-F	1
49	9H72	use with Green Birdseye Broadcloth Scheme	△8H 7262670-G	1
49	9H73-74	use with Blue & Rust Tweed Scheme or Blue Pin Stripe Broadcloth Scheme	△8H 7362670-E	1
49	9H73-74	use with Brown Stripe Broadcloth Scheme	△8H 7362670-F	1
49	9H73-74	use with Green Birdseye Broadcloth Scheme	△8H 7362670-G	1
49	9H76	use with Blue Leather	△8H 7662670-P	1
49	9H76	use with Green Leather	△8H 7662670-N	1
49	9H76	use with Lime Green Leather	△8H 7662670-S	1
49	9H76	use with Red Leather	△8H 7662670-L	1
49	9H76	use with Tan Leather	△8H 7662670-M	1
49	9H76	use with Yellow Leather	△8H 7662670-Q	1
49	9L,9H	Screw (drive-combination)-No. 4	351580-S28-A1	2
Group 62694 COVER ASSEMBLY (FRONT SEAT BASE STRAINER)-REAR				
49	9L except 76	use with Green Wide Stripe Scheme	8L 7262694-A	2
49	9L except 76	use with Gray Wide Stripe Scheme	8L 7262694-C	2
49	9L except 76	use with Tan Wide Stripe Scheme	8L 7262694-B	2
Group 62800 CORD ASSEMBLY (FRONT SEAT BACK ROBE)				
49	9L72	use with Blue Bedford Cord Scheme	8L 7262800-C	2
49	9L72	use with Gray Birdseye Broadcloth Scheme	8L 7262800-A	2
49	9L72	use with Gray Wide Stripe Scheme	8L 7262800-F	2
49	9L72	use with Green Wide Stripe Scheme	8L 7262800-D	2
49	9L72	use with Tan Wide Stripe Scheme	8L 7262800-E	2
49	9L72	use with Yellow Check Broadcloth Scheme	8L 7262800-B	2
49	9L74	use with Blue Bedford Cord Scheme	8L 7362800-C	1
49	9L74	use with Gray Birdseye Broadcloth Scheme	8L 7362800-A	1
49	9L74	use with Gray Wide Stripe Broadcloth Scheme	8L 7362800-F	1
49	9L74	use with Green Wide Stripe Broadcloth Scheme	8L 7362800-D	1
49	9L74	use with Yellow Check Broadcloth Scheme	8L 7362800-B	1
49	9L74	use with Tan Wide Stripe Broadcloth Scheme	8L 7362800-E	1
49	9L76, 9H76	use with Blue Leather	8H 7662800-D	2
49	9L76, 9H76	use with Green Leather	8H 7662800-C	2
49	9L76, 9H76	use with Red Leather	8H 7662800-A	2
49	9L76, 9H76	use with Tan Leather	8H 7662800-B	2
49	9H72	use with Blue and Rust Tweed Scheme and Blue Pin Stripe Broadcloth Scheme	8H 7262800-A	2
49	9H72	use with Brown Stripe Broadcloth Scheme	8H 7262800-B	2
49	9H72	use with Gray Narrow Stripe Scheme	8H 7262800-H	2
49	9H72	use with Green Birdseye Broadcloth Scheme	8H 7262800-C	2
49	9H72	use with Green Narrow Stripe Scheme	8H 7262800-E	2
49	9H72	use with Tan Narrow Stripe Scheme	8H 7262800-F	2

△ Used on cars having front seat with metal stationary foot rest welded to seat frame.

Lincoln and Lincoln Cosmopolitan

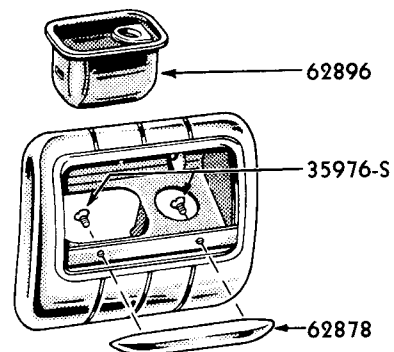
BODY PARTS CATALOGUE

YEAR 19	BODY TYPES	REMARKS	PART NUMBER	NO. REQ'D
Group 62800 CORD ASSEMBLY (FRONT SEAT BACK ROBE)-CONTINUED				
49	9H73-74	use with Blue and Rust Tweed Scheme or Blue Pin Stripe Broadcloth Scheme	8H 7362800-A	1
49	9H73-74	use with Brown Stripe Broadcloth Scheme	8H 7362800-B	1
49	9H73-74	use with Gray Narrow Stripe Broadcloth Scheme	8H 7362800-P	1
49	9H73-74	use with Green Birdseye Broadcloth Scheme	8H 7362800-C	1
49	9H73-74	use with Green Narrow Stripe Broadcloth Scheme	8H 7362800-L	1
49	9H73-74	use with Tan Narrow Stripe Broadcloth Scheme	8H 7362800-M	1
49	9H76	use with Lime Green Leather	8H 7662800-F	2
49	9H76	use with Yellow Leather	8H 7662800-E	2
49	9L72-76,9H72-76	Screw (Phillips-oval head)-No. 12-24 x 3/4"	352404-S8	4
Group 62808 ANCHOR (ROBE CORD)				
49	9L72-76,9H72-76		8H 7262808	4
49	9L72-74,9H72-76	Screw (flat head)-No. 12-24 x 11/16"-plate to robe cord	24656-S	4
49	9L72-76,9H72-76	Screw and lockwasher assy (round head)-No. 12-24 x 1"	43236-S8	8
Group 62810-1 HANDLE (FRONT SEAT BACK ROBE CORD)				
49	9L74,9H73-74	R.H.	8H 7362810	1
49	9L74,9H73-74	L.H.	8H 7362811	1
49	9H73-74	Lockwasher (internal tooth)-No. 12	34904-S2	8
49	9L74,9H73-74	Lockwasher (split ring)-No. 12	34824-S2	2
49	9H73-74	Screw (round head)-No. 12-24 x 1"	26546-S	2
49	9L74,9H73-74	Screw (round head)-No. 12-24 x 1-5/8"	26586-S8	2
49	9L74,9H73-74	Screw (round head)-No. 12-24 x 1/2"	26482-S7	2
Group 62814 HOOK (FRONT SEAT ROBE CORD)				
49	9L74,9H73-74		8H 7362814	1
49	9L74,9H73-74	Lockwasher (split ring)-No. 12	34824-S2	2
49	9L74,9H73-74	Screw (round head)-No. 12-24 x 1/2"	26482-S7	2
Group 62866 RECEPTACLE ASSEMBLY (FRONT SEAT BACK ASH TRAY)				
49	9L74		8L 7362866	1



8H-7262869

*NOT INCLUDED IN THIS ASSY



8H-7362869

PL-333

Group numbers only shown on illustration. Order by Part Numbers shown in list of parts.

Lincoln and Lincoln Cosmopolitan

BODY PARTS CATALOGUE

YEAR 19	BODY TYPES	REMARKS	PART NUMBER	NO. REQ'D
Group 62869 ASH RECEPTACLE ASSY FRONT SEAT BACK)-COMPLETE-LESS LIGHTER AND EMBLEM				
49	9L		8H 7262869	1or2
49	9L74		△8L 7362869	1
49	9H72-76		8H 7262869	2
49	9H73-74	without cup for lighter	8H 7362869-A	1
49	9H73-74	with cup for lighter	8H 7362869-B	1
49	9H72-76	Lockwasher-3/8"	34807-82	1
49	9L72-76,9H72-76	Nut (hex)-3/8"-24	33925-87	2
49	9H73-74	Screw (binding head self tapping)-No. 8 x 1/2"	32923-87	4
49	9L72,9H72-76	Screw (binding head)-No. 10 x 1/2"	52345-88	4
49	9L,9H72-76	Screw (flat head)-No. 6 x 3/8"	35976-87	2
49	9L74	Screw (round head)-No. 8 x 1/2"	32793-S13	2
49	9L74	Screw (Phillips self tapping)-No. 8-5/8"	350066-S13	1
Group 62878 HANDLE (FRONT SEAT BACK ASH RECEPTACLE)				
49	9L		8H 7262878	1or2
49	9L74		△8L 7362878	1
49	9H72-76		8H 7262878	2
49	9L except 74,9H72-76	Screw (flat head machine)-No. 6-32 x 3/8"	35976-87	as req'd
Group 62881 EMBLEM (FRONT SEAT BACK ASH RECEPTACLE CASE)				
49	9H73-74		8H 7362881	1
Group 62896 BOX AND SNUFFLER ASSEMBLY (FRONT SEAT BACK ASH RECEPTACLE)				
49	9L,9H72-76		8H 7262896	2
49	9H73-74		8H 7362896	1
Group 62900 COVER ASSEMBLY (FRONT SEAT CUSHION)				
49	9L72	M-19141-N Gray Bedford Cord-One Tone Carpet	●8L 7262900-G	1
49	9L72	M-19141-N Gray Bedford Cord-Two Tone Carpet	●8L 7262900-L	1
49	9L72	M-19141-P Dark Gray Bedford Cord-Two Tone Carpet	●8L 7262900-N	1
49	9L72	M-19101-Q Gray Broadcloth-One Tone Carpet	●8L 7262900-E	1
49	9L72	M-19101-Q Gray Broadcloth-Two Tone Carpet	●8L 7262900-J	1
49	9L72	Front M-19105-K Light Gray Plain Broadcloth, Rear M-19105-J Gray Shadow Stripe Broadcloth	8L 7262900-W	1
49	9L72	Front M-19105-B Light Green Plain Broadcloth, Rear M-19105-G Green Shadow Stripe Broadcloth	8L 7262900-U	1
49	9L72	Front M-19105-D Light Tan Plain Broadcloth, Rear M-19105-H Tan Shadow Stripe Broadcloth	8L 7262900-V	1
49	9L72	M-19101-S Brown Taupe Broadcloth-One Tone Carpet	●8L 7262900-F	1
49	9L72	M-19101-S Brown Taupe Broadcloth-Two Tone Carpet	●8L 7262900-K	1
49	9L except 76	M-19141-N Gray Bedford Cord	△8L 7362900-C	1
49	9L except 76	M-19101-Q Gray Broadcloth	△8L 7362900-A	1
49	9L except 76	M-19101-S Brown Taupe Broadcloth	△8L 7362900-B	1
49	9L74	M-19141-P Dark Gray Bedford Cord-Two Tone Carpet	●8L 7362900-N	1
49	9L74	M-19101-Q Gray Broadcloth-One Tone Carpet	●8L 7362900-E	1
49	9L74	M-19101-Q Gray Broadcloth-Two Tone Carpet	●8L 7362900-J	1
49	9L74	M-19141-N Gray Bedford Cord One Tone Carpet	●8L 7362900-G	1
49	9L74	M-19141-N Gray Bedford Cord-Two Tone Carpet	●8L 7362900-L	1

△ Used on cars having front seat with metal stationary foot rest welded to seat frame.

● Used on cars having front seat without foot rest.

Lincoln and Lincoln Cosmopolitan

BODY PARTS CATALOGUE

YEAR 19	BODY TYPES	REMARKS	PART NUMBER	NO. REQ'D
Group 62900 COVER ASSEMBLY (FRONT SEAT CUSHION)-CONTINUED				
49	9L74	Front M-19105-K Light Gray Plain Broadcloth, Rear M-19105-J Gray Shadow Stripe Broadcloth	8L 7462900-G	1
49	9L74	Front M-19105-B Light Green Plain Broadcloth, Rear M-19105-G Green Shadow Stripe Broadcloth	8L 7462900-E	1
49	9L74	Front M-19105-D Light Tan Plain Broadcloth, Rear M-19105-H Tan Shadow Stripe Broadcloth	8L 7462900-F	1
49	9L74	M-19101-S Brown Taupe Broadcloth-One Tone Carpet	●8L 7362900-F	1
49	9L74	M-19101-S Brown Taupe Broadcloth-Two Tone Carpet	●8L 7362900-K	1
49	9L76	M-5085-S Blue Bedford Cord	△8L 7662900-D	1
49	9L76	M-5085-S Blue Bedford Cord-One Tone Carpet	●8L 7662900-H	1
49	9L76	M-5085-S Blue Bedford Cord-Two Tone Carpet	●8L 7662900-M	1
49	9L76	M-5085-Q Green Bedford Cord	△8L 7662900-C	1
49	9L76	M-5085-Q Green Bedford Cord-One Tone Carpet	●8L 7662900-G	1
49	9L76	M-5085-Q Green Bedford Cord-Two Tone Carpet	●8L 7662900-L	1
49	9L76	M-5085-P Tan Bedford Cord-for Red Leather Trim	△8L 7662900-A	1
49	9L76	M-5085-P Tan Bedford Cord-for Red Leather Trim-One Tone Carpet	●8L 7662900-E	1
49	9L76	M-5085-P Tan Bedford Cord-for Red Leather Trim-Two Tone Carpet	●8L 7662900-J	1
49	9L76	M-5085-P Tan Bedford Cord-for Tan Leather Trim	△8L 7662900-B	1
49	9L76	M-5085-P Tan Bedford Cord-for Tan Leather Trim-One Tone Carpet	●8L 7662900-F	1
49	9L76	M-5085-P Tan Bedford Cord-for Tan Leather Trim-Two Tone Carpet	●8L 7662900-K	1
49	9H72	M-19104-D Blue Stripe Broadcloth	*8H 7262900-H	1
49	9H72	M-19101-L Blue Gray Broadcloth	*8H 7262900-E	1
49	9H72	M-19101-T Brown Stripe Broadcloth	*8H 7262900-F	1
49	9H72	M-19105-K Light Gray Plain Broadcloth	8H 7262900-N	1
49	9H72	M-19104-C Green Gray Broadcloth-with One Tone Carpet	*8H 7262900-K	1
49	9H72	M-19104-C Green Gray Broadcloth with Two Tone Carpet	*8H 7262900-G	1
49	9H72	M-19105-B Light Green Plain Broadcloth	8H 7262900-L	1
49	9H72	M-19105-D Light Tan Plain Broadcloth	8H 7262900-M	1
49	9H except 76	M-19104-D Blue Stripe Broadcloth	△8H 7362900-J	1
49	9H except 76	M-19101-L Blue Gray Broadcloth	△8H 7362900-F	1
49	9H except 76	M-19101-T Brown Stripe Broadcloth	△8H 7362900-G	1
49	9H except 76	M-19104-C Green Gray Broadcloth	△8H 7362900-H	1
49	9H73-74	M-19104-D Blue Stripe Broadcloth	*8H 7362900-N	1
49	9H73-74	M-19101-L Blue Gray Broadcloth	*8H 7362900-K	1
49	9H73-74	M-19101-T Brown Stripe Broadcloth	*8H 7362900-L	1
49	9H73-74	M-19105-K Light Gray Plain Broadcloth	8H 7362900-U	1
49	9H73-74	M-19104-C Green Gray Broadcloth-with One Tone Carpet	*8H 7362900-Q	1
49	9H73-74	M-19104-C Green Gray Broadcloth-with Two Tone Carpet	*8H 7362900-M	1
49	9H73-74	M-19105-B Light Green Plain Broadcloth	8H 7362900-S	1
49	9H73-74	M-19105-D Light Tan Plain Broadcloth	8H 7362900-T	1
49	9H76	M-19146-K Beige Whipcord	△8H 7662900-V	1
49	9H76	M-19146-K Beige Whipcord with Red Carpet	*8H 7662900-QA	1
49	9H76	M-19146-K Beige Whipcord with Tan Carpet	*8H 7662900-GA	1
49	9H76	M-19146-M Blue Whipcord	△8H 7662900-X	1
49	9H76	M-19146-M Blue Whipcord	*8H 7662900-JA	1
49	9H76	Blue Leather One or Two Tone Leather Trim	△8H 7662900-S	1
49	9H76	Blue Leather One or Two Tone Leather Trim	*8H 7662900-DA	1
49	9H76	M-19146-L Green Whipcord	△8H 7662900-W	1
49	9H76	M-19146-L Green Whipcord with One Tone Carpet	*8H 7662900-SA	1
49	9H76	M-19146-L Green Whipcord with Two Tone Carpet	*8H 7662900-HA	1

△ Used on cars having front seat with metal stationary foot rest welded to seat frame.

● Used on cars having front seat without foot rest.

* Used on cars having front seat with adjustable foot rest or stationary foot rest bolted to seat frame.

Lincoln and Lincoln Cosmopolitan

BODY PARTS CATALOGUE

YEAR	BODY TYPES	REMARKS	PART NUMBER	NO. REQ'D
19				
Group 62900 COVER ASSEMBLY (FRONT SEAT CUSHION)-CONTINUED				
49	9H76	Green Leather One or Two Tone Leather Trim	△8H 7662900-Q	1
49	9H76	Green Leather One or Two Tone Leather Trim with One Tone Carpet	*8H 7662900-NA	1
49	9H76	Green Leather One or Two Tone Leather Trim with Two Tone Carpet	*8H 7662900-CA	1
49	9H76	Lime Green Leather One or Two Tone Leather Trim	△8H 7662900-U	1
49	9H76	Lime Green Leather One or Two Tone Leather Trim with One Tone Carpet	*8H 7662900-PA	1
49	9H76	Lime Green Leather One or Two Tone Leather Trim with Two Tone Carpet	*8H 7662900-FA	1
49	9H76	M-19146-N Yellow Beige Whipcord with Yellow Leather Trim	△8H 7662900-Y	1
49	9H76	M-19146-N Yellow Beige Whipcord with Lime-Green Leather Trim	△8H 7662900-Z	1
49	9H76	M-19146-N Yellow Beige Whipcord	*8H 7662900-KA	1
49	9H76	M-19146-N Yellow Beige Whipcord with One Tone Carpet	*8H 7662900-TA	1
49	9H76	M-19146-N Yellow Beige Whipcord with Two Tone Carpet	*8H 7662900-LA	1
49	9H76	Red Leather One or Two Tone Leather Trim	△8H 7662900-N	1
49	9H76	Red Leather One or Two Tone Leather Trim with Tan Carpet	*8H 7662900-AA	1
49	9H76	Red Leather One or Two Tone Leather Trim with Red Carpet	*8H 7662900-MA	1
49	9H76	Tan Leather One or Two Tone Leather Trim	△8H 7662900-P	1
49	9H76	Tan Leather One or Two Tone Leather Trim	*8H 7662900-BA	1
49	9H76	Yellow Leather One or Two Tone Leather Trim	△8H 7662900-T	1
49	9H76	Yellow Leather One or Two Tone Leather Trim	*8A 7662900-EA	1
Group 63200 PAD ASSEMBLY (FRONT CUSHION)-UPPER				
49	9L,9H	Cotton	7EH 7363200	1
49	9H76		△8H 7663200	1
49	9L76	Clip	358338-S	20
Group 63200 PAD ASSEMBLY (FRONT CUSHION)-REAR				
49	9L except 76	Cotton-use with Bolster Type Cushion	8L 7263200	1
Group 63204 PAD ASSEMBLY (FRONT CUSHION)-FRONT				
49	9L except 76	Cotton-use with Bolster Type Cushion	8L 7263204	1
Group 63206 PAD (FRONT SEAT CUSHION)-LOWER				
49	9L,9H	Sponge Rubber	7EH 7363206	1
49	9L72-74	Sponge Rubber-use with Bolster Type Cushion	8L 7263206	1
49	9L76	Clip	358338-S	20
Group 63234 SPRING (FRONT SEAT ADJUSTMENT TENSION)-FRONT				
49	9L		8H 7363234	1
Group 63242-3 PAD (FRONT SEAT CUSHION)-PLEAT				
49	9H except 76	R.H.-Sponge Rubber	8H 7363242-B	1
49	9H except 76	L.H.-Sponge Rubber	8H 7363243-B	1
Group 63398-9 PAD (REAR SEAT CUSHION)-PLEAT				
49	9H72	R.H.-Sponge Rubber	8H 7263398-B	1
49	9H72	L.H.-Sponge Rubber	8H 7263399-B	1
49	9H73-74	R.H.-Sponge Rubber	8H 7363398-B	1
49	9H73-74	L.H.-Sponge Rubber	8H 7363399-B	1

△ Used on cars having front seat with metal stationary foot rest welded to seat frame.

* Used on cars having front seat with adjustable foot rest or stationary foot rest bolted to seat frame.

Lincoln and Lincoln Cosmopolitan

BODY PARTS CATALOGUE

YEAR 19	BODY TYPES	REMARKS	PART NUMBER	NO. REQ'D
Group 63500 BUTTON ASSEMBLY (SEAT TRIM)				
49	9H except 76	use with Gray Narrow Stripe Scheme	8H 7363500-C	13
49	9H except 76	use with Green Narrow Stripe Scheme	8H 7363500-A	13
49	9H except 76	use with Tan Narrow Stripe Scheme	8H 7363500-B	13
Group 63504 BUTTON BAND (SEAT BACK CUSHION)				
49	9H72	approximately 20-1/2" long	8H 7263504	2
49	9H73-74	approximately 48" long	8H 7363504	1
Group 63518 BUTTON STRAP (FRONT BACK CUSHION)				
49	9H except 76	6" long	8H 7363518	as req'd
Group 63804 COVER ASSEMBLY (REAR SEAT CUSHION)				
49	9L72	M-19141-P Dark Gray Bedford Cord	●8L 7263804-J	1
49	9L72	M-19101-Q Gray Broadcloth	△8L 7263804-A	1
49	9L72	M-19101-Q Gray Broadcloth	●8L 7263804-E	1
49	9L72	M-19141-N Gray Bedford Cord	△8L 7263804-C	1
49	9L72	M-19141-N Gray Bedford Cord	●8L 7263804-G	1
49	9L72	Front M-19105-K Light Gray Plain Broadcloth, Rear M-19105-J Gray Shadow Stripe Broadcloth	8L 7263804-S	1
49	9L72	Front M-19105-B Light Green Plain Broadcloth, Rear M-19105-G Green Shadow Stripe Broadcloth	8L 7263804-P	1
49	9L72	Front M-19105-D Light Tan Plain Broadcloth, Rear M-19105-H Tan Shadow Stripe Broadcloth	8L 7263804-Q	1
49	9L72	M-19101-S Brown Taupe Broadcloth	△8L 7263804-B	1
49	9L72	M-19101-S Brown Taupe Broadcloth	●8L 7263804-F	1
49	9L74	M-19141-P Dark Gray Bedford	●8L 7463804-J	1
49	9L74	M-19101-Q Gray Broadcloth	△8L 7463804-A	1
49	9L74	M-19101-Q Gray Broadcloth	●8L 7463804-E	1
49	9L74	M-19141-N Gray Bedford Cord	△8L 7463804-C	1
49	9L74	M-19141-N Gray Bedford Cord	●8L 7463804-G	1
49	9L74	Front M-19105-K Light Gray Plain Broadcloth, Rear M-19105-J Gray Shadow Stripe Broadcloth	8L 7463804-S	1
49	9L74	Front M-19105-B Light Green Plain Broadcloth, Rear M-19105-G Green Shadow Stripe Broadcloth	8L 7463804-P	1
49	9L74	Front M-19105-D Light Tan Plain Broadcloth, Rear M-19105-H Tan Shadow Stripe Broadcloth	8L 7463804-Q	1
49	9L74	M-19101-S Brown Taupe Broadcloth	△8L 7463804-B	1
49	9L74	M-19101-S Brown Taupe Broadcloth	●8L 7463804-F	1
49	9L76	M-5085-S Blue Bedford Cord	△8L 7663804-D	1
49	9L76	M-5085-S Blue Bedford Cord	●8L 7663804-G	1
49	9L76	M-5085-Q Green Bedford Cord	△8L 7663804-C	1
49	9L76	M-5085-Q Green Bedford Cord	●8L 7663804-F	1
49	9L76	M-5085-P Tan Bedford Cord use with Red or Tan Leather Trim	△8L 7663804-A	1
49	9L76	M-5085-P Tan Bedford Cord use with Red or Tan Leather Trim	●8L 7663804-E	1
49	9H72	M-19104-D Blue Stripe Broadcloth	△8H 7263804-D	1
49	9H72	M-19104-D Blue Stripe Broadcloth	*8H 7262804-J	1
49	9H72	M-19101-L Blue Gray Broadcloth	△8H 7263804-A	1
49	9H72	M-19101-L Blue Gray Broadcloth	*8H 7262804-F	1
49	9H72	M-19101-T Brown Stripe Broadcloth	△8H 7263804-B	1
49	9H72	M-19101-T Brown Stripe Broadcloth	*8H 7262804-G	1

△ Used on cars having front seat with metal stationary foot rest welded to seat frame.

● Used on cars having front seat without foot rest.

* Used on cars having front seat with adjustable foot rest or stationary foot rest bolted to seat frame.

Lincoln and Lincoln Cosmopolitan

BODY PARTS CATALOGUE

YEAR 19	BODY TYPES	REMARKS	PART NUMBER	NO. REQ'D
Group 63804 COVER ASSEMBLY (REAR SEAT CUSHION)-CONTINUED				
49	9H72	M-19105-K Light Gray Broadcloth	8H 7263804-N	1
49	9H72	M-19104-C Green Gray Broadcloth	Δ8H 7263804-C	1
49	9H72	M-19104-C Green Gray Broadcloth	*8H 7262804-E	1
49	9H72	M-19105-B Light Green Plain Broadcloth	8H 7263804-L	1
49	9H72	M-19105-D Light Tan Plain Broadcloth	8H 7263804-M	1
49	9H73	M-19104-D Blue Stripe Broadcloth	Δ8H 7363804-D	1
49	9H73	M-19101-L Blue Gray Broadcloth	Δ8H 7363804-A	1
49	9H73	M-19101-T Brown Stripe Broadcloth	Δ8H 7363804-B	1
49	9H73	M-19104-C Green Gray Broadcloth	Δ8H 7363804-C	1
49	9H73-74	M-19104-D Blue Stripe Broadcloth	*8H 7363804-J	1
49	9H73-74	M-19101-L Blue Gray Broadcloth	*8H 7363804-F	1
49	9H73-74	M-19101-T Brown Stripe Broadcloth	*8H 7363804-G	1
49	9H73-74	M-19105-K Light Gray Plain Broadcloth	8H 7363804-N	1
49	9H73-74	M-19104-C Green Gray Broadcloth	*8H 7363804-H	1
49	9H73-74	M-19105-B Light Green Plain Broadcloth	8H 7363804-L	1
49	9H73-74	M-19105-D Light Tan Plain Broadcloth	8H 7363804-M	1
49	9H74	M-19104-D Blue Stripe Broadcloth	Δ8H 7363804-D	1
49	9H74	M-19101-L Blue Gray Broadcloth	Δ8H 7363804-A	1
49	9H74	M-19101-T Brown Stripe Broadcloth	Δ8H 7363804-B	1
49	9H74	M-19104-C Green Gray Broadcloth	Δ8H 7363804-C	1
49	9H76	M-19146-K Beige Whipcord use with Red or Tan Leather Trim.	8H 7663804-G	1
49	9H76	M-19146-M Blue Whipcord	8H 7663804-J	1
49	9H76	Blue Leather One or Two Tone Leather Trim	8H 7663804-D	1
49	9H76	M-19146-L Green Whipcord	8H 7663804-H	1
49	9H76	Green Leather One or Two Tone Leather Trim	8H 7663804-C	1
49	9H76	Lime Green Leather One or Two Tone Leather Trim	8H 7663804-F	1
49	9H76	Red Leather One or Two Tone Leather Trim	8H 7663804-A	1
49	9H76	Tan Leather One or Two Tone Leather Trim	8H 7663804-B	1
49	9H76	Yellow Leather One or Two Tone Leather Trim	8H 7663804-E	1
49	9H76	M-19146-N Yellow Beige Whipcord use with Yellow or Lime Green Leather Trim	8H 7663804-K	1
49	9H72	Washer (flat)-1/4"	34705-S2	45
Group 63840 PAD ASSEMBLY (REAR SEAT CUSHION)-UPPER				
49	9L72	Cotton	8L 7063840	1
49	9L74, 9H except 76	Cotton	8L 7363840	1
49	9L76	Cotton	8M 7663840	1
49	9H73-74	Cotton	Δ7EH 7363840	1
49	9H76	Cotton	8H 7663840	1
49	9L76	Clip	358338-S	30
Group 63840 PAD ASSEMBLY (REAR CUSHION)-REAR				
49	9L72	Cotton-use with Bolster Type Cushion-69-9/16" long	8L 7263840	1
49	9L74	Cotton-use with Bolster Type Cushion-70-1/2" long	8L 7463840	1
Group 63846 PAD (REAR SEAT CUSHION SPRING)				
49	9L72	Sponge Rubber-use with Plain Type Cushion	8L 7263846-A	1
49	9L72	Sponge Rubber-use with Bolster Type Cushion	8L 7263846-B	1
49	9L74	Sponge Rubber-use with Plain Type Cushion	8L 7463846-A	1
49	9L74	Sponge Rubber-use with Bolster Type Cushion	8L 7463846-B	1
49	9L76	Sponge Rubber	8L 7663846	1
Δ Used on cars having front seat with metal stationary foot rest welded to seat frame.				
* Used on cars having front seat with adjustable foot rest or stationary foot rest bolted to seat frame.				

Lincoln and Lincoln Cosmopolitan

BODY PARTS CATALOGUE

YEAR 19	BODY TYPES	REMARKS	PART NUMBER	NO. REQ'D
Group 63846 PAD (REAR SEAT CUSHION SPRING)-CONTINUED				
49	9H72	Sponge Rubber-with Listing	8H 7263846-A	1
49	9H72	Sponge Rubber-without Listing	8H 7263846-B	1
49	9H73	Sponge Rubber	△7EH 7363846	1
49	9E73-74	Sponge Rubber-with Listing	8H 7463846-A	1
49	9E73-74	Sponge Rubber-without Listing	8H 7263846-B	1
49	9H76	Sponge Rubber	8H 7663846	1
49	9L76, 9H74	Clip	358338-S	30
Group 63860 ROLL ASSEMBLY (REAR SEAT CUSHION CORNER)				
49	9L72	rear seat back corner and center arm rest top-8" long	8M 7263860	3
49	9L74	center arm rest top-8" long	8M 7263860	1
Group 63860 PAD ASSEMBLY (REAR CUSHION)-FRONT				
49	9L72	Cotton-use with Bolster Type Cushion-69-1/2" long	8L 7263860	1
49	9L74	Cotton-use with Bolster Type Cushion-70-25/64" long	8L 7463860	1
Group 64400-1 CUSHION ASSEMBLY (FRONT SEAT BACK)				
49	9L72	R.H.-Upper M-19141-N Gray Bedford Cord	△8L 7264400-C	1
49	9L72	L.H.-Upper M-19141-N Gray Bedford Cord	△8L 7264401-C	1
49	9L72	R.H.-Upper M-19141-N Gray Bedford Cord	●8L 7264400-H	1
49	9L72	L.H.-Upper M-19141-N Gray Bedford Cord	●8L 7264401-H	1
49	9L72	R.H.-Upper M-19141-P Dark Gray Bedford Cord	●8L 7264400-K	1
49	9L72	L.H.-Upper M-19141-P Dark Gray Bedford Cord	●8L 7264401-K	1
49	9L72	R.H.-Upper M-19105-K Light Gray Plain Broadcloth, Lower M-19105-J Gray Shadow Stripe Broadcloth	8L 7264400-N	1
49	9L72	L.H.-Upper M-19105-K Light Gray Plain Broadcloth, Lower M-19105-J Gray Shadow Stripe Broadcloth	8L 7264401-N	1
49	9L72	R.H.-Upper M-19105-B Light Green Plain Broadcloth, Lower M-19105-G Green Shadow Stripe Broadcloth	8L 7264400-L	1
49	9L72	L.H.-Upper M-19105-B Light Green Plain Broadcloth, Lower M-19105-G Green Shadow Stripe Broadcloth	8L 7264401-L	1
49	9L72	R.H.-Upper M-19101-U Green Birdseye Broadcloth, Lower M-19101-Q Gray Broadcloth	△8L 7264400-A	1
49	9L72	L.H.-Upper M-19101-U Green Birdseye Broadcloth, Lower M-19101-Q Gray Broadcloth	△8L 7264401-A	1
49	9L72	R.H.-Upper M-19101-U Green Birdseye Broadcloth, Lower M-19101-Q Gray Broadcloth	●8L 7264400-F	1
49	9L72	L.H.-Upper M-19101-U Green Birdseye Broadcloth, Lower M-19101-Q Gray Broadcloth	●8L 7264401-F	1
49	9L72	R.H.-Upper M-19105-D Light Tan Plain Broadcloth, Lower M-19105-H Tan Shadow Stripe Broadcloth	8L 7264400-M	1
49	9L72	L.H.-Upper M-19105-D Light Tan Plain Broadcloth, Lower M-19105-H Tan Shadow Stripe Broadcloth	8L 7264401-M	1
49	9L72	R.H.-Upper M-19101-P Tan and Yellow Check Broadcloth, Lower M-19101-S Brown Taupe Broadcloth	△8L 7264400-B	1
49	9L72	L.H.-Upper M-19101-P Tan and Yellow Check Broadcloth, Lower M-19101-S Brown Taupe Broadcloth	△8L 7264401-B	1
49	9L72	R.H.-Upper M-19101-W Tan and Yellow Broken Stripe Broadcloth, Lower M-19101-S Brown Taupe Broadcloth	△8L 7264400-E	1
49	9L72	L.H.-Upper M-19101-W Tan and Yellow Broken Stripe Broadcloth, Lower M-19101-S Brown Taupe Broadcloth	△8L 7264401-E	1

△ Used on cars having front seat with metal stationary foot rest welded to seat frame.

● Used on cars having front seat without foot rest.

Lincoln and Lincoln Cosmopolitan

BODY PARTS CATALOGUE

YEAR 19	BODY TYPES	REMARKS	PART NUMBER	NO. REQ'D
Group 64400-1 CUSHION ASSEMBLY (FRONT SEAT BACK)-CONTINUED				
49	9L72	R.H.-Upper M-19101-W Tan and Yellow Broken Stripe Broadcloth, Lower M-19101-S Brown Taupe Broadcloth	●8L 7264400-G	1
49	9L72	L.H.-Upper M-19101-W Tan and Yellow Broken Stripe Broadcloth, Lower M-19101-S Brown Taupe Broadcloth	●8L 7264401-G	1
49	9L74	Upper M-19101-U Blue Green Birdseye Broadcloth, Lower M-19101-Q Gray Broadcloth	△8L 7364400-A	1
49	9L74	Upper M-19101-U Blue Green Birdseye Broadcloth, Lower M-19101-Q Gray Broadcloth	●8L 7364400-F	1
49	9L74	M-19141-N Gray Bedford Cord	△8L 7364400-C	1
49	9L74	M-19141-N Gray Bedford Cord	●8L 7364400-H	1
49	9L74	M-19141-P Dark Gray Bedford Cord	●8L 7364400-K	1
49	9L74	Upper M-19105-K Light Gray Plain Broadcloth, Lower M-19105-J Gray Shadow Stripe Broadcloth	8L 7464400-C	1
49	9L74	Upper M-19105-B Light Green Plain Broadcloth, Lower M-19105-G Green Shadow Stripe Broadcloth	8L 7464400-A	1
49	9L74	Upper M-19105-D Light Tan Plain Broadcloth, Lower M-19105-H Tan Shadow Stripe Broadcloth	8L 7464400-B	1
49	9L74	Upper M-19101-W Tan and Yellow Broken Stripe Broadcloth, Lower M-19101-S Brown Taupe Broadcloth	△8L 7364400-E	1
49	9L74	Upper M-19101-P Tan and Yellow Check Broadcloth, Lower M-19101-S Brown Taupe Broadcloth	△8L 7364400-B	1
49	9L74	Upper M-19101-W Tan and Yellow Broken Stripe Broadcloth, Lower M-19101-S Brown Taupe	●8L 7364400-G	1
49	9L76	R.H.-Upper Blue Leather, Lower M-5085-S Blue Bedford Cord	△8L 7664400-D	1
49	9L76	L.H.-Upper Blue Leather, Lower M-5085-S Blue Bedford Cord	△8L 7664401-D	1
49	9L76	R.H.-Upper Blue Leather, Lower M-5085-S Blue Bedford Cord	●8L 7664400-H	1
49	9L76	L.H.-Upper Blue Leather, Lower M-5085-S Blue Bedford Cord	●8L 7664401-H	1
49	9L76	R.H.-Upper Green Leather, Lower M-5085-Q Green Bedford Cord	△8L 7664400-C	1
49	9L76	L.H.-Upper Green Leather, Lower M-5085-Q Green Bedford Cord	△8L 7664401-C	1
49	9L76	R.H.-Upper Green Leather, Lower M-5085-Q Green Bedford Cord	●8L 7664400-G	1
49	9L76	L.H.-Upper Green Leather, Lower M-5085-Q Green Bedford Cord	●8L 7664401-G	1
49	9L76	R.H.-Upper Red Leather, Lower M-5085-P Tan Bedford Cord	△8L 7664400-A	1
49	9L76	L.H.-Upper Red Leather, Lower M-5085-P Tan Bedford Cord	△8L 7664401-A	1
49	9L76	R.H.-Upper Red Leather, Lower M-5085-P Tan Bedford Cord	●8L 7664400-E	1
49	9L76	L.H.-Upper Red Leather, Lower M-5085-P Tan Bedford Cord	●8L 7664401-E	1
49	9L76	R.H.-Upper Tan Leather, Lower M-5085-P Tan Bedford Cord	△8L 7664400-B	1
49	9L76	L.H.-Upper Tan Leather, Lower M-5085-P Tan Bedford Cord	△8L 7664401-B	1
49	9L76	R.H.-Upper Tan Leather, Lower M-5085-P Tan Bedford Cord	●8L 7664400-F	1
49	9L76	L.H.-Upper Tan Leather, Lower M-5085-P Tan Bedford Cord	●8L 7664401-F	1
49	9H72	R.H.-Upper M-19101-V Blue Gray Broadcloth, Lower M-19101-L Blue Gray Broadcloth	△8H 7264400-A	1
49	9H72	L.H.-Upper M-19101-V Blue Gray Broadcloth, Lower M-19101-L Blue Gray Broadcloth	△8H 7264401-A	1
49	9H72	R.H.-Upper M-19101-V Blue Gray Broadcloth, Lower M-19101-L Blue Gray Broadcloth	*8H 7264400-F	1
49	9H72	L.H.-Upper M-19101-V Blue Gray Broadcloth, Lower M-19101-L Blue Gray Broadcloth	*8H 7264401-F	1
49	9H72	R.H.-Upper M-19104-F Blue Gray Broadcloth, Lower M-19104-D Blue Stripe Broadcloth	△8H 7264400-D	1
49	9H72	L.H.-Upper M-19104-F Blue Gray Broadcloth, Lower M-19104-D Blue Stripe Broadcloth	△8H 7264401-D	1

△ Used on cars having front seat with metal stationary foot rest welded to seat frame.

● Used on cars having front seat without foot rest.

* Used on cars having front seat with adjustable foot rest or stationary foot rest bolted to seat frame.

Lincoln and Lincoln Cosmopolitan

BODY PARTS CATALOGUE

YEAR 19	BODY TYPES	REMARKS	PART NUMBER	NO. REQ'D
Group 64400-1 CUSHION ASSEMBLY (FRONT SEAT BACK)-CONTINUED				
49	9H72	R.H.-Upper M-19104-F Blue Gray Broadcloth, Lower M-19104-D Blue Stripe Broadcloth	*8H 7264400-J	1
49	9H72	L.H.-Upper M-19104-F Blue Gray Broadcloth, Lower M-19104-D Blue Stripe Broadcloth	*8H 7264401-J	1
49	9H72	R.H.-Upper M-19105-L Gray Shadow Stripe Broadcloth, Lower M-19105-K Light Gray Plain Broadcloth	8H 7264400-N	1
49	9H72	L.H.-Upper M-19105-L Gray Shadow Stripe Broadcloth, Lower M-19105-K Light Gray Plain Broadcloth	8H 7264401-N	1
49	9H72	R.H.-Upper M-19104-E Green Broadcloth, Lower M-19104-C Green Gray Broadcloth	Δ8H 7264400-C	1
49	9H72	L.H.-Upper M-19104-E Green Broadcloth, Lower M-19104-C Green Gray Broadcloth	Δ8H 7264401-C	1
49	9H72	R.H.-Upper M-19104-E Green Broadcloth, Lower M-19104-C Green Gray Broadcloth	*8H 7264400-H	1
49	9H72	L.H.-Upper M-19104-E Green Broadcloth, Lower M-19104-C Green Gray Broadcloth	*8H 7264401-H	1
49	9H72	R.H.-Upper M-19105-A Green Shadow Stripe Broadcloth, Lower M-19105-B Light Green Plain Broadcloth	8H 7264400-L	1
49	9H72	L.H.-Upper M-19105-A Green Shadow Stripe Broadcloth, Lower M-19105-B Light Green Plain Broadcloth	8H 7264401-L	1
49	9H72	R.H.-Upper M-19101-N Tan Broadcloth, Lower M-19101-T Brown Stripe Broadcloth	Δ8H 7264400-B	1
49	9H72	L.H.-Upper M-19101-N Tan Broadcloth, Lower M-19101-T Brown Stripe Broadcloth	Δ8H 7264401-B	1
49	9H72	R.H.-Upper M-19101-N Tan Broadcloth, Lower M-19101-T Brown Stripe Broadcloth	*8H 7264400-G	1
49	9H72	L.H.-Upper M-19101-N Tan Broadcloth, Lower M-19101-T Brown Stripe Broadcloth	*8H 7264401-G	1
49	9H72	R.H.-Upper M-19105-C Tan Shadow Stripe Broadcloth, Lower M-19105-D Light Tan Plain Broadcloth	8H 7264400-M	1
49	9H72	L.H.-Upper M-19105-C Tan Shadow Stripe Broadcloth, Lower M-19105-D Light Tan Plain Broadcloth	8H 7264401-M	1
49	9H73	Upper M-19101-V Blue Gray Broadcloth, Lower M-19101-L Blue Gray Broadcloth	Δ8H 7364400-A	1
49	9H73	Upper M-19104-F Blue Gray Broadcloth, Lower M-19104-D Blue Stripe Broadcloth	Δ8H 7364400-D	1
49	9H73	Upper M-19104-E Green Broadcloth, Lower M-19104-C Green Gray Broadcloth	Δ8H 7364400-C	1
49	9H73	Upper M-19101-N Tan Broadcloth, Lower M-19101-T Brown Stripe Broadcloth	Δ8H 7364400-B	1
49	9H73-74	Upper M-19101-V Blue Gray Broadcloth, Lower M-19101-L Blue Gray Broadcloth	*8H 7364400-F	1
49	9H73-74	Upper M-19104-F Blue Gray Broadcloth, Lower M-19104-D Blue Stripe Broadcloth	*8H 7364400-J	1
49	9H73-74	Upper M-19105-L Gray Shadow Stripe Broadcloth, Lower M-19105-K Light Gray Plain Broadcloth	8H 7364400-N	1
49	9H73-74	Upper M-19104-E Green Broadcloth, Lower M-19104-C Green Gray Broadcloth	*8H 7364400-H	1
49	9H73-74	Upper M-19105-A Green Shadow Stripe Broadcloth, Lower M-19105-B Light Green Plain Broadcloth	8H 7364400-L	1
49	9H73-74	Upper M-19101-N Tan Broadcloth, Lower M-19101-T Brown Stripe Broadcloth	*8H 7364400-G	1
49	9H73-74	Upper M-19105-C Tan Shadow Stripe Broadcloth, Lower M-19105-D Light Tan Plain Broadcloth	8H 7364400-M	1

Δ Used on cars having front seat with metal stationary foot rest welded to seat frame.

* Used on cars having front seat with adjustable foot rest or stationary foot rest bolted to seat frame.

Lincoln and Lincoln Cosmopolitan

BODY PARTS CATALOGUE

YEAR 19__	BODY TYPES	REMARKS	PART NUMBER	NO. REQ'D
Group 64400-1 CUSHION ASSEMBLY (FRONT SEAT BACK)-CONTINUED				
49	9H74	Upper M-19101-V Blue Gray Broadcloth, Lower M-19101-L Blue Gray Broadcloth	△8H 7464400-A	1
49	9H74	Upper M-19104-F Blue Gray Broadcloth, Lower M-19104-D Blue Stripe Broadcloth	△8H 7464400-D	1
49	9H74	Upper M-19104-E Green Broadcloth, Lower M-19104-C Green Gray Broadcloth	△8H 7464400-C	1
49	9H74	Upper M-19101-N Tan Broadcloth, Lower M-19101-T Brown Stripe Broadcloth	△8H 7464400-B	1
49	9H76	R.H. Blue Leather-plain	△8H 7664400-D	1
49	9H76	L.H.-Blue Leather-plain	△8H 7664401-D	1
49	9H76	R.H.-Blue Leather with Two Tone Leather Trim-plain	△8H 7664400-K	1
49	9H76	L.H.-Blue Leather with Two Tone Leather Trim-plain	△8H 7664401-K	1
49	9H76	R.H.-Blue Leather-pleated	△8H 7664400-S	1
49	9H76	L.H.-Blue Leather-pleated	△8H 7664401-S	1
49	9H76	R.H.-Blue Leather-pleated	*8H 7664400-LA	1
49	9H76	L.H.-Blue Leather-pleated	*8H 7664401-LA	1
49	9H76	R.H.-Blue Leather with Two Tone Leather Trim-pleated	△8H 7664400-Y	1
49	9H76	L.H.-Blue Leather with Two Tone Leather Trim-pleated	△8H 7664401-Y	1
49	9H76	R.H.-Blue Leather with Two Tone Leather Trim-pleated	*8H 7664400-TA	1
49	9H76	L.H.-Blue Leather with Two Tone Leather Trim-pleated	*8H 7664401-TA	1
49	9H76	R.H.-Upper Blue Leather, Lower M-19146-M Blue Whipcord-pleated	△8H 7664400-EA	1
49	9H76	L.H.-Upper Blue Leather, Lower M-19146-M Blue Whipcord-pleated	△8H 7664401-EA	1
49	9H76	R.H.-Upper Blue Leather, Lower M-19146-M Blue Whipcord-pleated	*8H 7664400-ZA	1
49	9H76	L.H.-Upper Blue Leather, Lower M-19146-M Blue Whipcord-pleated	*8H 7664401-ZA	1
49	9H76	R.H.-Green Leather-plain	△8H 7664400-C	1
49	9H76	L.H.-Green Leather-plain	△8H 7664401-C	1
49	9H76	R.H.-Green Leather with Two Tone Leather Trim-plain	△8H 7664400-J	1
49	9H76	L.H.-Green Leather with Two Tone Leather Trim-plain	△8H 7664401-J	1
49	9H76	R.H.-Green Leather-pleated	△8H 7664400-Q	1
49	9H76	L.H.-Green Leather-pleated	△8H 7664401-Q	1
49	9H76	R.H.-Green Leather-pleated	*8H 7664400-KA	1
49	9H76	L.H.-Green Leather-pleated	*8H 7664401-KA	1
49	9H76	R.H.-Green Leather with Two Tone Leather Trim-pleated	△8H 7664400-X	1
49	9H76	L.H.-Green Leather with Two Tone Leather Trim-pleated	△8H 7664401-X	1
49	9H76	R.H.-Green Leather with Two Tone Leather Trim-pleated	*8H 7664400-SA	1
49	9H76	L.H.-Green Leather with Two Tone Leather Trim-pleated	*8H 7664401-SA	1
49	9H76	R.H.-Upper Green Leather, Lower M-19146-L Green Whipcord-pleated	△8H 7664400-DA	1
49	9H76	L.H.-Upper Green Leather, Lower M-19146-L Green Whipcord-pleated	△8H 7664401-DA	1
49	9H76	R.H.-Upper Green Leather, Lower M-19146-L Green Whipcord-pleated	*8H 7664400-YA	1
49	9H76	L.H.-Upper Green Leather, Lower M-19146-L Green Whipcord-pleated	*8H 7664401-YA	1
49	9H76	R.H.-Lime Green Leather-plain	△8H 7664400-F	1
49	9H76	L.H.-Lime Green Leather-plain	△8H 7664401-F	1
49	9H76	R.H.-Lime Green Leather with Two Tone Leather Trim-plain	△8H 7664400-M	1
49	9H76	L.H.-Lime Green Leather with Two Tone Leather Trim-plain	△8H 7664401-M	1
49	9H76	R.H.-Lime Green Leather-pleated	△8H 7664400-U	1
49	9H76	L.H.-Lime Green Leather-pleated	△8H 7664401-U	1
49	9H76	R.H.-Lime Green Leather-pleated	*8H 7664400-NA	1
49	9H76	L.H.-Lime Green Leather-pleated	*8H 7664401-NA	1
49	9H76	R.H.-Lime Green Leather with Two Tone Leather Trim-pleated	△8H 7664400-AA	1
49	9H76	L.H.-Lime Green Leather with Two Tone Leather Trim-pleated	△8H 7664401-AA	1
49	9H76	R.H.-Lime Green Leather with Two Tone Leather Trim-pleated	*8H 7664400-VA	1
49	9H76	L.H.-Lime Green Leather with Two Tone Leather Trim-pleated	*8H 7664401-VA	1

△ Used on cars having front seat with metal stationary foot rest welded to seat frame.

* Used on cars having front seat with adjustable foot rest or stationary foot rest bolted to seat frame.

Lincoln and Lincoln Cosmopolitan

BODY PARTS CATALOGUE

YEAR 19	BODY TYPES	REMARKS	PART NUMBER	NO. REQ'D
Group 64400-1 CUSHION ASSEMBLY (FRONT SEAT BACK)-CONTINUED				
49	9H76	R.H.-Upper Lime Green Leather, Lower M-19146-N Yellow Beige Whipcord-pleated	△8H 7664400-GA	1
49	9H76	L.H.-Upper Lime Green Leather, Lower M-19146-N Yellow Beige Whipcord-pleated	△8H 7664401-GA	1
49	9H76	R.H.-Upper Lime Green Leather, Lower M-19146-N Yellow Beige Whipcord	*8H 7664400-BB	1
49	9H76	L.H.-Upper Lime Green Leather, Lower M-19146-N Yellow Beige Whipcord	*8H 7664401-BB	1
49	9H76	R.H.-Red Leather-plain	△8H 7664400-A	1
49	9H76	L.H.-Red Leather-plain	△8H 7664401-A	1
49	9H76	R.H.-Red Leather with Two Tone Leather Trim-plain	△8H 7664400-G	1
49	9H76	L.H.-Red Leather with Two Tone Leather Trim-plain	△8H 7664401-G	1
49	9H76	R.H.-Red Leather-pleated	△8H 7664400-N	1
49	9H76	L.H.-Red Leather-pleated	△8H 7664401-N	1
49	9H76	R.H.-Red Leather-Pleated	*8H 7664400-HA	1
49	9H76	L.H.-Red Leather-pleated	*8H 7664401-HA	1
49	9H76	R.H.-Red Leather with Two Tone Leather Trim-pleated	*8H 7664400-PA	1
49	9H76	L.H.-Red Leather with Two Tone Leather Trim-pleated	*8H 7664401-PA	1
49	9H76	R.H.-Red Leather with Two Tone Leather Trim-pleated	△8H 7664400-V	1
49	9H76	L.H.-Red Leather with Two Tone Leather Trim-pleated	△8H 7664401-V	1
49	9H76	R.H.-Upper Red Leather, Lower M-19146-K Beige Whipcord-pleated	△8H 7664400-BA	1
49	9H76	L.H.-Upper Red Leather, Lower M-19146-K Beige Whipcord-pleated	△8H 7664401-BA	1
49	9H76	R.H.-Upper Red Leather, Lower M-19146-K Beige Whipcord-pleated	*8H 7664400-WA	1
49	9H76	L.H.-Upper Red Leather, Lower M-19146-K Beige Whipcord-pleated	*8H 7664401-WA	1
49	9H76	R.H.-Tan Leather-plain	△8H 7664400-B	1
49	9H76	L.H. Tan Leather-plain	△8H 7664401-B	1
49	9H76	R.H.-Tan Leather with Two Tone Leather Trim-plain	△8H 7664400-H	1
49	9H76	L.H.-Tan Leather with Two Tone Leather Trim-plain	△8H 7664401-H	1
49	9H76	R.H.-Tan Leather-pleated	△8H 7664400-P	1
49	9H76	L.H.-Tan Leather-pleated	△8H 7664401-P	1
49	9H76	R.H.-Tan Leather-pleated	*8H 7664400-JA	1
49	9H76	L.H.-Tan Leather-pleated	*8H 7664401-JA	1
49	9H76	R.H. Tan Leather with Two Tone Leather Trim-Pleated	*8H 7664400-QA	1
49	9H76	L.H.-Tan Leather with Two Tone Leather Trim-pleated	*8H 7664401-QA	1
49	9H76	R.H.-Tan Leather with Two Tone Leather Trim-pleated	△8H 7664400-W	1
49	9H76	L.H.-Tan Leather with Two Tone Leather Trim-pleated	△8H 7664401-W	1
49	9H76	R.H.-Upper Tan Leather, Lower M-19146-K Beige Whipcord-pleated	△8H 7664400-CA	1
49	9H76	L.H.-Upper Tan Leather, Lower M-19146-K Beige Whipcord-pleated	△8H 7664401-CA	1
49	9H76	R.H.-Upper Tan Leather, Lower M-19146-K Beige Whipcord-pleated	*8H 7664400-XA	1
49	9H76	L.H.-Upper Tan Leather, Lower M-19146-K Beige Whipcord-pleated	*8H 7664401-XA	1
49	9H76	R.H.-Yellow Leather-plain	△8H 7664400-E	1
49	9H76	L.H.-Yellow Leather-plain	△8H 7664401-E	1
49	9H76	R.H.-Yellow Leather with Two Tone Leather Trim-plain	△8H 7664400-L	1
49	9H76	L.H.-Yellow Leather with Two Tone Leather Trim-plain	△8H 7664401-L	1
49	9H76	R.H.-Yellow Leather-pleated	*8H 7664400-MA	1
49	9H76	L.H.-Yellow Leather-pleated	*8H 7664401-MA	1
49	9H76	R.H.-Yellow Leather-pleated	△8H 7664400-T	1
49	9H76	L.H.-Yellow Leather-pleated	△8H 7664401-T	1
49	9H76	R.H.-Yellow Leather with Two Tone Leather Trim-pleated	*8M 7664400-UA	1
49	9H76	L.H.-Yellow Leather with Two Tone Leather Trim-pleated	*8H 7664401-UA	1
49	9H76	R.H.-Yellow Leather with Two Tone Leather Trim-pleated	△8H 7664400-Z	1
49	9H76	L.H.-Yellow Leather with Two Tone Leather Trim-pleated	△8H 7664401-Z	1

△ Used on cars having front seat with metal stationary foot rest welded to seat frame.

* Used on cars having front seat with adjustable foot rest or stationary foot rest bolted to seat frame.

Lincoln and Lincoln Cosmopolitan

BODY PARTS CATALOGUE

YEAR 19	BODY TYPES	REMARKS	PART NUMBER	NO. REQ'D
Group 64400-1 CUSHION ASSEMBLY (FRONT SEAT BACK)-CONTINUED				
49	9H76	R.H.-Upper Yellow Leather, Lower M-19146-N Yellow Beige Whipcord-pleated	*8H 7664400-AB	1
49	9H76	L.H.-Upper Yellow Leather, Lower M-19146-N Yellow Beige Whipcord-pleated	*8H 7664401-AB	1
49	9H76	R.H.-Upper Yellow Leather, Lower M-19146-N Yellow Beige Whipcord-pleated	Δ8H 7664400-FA	1
49	9H76	L.H.-Upper Yellow Leather, Lower M-19146-N Yellow Beige Whipcord-pleated	Δ8H 7664401-FA	1
49	9L72-74	Clip	358338-S	20

Group 64410-1 COVER AND CARDBOARD ASSEMBLY (FRONT SEAT BACK FRAME)				
49	9L72	R.H.-Upper M-19106-G Light Gray Plain Broadcloth, Lower M-19105-J Gray Shadow Stripe Broadcloth	8L 7264410-C	1
49	9L72	L.H.-Upper M-19106-G Light Gray Plain Broadcloth, Lower M-19105-J Gray Shadow Stripe Broadcloth	8L 7264411-C	1
49	9L72	R.H.-Upper M-19106-A Light Green Plain Broadcloth, Lower M-19105-G Green Shadow Stripe Broadcloth	8L 7264410-A	1
49	9L72	L.H.-Upper M-19106-A Light Green Plain Broadcloth, Lower M-19105-G Green Shadow Stripe Broadcloth	8L 7264411-A	1
49	9L72	R.H.-Upper M-19106-C Light Tan Plain Broadcloth, Lower M-19105-H Tan Shadow Stripe Broadcloth	8L 7264410-B	1
49	9L72	R.H.-Upper M-19106-C Light Tan Plain Broadcloth, Lower M-19105-H Tan Shadow Stripe Broadcloth	8L 7264411-B	1
49	9L74	Upper M-19106-G Light Gray Plain Broadcloth, Lower M-19150-L Gray Shadow Stripe Broadcloth	8L 7464410-C	1
49	9L74	Upper M-19106-A Light Green Plain Broadcloth, Lower M-19105-G Green Shadow Stripe Broadcloth	8L 7464410-A	1
49	9L74	Upper M-19106-C Light Tan Plain Broadcloth, Lower M-19105-H Tan Shadow Stripe Broadcloth	8L 7464410-B	1
49	9H72	R.H.-Upper M-19106-H Dark Gray Plain Broadcloth, Lower M-19105-L Gray Shadow Stripe Broadcloth	8H 7264410-C	1
49	9H72	L.H.-Upper M-19106-H Dark Gray Plain Broadcloth, Lower M-19105-L Gray Shadow Stripe Broadcloth	8H 7264411-C	1
49	9H72	R.H.-Upper M-19106-B Dark Green Plain Broadcloth, Lower M-19105-A Green Shadow Stripe Broadcloth	8H 7264410-A	1
49	9H72	L.H.-Upper M-19106-B Dark Green Plain Broadcloth, Lower M-19105-A Green Shadow Stripe Broadcloth	8H 7264411-A	1
49	9H72	R.H.-Upper M-19106-D Dark Tan Plain Broadcloth, Lower M-19105-C Tan Shadow Stripe Broadcloth	8H 7264410-B	1
49	9H72	L.H.-Upper M-19106-D Dark Tan Plain Broadcloth, Lower M-19105-C Tan Shadow Stripe Broadcloth	8H 7264411-B	1
49	9H73-74	Upper M-19106-H Dark Gray Plain Broadcloth, Lower M-19105-L Gray Shadow Stripe Broadcloth	8H 7364410-C	1
49	9H73-74	Upper M-19106-B Dark Green Plain Broadcloth, Lower M-19105-A Green Shadow Stripe Broadcloth	8H 7364410-A	1
49	9H73-74	Upper M-19106-D Dark Tan Plain Broadcloth, Lower M-19105-C Tan Shadow Stripe Broadcloth	8H 7364410-B	1

Δ Used on cars having front seat with metal stationary foot rest welded to seat frame.

* Used on cars having front seat with adjustable foot rest or stationary foot rest bolted to seat frame.

Lincoln and Lincoln Cosmopolitan

BODY PARTS CATALOGUE

YEAR 19	BODY TYPES	REMARKS	PART NUMBER	NO. REQ'D
Group 64416-7 COVER ASSEMBLY (FRONT SEAT BACK CUSHION)				
49	9L72	R.H.-M-19141-N Gray Bedford Cord	△8L 7264416-C	1
49	9L72	L.H.-M-19141-N Gray Bedford Cord	△8L 7264417-C	1
49	9L72	R.H.-M-19141-N Gray Bedford Cord	●8L 7264416-H	1
49	9L72	R.H.-M-19141-N Gray Bedford Cord	●8L 7264417-H	1
49	9L72	R.H.-M-19141-P Dark Gray Bedford Cord	●8L 7264416-K	1
49	9L72	L.H.-M-19141-P Dark Gray Bedford Cord	●8L 7264417-K	1
49	9L72	R.H.-Upper M-19105-K Light Gray Plain Broadcloth, Lower M-19105-J Gray Shadow Stripe Broadcloth	8L 7264416-N	1
49	9L72	L.H.-Upper M-19105-K Light Gray Plain Broadcloth, Lower M-19105-J Gray Shadow Stripe Broadcloth	8L 7264417-N	1
49	9L72	R.H.-Upper M-19101-U Blue Green Birdseye Broadcloth, Lower M-19101-Q Gray Broadcloth	△8L 7264416-A	1
49	9L72	L.H.-Upper M-19101-U Blue Green Birdseye Broadcloth, Lower M-19101-Q Gray Broadcloth	△8L 7264417-A	1
49	9L72	R.H.-Upper M-19101-U Blue Green Birdseye Broadcloth, Lower M-19101-Q Gray Broadcloth	●8L 7264416-F	1
49	9L72	L.H.-Upper M-19101-U Blue Green Birdseye Broadcloth, Lower M-19101-Q Gray Broadcloth	●8L 7264417-F	1
49	9L72	R.H.-Upper M-19105-B Light Green Plain Broadcloth, Lower M-19105-G Green Shadow Stripe Broadcloth	8L 7264416-L	1
49	9L72	L.H.-Upper M-19105-B Light Green Plain Broadcloth, Lower M-19105-G Green Shadow Stripe Broadcloth	8L 7264417-L	1
49	9L72	R.H.-Upper M-19101-P Tan and Yellow Check Broadcloth, Lower M-19101-S Brown Taupe Broadcloth	△8L 7264416-B	1
49	9L72	L.H.-Upper M-19101-P Tan and Yellow Check Broadcloth, Lower M-19101-S Brown Taupe Broadcloth	△8L 7264417-B	1
49	9L72	R.H.-Upper M-19101-W Tan and Yellow Broken Stripe Broadcloth, Lower M-19101-S Brown Taupe Broadcloth	△8L 7264416-E	1
49	9L72	L.H.-Upper M-19101-W Tan and Yellow Broken Stripe Broadcloth, Lower M-19101-S Brown Taupe Broadcloth	△8L 7264417-E	1
49	9L72	R.H.-Upper M-19101-W Tan and Yellow Broken Stripe Broadcloth, Lower M-19101-S Brown Taupe Broadcloth	●8L 7264416-G	1
49	9L72	L.H.-Upper M-19101-W Tan and Yellow Broken Stripe Broadcloth, Lower M-19101-S Brown Taupe Broadcloth	●8L 7264417-G	1
49	9L72	R.H.-Upper M-19105-D Light Tan Plain Broadcloth, Lower M-19105-H Tan Shadow Stripe Broadcloth	8L 7264416-M	1
49	9L72	L.H.-Upper M-19105-D Light Tan Plain Broadcloth, Lower M-19105-H Tan Shadow Stripe Broadcloth	8L 7264417-M	1
49	9L74	M-19141-N Gray Bedford Cord	△8L 7364416-C	1
49	9L74	M-19141-N Gray Bedford Cord	●8L 7364416-H	1
49	9L74	M-19141-P Dark Gray Bedford Cord	●8L 7364416-K	1
49	9L74	Upper M-19105-K Light Gray Plain Broadcloth, Lower M-19105-J Gray Shadow Stripe Broadcloth	8L 7464416-C	1
49	9L74	Upper M-19101-U Blue Green Birdseye Broadcloth, Lower M-19101-Q Gray Broadcloth	△8L 7364416-A	1
49	9L74	Upper M-19101-U Blue Green Birdseye Broadcloth, Lower M-19101-Q Gray Broadcloth	●8L 7364416-F	1
49	9L74	Upper M-19105-B Light Green Plain Broadcloth, Lower M-19105-G Green Shadow Stripe Broadcloth	8L 7464416-A	1
49	9L74	Upper M-19101-W Tan and Yellow Broken Stripe Broadcloth, Lower M-19101-S Brown Taupe Broadcloth	△8L 7364416-E	1
49	9L74	Upper M-19101-W Tan and Yellow Broken Stripe Broadcloth, Lower M-19101-S Brown Taupe Broadcloth	●8L 7364416-G	1

△ Used on cars having front seat with metal stationary foot rest welded to seat frame.

● Used on cars having front seat without foot rest.

Lincoln and Lincoln Cosmopolitan

BODY PARTS CATALOGUE

YEAR 19__	BODY TYPES	REMARKS	PART NUMBER	NO. REQ'D
Group 64416-7 COVER ASSEMBLY (FRONT SEAT BACK CUSHION)-CONTINUED				
49	9L74	Upper M-19101-P Tan and Yellow Check Broadcloth, Lower M-19101-S Brown Taupe Broadcloth	△8L 7364416-B	1
49	9L74	Upper M-19105-D Light Tan Plain Broadcloth, Lower M-19105-H Tan Shadow Stripe Broadcloth	8L 7464416-B	1
49	9L76	R.H.-Upper Blue Leather, Lower M-5085-S Blue Bedford Cord	△8L 7664416-D	1
49	9L76	L.H.-Upper Blue Leather, Lower M-5085-S Blue Bedford Cord	△8L 7664417-D	1
49	9L76	R.H.-Upper Blue Leather, Lower M-5085-S Blue Bedford Cord	●8L 7664416-H	1
49	9L76	L.H.-Upper Blue Leather, Lower M-5085-S Blue Bedford Cord	●8L 7664417-H	1
49	9L76	R.H.-Upper Green Leather, Lower M-5085-Q Green Bedford Cord	△8L 7664416-C	1
49	9L76	L.H.-Upper Green Leather, Lower M-5085-Q Green Bedford Cord	△8L 7664417-C	1
49	9L76	R.H.-Upper Green Leather, Lower M-5085-Q Green Bedford Cord	●8L 7664416-G	1
49	9L76	L.H.-Upper Green Leather, Lower M-5085-Q Green Bedford Cord	●8L 7664417-G	1
49	9L76	R.H.-Upper Red Leather, Lower M-5085-P Tan Bedford Cord	△8L 7664416-A	1
49	9L76	L.H.-Upper Red Leather, Lower M-5085-P Tan Bedford Cord	△8L 7664417-A	1
49	9L76	R.H.-Upper Red Leather, Lower M-5085-P Tan Bedford Cord	●8L 7664416-E	1
49	9L76	L.H.-Upper Red Leather, Lower M-5085-P Tan Bedford Cord	●8L 7664417-E	1
49	9L76	R.H.-Upper Tan Leather, Lower M-5085-P Tan Bedford Cord	△8L 7664416-B	1
49	9L76	L.H.-Upper Tan Leather, Lower M-5085-P Tan Bedford Cord	△8L 7664417-B	1
49	9L76	R.H.-Upper Tan Leather, Lower M-5085-P Tan Bedford Cord	●8L 7664416-F	1
49	9L76	L.H.-Upper Tan Leather, Lower M-5085-P Tan Bedford Cord	●8L 7664417-F	1
49	9H72	R.H.-Upper M-19101-V Blue Gray Broadcloth, Lower M-19101-L Blue Gray Broadcloth	△8H 7264416-A	1
49	9H72	L.H.-Upper M-19101-V Blue Gray Broadcloth, Lower M-19101-L Blue Gray Broadcloth	△8H 7264417-A	1
49	9H72	R.H.-Upper M-19101-V Blue Gray Broadcloth, Lower M-19101-L Blue Gray Broadcloth	*8H 7264416-F	1
49	9H72	L.H.-Upper M-19101-V Blue Gray Broadcloth, Lower M-19101-L Blue Gray Broadcloth	*8H 7264417-F	1
49	9H72	R.H.-Upper M-19104-F Blue Gray Broadcloth, Lower M-19104-D Blue Stripe Broadcloth	△8H 7264416-D	1
49	9H72	L.H.-Upper M-19104-F Blue Gray Broadcloth, Lower M-19104-D Blue Stripe Broadcloth	△8H 7264417-D	1
49	9H72	R.H.-Upper M-19104-F Blue Gray Broadcloth, Lower M-19104-D Blue Stripe Broadcloth	*8H 7264416-J	1
49	9H72	L.H.-Upper M-19104-F Blue Gray Broadcloth, Lower M-19104-D Blue Stripe Broadcloth	*8H 7264417-J	1
49	9H72	R.H.-Upper M-19105-L Gray Shadow Stripe Broadcloth, Lower M-19105-K Light Gray Plain Broadcloth	8H 7264416-N	1
49	9H72	L.H.-Upper M-19105-L Gray Shadow Stripe Broadcloth, Lower M-19105-K Light Gray Plain Broadcloth	8H 7264417-N	1
49	9H72	R.H.-Upper M-19104-E Green Broadcloth, Lower M-19104-C Green Gray Broadcloth	△8H 7264416-C	1
49	9H72	L.H.-Upper M-19104-E Green Broadcloth, Lower M-19104-C Green Gray Broadcloth	△8H 7264417-C	1
49	9H72	R.H.-Upper M-19104-E Green Broadcloth, Lower M-19104-C Green Gray Broadcloth	*8H 7264416-H	1
49	9H72	L.H.-Upper M-19104-E Green Broadcloth, Lower M-19104-C Green Gray Broadcloth	*8H 7264417-H	1
49	9H72	R.H.-Upper M-19105-A Green Shadow Stripe Broadcloth, Lower M-19105-B Light Green Plain Broadcloth	8H 7264416-L	1
49	9H72	L.H.-Upper M-19105-A Green Shadow Stripe Broadcloth, Lower M-19105-B Light Green Plain Broadcloth	8H 7264417-L	1

△ Used on cars having front seat with metal stationary foot rest welded to seat frame.

● Used on cars having front seat without foot rest.

* Used on cars having front seat with adjustable foot rest or stationary foot rest bolted to seat frame.

Lincoln and Lincoln Cosmopolitan

BODY PARTS CATALOGUE

YEAR 19	BODY TYPES	REMARKS	PART NUMBER	NO. REQ'D
Group 64416-7 COVER ASSEMBLY (FRONT SEAT BACK CUSHION)-CONTINUED				
49	9H72	R.H.-Upper M-19101-N Tan Broadcloth, Lower M-19101-T Brown Stripe Broadcloth	△8H 7264416-B	1
49	9H72	L.H.-Upper M-19101-N Tan Broadcloth, Lower M-19101-T Brown Stripe Broadcloth	△8H 7264417-B	1
49	9H72	R.H.-Upper M-19101-N Tan Broadcloth, Lower M-19101-T Brown Stripe Broadcloth	*8H 7264416-G	1
49	9H72	L.H.-Upper M-19101-N Tan Broadcloth, Lower M-19101-T Brown Stripe Broadcloth	*8H 7264417-G	1
49	9H72	R.H.-Upper M-19105-C Tan Shadow Stripe Broadcloth, Lower M-19105-D Light Tan Plain Broadcloth	8H 7264416-M	1
49	9H72	L.H.-Upper M-19105-C Tan Shadow Stripe Broadcloth, Lower M-19105-D Light Tan Plain Broadcloth	8H 7264417-M	1
49	9H73	Upper M-19101-V Blue Gray Broadcloth, Lower M-19101-L Blue Gray Broadcloth	△8H 7364416-A	1
49	9H73	Upper M-19104-F Blue Gray Broadcloth, Lower M-19104-D Blue Stripe Broadcloth	△8H 7364416-D	1
49	9H73	Upper M-19104-E Green Broadcloth, Lower M-19104-C Green Gray Broadcloth	△8H 7364416-C	1
49	9H73	Upper-M-19101-N Tan Broadcloth, Lower M-19101-T Brown Stripe Broadcloth	△8H 7364416-B	1
49	9H73-74	Upper M-19101-V Blue Gray Broadcloth, Lower M-19101-L Blue Gray Broadcloth	*8H 7364416-F	1
49	9H73-74	Upper M-19104-F Blue Gray Broadcloth, Lower M-19104-D Blue Stripe Broadcloth	*8H 7364416-J	1
49	9H73-74	Upper M-19105-L Gray Shadow Stripe Broadcloth, Lower M-19105-K Light Gray Plain Broadcloth	8H 7364416-M	1
49	9H73-74	Upper M-19104-E Green Broadcloth, Lower M-19104-C Green Gray Broadcloth	*8H 7364416-H	1
49	9H73-74	Upper M-19105-A Green Shadow Stripe Broadcloth, Lower M-19105-B Light Green Plain Broadcloth	8H 7364416-K	1
49	9H73-74	Upper M-19101-N Tan Broadcloth, Lower M-19101-T Brown Stripe Broadcloth	*8H 7364416-G	1
49	9H73-74	Upper M-19105-C Tan Shadow Stripe Broadcloth, Lower M-19105-D Light Tan Plain Broadcloth	8H 7364416-L	1
49	9H74	Upper M-19101-V Blue Gray Broadcloth, Lower M-19101-L Blue Gray Broadcloth	△8H 7464416-A	1
49	9H74	Upper M-19104-F Blue Gray Broadcloth, Lower M-19104-D Blue Stripe Broadcloth	△8H 7464416-D	1
49	9H74	Upper M-19104-E Green Broadcloth, Lower M-19104-C Green Gray Broadcloth	△8H 7464416-C	1
49	9H74	Upper M-19101-N Tan Broadcloth, Lower M-19101-T Brown Stripe Broadcloth	△8H 7464416-B	1
49	9H76	R.H.-Blue Leather-plain	△8H 7664416-D	1
49	9H76	L.H.-Blue Leather-plain	△8H 7664417-D	1
49	9H76	R.H.-Blue Leather with Two Tone Leather Trim-plain	△8H 7664416-K	1
49	9H76	L.H.-Blue Leather with Two Tone Leather Trim-plain	△8H 7664417-K	1
49	9H76	R.H.-Blue Leather-pleated	△8H 7664416-S	1
49	9H76	L.H.-Blue Leather-pleated	△8H 7664417-S	1
49	9H76	R.H.-Blue Leather-pleated	*8H 7664416-LA	1
49	9H76	L.H.-Blue Leather-pleated	*8H 7664417-LA	1
49	9H76	R.H.-Blue Leather with Two Tone Leather Trim-pleated	△8H 7664416-Y	1
49	9H76	L.H.-Blue Leather with Two Tone Leather Trim-pleated	△8H 7664417-Y	1
49	9H76	R.H.-Blue Leather with Two Tone Leather Trim-pleated	*8H 7664416-TA	1
49	9H76	L.H.-Blue Leather with Two Tone Leather Trim-pleated	*8H 7664417-TA	1

△ Used on cars having front seat with metal stationary foot rest welded to seat frame.

* Used on cars having front seat with adjustable foot rest or stationary foot rest bolted to seat frame.

Lincoln and Lincoln Cosmopolitan

BODY PARTS CATALOGUE

YEAR 19	BODY TYPES	REMARKS	PART NUMBER	NO. REQ'D
Group 64416-7 COVER ASSEMBLY (FRONT SEAT BACK CUSHION)-CONTINUED				
49	9H76	R.H.-Upper Blue Leather, Lower M-19146-M Blue Whipcord-pleated	△8H 7664416-EA	1
49	9H76	L.H.-Upper Blue Leather, Lower M-19146-M Blue Whipcord-pleated	△8H 7664417-EA	1
49	9H76	R.H.-Upper Blue Leather, Lower M-19146-M Blue Whipcord-pleated	*8H 7664416-ZA	1
49	9H76	L.H.-Upper Blue Leather, Lower M-19146-M Blue Whipcord-pleated	*8H 7664417-ZA	1
49	9H76	R.H.-Green Leather-plain	△8H 7664416-C	1
49	9H76	L.H.-Green Leather-plain	△8H 7664417-C	1
49	9H76	R.H.-Green Leather with Two Tone Leather Trim-plain	△8H 7664416-J	1
49	9H76	L.H.-Green Leather with Two Tone Leather Trim-plain	△8H 7664417-J	1
49	9H76	R.H.-Green Leather-pleated	△8H 7664416-Q	1
49	9H76	L.H.-Green Leather-pleated	△8H 7664417-Q	1
49	9H76	R.H.-Green Leather-pleated	*8H 7664416-KA	1
49	9H76	L.H.-Green Leather-pleated	*8H 7664417-KA	1
49	9H76	R.H.-Green Leather with Two Tone Leather Trim-pleated	△8H 7664416-X	1
49	9H76	L.H.-Green Leather with Two Tone Leather Trim-pleated	△8H 7664417-X	1
49	9H76	R.H.-Green Leather with Two Tone Leather Trim-pleated	*8H 7664416-SA	1
49	9H76	L.H.-Green Leather with Two Tone Leather Trim-pleated	*8H 7664417-SA	1
49	9H76	R.H.-Upper Green Leather, Lower M-19146-L Green Whipcord-pleated	△8H 7664416-DA	1
49	9H76	L.H.-Upper Green Leather, Lower M-19146-L Green Whipcord-pleated	*8H 7664417-DA	1
49	9H76	R.H.-Upper Green Leather, Lower M-19146-L Green Whipcord-pleated	*8H 7664416-YA	1
49	9H76	L.H.-Upper Green Leather, Lower M-19146-L Green Whipcord-pleated	*8H 7664417-YA	1
49	9H76	R.H.-Lime Green Leather-plain	△8H 7664416-F	1
49	9H76	L.H.-Lime Green Leather-plain	△8H 7664417-F	1
49	9H76	R.H.-Lime Green Leather with Two Tone Leather Trim-plain	△8H 7664416-M	1
49	9H76	L.H.-Lime Green Leather with Two Tone Leather Trim-plain	△8H 7664417-M	1
49	9H76	R.H.-Lime Green Leather-pleated	△8H 7664416-U	1
49	9H76	L.H.-Lime Green Leather-pleated	△8H 7664417-U	1
49	9H76	R.H.-Lime Green Leather-pleated	*8H 7664416-NA	1
49	9H76	L.H.-Lime Green Leather-pleated	*8H 7664417-NA	1
49	9H76	R.H.-Lime Green Leather with Two Tone Leather Trim-pleated	△8H 7664416-AA	1
49	9H76	L.H.-Lime Green Leather with Two Tone Leather Trim-pleated	△8H 7664417-AA	1
49	9H76	R.H.-Lime Green Leather with Two Tone Leather Trim-pleated	*8H 7664416-VA	1
49	9H76	L.H.-Lime Green Leather with Two Tone Leather Trim-pleated	*8H 7664417-VA	1
49	9H76	R.H.-Upper Lime Green Leather, Lower M-19146-N Yellow Beige Whipcord-pleated	△8H 7664416-GA	1
49	9H76	L.H.-Upper Lime Green Leather, Lower M-19146-N Yellow Beige Whipcord-pleated	△8H 7664417-GA	1
49	9H76	R.H.-Upper Lime Green Leather, Lower M-19146-N Yellow Beige Whipcord-pleated	*8H 7664416-BB	1
49	9H76	L.H.-Upper Lime Green Leather, Lower M-19146-N Yellow Beige Whipcord-pleated	*8H 7664417-BB	1
49	9H76	R.H.-Red Leather-plain	△8H 7664416-A	1
49	9H76	L.H.-Red Leather-plain	△8H 7664417-A	1
49	9H76	R.H.-Red Leather with Two Tone Leather Trim-plain	△8H 7664416-G	1
49	9H76	L.H.-Red Leather with Two Tone Leather Trim-plain	△8H 7664417-G	1
49	9H76	R.H.-Red Leather-pleated	△8H 7664416-N	1
49	9H76	L.H.-Red Leather-pleated	△8H 7664417-N	1
49	9H76	R.H.-Red Leather-pleated	*8H 7664416-HA	1
49	9H76	L.H.-Red Leather-pleated	*8H 7664417-HA	1
49	9H76	R.H.-Red Leather with Two Tone Leather Trim-pleated	△8H 7664416-V	1
49	9H76	L.H.-Red Leather with Two Tone Leather Trim-pleated	△8H 7664417-V	1
49	9H76	R.H.-Red Leather with Two Tone Leather Trim-pleated	*8H 7664416-PA	1
49	9H76	L.H.-Red Leather with Two Tone Leather Trim-pleated	*8H 7664417-PA	1

△ Used on cars having front seat with metal stationary foot rest welded to seat frame.

* Used on cars having front seat with adjustable foot rest or stationary foot rest bolted to seat frame.

Lincoln and Lincoln Cosmopolitan

BODY PARTS CATALOGUE

YEAR 19	BODY TYPES	REMARKS	PART NUMBER	NO. REQ'D
Group 64430-1 COVER ASSEMBLY (FRONT SEAT BACK FRAME)				
49	9L72	R.H.-M-19152-T Blue Gray Broadcloth	△8L 7264430-F	1
49	9L72	L.H.-M-19152-T Blue Gray Broadcloth	△8L 7264431-F	1
49	9L72	R.H.-M-19152-T Blue Gray Broadcloth	●8L 7264430-J	1
49	9L72	L.H.-M-19152-T Blue Gray Broadcloth	●8L 7264431-J	1
49	9L72	R.H.-M-19152-L Gray Broadcloth	△8L 7264430-D	1
49	9L72	L.H.-M-19152-L Gray Broadcloth	△8L 7264431-D	1
49	9L72	R.H.-M-19152-L Gray Broadcloth	●8L 7264430-G	1
49	9L72	L.H.-M-19152-L Gray Broadcloth	●8L 7264431-G	1
49	9L72	R.H.-M-19152-V Dark Gray Broadcloth	●8L 7264430-K	1
49	9L72	L.H.-M-19152-V Dark Gray Broadcloth	●8L 7264931-K	1
49	9L72	R.H.-M-19152-M Brown Taupe Broadcloth	△8L 7264430-E	1
49	9L72	L.H.-M-19152-M Brown Taupe Broadcloth	△8L 7264431-E	1
49	9L72	R.H.-M-19152-M Brown Taupe Broadcloth	●8L 7264430-H	1
49	9L72	L.H.-M-19152-M Brown Taupe Broadcloth	●8L 7264431-H	1
49	9L74	M-19152-T Blue Gray Broadcloth	△8L 7364430-F	1
49	9L74	M-19152-T Blue Gray Broadcloth	●8H 7364430-K	1
49	9L74	M-19152-L Gray Broadcloth	△8L 7364430-D	1
49	9L74	M-19152-L Gray Broadcloth	●8L 7364430-H	1
49	9L74	M-19152-V Dark Gray Broadcloth	●8L 7364430-M	1
49	9L74	M-19152-M Brown Taupe Broadcloth	△8L 7364430-E	1
49	9L74	M-19152-M Brown Taupe Broadcloth	●8L 7364430-J	1
49	9L76	R.H.-Blue Artificial Leather	△8L 7664430-H	1
49	9L76	L.H.-Blue Artificial Leather	△8L 7664431-H	1
49	9L76	R.H.-Blue Artificial Leather	●8L 7664430-M	1
49	9L76	L.H.-Blue Artificial Leather	●8L 7664431-M	1
49	9L76	R.H.-Green Artificial Leather	△8L 7664430-G	1
49	9L76	L.H.-Green Artificial Leather	△8L 7664431-G	1
49	9L76	R.H.-Green Artificial Leather	●8L 7664430-L	1
49	9L76	L.H.-Green Artificial Leather	●8L 7664431-L	1
49	9L76	R.H.-Red Artificial Leather	△8L 7664430-E	1
49	9L76	L.H.-Red Artificial Leather	△8L 7664431-E	1
49	9L76	R.H.-Red Artificial Leather	●8L 7664430-J	1
49	9L76	L.H.-Red Artificial Leather	●8L 7664431-J	1
49	9L76	R.H.-Tan Artificial Leather	△8L 7664430-F	1
49	9L76	L.H.-Tan Artificial Leather	△8L 7664431-F	1
49	9L76	R.H.-Tan Artificial Leather	●8L 7664430-K	1
49	9L76	L.H.-Tan Artificial Leather	●8L 7664431-K	1
49	9H72	R.H.-M-19101-V Blue Gray Broadcloth	△8H 7264430-E	1
49	9H72	L.H.-M-19101-V Blue Gray Broadcloth	△8H 7264431-E	1
49	9H72	R.H.-M-19101-V Blue Gray Broadcloth	*8H 7264430-J	1
49	9H72	L.H.-M-19101-V Blue Gray Broadcloth	*8H 7264431-J	1
49	9H72	R.H.-M-19104-F Blue Gray Broadcloth	△8H 7264430-H	1
49	9H72	L.H.-M-19104-F Blue Gray Broadcloth	△8H 7264431-H	1
49	9H72	R.H.-M-19104-F Blue Gray Broadcloth	*8H 7264430-M	1
49	9H72	L.H.-M-19104-F Blue Gray Broadcloth	*8H 7264431-M	1
49	9H72	R.H.-M-19104-E Green Broadcloth	△8H 7264430-G	1
49	9H72	L.H.-M-19104-E Green Broadcloth	△8H 7264431-G	1
49	9H72	R.H.-M-19104-E Green Broadcloth	*8H 7264430-L	1
49	9H72	L.H.-M-19104-E Green Broadcloth	*8H 7264431-L	1
49	9H72	R.H.-M-19101-N Tan Broadcloth	△8H 7264430-F	1
49	9H72	L.H.-M-19101-N Tan Broadcloth	△8H 7264431-F	1
49	9H72	R.H.-M-19101-N Tan Broadcloth	*8H 7264430-K	1
49	9H72	L.H.-M-19101-N Tan Broadcloth	*8H 7264431-K	1

△ Used on cars having front seat with metal stationary foot rest welded to seat frame.

● Used on cars having front seat without foot rest.

* Used on cars having front seat with adjustable foot rest or stationary foot rest bolted to seat frame.

Lincoln and Lincoln Cosmopolitan

BODY PARTS CATALOGUE

YEAR 19	BODY TYPES	REMARKS	PART NUMBER	NO. REQ'D
Group 64430-1 COVER ASSEMBLY (FRONT SEAT BACK FRAME)-CONTINUED				
49	9H73-74	M-19101-V Blue Gray Broadcloth	△8M 7364430-K	1
49	9H73-74	M-19101-V Blue Gray Broadcloth	*8H 7364430-P	1
49	9H73-74	M-19104-F Blue Gray Broadcloth	△8H 7364430-N	1
49	9H73-74	M-19104-F Blue Gray Broadcloth	*8H 7364430-T	1
49	9H73-74	M-19104-E Green Broadcloth	△8H 7364430-M	1
49	9H73-74	M-19104-E Green Broadcloth with One Tone Carpet	*8H 7364430-V	1
49	9H73-74	M-19104-E Green Broadcloth with Two Tone Carpet	*8H 7364430-S	1
49	9H73-74	M-19101-N Tan Broadcloth	△8H 7364430-L	1
49	9H73-74	M-19101-N Tan Broadcloth	*8H 7364430-Q	1
49	9H76	R.H.-Blue Artificial Leather	△8H 7664430-K	1
49	9H76	L.H.-Blue Artificial Leather	△8H 7664431-K	1
49	9H76	R.H.-Blue Artificial Leather	*8H 7664430-S	1
49	9H76	L.H.-Blue Artificial Leather	*8H 7664431-S	1
49	9H76	R.H.-Green Artificial Leather	△8H 7664430-J	1
49	9H76	L.H.-Green Artificial Leather	△8H 7664431-J	1
49	9H76	R.H.-Green Artificial Leather	*8H 7664430-Q	1
49	9H76	L.H.-Green Artificial Leather	*8H 7664431-Q	1
49	9H76	R.H.-Lime Green Artificial Leather	△8H 7664430-M	1
49	9H76	L.H.-Lime Green Artificial Leather	△8H 7664431-M	1
49	9H76	R.H.-Lime Green Artificial Leather	*8H 7664430-U	1
49	9H76	L.H.-Lime Green Artificial Leather	*8H 7664431-U	1
49	9H76	R.H.-Red Artificial Leather	△8H 7664430-G	1
49	9H76	L.H.-Red Artificial Leather	△8H 7664431-G	1
49	9H76	R.H.-Red Artificial Leather	*8H 7664430-N	1
49	9H76	L.H.-Red Artificial Leather	*8H 7664431-N	1
49	9H76	R.H.-Tan Artificial Leather	△8H 7664430-H	1
49	9H76	L.H.-Tan Artificial Leather	△8H 7664431-H	1
49	9H76	R.H.-Tan Artificial Leather	*8H 7664430-P	1
49	9H76	L.H.-Tan Artificial Leather	*8H 7664431-P	1
49	9H76	R.H.-Yellow Artificial Leather	△8H 7664430-L	1
49	9H76	L.H.-Yellow Artificial Leather	△8H 7664431-L	1
49	9H76	R.H.-Yellow Artificial Leather	*8H 7664430-T	1
49	9H76	L.H.-Yellow Artificial Leather	*8H 7664431-T	1
49	9H73-74,9L74	Screw (drive-combination)-No. 4	351580-S28-A1	2

Group 64598 COVER ASSEMBLY (FRONT SEAT BACK FRAME HINGE)-OUTSIDE

49	9L72	M-19152-T Blue Gray Broadcloth	△8L 7264598-C	2
49	9L72	M-19152-L Gray Broadcloth	△8L 7264598-A	2
49	9L72	M-19152-M Brown Taupe Broadcloth	△8L 7264598-B	2
49	9H72	M-19101-V Blue Gray Broadcloth	△8H 7264598-A	2
49	9H72	M-19104-F Blue Gray Broadcloth	△8H 7264598-D	2
49	9H72	M-19104-E Green Broadcloth	△8H 7264598-C	2
49	9H72	M-19101-N Tan Broadcloth	△8H 7264598-B	2

Group 64614 COVER ASSEMBLY (FRONT SEAT BASE CENTER BRACKET)

49	9L72	M-19152-L Gray Broadcloth	●8L 7264614-A	1
49	9L72	M-19141-P Dark Gray Bedford Cord Broadcloth	●8L 7264614-C	1
49	9L72	M-19152-V Dark Gray Broadcloth	●8L 7264614-D	1

△ Used on cars having front seat with metal stationary foot rest welded to seat frame.

● Used on cars having front seat without foot rest.

* Used on cars having front seat with adjustable foot rest or stationary foot rest bolted to seat frame.

Lincoln and Lincoln Cosmopolitan

BODY PARTS CATALOGUE

YEAR 19	BODY TYPES	REMARKS	PART NUMBER	NO. REQ'D
Group 64614 COVER ASSEMBLY (FRONT SEAT BASE CENTER BRACKET)-CONTINUED				
49	9L72	M-19105-G Green Shadow Stripe Broadcloth	8L 7264614-E	1
49	9L72	M-19105-H Green Shadow Stripe Broadcloth	8L 7264614-F	1
49	9L72	M-19105-J Green Shadow Stripe Broadcloth	8L 7264614-G	1
49	9L72	M-19152-M Brown Taupe Broadcloth	●8L 7264614-B	1
49	9L76	Blue Artificial Leather	●8L 7664614-D	1
49	9L76	Green Artificial Leather	●8L 7664614-C	1
49	9L76	Red Artificial Leather	●8L 7664614-A	1
49	9L76	Tan Artificial Leather	●8L 7664614-B	1
49	9H72	M-19101-V Blue Gray Broadcloth	*8H 7264614-A	1
49	9H72	M-19101-F Blue Gray Broadcloth	*8H 7264614-D	1
49	9H72	M-19106-H Dark Gray Plain Broadcloth	8H 7264614-G	1
49	9H72	M-19101-E Green Broadcloth	*8H 7262614-C	1
49	9H72	M-19106-B Dark Green Plain Broadcloth	8H 7264614-E	1
49	9H72	M-19101-N Tan Broadcloth	*8H 7264614-B	1
49	9H72	M-19106-D Dark Tan Plain Broadcloth	8H 7264614-F	1
49	9H76	Blue Artificial Leather	*8H 7664614-D	1
49	9H76	Green Artificial Leather	*8H 7664614-C	1
49	9H76	Lime Green Artificial Leather	*8H 7664614-F	1
49	9H76	Red Artificial Leather	*8H 7664614-A	1
49	9H76	Tan Artificial Leather	*8H 7664614-B	1
49	9H76	Yellow Artificial Leather	*8H 7664614-E	1
Group 64800-1 PAD ASSEMBLY (FRONT SEAT BACK SPRING)				
49	9L74		△8H 7464800	1
49	9L74	Cotton	●8L 7364800	1
49	9H73		△8H 7364800	1
49	9H73-74	Cotton	*8L 7364800	1
49	9H74		△8H 7464800	1
49	9L76, 9H76	R.H.	△8H 7664800	1
49	9L76, 9H76	L.H.	△8H 7664801	1
Group 64804 ROLL ASSEMBLY (FRONT SEAT BACK TOP)				
49	9L except 74		8M 7064804	2
Group 64810 PAD (FRONT SEAT BACK)-LOWER				
49	9H73		△8H 7364810	1
Group 64810-1 PAD ASSEMBLY (FRONT SEAT BACK)-LOWER				
49	9L except 74	R.H.	●8L 7264810-B	1
49	9L except 74	L.H.	●8L 7264811-B	1
49	9L72, 9H72	R.H.	△8M 7064810	1
49	9L72, 9H72	L.H.	△8M 7064811	1
49	9L76	R.H.	△8H 7664810	1
49	9L76	L.H.	△8H 7664811	1
49	9H72-76	R.H.	*8L 7264810-B	1
49	9H72-76	L.H.	*8L 7264811-B	1
49	9H76	R.H.	△8H 7664810	1
49	9H76	L.H.	△8H 7664811	1

△ Used on cars having front seat with metal stationary foot rest welded to seat frame.

● Used on cars having front seat without foot rest.

* Used on cars having front seat with adjustable foot rest or stationary foot rest bolted to seat frame.

Lincoln and Lincoln Cosmopolitan

BODY PARTS CATALOGUE

YEAR 19	BODY TYPES	REMARKS	PART NUMBER	NO. REQ'D
Group 64816 PAD (FRONT SEAT BACK)-UPPER				
49	9H73		△8H 7364816	1
Group 64870-1 PAD ASSEMBLY (FRONT SEAT BACK COVER)-UPPER				
49	9L72,9H72	R.H.	8L 7264870	1
49	9L72,9H72	L.H.	8L 7264871	1
Group 64872-3 PAD ASSEMBLY (FRONT SFAT BACK COVER)-LOWER				
49	9L72	R.H.	8L 7264872	1
49	9L72	L.H.	8L 7264873	1
Group 65224 CORDWELT ASSEMBLY (FRONT SEAT BACK)				
49	9L72	Blue Green Artificial Leather	●8L 7065224-E	1
49	9L72	Gray Bedford Artificial Leather	●8L 7065224-G	1
49	9L72	Brown Taupe Artificial Leather	●8L 7065224-F	1
49	9L72,9H72	Dark Gray Artificial Leather	8L 7265224-C	2
49	9L72,9H72	Dark Green Artificial Leather	8L 7265224-A	2
49	9L72,9H72	Dark Tan Artificial Leather	8L 7265224-B	2
49	9L74	Gray Artificial Leather	8L 7365224-A	2
49	9L74	Gray Bedford Artificial Leather	8L 7365224-C	2
49	9L74	Brown Taupe Artificial Leather	8L 7365224-B	2
49	9L74,9H73-74	Dark Gray Artificial Leather	8L 7365224-G	1
49	9L74,9H73-74	Dark Green Artificial Leather	8L 7365224-E	1
49	9L74,9H73-74	Dark Tan Artificial Leather	8L 7365224-F	1
49	9H73-74	Dark Blue Gray Artificial Leather	8H 7365224-D	1
49	9H73-74	Blue Gray Artificial Leather	8H 7365224-A	1
49	9H73-74	Green Gray Artificial Leather	8H 7365224-C	1
49	9H73-74	Tan Artificial Leather	8H 7365224-B	1
Group 65228-9 CORDWELT AND TAB ASSEMBLY (FRONT SEAT BACK)				
49	9L72	R.H.-use with Blue Bedford Cord Scheme	△8L 7265228-C	1
49	9L72	L.H.-use with Blue Bedford Cord Scheme	△8L 7265229-C	1
49	9L72	R.H.-use with Gray Birdseye Broadcloth Scheme	△8L 7265228-A	1
49	9L72	L.H.-use with Gray Birdseye Broadcloth Scheme	△8L 7265229-A	1
49	9L72	R.H.-use with Yellow Check Broadcloth Scheme	△8L 7265228-B	1
49	9L72	L.H.-use with Yellow Check Broadcloth Scheme	△8L 7265229-B	1
49	9H72	R.H.-use with Blue Pin Stripe Broadcloth Scheme	△8H 7265228-D	1
49	9H72	L.H.-use with Blue Pin Stripe Broadcloth Scheme	△8H 7265229-D	1
49	9H72	R.H.-use with Blue and Rust Tweed Broadcloth Scheme	△8H 7265228-A	1
49	9H72	L.H.-use with Blue and Rust Tweed Broadcloth Scheme	△8H 7265229-A	1
49	9H72	R.H.-use with Brown Stripe Broadcloth Scheme	△8H 7265228-B	1
49	9H72	L.H.-use with Brown Stripe Broadcloth Scheme	△8H 7265229-B	1
49	9H72	R.H.-use with Green Birdseye Broadcloth Scheme	△8H 7265228-C	1
49	9H72	L.H.-use with Green Birdseye Broadcloth Scheme	△8H 7265229-C	1
49	9L72-76,9H72-76	R.H.-Tan Leather	△8H 7665228-B	1
49	9L72-76,9H72-76	L.H.-Tan Leather	△8H 7665229-B	1
49	9L76,9H76	R.H.-Blue Leather	△8H 7665228-D	1
49	9L76,9H76	L.H.-Blue Leather	△8H 7665229-D	1

△

Used on cars having front seat with metal stationary foot rest welded to seat frame.

●

Used on cars having front seat without foot rest.

Lincoln and Lincoln Cosmopolitan

BODY PARTS CATALOGUE

YEAR 19	BODY TYPES	REMARKS	PART NUMBER	NO. REQ'D
Group 65228-9 CORDWELT AND TAB ASSEMBLY (FRONT SEAT BACK)-CONTINUED				
49	9L76,9H76	R.H.-Green Leather	△8H 7665228-C	1
49	9L76,9H76	L.H.-Green Leather	△8H 7665229-C	1
49	9L76,9H76	R.H.-Red Leather	△8H 7665228-A	1
49	9L76,9H76	L.H.-Red Leather	△8H 7665229-A	1
49	9H76	R.H.-Lime Green Leather	△8H 7665228-F	1
49	9H76	L.H.-Lime Green Leather	△8H 7665229-F	1
49	9H76	R.H.-Yellow Leather	△8H 7665228-E	1
49	9H76	L.H.-Yellow Leather	△8H 7665229-E	1

Group 66432-3 COVER ASSEMBLY (FRONT SEAT FRAME)-INSIDE				
49	9L74	R.H.-M-19152-T Blue Gray Broadcloth	△8L 7366432-C	1
49	9L74	L.H.-M-19152-T Blue Gray Broadcloth	△8L 7366433-C	1
49	9L74	R.H.-M-19152-L Gray Broadcloth	△8L 7366432-A	1
49	9L74	L.H.-M-19152-L Gray Broadcloth	△8L 7366433-A	1
49	9L74	R.H.-M-19152-M Brown Taupe Broadcloth	△8L 7366432-B	1
49	9L74	L.H.-M-19152-M Brown Taupe Broadcloth	△8L 7366433-B	1
49	9H73-74	R.H.-M-19101-V Blue Gray Broadcloth	△8H 7366432-A	1
49	9H73-74	L.H.-M-19101-V Blue Gray Broadcloth	△8H 7366433-A	1
49	9H73-74	R.H.-M-19104-F Blue Gray Broadcloth	△8H 7366432-D	1
49	9H73-74	L.H.-M-19104-F Blue Gray Broadcloth	△8H 7366433-D	1
49	9H73-74	R.H.-M-19104-E Green Broadcloth	△8H 7366432-C	1
49	9H73-74	L.H.-M-19104-E Green Broadcloth	△8H 7366433-C	1
49	9H73-74	R.H.-M-19101-N Tan Broadcloth	△8H 7366432-B	1
49	9H73-74	L.H.-M-19101-N Tan Broadcloth	△8H 7366433-B	1

Group 66450 CORDWELT ASSEMBLY (FRONT SEAT SIDE SHIELD)				
49	9L72	use with Blue Bedford Cord Scheme	△8L 7066450-C	2
49	9L72	use with Blue Bedford Cord Scheme	●8L 7066450-G	1
49	9L72	use with Gray Birdseye Broadcloth Scheme	△8L 7066450-A	2
49	9L72	use with Gray Birdseye Broadcloth Scheme	●8L 7066450-E	1
49	9L72	use with Yellow Check Broadcloth Scheme	△8L 7066450-B	2
49	9L72	use with Yellow Check Broadcloth Scheme	●8L 7066450-F	1
49	9L72,9H72	Dark Gray Artificial Leather	8L 7266450-C	2
49	9L72,9H72	Dark Green Artificial Leather	8L 7266450-A	2
49	9L72,9H72	Dark Tan Artificial Leather	8L 7266450-B	2
49	9L76	Blue Leather	●8H 7666450-K	2
49	9L76	Green Leather	●8H 7666450-J	2
49	9L76	Red Leather	●8H 7666450-G	2
49	9L76	Tan Leather	●8H 7666450-H	2
49	9L76,9H76	Blue Leather	△8H 7666450-D	2
49	9L76,9H76	Green Leather	△8H 7666450-C	2
49	9L76,9H76	Red Leather	△8H 7666450-A	2
49	9L76,9H76	Tan Leather	△8H 7666450-B	2
49	9H72	use with Blue Pin Stripe Broadcloth Scheme	△8H 7266450-D	2
49	9H72	use with Blue Pin Stripe Broadcloth Scheme	★8H 7266450-H	2
49	9H72	use with Blue and Rust Tweed Broadcloth Scheme	△8H 7266450-A	2
49	9H72	use with Blue and Rust Tweed Broadcloth Scheme	★8H 7266450-E	2

△ Used on cars having front seat with metal stationary foot rest welded to seat frame.

● Used on cars having front seat without foot rest.

★ Used on cars having front seat with adjustable foot rest or stationary foot rest bolted to seat frame.

Lincoln and Lincoln Cosmopolitan

BODY PARTS CATALOGUE

YEAR 19__	BODY TYPES	REMARKS	PART NUMBER	NO. REQ'D
Group 66450 CORDWELT ASSEMBLY (FRONT SEAT SIDE SHIELD)-CONTINUED				
49	9H72	use with Brown Stripe Broadcloth Scheme	△8H 7266450-B	2
49	9H72	use with Brown Stripe Broadcloth Scheme	*8H 7266450-F	2
49	9H72	use with Green Birdseye Broadcloth Scheme	△8H 7266450-C	2
49	9H72	use with Green Birdseye Broadcloth Scheme	*8H 7266450-G	2
49	9H76	Blue Leather	*8H 7666450-K	2
49	9H76	Green Leather	*8H 7666450-J	2
49	9H76	Lime Green Leather	△8H 7666450-F	2
49	9H76	Lime Green Leather	*8H 7666450-M	2
49	9H76	Red Leather	*8H 7666450-G	2
49	9H76	Tan Leather	*8H 7666450-H	2
49	9H76	Yellow Leather	△8H 7666450-E	2
49	9H76	Yellow Leather	*8H 7666450-L	2
Group 66604-5 CUSHION ASSEMBLY (REAR SEAT BACK)				
49	9L72	R.H.-Upper M-19101-U Blue Green Birdseye Broadcloth, Lower M-19101-Q Gray Broadcloth	△8L 7266604-A	1
49	9L72	L.H.-Upper M-19101-U Blue Green Birdseye Broadcloth, Lower M-19101-Q Gray Broadcloth	△8L 7266605-A	1
49	9L72	R.H.-M-19141-N Gray Bedford Cord	△8L 7266604-C	1
49	9L72	L.H.-M-19141-N Gray Bedford Cord	△8L 7266605-C	1
49	9L72	R.H.-Upper M-19101-P Tan and Yellow Check Broadcloth, Lower M-19101-S Brown Taupe Broadcloth	△8L 7266604-B	1
49	9L72	L.H.-Upper M-19101-P Tan and Yellow Check Broadcloth, Lower M-19101-S Brown Taupe Broadcloth	△8L 7266605-B	1
49	9L72	R.H.-Upper M-19101-W Tan and Yellow Broken Stripe Broadcloth, Lower M-19101-S Brown Taupe Broadcloth	△8L 7266604-E	1
49	9L72	L.H.-Upper M-19101-W Tan and Yellow Broken Stripe Broadcloth, Lower M-19101-S Brown Taupe Broadcloth	△8L 7266605-E	1
49	9L except 76	R.H.-Upper M-19101-U Blue Green Birdseye Broadcloth, Lower M-19101-Q Gray Broadcloth	●8L 7266604-F	1
49	9L except 76	L.H.-Upper M-19101-U Blue Green Birdseye Broadcloth, Lower M-19101-Q Gray Broadcloth	●8L 7266605-F	1
49	9L except 76	R.H.-M-19141-N Gray Bedford Cord	●8L 7266604-H	1
49	9L except 76	L.H.-M-19141-N Gray Bedford Cord	●8L 7266605-H	1
49	9L except 76	R.H.-M-19141-P Dark Gray Bedford Cord	●8L 7266604-K	1
49	9L except 76	L.H.-M-19141-P Dark Gray Bedford Cord	●8L 7266605-K	1
49	9L except 76	R.H.-Upper M-19105-K Light Gray Plain Broadcloth, Lower M-19105-J Gray Shadow Stripe Broadcloth	8L 7266604-N	1
49	9L except 76	L.H.-Upper M-19105-K Light Gray Plain Broadcloth, Lower M-19105-J Gray Shadow Stripe Broadcloth	8L 7266605-N	1
49	9L except 76	R.H.-Upper M-19105-B Light Green Plain Broadcloth, Lower M-19105-G Green Shadow Stripe Broadcloth	8L 7266604-L	1
49	9L except 76	R.H.-Upper M-19105-B Light Green Plain Broadcloth, Lower M-19105-C Green Shadow Stripe Broadcloth	8L 7266605-L	1
49	9L except 76	R.H.-Upper M-19101-W Tan and Yellow Broken Stripe Broadcloth, Lower M-19101-S Brown Taupe Broadcloth	●8L 7266604-G	1
49	9L except 76	L.H.-Upper M-19101-W Tan and Yellow Broken Stripe Broadcloth, Lower M-19101-S Brown Taupe Broadcloth	●8L 7266605-G	1
49	9L except 76	R.H.-Upper M-19105-D Light Tan Plain Broadcloth, Lower M-19105-H Tan Shadow Stripe Broadcloth	8L 7266604-M	1
49	9L except 76	L.H.-Upper M-19105-D Light Tan Plain Broadcloth, Lower M-19105-H Tan Shadow Stripe Broadcloth	8L 7266605-M	1

△ Used on cars having front seat with metal stationary foot rest welded to seat frame.

● Used on cars having front seat without foot rest.

* Used on cars having front seat with adjustable foot rest or stationary foot rest bolted to seat frame.

Lincoln and Lincoln Cosmopolitan

BODY PARTS CATALOGUE

YEAR 19	BODY TYPES	REMARKS	PART NUMBER	NO. REQ'D
Group 66604-5 CUSHION ASSEMBLY (REAR SEAT BACK)-CONTINUED				
49	9L74	R.H.-Upper M-19101-U Blue Green Birdseye Broadcloth, Lower M-19101-Q Gray Broadcloth	△8L 7466604-A	1
49	9L74	L.H.-Upper M-19101-U Blue Green Birdseye Broadcloth, Lower M-19101-Q Gray Broadcloth	△8L 7466605-A	1
49	9L74	R.H.-M-19141-N Gray Bedford Cord	△8L 7466604-C	1
49	9L74	L.H.-M-19141-N Gray Bedford Cord	△8L 7466605-C	1
49	9L74	R.H.-Upper M-19101-P Tan and Yellow Check Broadcloth, Lower M-19101-S Brown Taupe Broadcloth	△8L 7466604-B	1
49	9L74	L.H.-Upper M-19101-P Tan and Yellow Check Broadcloth, Lower M-19101-S Brown Taupe Broadcloth	△8L 7466605-B	1
49	9L74	R.H.-Upper M-19101-W Tan and Yellow Broken Stripe Broadcloth, Lower M-19101-S Brown Taupe Broadcloth	△8L 7466604-E	1
49	9L74	L.H.-Upper M-19101-W Tan and Yellow Broken Stripe Broadcloth, Lower M-19101-S Brown Taupe Broadcloth	△8L 7466605-E	1
49	9L76	R.H.-Upper Blue Leather, Lower M-5085-S Blue Bedford Cord	△8L 7666604-D	1
49	9L76	L.H.-Upper Blue Leather, Lower M-5085-S Blue Bedford Cord	△8L 7666605-D	1
49	9L76	R.H.-Upper Blue Leather, Lower M-5085-S Blue Bedford Cord	●8L 7666604-H	1
49	9L76	L.H.-Upper Blue Leather, Lower M-5085-S Blue Bedford Cord	●8L 7666605-H	1
49	9L76	R.H.-Upper Green Leather, Lower M-5085-Q Green Bedford Cord	△8L 7666604-C	1
49	9L76	L.H.-Upper Green Leather, Lower M-5085-Q Green Bedford Cord	△8L 7666605-C	1
49	9L76	R.H.-Upper Green Leather, Lower M-5085-Q Green Bedford Cord	●8L 7666604-G	1
49	9L76	L.H.-Upper Green Leather, Lower M-5085-Q Green Bedford Cord	●8L 7666605-G	1
49	9L76	R.H.-Upper Red Leather, Lower M-5085-P Tan Bedford Cord	△8L 7666604-A	1
49	9L76	L.H.-Upper Red Leather, Lower M-5085-P Tan Bedford Cord	△8L 7666605-A	1
49	9L76	R.H.-Upper Red Leather, Lower M-5085-P Tan Bedford Cord	●8L 7666604-E	1
49	9L76	L.H.-Upper Red Leather, Lower M-5085-P Tan Bedford Cord	●8L 7666605-E	1
49	9L76	R.H.-Upper Tan Leather, Lower M-5085-P Tan Bedford Cord	△8L 7666604-B	1
49	9L76	L.H.-Upper Tan Leather, Lower M-5085-P Tan Bedford Cord	△8L 7666605-B	1
49	9L76	R.H.-Upper Tan Leather, Lower M-5085-P Tan Bedford Cord	●8L 7666604-F	1
49	9L76	L.H.-Upper Tan Leather, Lower M-5085-P Tan Bedford Cord	●8L 7666605-F	1
49	9H72	R.H.-Upper M-19101-U Blue Gray Broadcloth, Lower M-19101-L Blue Gray Broadcloth	△8H 7266604-A	1
49	9H72	L.H.-Upper M-19101-U Blue Gray Broadcloth, Lower M-19101-L Blue Gray Broadcloth	△8H 7266605-A	1
49	9H72	R.H.-Upper M-19104-F Blue Gray Broadcloth, Lower M-19104-D Blue Stripe Broadcloth	△8H 7266604-D	1
49	9H72	L.H.-Upper M-19104-F Blue Gray Broadcloth, Lower M-19104-D Blue Stripe Broadcloth	△8H 7266605-D	1
49	9H72	R.H.-Upper M-19104-E Green Broadcloth, Lower M-19104-C Green Gray Broadcloth	△8H 7266604-C	1
49	9H72	L.H.-Upper M-19104-E Green Broadcloth, Lower M-19104-C Green Gray Broadcloth	△8H 7266605-C	1
49	9H72	R.H.-Upper M-19101-N Tan Broadcloth, Lower M-19101-T Brown Stripe Broadcloth	△8H 7266604-B	1
49	9H72	L.H.-Upper M-19101-N Tan Broadcloth, Lower M-19101-T Brown Stripe Broadcloth	△8H 7266605-B	1

△ Used on cars having front seat with metal stationary foot rest welded to seat frame.

● Used on cars having front seat without foot rest.

Lincoln and Lincoln Cosmopolitan

BODY PARTS CATALOGUE

YEAR 19	BODY TYPES	REMARKS	PART NUMBER	NO. REQ'D
Group 66604-5 CUSHION ASSEMBLY (REAR SEAT BACK)-CONTINUED				
49	9H72-74	R.H.-Upper M-19101-V Blue Gray Broadcloth, Lower M-19101-L Blue Gray Broadcloth	*8H 7266604-F	1
49	9H72-74	L.H.-Upper M-19101-V Blue Gray Broadcloth, Lower M-19101-L Blue Gray Broadcloth	*8H 7266605-F	1
49	9H72-74	R.H.-Upper M-19104-F Blue Gray Broadcloth, Lower M-19104-D Blue Stripe Broadcloth	*8H 7266604-J	1
49	9H72-74	L.H.-Upper M-19104-F Blue Gray Broadcloth, Lower M-19104-D Blue Stripe Broadcloth	*8H 7266605-J	1
49	9H72-74	R.H.-Upper M-19105-L Gray Shadow Stripe Broadcloth, Lower M-19105-K Light Gray Plain Broadcloth	8H 7266604-N	1
49	9H72-74	L.H.-Upper M-19105-L Gray Shadow Stripe Broadcloth, Lower M-19105-K Light Gray Plain Broadcloth	8H 7266605-N	1
49	9H72-74	R.H.-Upper M-19104-E Green Broadcloth, Lower M-19104-C Green Gray Broadcloth	*8H 7266604-H	1
49	9H72-74	L.H.-Upper M-19104-E Green Broadcloth, Lower M-19104-C Green Gray Broadcloth	*8H 7266605-H	1
49	9H72-74	R.H.-Upper M-19105-A Green Shadow Stripe Broadcloth, Lower M-19105-B Light Green Plain Broadcloth	8H 7266604-L	1
49	9H72-74	L.H.-Upper M-19105-A Green Shadow Stripe Broadcloth, Lower M-19105-B Light Green Plain Broadcloth	8H 7266605-L	1
49	9H72-74	R.H.-Upper M-19101-N Tan Broadcloth, Lower M-19101-T Brown Stripe Broadcloth	*8H 7266604-G	1
49	9H72-74	L.H.-Upper M-19101-N Tan Broadcloth, Lower M-19101-T Brown Stripe Broadcloth	*8H 7266605-G	1
49	9H72-74	R.H.-Upper M-19105-C Tan Shadow Stripe Broadcloth, Lower M-19105-D Light Tan Plain Broadcloth	8H 7266604-M	1
49	9H72-74	L.H.-Upper M-19105-C Tan Shadow Stripe Broadcloth, Lower M-19105-D Light Tan Plain Broadcloth	8H 7266605-M	1
49	9H73	R.H.-Upper M-19101-V Blue Gray Broadcloth, Lower M-19101-L Blue Gray Broadcloth	△8H 7366604-A	1
49	9H73	L.H.-Upper M-19101-V Blue Gray Broadcloth, Lower M-19101-L Blue Gray Broadcloth	△8H 7366605-A	1
49	9H73	R.H.-Upper M-19104-F Blue Gray Broadcloth, Lower M-19104-D Blue Stripe Broadcloth	△8H 7366604-D	1
49	9H73	L.H.-Upper M-19104-F Blue Gray Broadcloth, Lower M-19104-D Blue Stripe Broadcloth	△8H 7366605-D	1
49	9H73	R.H.-Upper M-19101-V Blue Gray Broadcloth, Lower M-19101-L Blue Gray Broadcloth	*8H 7366604-F	1
49	9H73	L.H.-Upper M-19101-V Blue Gray Broadcloth, Lower M-19101-L Blue Gray Broadcloth	*8H 7366605-F	1
49	9H73	R.H.-Upper M-19104-F Blue Gray Broadcloth, Lower M-19104-D Blue Stripe Broadcloth	*8H 7366604-J	1
49	9H73	L.H.-Upper M-19104-F Blue Gray Broadcloth, Lower M-19104-D Blue Stripe Broadcloth	*8H 7366605-J	1
49	9H73	R.H.-Upper M-19105-L Gray Shadow Stripe Broadcloth, Lower M-19105-K Light Gray Plain Broadcloth	8H 7366604-N	1
49	9H73	L.H.-Upper M-19105-L Gray Shadow Stripe Broadcloth, Lower M-19105-K Light Gray Plain Broadcloth	8H 7366605-N	1
49	9H73	R.H.-Upper M-19104-E Green Broadcloth, Lower M-19104-C Green Gray Broadcloth	△8H 7366604-C	1
49	9H73	L.H.-Upper M-19104-E Green Broadcloth, Lower M-19104-C Green Gray Broadcloth	△8H 7366605-C	1

△ Used on cars having front seat with metal stationary foot rest welded to seat frame.

* Used on cars having front seat with adjustable foot rest or stationary foot rest bolted to seat frame.

Lincoln and Lincoln Cosmopolitan

BODY PARTS CATALOGUE

YEAR 19	BODY TYPES	REMARKS	PART NUMBER	NO. REQ'D
Group 66604-5 CUSHION ASSEMBLY (REAR SEAT BACK)-CONTINUED				
49	9H73	R.H.-Upper M-19104-E Green Broadcloth, Lower M-19104-C Green Gray Broadcloth	*8H 7366604-H	1
49	9H73	L.H.-Upper M-19104-E Green Broadcloth, Lower M-19104-C Green Gray Broadcloth	*8H 7366605-H	1
49	9H73	R.H.-Upper M-19105-A Green Shadow Stripe Broadcloth, Lower M-19105-B Light Green Plain Broadcloth	8H 7366604-L	1
49	9H73	L.H.-Upper M-19105-A Green Shadow Stripe Broadcloth, Lower M-19105-B Light Green Plain Broadcloth	8H 7366605-L	1
49	9H73	R.H.-Upper M-19101-N Tan Broadcloth, Lower M-19101-T Brown Stripe Broadcloth	△8H 7366604-B	1
49	9H73	L.H.-Upper M-19101-N Tan Broadcloth, Lower M-19101-T Brown Stripe Broadcloth	△8H 7366605-B	1
49	9H73	R.H.-Upper M-19101-N Tan Broadcloth, Lower M-19101-T Brown Stripe Broadcloth	*8H 7366604-G	1
49	9H73	L.H.-Upper M-19101-N Tan Broadcloth, Lower M-19101-T Brown Stripe Broadcloth	*8H 7366605-G	1
49	9H73	R.H.-Upper M-19105-C Tan Shadow Stripe Broadcloth, Lower M-19105-D Light Tan Shadow Stripe Broadcloth	8H 7366604-M	1
49	9H73	L.H.-Upper M-19105-C Tan Shadow Stripe Broadcloth, Lower M-19105-D Light Tan Shadow Stripe	8H 7366605-M	1
49	9H74	R.H.-Upper M-19101-V Blue Gray Broadcloth, Lower M-19101-L Blue Gray Broadcloth	△8H 7466604-A	1
49	9H74	L.H.-Upper M-19101-V Blue Gray Broadcloth, Lower M-19101-L Blue Gray Broadcloth	△8H 7466605-A	1
49	9H74	R.H.-Upper M-19104-F Blue Gray Broadcloth, Lower M-19104-D Blue Stripe Broadcloth	△8H 7466604-D	1
49	9H74	L.H.-Upper M-19104-F Blue Gray Broadcloth, Lower M-19104-D Blue Stripe Broadcloth	△8H 7466605-D	1
49	9H74	R.H.-Upper M-19104-E Green Broadcloth, Lower M-19104-C Green Gray Broadcloth	△8H 7466604-C	1
49	9H74	L.H.-Upper M-19104-E Green Broadcloth, Lower M-19104-C Green Gray Broadcloth	△8H 7466605-C	1
49	9H74	R.H.-Upper M-19101-N Tan Broadcloth, Lower M-19101-T Brown Stripe Broadcloth	△8H 7466604-B	1
49	9H74	L.H.-Upper M-19101-N Tan Broadcloth, Lower M-19101-T Brown Stripe Broadcloth	△8H 7466605-B	1
49	9H76	R.H.-Blue Leather-plain	8H 7666604-D	1
49	9H76	L.H.-Blue Leather-plain	8H 7666605-D	1
49	9H76	R.H.-Blue Leather with Two Tone Leather Trim-plain	8H 7666604-K	1
49	9H76	L.H.-Blue Leather with Two Tone Leather Trim-plain	8H 7666605-K	1
49	9H76	R.H.-Blue Leather-pleated	8H 7666604-S	1
49	9H76	L.H.-Blue Leather-pleated	8H 7666605-S	1
49	9H76	R.H.-Blue Leather with Two Tone Leather Trim-pleated	8H 7666604-Y	1
49	9H76	L.H.-Blue Leather with Two Tone Leather Trim-pleated	8H 7666605-Y	1
49	9H76	R.H.-Upper Blue Leather, Lower M-19146-M Blue Whipcord	8H 7666604-EA	1
49	9H76	L.H.-Upper Blue Leather, Lower M-19146-M Blue Whipcord	8H 7666605-EA	1
49	9H76	R.H.-Green Leather-plain	8H 7666604-C	1
49	9H76	L.H.-Green Leather-plain	8H 7666605-C	1
49	9H76	R.H.-Green Leather with Two Tone Leather Trim-plain	8H 7666604-J	1
49	9H76	L.H.-Green Leather with Two Tone Leather Trim-plain	8H 7666605-J	1
49	9H76	R.H.-Green Leather-pleated	8H 7666604-Q	1
49	9H76	L.H.-Green Leather-pleated	8H 7666605-Q	1

△ Used on cars having front seat with metal stationary foot rest welded to seat frame.

* Used on cars having front seat with adjustable foot rest or stationary foot rest bolted to seat frame.

Lincoln and Lincoln Cosmopolitan

BODY PARTS CATALOGUE

YEAR 19	BODY TYPES	REMARKS	PART NUMBER	NO. REQ'D
Group 66604-5 CUSHION ASSEMBLY (REAR SEAT BACK)-CONTINUED				
49	9H76	R.H.-Green Leather with Two Tone Leather Trim-pleated	8H 7666604-X	1
49	9H76	L.H.-Green Leather with Two Tone Leather Trim-pleated	8H 7666605-X	1
49	9H76	R.H.-Upper Green Leather, Lower M-19146-L Green Whipcord	8H 7666604-DA	1
49	9H76	L.H.-Upper Green Leather, Lower M-19146-L Green Whipcord	8H 7666605-DA	1
49	9H76	R.H.-Lime Green Leather-plain	8H 7666604-F	1
49	9H76	L.H.-Lime Green Leather-plain	8H 7666605-F	1
49	9H76	R.H.-Lime Green Leather with Two Tone Leather Trim-plain	8H 7666604-M	1
49	9H76	L.H.-Lime Green Leather with Two Tone Leather Trim-plain	8H 7666605-M	1
49	9H76	R.H.-Lime Green Leather-pleated	8H 7666604-U	1
49	9H76	L.H.-Lime Green Leather-pleated	8H 7666605-U	1
49	9H76	R.H.-Lime Green Leather with Two Tone Leather Trim-pleated	8H 7666605-AA	1
49	9H76	L.H.-Lime Green Leather with Two Tone Leather Trim-pleated	8H 7666605-AA	1
49	9H76	R.H.-Upper Lime Green Leather, Lower M-19146-N Yellow Beige Whipcord	8H 7666604-GA	1
49	9H76	L.H.-Upper Lime Green Leather, Lower M-19146-N Yellow Beige Whipcord	8H 7666605-GA	1
49	9H76	R.H.-Red Leather-plain	8H 7666604-A	1
49	9H76	L.H.-Red Leather-plain	8H 7666605-A	1
49	9H76	R.H.-Red Leather with Two Tone Leather Trim-plain	8H 7666604-G	1
49	9H76	L.H.-Red Leather with Two Tone Leather Trim-plain	8H 7666605-G	1
49	9H76	R.H.-Red Leather-pleated	8H 7666604-N	1
49	9H76	L.H.-Red Leather-pleated	8H 7666605-N	1
49	9H76	R.H.-Red Leather with Two Tone Leather Trim-pleated	8H 7666604-V	1
49	9H76	L.H.-Red Leather with Two Tone Leather Trim-pleated	8H 7666605-V	1
49	9H76	R.H.-Upper Red Leather, Lower M-19146-K Beige Whipcord	8H 7666604-BA	1
49	9H76	L.H.-Upper Red Leather, Lower M-19146-K Beige Whipcord	8H 7666605-BA	1
49	9H76	R.H.-Tan Leather-plain	8H 7666604-B	1
49	9H76	L.H.-Tan Leather-plain	8H 7666605-B	1
49	9H76	R.H.-Tan Leather with Two Tone Leather Trim-plain	8H 7666604-H	1
49	9H76	L.H.-Tan Leather with Two Tone Leather Trim-plain	8H 7666605-H	1
49	9H76	R.H.-Tan Leather-pleated	8H 7666604-P	1
49	9H76	L.H.-Tan Leather-pleated	8H 7666605-P	1
49	9H76	R.H.-Tan Leather with Two Tone Leather Trim-pleated	8H 7666604-W	1
49	9H76	L.H.-Tan Leather with Two Tone Leather Trim-pleated	8H 7666605-W	1
49	9H76	R.H.-Upper Tan Leather, Lower M-19146-K Beige Whipcord	8H 7666604-CA	1
49	9H76	L.H.-Upper Tan Leather, Lower M-19146-K Beige Whipcord	8H 7666605-CA	1
49	9H76	R.H.-Yellow Leather-plain	8H 7666604-E	1
49	9H76	L.H.-Yellow Leather-plain	8H 7666605-E	1
49	9H76	R.H.-Yellow Leather with Two Tone Leather Trim-plain	8H 7666604-L	1
49	9H76	L.H.-Yellow Leather with Two Tone Leather Trim-plain	8H 7666605-L	1
49	9H76	R.H.-Yellow Leather-pleated	8H 7666604-T	1
49	9H76	L.H.-Yellow Leather-pleated	8H 7666605-T	1
49	9H76	R.H.-Yellow Leather with Two Tone Leather Trim-pleated	8H 7666604-Z	1
49	9H76	L.H.-Yellow Leather with Two Tone Leather Trim-pleated	8H 7666605-Z	1
49	9H76	R.H.-Upper Yellow Leather, Lower M-19146-N Yellow Beige Whipcord	8H 7666604-FA	1
49	9H76	L.H.-Upper Yellow Leather, Lower M-19146-N Yellow Beige Whipcord	8H 7666605-FA	1
49	9H73-74, 9L74-76	Clip	358338-S	as req'd
49	9H76	Stud (Narrow Head Sheet Metal Base)-No. 8	352392-S13	2

Lincoln and Lincoln Cosmopolitan

BODY PARTS CATALOGUE

YEAR 19__	BODY TYPES	REMARKS	PART NUMBER	NO. REQ'D
Group 66606-7 COVER ASSEMBLY (REAR SEAT BACK CUSHION)				
49	9L72	R.H.-Upper M-19101-U Blue Green Birdseye Broadcloth, Lower M-19101-Q Gray Broadcloth	△8L 7266606-A	1
49	9L72	L.H.-Upper M-19101-U Blue Green Birdseye Broadcloth, Lower M-19101-Q Gray Broadcloth	△8L 7266607-A	1
49	9L72	R.H.-M-19141-N Gray Bedford Cord	△8L 7266606-C	1
49	9L72	L.H.-M-19141-N Gray Bedford Cord	△8L 7266607-C	1
49	9L72	R.H.-Upper M-19101-P Tan and Yellow Check Broadcloth, Lower M-19101-S Brown Taupe Broadcloth	△8L 7266606-B	1
49	9L72	L.H.-Upper M-19101-P Tan and Yellow Check Broadcloth, Lower M-19101-S Brown Taupe Broadcloth	△8L 7266607-B	1
49	9L72	R.H.-Upper M-19101-W Tan and Yellow Broken Stripe Broadcloth, Lower M-19101-S Brown Taupe Broadcloth	△8L 7266606-E	1
49	9L72	L.H.-Upper M-19101-W Tan and Yellow Broken Stripe Broadcloth, Lower M-19101-S Brown Taupe Broadcloth	△8L 7266607-E	1
49	9L72-74	R.H.-Upper M-19101-U Blue Green Birdseye Broadcloth, Lower M-19101-Q Gray Broadcloth	●8L 7266606-F	1
49	9L72-74	L.H.-Upper M-19101-U Blue Green Birdseye Broadcloth, Lower M-19101-Q Gray Broadcloth	●8L 7266607-F	1
49	9L except 76	R.H.-M-19141-N Gray Bedford Cord	●8L 7266606-H	1
49	9L except 76	L.H.-M-19141-N Gray Bedford Cord	●8L 7266607-H	1
49	9L except 76	R.H.-M-19141-P Dark Gray Bedford Cord	●8L 7266606-K	1
49	9L except 76	L.H.-M-19141-P Dark Gray Bedford Cord	●8L 7266607-K	1
49	9L except 76	R.H.-Upper M-19105-K Light Gray Plain Broadcloth, Lower M-19105-J Gray Shadow Stripe Broadcloth	8L 7266606-N	1
49	9L except 76	L.H.-Upper M-19105-K Light Gray Plain Broadcloth, Lower M-19105-J Gray Shadow Stripe Broadcloth	8L 7266607-N	1
49	9L except 76	R.H.-Upper M-19105-B Light Green Plain Broadcloth, Lower M-19105-G Green Shadow Stripe Broadcloth	8L 7266606-L	1
49	9L except 76	L.H.-Upper M-19105-B Light Green Plain Broadcloth, Lower M-19105-G Green Shadow Stripe Broadcloth	8L 7266607-L	1
49	9L except 76	R.H.-Upper M-19101-W Tan and Yellow Broken Stripe Broadcloth, Lower M-19101-S Brown Taupe Broadcloth	●8L 7266606-G	1
49	9L except 76	L.H.-Upper M-19101-W Tan and Yellow Broken Stripe Broadcloth, Lower M-19101-S Brown Taupe Broadcloth	●8L 7266607-G	1
49	9L except 76	R.H.-Upper M-19105-D Light Tan Plain Broadcloth, Lower M-19105-H Tan Shadow Stripe Broadcloth	8L 7266606-M	1
49	9L except 76	L.H.-Upper M-19105-D Light Tan Plain Broadcloth, Lower M-19105-H Tan Shadow Stripe Broadcloth	8L 7266607-M	1
49	9L74	R.H.-Upper M-19101-U Blue Green Birdseye Broadcloth, Lower M-19101-Q Gray Broadcloth	△8L 7466606-A	1
49	9L74	L.H.-Upper M-19101-U Blue Green Birdseye Broadcloth, Lower M-19101-Q Gray Broadcloth	△8L 7466607-A	1
49	9L74	R.H.-M-19141-N Gray Bedford Cord	△8L 7466606-C	1
49	9L74	L.H.-M-19141-N Gray Bedford Cord	△8L 7466607-C	1
49	9L74	R.H.-Upper M-19101-P Tan and Yellow Check Broadcloth, Lower M-19101-S Brown Taupe Broadcloth	△8L 7466606-B	1
49	9L74	L.H.-Upper M-19101-P Tan and Yellow Check Broadcloth, Lower M-19101-S Brown Taupe Broadcloth	△8L 7466607-B	1
49	9L74	R.H.-Upper M-19101-W Tan and Yellow Broken Stripe Broadcloth, Lower M-19101-S Brown Taupe Broadcloth	△8L 7466606-E	1
49	9L74	L.H.-Upper M-19101-W Tan and Yellow Broken Stripe Broadcloth, Lower M-19101-S Brown Taupe Broadcloth	△8L 7466607-E	1

△ Used on cars having front seat with metal stationary foot rest welded to seat frame.

● Used on cars having front seat without foot rest.

Lincoln and Lincoln Cosmopolitan

BODY PARTS CATALOGUE

YEAR 19	BODY TYPES	REMARKS	PART NUMBER	NO. REQ'D
Group 66606-7 COVER ASSEMBLY (REAR SEAT BACK CUSHION) -CONTINUED				
49	9L76	R.H.-Upper Blue Leather, Lower M-5085-S Blue Bedford Cord	△8L 7666606-D	1
49	9L76	L.H.-Upper Blue Leather, Lower M-5085-S Blue Bedford Cord	△8L 7666607-D	1
49	9L76	R.H.-Upper Blue Leather, Lower M-5085-S Blue Bedford Cord	●8L 7666606-H	1
49	9L76	L.H.-Upper Blue Leather, Lower M-5085-S Blue Bedford Cord	●8L 7666607-H	1
49	9L76	R.H.-Upper Green Leather, Lower M-5085-Q Green Bedford Cord	△8L 7666606-C	1
49	9L76	L.H.-Upper Green Leather, Lower M-5085-Q Green Bedford Cord	△8L 7666607-C	1
49	9L76	R.H.-Upper Green Leather, Lower M-5085-Q Green Bedford Cord	●8L 7666606-G	1
49	9L76	L.H.-Upper Green Leather, Lower M-5085-Q Green Bedford Cord	●8L 7666607-G	1
49	9L76	R.H.-Upper Red Leather, Lower M-5085-P Tan Bedford Cord	△8L 7666606-A	1
49	9L76	L.H.-Upper Red Leather, Lower M-5085-P Tan Bedford Cord	△8L 7666607-A	1
49	9L76	R.H.-Upper Red Leather, Lower M-5085-P Tan Bedford Cord	●8L 7666606-E	1
49	9L76	L.H.-Upper Red Leather, Lower M-5085-P Tan Bedford Cord	●8L 7666607-E	1
49	9L76	R.H.-Upper Tan Leather, Lower M-5085-P Tan Bedford Cord	△8L 7666606-B	1
49	9L76	L.H.-Upper Tan Leather, Lower M-5085-P Tan Bedford Cord	△8L 7666607-B	1
49	9L76	R.H.-Upper Tan Leather, Lower M-5085-P Tan Bedford Cord	●8L 7666606-F	1
49	9L76	L.H.-Upper Tan Leather, Lower M-5085-P Tan Bedford Cord	●8L 7666607-F	1
49	9H72	R.H.-Upper M-19101-V Blue Gray Broadcloth, Lower M-19101-L Blue Gray Broadcloth	△8H 7266606-A	1
49	9H72	L.H.-Upper M-19101-V Blue Gray Broadcloth, Lower M-19101-L Blue Gray Broadcloth	△8H 7266607-A	1
49	9H72	R.H.-Upper M-19104-F Blue Gray Broadcloth, Lower M-19104-D Blue Stripe Broadcloth	△8H 7266606-D	1
49	9H72	L.H.-Upper M-19104-F Blue Gray Broadcloth, Lower M-19104-D Blue Stripe Broadcloth	△8H 7266607-D	1
49	9H72	R.H.-Upper M-19104-E Green Broadcloth, Lower M-19104-C Green Gray Broadcloth	△8H 7266606-C	1
49	9H72	L.H.-Upper M-19104-E Green Broadcloth, Lower M-19104-C Green Gray Broadcloth	△8H 7266607-C	1
49	9H72	R.H.-Upper M-19101-N Tan Broadcloth, Lower M-19101-T Brown Stripe Broadcloth	△8H 7266606-B	1
49	9H72	L.H.-Upper M-19101-N Tan Broadcloth, Lower M-19101-T Brown Stripe Broadcloth	△8H 7266607-B	1
49	9H72-74	R.H.-Upper M-19101-V Blue Gray Broadcloth, Lower M-19101-L Blue Gray Broadcloth	*8H 7266606-F	1
49	9H72-74	L.H.-Upper M-19101-V Blue Gray Broadcloth, Lower M-19101-L Blue Gray Broadcloth	*8H 7266607-F	1
49	9H72-74	R.H.-Upper M-19104-F Blue Gray Broadcloth, Lower M-19104-D Blue Stripe Broadcloth	*8H 7266606-J	1
49	9H72-74	L.H.-Upper M-19104-F Blue Gray Broadcloth, Lower M-19104-D Blue Stripe Broadcloth	*8H 7266607-J	1
49	9H72-74	R.H.-Upper M-19105-L Gray Shadow Stripe Broadcloth, Lower M-19105-K Light Gray Plain Broadcloth	8H 7266606-N	1
49	9H72-74	L.H.-Upper M-19105-L Gray Shadow Stripe Broadcloth, Lower M-19105-K Light Gray Plain Broadcloth	8H 7266607-N	1
49	9H72-74	R.H.-Upper M-19104-E Green Broadcloth, Lower M-19104-C Green Gray Broadcloth	*8H 7266606-H	1
49	9H72-74	L.H.-Upper M-19104-E Green Broadcloth, Lower M-19104-E Green Gray Broadcloth	*8H 7266607-H	1
49	9H72-74	R.H.-Upper M-19105-A Green Shadow Stripe Broadcloth, Lower M-19105-B Light Green Plain Broadcloth	8H 7266606-L	1
49	9H72-74	L.H.-Upper M-19105-A Green Shadow Stripe Broadcloth, Lower M-19105-B Light Green Plain Broadcloth	8H 7266607-L	1

△ Used on cars having front seat with metal stationary foot rest welded to seat frame.

● Used on cars having front seat without foot rest.

* Used on cars having front seat with adjustable foot rest or stationary foot rest bolted to seat frame.

Lincoln and Lincoln Cosmopolitan

BODY PARTS CATALOGUE

YEAR 19	BODY TYPES	REMARKS	PART NUMBER	NO. REQ'D
Group 66606-7 COVER ASSEMBLY (REAR SEAT BACK CUSHION)-CONTINUED				
49	9H72-74	R.H.-Upper M-19101-N Tan Broadcloth, Lower M-19101-T Brown Stripe Broadcloth	*8H 7266606-G	1
49	9H72-74	L.H.-Upper M-19101-N Tan Broadcloth, Lower M-19101-T Brown Stripe Broadcloth	*8H 7266607-G	1
49	9H72-74	R.H.-Upper M-19105-C Tan Shadow Stripe Broadcloth, Lower M-19105-D Light Tan Plain Broadcloth	8H 7266606-M	1
49	9H72-74	L.H.-Upper M-19105-C Tan Shadow Stripe Broadcloth, Lower M-19105-D Light Tan Plain Broadcloth	8H 7266607-M	1
49	9H73	R.H.-Upper M-19101-V Blue Gray Broadcloth, Lower M-19101-L Blue Gray Broadcloth	△8H 7366606-A	1
49	9H73	L.H.-Upper M-19101-V Blue Gray Broadcloth, Lower M-19101-L Blue Gray Broadcloth	△8H 7366607-A	1
49	9H73	R.H.-Upper M-19101-V Blue Gray Broadcloth, Lower M-19101-L Blue Gray Broadcloth	*8H 7366606-F	1
49	9H73	L.H.-Upper M-19101-V Blue Gray Broadcloth, Lower M-19101-L Blue Gray Broadcloth	*8H 7366607-F	1
49	9H73	R.H.-Upper M-19104-F Blue Gray Broadcloth, Lower M-19104-D Blue Stripe Broadcloth	△8H 7366606-D	1
49	9H73	L.H.-Upper M-19104-F Blue Gray Broadcloth, Lower M-19104-D Blue Stripe Broadcloth	△8H 7366607-D	1
49	9H73	R.H.-Upper M-19104-F Blue Gray Broadcloth, Lower M-19104-D Blue Stripe Broadcloth	*8H 7366606-J	1
49	9H73	L.H.-Upper M-19104-F Blue Gray Broadcloth, Lower M-19104-D Blue Stripe Broadcloth	*8H 7366607-J	1
49	9H73	R.H.-Upper M-19105-L Gray Shadow Stripe Broadcloth, Lower M-19105-K Light Gray Broadcloth	8H 7366606-N	1
49	9H73	L.H.-Upper M-19105-L Gray Shadow Stripe Broadcloth, Lower M-19105-K Light Gray Broadcloth	8H 7366607-N	1
49	9H73	R.H.-Upper M-19104-E Green Broadcloth, Lower M-19104-C Green Gray Broadcloth	△8H 7366606-C	1
49	9H73	L.H.-Upper M-19104-E Green Broadcloth, Lower M-19104-C Green Gray Broadcloth	△8H 7366607-C	1
49	9H73	R.H.-Upper M-19104-E Green Broadcloth, Lower M-19104-C Green Gray Broadcloth	*8H 7366606-H	1
49	9H73	L.H.-Upper M-19104-E Green Broadcloth, Lower M-19104-C Green Gray Broadcloth	*8H 7366607-H	1
49	9H73	R.H.-Upper M-19105-A Green Shadow Stripe Broadcloth, Lower M-19105-B Light Green Plain Broadcloth	8H 7366606-L	1
49	9H73	L.H.-Upper M-19105-A Green Shadow Stripe Broadcloth, Lower M-19105-B Light Green Plain Broadcloth	8H 7366607-L	1
49	9H73	R.H.-Upper M-19101-N Tan Broadcloth, Lower M-19101-T Brown Stripe Broadcloth	△8H 7366606-B	1
49	9H73	L.H.-Upper M-19101-N Tan Broadcloth, Lower M-19101-T Brown Stripe Broadcloth	△8H 7366607-B	1
49	9H73	R.H.-Upper M-19101-N Tan Broadcloth, Lower M-19101-T Brown Stripe Broadcloth	*8H 7366606-G	1
49	9H73	L.H.-Upper M-19101-N Tan Broadcloth, Lower M-19101-T Brown Stripe Broadcloth	*8H 7366607-G	1
49	9H73	R.H.-Upper M-19105-C Tan Shadow Stripe Broadcloth, Lower M-19105-D Light Tan Shadow Stripe Broadcloth	8H 7366606-M	1
49	9H73	L.H.-Upper M-19105-C Tan Shadow Stripe Broadcloth, Lower M-19105-D Light Tan Shadow Stripe Broadcloth	8H 7366607-M	1

△ Used on cars having front seat with metal stationary foot rest welded to seat frame.

* Used on cars having front seat with adjustable foot rest or stationary foot rest bolted to seat frame.

Lincoln and Lincoln Cosmopolitan

BODY PARTS CATALOGUE

YEAR 19__	BODY TYPES	REMARKS	PART NUMBER	NO. REQ'D
Group 66606-7 COVER ASSEMBLY (REAR SEAT BACK CUSHION)-CONTINUED				
49	9H74	R.H.-Upper M-19101-V Blue Gray Broadcloth, Lower M-19101-L Blue Gray Broadcloth	△8H 7466606-A	1
49	9H74	L.H.-Upper M-19101-V Blue Gray Broadcloth, Lower M-19101-L Blue Gray Broadcloth	△8H 7466607-A	1
49	9H74	R.H.-Upper M-19104-F Blue Gray Broadcloth, Lower M-19104-D Blue Stripe Broadcloth	△8H 7466606-D	1
49	9H74	L.H.-Upper M-19104-F Blue Gray Broadcloth, Lower M-19104-D Blue Stripe Broadcloth	△8H 7466607-D	1
49	9H74	R.H.-Upper M-19104-E Green Broadcloth, Lower M-19104-C Green Gray Broadcloth	△8H 7466606-C	1
49	9H74	L.H.-Upper M-19104-E Green Broadcloth, Lower M-19104-C Green Gray Broadcloth	△8H 7466607-C	1
49	9H74	R.H.-Upper M-19101-N Tan Broadcloth, Lower M-19101-T Brown Stripe Broadcloth	△8H 7466606-B	1
49	9H74	L.H.-Upper M-19101-N Tan Broadcloth, Lower M-19101-T Brown Stripe Broadcloth	△8H 7466607-B	1
49	9H76	R.H.-Blue Leather-plain	8H 7666606-D	1
49	9H76	L.H.-Blue Leather-plain	8H 7666607-D	1
49	9H76	R.H.-Blue Leather with Two Tone Leather Trim-plain	8H 7666606-K	1
49	9H76	L.H.-Blue Leather with Two Tone Leather Trim-plain	8H 7666607-K	1
49	9H76	R.H.-Blue Leather-pleated	8H 7666606-S	1
49	9H76	L.H.-Blue Leather-pleated	8H 7666607-S	1
49	9H76	R.H.-Blue Leather with Two Tone Leather Trim-pleated	8H 7666606-Y	1
49	9H76	L.H.-Blue Leather with Two Tone Leather Trim-pleated	8H 7666607-Y	1
49	9H76	R.H.-Upper Blue Leather, Lower M-19146-M Blue Whipcord	8H 7666606-EA	1
49	9H76	L.H.-Upper Blue Leather, Lower M-19146-M Blue Whipcord	8H 7666607-EA	1
49	9H76	R.H.-Green Leather-plain	8H 7666606-C	1
49	9H76	L.H.-Green Leather-plain	8H 7666607-C	1
49	9H76	R.H.-Green Leather with Two Tone Leather Trim-plain	8H 7666606-J	1
49	9H76	L.H.-Green Leather with Two Tone Leather Trim-plain	8H 7666607-J	1
49	9H76	R.H.-Green Leather-pleated	8H 7666606-Q	1
49	9H76	L.H.-Green Leather-pleated	8H 7666607-Q	1
49	9H76	R.H.-Green Leather with Two Tone Leather Trim-pleated	8H 7666606-X	1
49	9H76	L.H.-Green Leather with Two Tone Leather Trim-pleated	8H 7666607-X	1
49	9H76	R.H.-Upper Green Leather, Lower M-19146-L Green Whipcord	8H 7666606-DA	1
49	9H76	L.H.-Upper Green Leather, Lower M-19146-L Green Whipcord	8H 7666607-DA	1
49	9H76	R.H.-Lime Green Leather-plain	8H 7666606-F	1
49	9H76	L.H.-Lime Green Leather-plain	8H 7666607-F	1
49	9H76	R.H.-Lime Green Leather with Two Tone Leather Trim-plain	8H 7666606-M	1
49	9H76	L.H.-Lime Green Leather with Two Tone Leather Trim-plain	8H 7666607-M	1
49	9H76	R.H.-Lime Green Leather-pleated	8H 7666606-U	1
49	9H76	L.H.-Lime Green Leather-pleated	8H 7666607-U	1
49	9H76	R.H.-Lime Green Leather with Two Tone Leather Trim-pleated	8H 7666606-AA	1
49	9H76	L.H.-Lime Green Leather with Two Tone Leather Trim-pleated	8H 7666607-AA	1
49	9H76	R.H.-Upper Lime Green Leather, Lower M-19146-N Yellow Beige Whipcord	8H 7666606-GA	1
49	9H76	L.H.-Upper Lime Green Leather, Lower M-19146-N Yellow Beige Whipcord	8H 7666607-GA	1
49	9H76	R.H.-Red Leather-plain	8H 7666606-A	1
49	9H76	L.H.-Red Leather-plain	8H 7666607-A	1
49	9H76	R.H.-Red Leather with Two Tone Leather Trim-plain	8H 7666606-G	1
49	9H76	L.H.-Red Leather with Two Tone Leather Trim-plain	8H 7666607-G	1
49	9H76	R.H.-Red Leather-pleated	8H 7666606-N	1
49	9H76	L.H.-Red Leather-pleated	8H 7666607-N	1
49	9H76	R.H.-Red Leather with Two Tone Leather Trim-pleated	8H 7666606-V	1
49	9H76	L.H.-Red Leather with Two Tone Leather Trim-pleated	8H 7666607-V	1

△ Used on cars having front seat with metal stationary foot rest welded to seat frame.

Lincoln and Lincoln Cosmopolitan

BODY PARTS CATALOGUE

YEAR 19	BODY TYPES	REMARKS	PART NUMBER	NO. REQ'D
Group 66606-7 COVER ASSEMBLY (REAR SEAT BACK CUSHION)-CONTINUED				
49	9H76	R.H.-Upper Red Leather, Lower M-19146-K Beige Whipcord	8H 7666606-BA	1
49	9H76	L.H.-Upper Red Leather, Lower M-19146-K Beige Whipcord	8H 7666607-BA	1
49	9H76	R.H.-Tan Leather-plain	8H 7666606-B	1
49	9H76	L.H.-Tan Leather-plain	8H 7666607-B	1
49	9H76	R.H.-Tan Leather with Two Tone Leather Trim-plain	8H 7666606-H	1
49	9H76	L.H.-Tan Leather with Two Tone Leather Trim-plain	8H 7666607-H	1
49	9H76	R.H.-Tan Leather-pleated	8H 7666606-P	1
49	9H76	L.H.-Tan Leather-pleated	8H 7666607-P	1
49	9H76	R.H.-Tan Leather with Two Tone Leather Trim-pleated	8H 7666606-W	1
49	9H76	L.H.-Tan Leather with Two Tone Leather Trim-pleated	8H 7666607-W	1
49	9H76	R.H.-Upper Tan Leather, Lower M-19146-K Beige Whipcord	8H 7666606-CA	1
49	9H76	L.H.-Upper Tan Leather, Lower M-19146-K Beige Whipcord	8H 7666607-CA	1
49	9H76	R.H.-Yellow Leather-plain	8H 7666606-E	1
49	9H76	L.H.-Yellow Leather-plain	8H 7666607-E	1
49	9H76	R.H.-Yellow Leather with Two Tone Leather Trim-plain	8H 7666606-L	1
49	9H76	L.H.-Yellow Leather with Two Tone Leather Trim-plain	8H 7666607-L	1
49	9H76	R.H.-Yellow Leather-pleated	8H 7666606-T	1
49	9H76	L.H.-Yellow Leather-pleated	8H 7666607-T	1
49	9H76	R.H.-Yellow Leather with Two Tone Leather Trim-pleated	8H 7666606-Z	1
49	9H76	L.H.-Yellow Leather with Two Tone Leather Trim-pleated	8H 7666607-Z	1
49	9H76	R.H.-Upper Yellow Leather, Lower M-19146-N Yellow Beige Whipcord	8H 7666606-FA	1
49	9H76	L.H.-Upper Yellow Leather, Lower M-19146-N Yellow Beige Whipcord	8H 7666607-FA	1
49	9L, 9H except 76	Clip	358338-S	as req'd
49	9L, 9H	Screw (Phillips head sheet metal)-No. 6 x .75"	52358-S23	8or10
49	9L76, 9H76	Washer (finishing)-No. 6	34861-S23	6or10
Group 66742 SPACER (CENTER ARM REST STRAINER TO REAR SEAT FRAME SUPPORT)				
49	9L76	1/2" O.D. x 15/32" wide	△8L 7666742-A	2
49	9L76	1/2" O.D. x 1/4" wide	●8L 7666742-B	2
Group 66746 HANGER (REAR SEAT BACK SPRING)				
49	9L76		8L 7666746	4
Group 66800-1 PAD ASSEMBLY (REAR SEAT BACK)-INNER				
49	9L except 76	R.H.	△8L 7266800-A	1
49	9L except 76	L.H.	△8L 7266801-A	1
49	9L except 76	R.H.	●8L 7266800-B	1
49	9L except 76	L.H.	●8L 7266801-B	1
49	9L except 76	R.H.-use with Bolster Type Cushion	8L 7266800-C	1
49	9L except 76	L.H.-use with Bolster Type Cushion	8L 7266801-C	1
49	9H72-74	R.H.	△8H 7266800-A	1
49	9H72-74	L.H.	△8H 7266801-A	1
49	9H72-74	R.H.	*8H 7266800-B	1
49	9H72-74	L.H.	*8H 7266801-B	1
49	9H72-74	R.H.-use with Pleated Type Cushion	8H 7366800-C	1
49	9H72-74	L.H.-use with Pleated Type Cushion	8H 7366801-C	1
49	9H73	R.H.	△8H 7366800-A	1
49	9H73	L.H.	△8H 7366801-A	1
49	9H73	R.H.	*8H 7366800-B	1
49	9H73	L.H.	*8H 7366801-B	1
49	9H73	R.H.-use with Pleated Type Cushion	8H 7366800-C	1
49	9H73	L.H.-use with Pleated Type Cushion	8H 7366801-C	1

△ Used on cars having front seat with metal stationary foot rest welded to seat frame.

● Used on cars having front seat without foot rest.

* Used on cars having front-seat with adjustable foot rest or stationary foot rest bolted to seat frame.

Lincoln and Lincoln Cosmopolitan

BODY PARTS CATALOGUE

YEAR 19	BODY TYPES	REMARKS	PART NUMBER	NO. REQ'D
Group 66800-1 PAD (REAR SEAT BACK)-LOWER				
49	9L76	R.H.	●8L 7666800-B	1
49	9L76	L.H.	●8L 7666801-B	1
49	9L76,9H76	R.H.	△8L 7666800-A	1
49	9L76,9H76	L.H.	△8L 7666801-A	1
49	9H76	R.H.	★8L 7666800-B	1
49	9H76	L.H.	★8L 7666801-B	1
Group 66810-1 PAD ASSEMBLY (REAR SEAT BACK)-OUTER				
49	9L72	R.H.-use with Bolster Type Cushion	8H 7266810-C	1
49	9L72	L.H.-use with Bolster Type Cushion	8H 7266811-C	1
49	9L except 76	R.H.	△8L 7266810-A	1
49	9L except 76	L.H.	△8L 7266811-A	1
49	9L except 76	R.H.	●8L 7266810-B	1
49	9L except 76	L.H.	●8L 7266811-B	1
49	9H72-74	R.H.	★8H 7266810	1
49	9H72-74	L.H.	★8H 7266811	1
49	9H73	R.H.	△8H 7366810-A	1
49	9H73	L.H.	△8H 7366811-A	1
49	9H73	R.H.	★8H 7366810-B	1
49	9H73	L.H.	★8H 7366811-B	1
Group 66810-1 PAD (REAR SEAT BACK)-UPPER				
49	9L76	R.H.	●8H 7666810-B	1
49	9L76	L.H.	●8H 7666811-B	1
49	9L76,9H76	R.H.	△8H 7666810-A	1
49	9L76,9H76	L.H.	△8H 7666811-A	1
49	9H76	R.H.	★8H 7666810-B	1
49	9H76	L.H.	★8H 7666811-B	1
Group 66816 PAD ASSEMBLY (REAR SEAT BACK COVER)-TOP				
49	9L except 76	R.H.	8L 7266816	1
49	9L except 76	L.H.*	8L 7266817	1
49	9H except 76	R.H.	8H 7266816	1
49	9H except 76	L.H.	8H 7266817	1
49	9H73	R.H.	8H 7366816-B	1
49	9H73	L.H.	8H 7366817-B	1
Group 66904-5 PANEL ASSEMBLY (REAR SEAT BACK)-REAR				
49	9L76	R.H.-Blue Artificial Leather	△8L 7666904-D	1
49	9L76	L.H.-Blue Artificial Leather	△8L 7666905-D	1
49	9L76	R.H.-Blue Artificial Leather	●8L 7666904-H	1
49	9L76	L.H.-Blue Artificial Leather	●8L 7666905-H	1
49	9L76	R.H.-Green Artificial Leather	△8L 7666904-C	1
49	9L76	L.H.-Green Artificial Leather	△8L 7666905-C	1
49	9L76	R.H.-Green Artificial Leather	●8L 7666904-G	1
49	9L76	L.H.-Green Artificial Leather	●8L 7666905-G	1
49	9L76	R.H.-Red Artificial Leather	△8L 7666904-A	1
49	9L76	L.H.-Red Artificial Leather	△8L 7666905-A	1
49	9L76	R.H.-Red Artificial Leather	●8L 7666904-E	1
49	9L76	L.H.-Red Artificial Leather	●8L 7666905-E	1
△	Used on cars having front seat with metal stationary foot rest welded to seat frame.			
●	Used on cars having front seat without foot rest.			
★	Used on cars having front seat with adjustable foot rest or stationary foot rest bolted to seat frame.			

Lincoln and Lincoln Cosmopolitan

BODY PARTS CATALOGUE

YEAR 19	BODY TYPES	REMARKS	PART NUMBER	NO. REQ'D
Group 67210-1 LINK AND VERTICAL STRAINER ASSEMBLY (CENTER ARM REST)				
49	9L except 76	R.H.-16-29/32" long	△8L 7267210-A	1
49	9L except 76	L.H.-16-29/32" long	△8L 7267211-A	1
49	9L except 76	R.H.-25-5/16" long	●8L 7267210-B	1
49	9L except 76	L.H.-25-5/16" long	●8L 7267211-B	1
49	9L76	R.H.-14-57/64" long	●8L 7667210	1
49	9L76	L.H.-14-57/64" long	●8L 7667211	1
49	9H except 76	R.H.-19-35/64" long	△6H 7367210-A	1
49	9H except 76	L.H.-19-35/64" long	△6H 7367211-A	1
49	9H72-74	R.H.-with parallel Links	*8H 7267210-A	1
49	9H72-74	L.H.-with parallel Links	*8H 7267211-A	1
49	9H72-74	R.H.-with angular Links	8H 7267210-B	1
49	9H72-74	L.H.-with angular Links	8H 7267211-B	1
49	9H73	R.H.-with parallel Links	*8H 7367210-B	1
49	9H73	L.H.-with parallel Links	*8H 7367211-B	1
49	9H73	R.H.-with angular Links	8H 7367210-C	1
49	9H73	L.H.-with angular Links	8H 7367211-C	1
49	9H76	R.H.-12-1/2" long	8H 7667210	1
49	9H76	L.H.-12-1/2" long	8H 7667211	1
49	9L76	Bolt (hex head)-Steel-1/4"-20 x 7/8"	24344-S7	2
49	9L,9H except 73	Nut (hex)-1/4"-20	33781-S7	2
49	9L,9H except 73	Screw (binding head self tapping)-No. 10 x 1/2"	33444-S2	2or4
49	9H73	Screw (binding head self tapping)-No. 10 x 1/2"	32924-S2	2
49	9L except 76,9H except 76	Screw and lockwasher assy (hex head)-1/4"-20 x 1/2"	43260-S8	2or4
49	9L76	Nut (lock)-1/4"-20	34390-S7	2
49	9L,9H	Washer (flat)-No. 10	34703-S7	2or4
49	9L76	Washer (flat)-1/4"	34705-S2	2
49	9H except 76	Washer (flat)-1/4"	34705-S2	2or4
49	9L,9H	Washer (flat)-5/16"	34706-S2	4
49	9L76	Washer (flat)-5/16"-1-1/8" x 1/8"	356301-S7	2
Group 67212 STRAINER AND REINFORCEMENT ASSEMBLY (REAR SEAT ARM REST)-CENTER				
49	9L72-74		8L 7267212	1
49	9H72-74		8H 7267212	1
49	9H73		8H 7367212	1
Group 67228 STOP (CENTER ARM REST)				
49	9H73		*8H 7367228	1
Group 67240 ARM REST ASSEMBLY (REAR SEAT CENTER)-TRIMMED				
49	9L except 76	Upper M-19101-U Blue Green Birdseye Broadcloth, Lower M-19101-Q Gray Broadcloth	△8L 7067240-A	1
49	9L except 76	Upper M-19101-U Blue Green Birdseye Broadcloth, Lower M-19101-Q Gray Broadcloth	●8L 7267240-A	1
49	9L except 76	M-19141-P Dark Gray Bedford Cord Broadcloth	●8L 7267240-E	1
49	9L except 76	M-19141-N Gray Bedford Cord Broadcloth	△8L 7067240-C	1
49	9L except 76	M-19141-N Gray Bedford Cord Broadcloth	●8L 7267240-C	1
49	9L except 76	Upper M-19101-P Tan and Yellow Check Broadcloth, Lower M-19101-S Brown Taupe Broadcloth	△8L 7067240-B	1
49	9L except 76	Upper M-19101-W Tan and Yellow Broken Stripe Broadcloth, Lower M-19101-S Brown Taupe Broadcloth	●8L 7267240-B	1

△ Used on cars having front seat with metal stationary foot rest welded to seat frame.

● Used on cars having front seat without foot rest.

* Used on cars having front seat with adjustable foot rest or stationary foot rest bolted to seat frame.

Lincoln and Lincoln Cosmopolitan

BODY PARTS CATALOGUE

YEAR 19	BODY TYPES	REMARKS	PART NUMBER	NO. REQ'D
Group 67240 ARM REST ASSEMBLY (REAR SEAT CENTER)-TRIMMED-CONTINUED				
49	9L except 76	Upper M-19101-W Tan and Yellow Broken Stripe Broadcloth, Lower M-19101-S Brown Taupe Broadcloth	△8L 7067240-E	1
49	9L except 76	Upper M-19105-B Light Green Plain Broadcloth, Lower M-19105-G Green Shadow Stripe Broadcloth	8L 7267240-F	1
49	9L except 76	Upper M-19105-D Light Tan Plain Broadcloth, Lower M-19105-H Tan Shadow Stripe Broadcloth	8L 7267240-G	1
49	9L except 76	Upper M-19105-K Light Gray Plain Broadcloth, Lower M-19105-J Gray Shadow Stripe Broadcloth	8L 7267240-H	1
49	9L76	Upper Blue Leather, Lower M-5085-S Blue Bedford Cord	△8L 7667240-D	1
49	9L76	Upper Blue Leather, Lower M-5085-S Blue Bedford Cord	●8L 7667240-H	1
49	9L76	Upper Green Leather, Lower M-5085-Q Green Bedford Cord	△8L 7667240-C	1
49	9L76	Upper Green Leather, Lower M-5085-Q Green Bedford Cord	●8L 7667240-G	1
49	9L76	Upper Red Leather, Lower M-5085-P Tan Bedford Cord	△8L 7667240-A	1
49	9L76	Upper Red Leather, Lower M-5085-P Tan Bedford Cord	●8L 7667240-E	1
49	9L76	Upper Tan Leather, Lower M-5085-P Tan Bedford Cord	△8L 7667240-B	1
49	9L76	Upper Tan Leather, Lower M-5085-P Tan Bedford Cord	●8L 7667240-F	1
49	9H72-74	Upper M-19104-F Blue Gray Broadcloth, Lower M-19104-D Blue Stripe Broadcloth	△8H 7267240-D	1
49	9H72-74	Upper M-19104-F Blue Gray Broadcloth, Lower M-19104-D Blue Stripe Broadcloth	*8H 7267240-J	1
49	9H72-74	Upper M-19101-V Blue Gray Broadcloth, Lower M-19101-L Blue Gray Broadcloth	△8H 7267240-A	1
49	9H72-74	Upper M-19101-V Blue Gray Broadcloth, Lower M-19101-L Blue Gray Broadcloth	*8H 7267240-F	1
49	9H72-74	Upper M-19105-L Gray Shadow Stripe Broadcloth, Lower M-19105-K Light Gray Plain Broadcloth	8H 7267240-N	1
49	9H72-74	Upper M-19104-E Green Broadcloth, Lower M-19104-C Green Gray Broadcloth	△8H 7267240-C	1
49	9H72-74	Upper M-19104-E Green Broadcloth, Lower M-19104-C Green Gray Broadcloth	*8H 7267240-H	1
49	9H72-74	Upper M-19105-A Green Shadow Stripe Broadcloth, Lower M-19105-B Light Green Plain Broadcloth	8H 7267240-L	1
49	9H72-74	Upper M-19101-N Tan Broadcloth, Lower M-19101-T Brown Stripe Broadcloth	△8H 7267240-B	1
49	9H72-74	Upper M-19101-N Tan Broadcloth, Lower M-19101-T Brown Stripe Broadcloth	*8H 7267240-G	1
49	9H72-74	Upper M-19105-C Tan Shadow Stripe Broadcloth, Lower M-19105-D Light Tan Plain Broadcloth	8H 7267240-M	1
49	9H73	M-19104-D Blue Stripe Broadcloth	△8H 7367240-D	1
49	9H73	Upper M-19104-F Blue Gray Broadcloth, Lower M-19104-D Blue Stripe Broadcloth	*8H 7367240-J	1
49	9H73	M-19101-L Blue Gray Broadcloth	△8H 7367240-A	1
49	9H73	Upper M-19101-V Blue Gray Broadcloth, Lower M-19101-L Blue Gray Broadcloth	*8H 7367240-F	1
49	9H73	M-19101-T Brown Stripe Broadcloth	△8H 7367240-B	1
49	9H73	M-19104-C Green Gray Broadcloth	△8H 7367240-C	1
49	9H73	Upper M-19105-L Gray Shadow Stripe Broadcloth, Lower M-19105-K Light Gray Plain Broadcloth	8H 7367240-N	1
49	9H73	Upper M-19104-E Green Broadcloth, Lower M-19104-C Green Gray Broadcloth	*8H 7367240-H	1
49	9H73	Upper M-19105-A Green Shadow Stripe Broadcloth, M-19105-B Light Green Plain Broadcloth	8H 7367240-L	1

△ Used on cars having front seat with metal stationary foot rest welded to seat frame.

● Used on cars having front seat without foot rest.

* Used on cars having front seat with adjustable foot rest or stationary foot rest bolted to seat frame.

Lincoln and Lincoln Cosmopolitan

BODY PARTS CATALOGUE

YEAR 19	BODY TYPES	REMARKS	PART NUMBER	NO. REQ'D
Group 67240 ARM REST ASSEMBLY (REAR SEAT CENTER)-TRIMMED-CONTINUED				
49	9H73	Upper M-19101-N Tan Broadcloth, Lower M-19101-T Brown Stripe Broadcloth	*8H 7367240-G	1
49	9H73	Upper M-19105-C Tan Shadow Stripe Broadcloth, Lower M-19105-D Light Tan Plain Broadcloth	8H 7367240-M	1
49	9H76	Blue Leather-plain	8H 7667240-D	1
49	9H76	Blue Leather with Two Tone Leather Trim-plain	8H 7667240-K	1
49	9H76	Blue Leather-pleated	8H 7667240-S	1
49	9H76	Blue Leather with Two Tone Leather Trim-pleated	8H 7667240-Y	1
49	9H76	Upper Blue Leather, Lower M-19146-M Blue Whipcord	8H 7667240-EA	1
49	9H76	Green Leather-plain	8H 7667240-C	1
49	9H76	Green Leather with Two Tone Leather Trim-plain	8H 7667240-J	1
49	9H76	Green Leather-pleated	8H 7667240-Q	1
49	9H76	Green Leather with Two Tone Leather Trim-pleated	8H 7667240-X	1
49	9H76	Upper Green Leather, Lower M-19146-L Green Whipcord	8H 7667240-DA	1
49	9H76	Lime Green Leather-plain	8H 7667240-F	1
49	9H76	Lime Green Leather with Two Tone Leather Trim-plain	8H 7667240-M	1
49	9H76	Lime Green Leather-pleated	8H 7667240-U	1
49	9H76	Lime Green Leather with Two Tone Leather Trim-pleated	8H 7667240-AA	1
49	9H76	Upper Lime Green Leather, Lower M-19146-N Yellow Beige Whipcord	8H 7667240-GA	1
49	9H76	Red Leather-plain	8H 7667240-A	1
49	9H76	Red Leather with Two Tone Leather Trim-plain	8H 7667240-G	1
49	9H76	Red Leather-pleated	8H 7667240-N	1
49	9H76	Red Leather with Two Tone Leather Trim-pleated	8H 7667240-V	1
49	9H76	Upper Red Leather, Lower M-19146-K Beige Whipcord	8H 7667240-BA	1
49	9H76	Tan Leather-plain	8H 7667240-B	1
49	9H76	Tan Leather with Two Tone Leather Trim-plain	8H 7667240-H	1
49	9H76	Tan Leather-pleated	8H 7667240-P	1
49	9H76	Tan Leather with Two Tone Leather Trim-pleated	8H 7667240-W	1
49	9H76	Upper Tan Leather, Lower M-19146-K Beige Whipcord	8H 7667240-CA	1
49	9H76	Yellow Leather-plain	8H 7667240-E	1
49	9H76	Yellow Leather with Two Tone Leather Trim-plain	8H 7667240-L	1
49	9H76	Yellow Leather-pleated	8H 7667240-T	1
49	9H76	Yellow Leather with Two Tone Leather Trim-pleated	8H 7667240-Z	1
49	9H76	Upper Yellow Leather, Lower M-19146-N Yellow Beige Whipcord	8H 7667240-FA	1
49	9L76	Bolt (hex head)-1/4"-20 x 1/2"	20308-S2	2
49	9L,9H except 76	Bolt (hex head)-1/4"-20 x 1/2"	20346-S2	4
49	9L,9H73-74	Clip	358338-S	12
49	9L76	Nut (lock)-1/4"-20	34390-S7	2
49	9H76	Screw (binding head self tapping)-No. 10 x 1/2"	33444-S2	2
49	9L76	Washer (flat)-1/4"	34705-S2	4

Group 67244 COVER ASSEMBLY (REAR SEAT CENTER ARM REST)

49	9L except 76	Upper M-19101-U Blue Green Birdseye Broadcloth, Lower M-19101-Q Gray Broadcloth	△8L 7067244-A	1
49	9L except 76	Upper M-19101-U Blue Green Birdseye Broadcloth, Lower M-19101-Q Gray Broadcloth	●8L 7267244-A	1
49	9L except 76	Upper M-19141-N Gray Bedford Cord, Lower M-19141-N Gray Bedford Cord	△8L 7067244-C	1
49	9L except 76	Upper M-19141-N Gray Bedford Cord, Lower M-19141-N Gray Bedford Cord	●8L 7267244-C	1

△ Used on cars having front seat with metal stationary foot rest welded to seat frame.

● Used on cars having front seat without foot rest.

* Used on cars having front seat with adjustable foot rest or stationary foot rest bolted to seat frame.

Lincoln and Lincoln Cosmopolitan

BODY PARTS CATALOGUE

YEAR 19__	BODY TYPES	REMARKS	PART NUMBER	NO. REQ'D
Group 67244 COVER ASSEMBLY (REAR SEAT ARM REST)-CONTINUED				
49	9L except 76	Upper M-19141-P Dark Gray Bedford Cord, Lower M-19141-P Dark Gray Bedford Cord	●8L 7267244-E	1
49	9L except 76	Upper M-19105-K Light Gray Plain Broadcloth, Lower M-19105-J Gray Shadow Stripe Broadcloth	8L 7267244-H	1
49	9L except 76	Upper M-19105-B Light Green Plain Broadcloth, Lower M-19105-G Green Shadow Stripe Broadcloth	8L 7267244-F	1
49	9L except 76	Upper M-19101-W Tan and Yellow Broken Stripe Broadcloth, Lower M-19101-S Brown Taupe Broadcloth	△8L 7067244-E	1
49	9L except 76	Upper M-19101-W Tan and Yellow Broken Stripe Broadcloth, Lower M-19101-S Brown Taupe Broadcloth	●8L 7267244-B	1
49	9L except 76	Upper M-19101-P Tan and Yellow Check Broadcloth, Lower M-19101-S Brown Taupe Broadcloth	△8L 7067244-B	1
49	9L except 76	Upper M-19105-D Light Tan Plain Broadcloth, Lower M-19105-H Tan Shadow Stripe Broadcloth	8L 7267244-G	1
49	9L76	Upper Blue Leather, Lower M-5085-S Blue Bedford Cord	△8L 7667244-D	1
49	9L76	Upper Blue Leather, Lower M-5085-S Blue Bedford Cord	●8L 7667244-H	1
49	9L76	Upper Green Leather, Lower M-5085-Q Green Bedford Cord	△8L 7667244-C	1
49	9L76	Upper Green Leather, Lower M-5085-Q Green Bedford Cord	●8L 7667244-G	1
49	9L76	Upper Red Leather, Lower M-5085-P Tan Bedford Cord	△8L 7667244-A	1
49	9L76	Upper Red Leather, Lower M-5085-P Tan Bedford Cord	●8L 7667244-E	1
49	9L76	Upper Tan Leather, Lower M-5085-P Tan Bedford Cord	△8L 7667244-B	1
49	9L76	Upper Tan Leather, Lower M-5085-P Tan Bedford Cord	●8L 7667244-F	1
49	9H except 76	Upper M-19101-V Blue Gray Broadcloth, Lower M-19101-L Blue Gray Broadcloth	★8H 7367244-F	1
49	9H except 76	Upper M-19104-F Blue Gray Broadcloth, Lower M-19104-D Blue Stripe Broadcloth	★8H 7367244-J	1
49	9H except 76	Upper M-19104-E Green Broadcloth, Lower M-19104-C Green Gray Broadcloth	★8H 7367244-H	1
49	9H except 76	Upper M-19101-N Tan Broadcloth, Lower M-19101-T Brown Stripe Broadcloth	★8H 7367244-G	1
49	9H72-74	Upper M-19101-V Blue Gray Broadcloth, Lower M-19101-L Blue Gray Broadcloth	8H 7267244-A	1
49	9H72-74	Upper M-19104-F Blue Gray Broadcloth, Lower M-19104-D Blue Stripe Broadcloth	△8H 7267244-D	1
49	9H72-74	Upper M-19105-L Gray Shadow Stripe Broadcloth, Lower M-19105-V Light Gray Plain Broadcloth	8H 7267244-H	1
49	9H72-74	Upper M-19104-E Green Broadcloth, Lower M-19104-C Green Gray Broadcloth	△8H 7267244-C	1
49	9H72-74	Upper M-19105-A Green Shadow Stripe Broadcloth, Lower M-19105-B Light Green Plain Broadcloth	8H 7267244-F	1
49	9H72-74	Upper M-19101-N Tan Broadcloth, Lower M-19101-T Brown Stripe Broadcloth	△8H 7267244-B	1
49	9H72-74	Upper M-19105-C Tan Shadow Stripe Broadcloth, Lower M-19105-D Light Tan Plain Broadcloth	8H 7267244-G	1
49	9H73	Upper M-19105-L Gray Shadow Stripe Broadcloth, Lower M-19105-K Light Gray Plain Broadcloth	8H 7367244-N	1
49	9H73	Upper M-19105-A Green Shadow Stripe Broadcloth, Lower M-19105-B Light Green Plain Broadcloth	8H 7367244-L	1
49	9H73	Upper M-19105-C Tan Shadow Stripe Broadcloth, Lower M-19105-D Light Tan Plain Broadcloth	8H 7367244-M	1
49	9H73	M-19101-L Blue Gray Broadcloth	△8H 7367244-A	1
49	9H73	M-19104-D Blue Stripe Broadcloth	△8H 7367244-D	1
49	9H73	M-19101-T Brown Stripe Broadcloth	△8H 7367244-B	1
49	9H73	M-19104-C Green Gray Broadcloth	△8H 7367244-C	1

△ Used on cars having front seat with metal stationary foot rest welded to seat frame.

● Used on cars having front seat without foot rest.

★ Used on cars having front seat with adjustable foot rest or stationary foot rest bolted to seat frame.

Lincoln and Lincoln Cosmopolitan

BODY PARTS CATALOGUE

YEAR 19	BODY TYPES	REMARKS	PART NUMBER	NO. REQ'D
Group 67286 FLAP ASSEMBLY (REAR SEAT CENTER ARM REST)				
49	9L except 76	M-19101-U Blue Green Birdseye Broadcloth	8L 7367286-A	1
49	9L except 76	M-19141-N Gray Bedford Cord	8L 7367286-C	1
49	9L except 76	M-19141-P Dark Gray Bedford Cord	8L 7367286-F	1
49	9L except 76	M-19105-K Light Gray Plain Broadcloth	8L 7267286-D	1
49	9L except 76	M-19105-B Light Green Plain Broadcloth	8L 7267286-B	1
49	9L except 76	M-19101-W Tan and Yellow Broken Stripe Broadcloth	8L 7367286-E	1
49	9L except 76	M-19101-P Tan and Yellow Check Broadcloth	8L 7367286-B	1
49	9L except 76	M-19105-D Light Tan Plain Broadcloth	8L 7267286-C	1
49	9L76	Blue Artificial Leather	△8L 7667286-D	1
49	9L76	Blue Artificial Leather	●8L 7667286-H	1
49	9L76	Green Artificial Leather	△8L 7667286-C	1
49	9L76	Green Artificial Leather	●8L 7667286-G	1
49	9L76	Red Artificial Leather	△8L 7667286-A	1
49	9L76	Red Artificial Leather	●8L 7667286-E	1
49	9L76	Tan Artificial Leather	△8L 7667286-B	1
49	9L76	Tan Artificial Leather	●8L 7667286-F	1
49	9H72-74	M-19101-V Blue Gray Broadcloth	△8H 7267286-A	1
49	9H72-74	M-19101-V Blue Gray Broadcloth	★8H 7267286-B	1
49	9H72-74	M-19104-F Blue Gray Broadcloth	△8H 7267286-D	1
49	9H72-74	M-19104-F Blue Gray Broadcloth	★8H 7267286-J	1
49	9H72-74	M-19105-L Gray Shadow Stripe Broadcloth	8H 7267286-N	1
49	9H72-74	M-19104-E Green Broadcloth	△8H 7267286-C	1
49	9H72-74	M-19104-E Green Broadcloth	★8H 7267286-H	1
49	9H72-74	M-19105-A Green Shadow Stripe Broadcloth	8H 7267286-L	1
49	9H72-74	M-19101-N Tan Broadcloth	△8H 7267286-B	1
49	9H72-74	M-19101-N Tan Broadcloth	★8H 7267286-G	1
49	9H72-74	M-19105-C Tan Shadow Stripe Broadcloth	8H 7267286-M	1
49	9H73	M-19101-L Blue Gray Broadcloth	△8H 7367286-A	1
49	9H73	M-19104-D Blue Stripe Broadcloth	△8H 7367286-D	1
49	9H73	M-19101-V Blue Gray Broadcloth	★8H 7367286-F	1
49	9H73	M-19104-F Blue Gray Broadcloth	★8H 7367286-J	1
49	9H73	M-19101-J Brown Stripe Broadcloth	△8H 7367286-B	1
49	9H73	M-19105-L Gray Shadow Stripe Broadcloth	8H 7367286-N	1
49	9H73	M-19104-C Green Gray Broadcloth	△8H 7367286-C	1
49	9H73	M-19104-E Green Broadcloth	★8H 7367286-H	1
49	9H73	M-19105-A Green Shadow Stripe Broadcloth	8H 7367286-L	1
49	9H73	M-19101-N Tan Broadcloth	★8H 7367286-G	1
49	9H73	M-19105-C Tan Shadow Stripe Broadcloth	8H 7367286-M	1
49	9H76	Blue Artificial Leather	8H 7667286-D	1
49	9H76	Green Artificial Leather	8H 7667286-C	1
49	9H76	Lime Green Artificial Leather	8H 7667286-F	1
49	9H76	Red Artificial Leather	8H 7667286-A	1
49	9H76	Tan Artificial Leather	8H 7667286-B	1
49	9H76	Yellow Artificial Leather	8H 7667286-E	1
49	9H76	use with Two Tone Leather Trim	8H 7667286-G	1
49	9H except 76	Screw (hex head)-No. 10 x 3/4"-flap to package tray	42021-S7	2

△ Used on cars having front seat with metal stationary foot rest welded to seat frame.

● Used on cars having front seat without foot rest.

★ Used on cars having front seat with adjustable foot rest or stationary foot rest bolted to seat frame.

