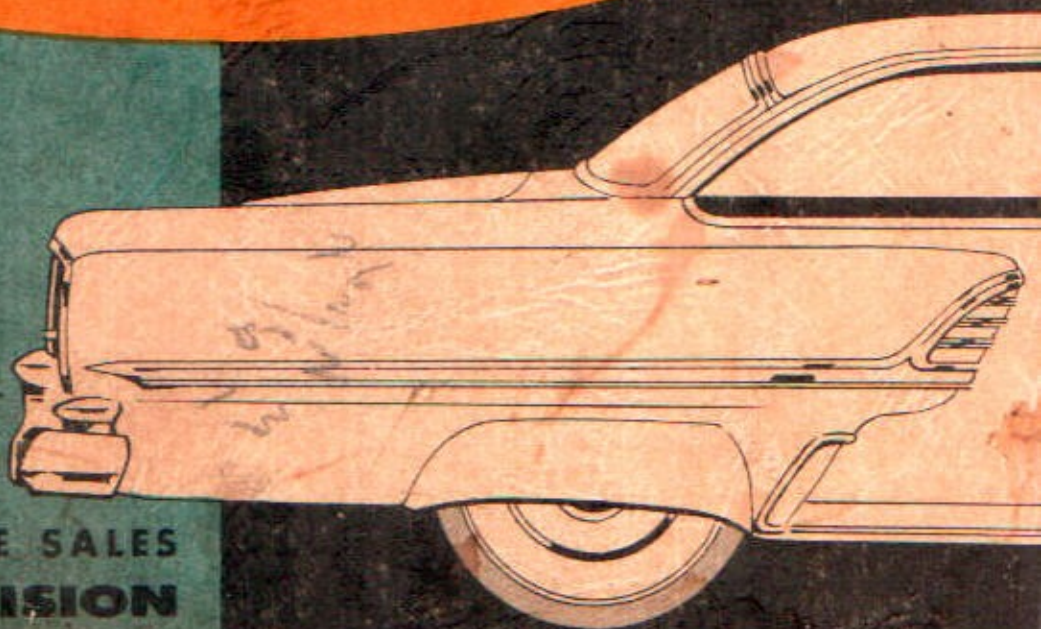


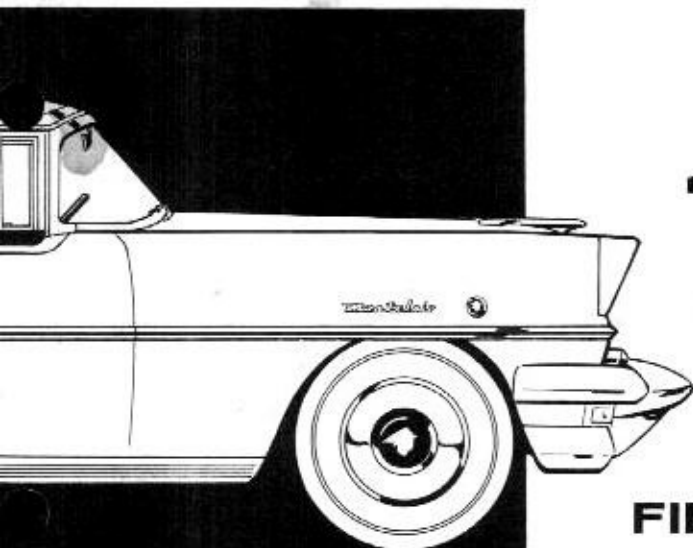
1955

FINAL EDITION

MERCURY BODY PARTS CATALOGUE



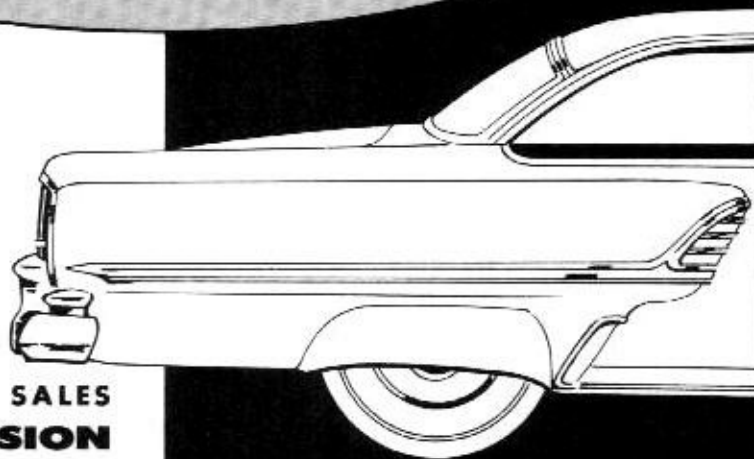
PARTS AND SERVICE SALES
MERCURY DIVISION
Ford Motor Company
DEC. 1955



1955

FINAL EDITION

MERCURY BODY PARTS CATALOGUE



PARTS AND SERVICE SALES
MERCURY DIVISION
Ford Motor Company
DEC. 1955

DECEMBER, 1955

COPYRIGHT 1955
FORD MOTOR COMPANY
DEARBORN, MICHIGAN
ALL RIGHTS RESERVED

FINAL EDITION
FORM-3741-55

LITHO IN U. S. A.

QUICK REFERENCE INDEX

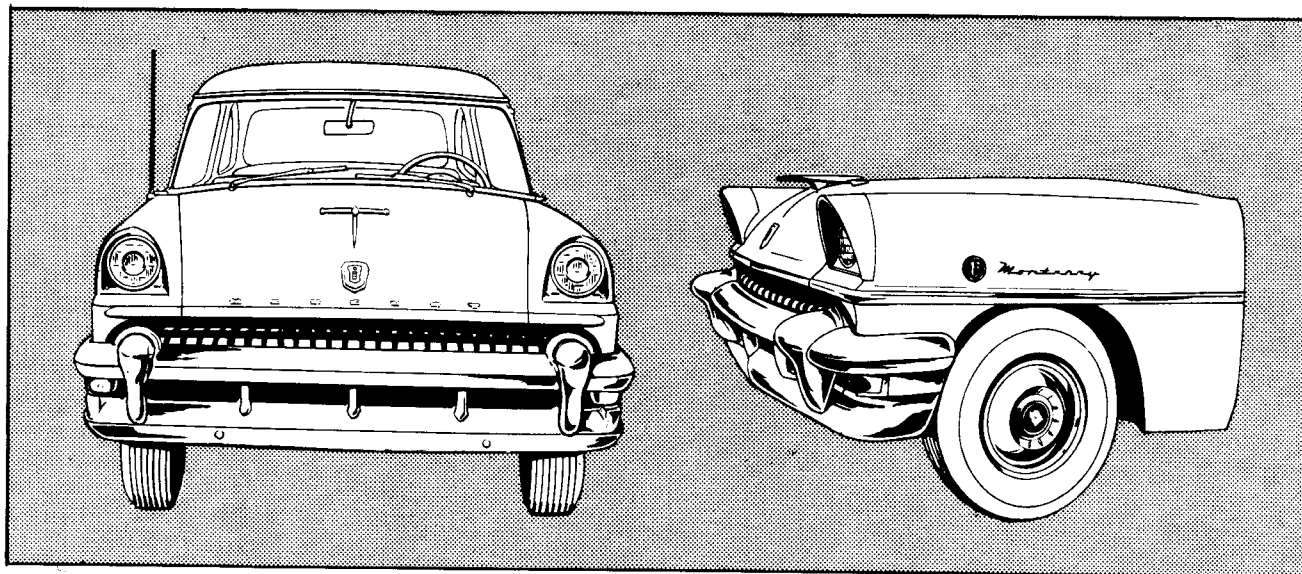
Group	Group Name	Page
	Alphabetical Index	IX
	Body Illustrations	XXII
01610	Panel Assy Dash	2
03100	Windshield	7
20124-5	Front Door	21
21414-5	Front Door Vent Window	31
23206-7	Door Window Regulators	42
24630-1	Rear Door	47
27840-1	Rear Quarter Body Panel	60
40110	Luggage Compartment Door	81
50200	Top and Roof	101
60000	Seat	121
	Soft Trim Section	146

MODEL IDENTIFICATION

Mercury

BV SERIES—119" W. B.

1955



**BODY
TYPE**

NAME

PMB- 44

58A	Montclair Four Door Sedan
60B	Six Passenger Monterey Coupe
60E	Six Passenger Sport Coupe
64A	Six Passenger Montclair Coupe
64B	Six Passenger Montclair Sun Valley Coupe
70B	Two Door Sedan
73B	Four Door Sedan
73C	Monterey Four Door Sedan
76B	Six Passenger Monterey Convertible
79B	Eight Passenger Station Wagon
79C	Eight Passenger Monterey Station Wagon

FOREWORD

This group type BODY PARTS CATALOGUE has been prepared in appreciation of the difficulty experienced occasionally in the ordering of Body Parts.

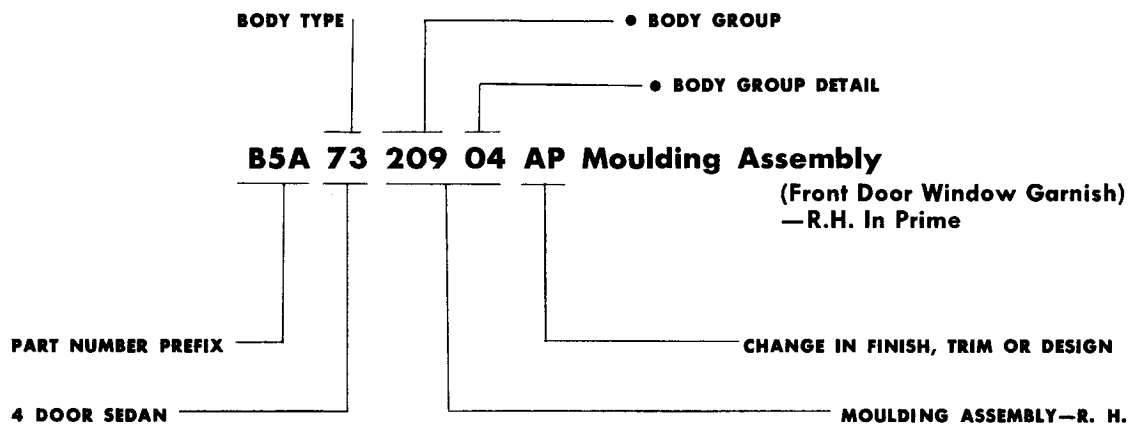
Every effort has been made to insure ease in selecting and ordering the correct parts you need.

We will welcome any suggestions for improvement of future publications of this Catalogue.

MERCURY DIVISION

GENERAL INFORMATION

FOLLOWING IS A DIAGRAM OF THE BODY PARTS NUMBERING SYSTEM



● These five characters (The combined numbers of the *BODY GROUP* and *BODY DETAIL GROUP*) comprise the Body Group Numbers as used throughout this Body Parts Catalogue except for Chassis Parts and Body Parts engineered prior to the adoption of this BODY PARTS NUMBERING SYSTEM.

The index is compiled in eighteen (18) major group assemblies, which are listed in alphabetical sequence starting with "Deck (Rear) and Luggage Compartment" and terminating with "Windshield."

DECK (REAR) AND LUGGAGE COMPARTMENT DOORS (FRONT) DOORS (REAR) ELECTRICAL FLOOR FRONT PACKAGE TRAY PILLARS (CENTER BODY) QUARTER (REAR)		ROOF SEAT (AUXILIARY)—STATION WAGON SEAT (FRONT) SEAT (REAR) TAIL GATE—STATION WAGON TOP—CONVERTIBLE VENTILATING SYSTEM (FRESH AIR) WINDOW (BACK) WINDSHIELD
--	--	--

Each of these major group assemblies is compiled in alphabetical sequence and lists all the parts pertaining to that group with cross reference to group number in which the part is listed.

The first three characters of the Body Group Numbers are as follows:

000-009 FRONT END GROUP	400-499 BACK GROUP
100-199 FLOOR GROUP	500-599 TOP AND ROOF GROUP
200-399 SIDE ASSEMBLY GROUP	600-699 SEAT GROUP

The fourth and fifth characters of the Body Group Numbers are The Body Group Detail Numbers.

Standard parts such as Bolts, Screws, Clamps, etc., are listed below the part with which they are used.

Illustrations throughout this Catalogue are for a particular Body Type although Group Numbers and Descriptions are applicable to practically all Body Types.

With the exception of Standard parts such as bolts, nuts, etc., Group Numbers only appear on exploded illustrations.

Do not order parts by the GROUP NUMBER or GROUP HEADINGS as shown on illustrations; always consult the list of Parts for complete PART NUMBER.

The driver's position governs such parts as doors, seats, etc., as to whether an item is Right Hand or Left Hand.

An Illustration Index has been incorporated directly behind the Group Alphabetical Index to help locate needed parts by means of visual aid.

Always give complete PART NUMBER and NAME of each part ordered.

When Part Number of part required cannot be located in Catalogue, a complete description including dimensions, should be given along with the information shown on the Patent Plate.

A Sample of trim material should be submitted on all orders for trim parts.

Specify whether shipments are to be made by Freight, Express or Parcel Post.

ABBREVIATIONS

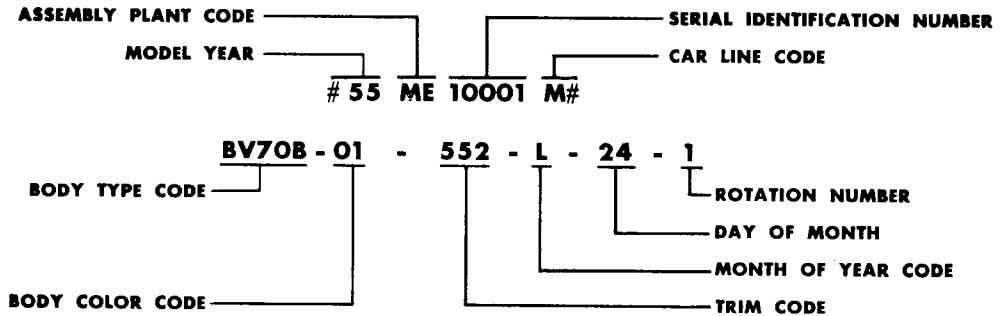
art	artificial	L/W	lockwasher
approx.	approximately	mldg.	moulding
assy	assembly	mount. or (mtg.)	mounting
brkt.	bracket	O.D.	outer diameter
b-hd	button head	o/all	overall
compt.	compartment	reinf.	reinforcement
c/pin.	cotter pin	reg.	regulator
cyl.	cylinder	rep.	replaced
defl.	deflector	req'd	required
def.	defroster	ret.	retainer
dia.	diameter	R.H.	Right Hand
equipt.	equipment	rd-hd	round head
fl-hd	flat head	spec.	special
ft.	foot or feet	spec-hd	special head
H/D	heavy-duty	sq-hd	square head
hex	hexagonal	std.	standard
hex-hd	hexagonal head	tap.	tapping
hsg.	housing	trans.	transmission
hyd.	hydraulic	vac.	vacuum
I.D.	inner diameter	vent.	ventilator
instr.	instrument	W/S	windshield
L.H.	Left Hand	w/	with
		w/o		without

PATENT PLATE

The Patent Plate for 1955 has been designed to include the Body Style and Body Specifications in addition to the car serial number. The Patent Plate will be installed on the left front body pillar just below the upper hinge opening.

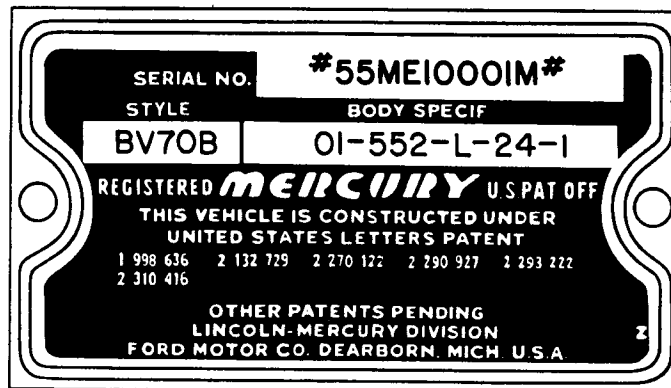
The following diagram of the Patent Plate specifies the Model Year, Plant which assembled the car, Serial Identification Number, Car Name, Body Type, Body Outside Paint Color, Trim Scheme, Day of Month car was assembled, Month car was assembled and its numerical sequence of assembly.

PATENT PLATE DIAGRAM



ASSEMBLY PLANT IDENTIFICATION CODES

WA—Wayne Plant
LA—Los Angeles
ME—Metuchen
SL—St. Louis



Serial Number (#55 ME 10001 M#)

"55"—1955 Model

"ME"—Assembled at Metuchen Plant

"1001"—Serial Identification Number

"M"—Mercury

Style and Body Specifications: (BV70B 01-552-L-24-1)

BV70B—Two Door Sedan

01—Tuxedo Black

552—Green Chevron Nylon

L—Month of Year—November

24—24th Day of Month

1—1st Car Assembled

The symbols in front of and after the complete serial number are inserted as Assurance that no other digits or letters can be added to the serial number.

BREAKDOWN OF CODES USED IN MERCURY PATENT PLATE NUMBERS

ASSEMBLY PLANT CODES

CODE	ASSEMBLY PLANT
WA	Wayne
LA	Los Angeles
ME	Metuchen
SL	St. Louis

BODY TYPE CODES

CODE	BODY TYPE
58A	Montclair Four Door Sedan
60B	Six Passenger Monterey Coupe
60E	Six Passenger Sport Coupe
64A	Six Passenger Montclair Coupe
64B	Six Passenger Montclair Sun Valley Coupe
70B	Two Door Sedan
73B	Four Door Sedan
73C	Monterey Four Door Sedan
76B	Six Passenger Monterey Convertible
79B	Eight Passenger Station Wagon
79C	Eight Passenger Monterey Station Wagon

MONTH OF YEAR CODE

CODE	MONTH	CODE	MONTH
A	January	G	July
B	February	H	August
C	March	J	September
D	April	K	October
E	May	L	November
F	June	M	December

CONVERTIBLE TOP COLOR CODES

CODE	BODY TYPE
101	Black—Black Binding
103	Green—Green Binding
104	Blue—Blue Binding
105	White—White Binding

TRIM SCHEME CODES

CODE	TRIM
451A	Light Gray Ladder Stripe
453A	Light Green Ladder Stripe
453B	Light Green Ladder Stripe
454A	Light Blue Ladder Stripe
454B	Light Blue Ladder Stripe
552	Green Chevron Nylon
552A	Green Chevron Nylon
552B	Green Chevron Nylon
553	Blue Chevron Nylon
553A	Blue Chevron Nylon
553B	Blue Chevron Nylon

CODE	TRIM
554	White Vinyl and Blue Designer Weave Nylon
555	White Vinyl and Green Designer Weave Nylon
556	White Vinyl and Red Designer Weave Nylon
556A	White Vinyl and Red Designer Weave Nylon
557	White Vinyl and Cordovan Designer Weave Nylon
558	Yellow Vinyl and Black and Yellow Designer Weave Nylon
559	Blue Designer Weave Nylon and White Vinyl
560	White and Red Vinyl
560A	White and Red Vinyl
561	Yellow and Black Vinyl
562	Light Green and Med. Green Vinyl
563	Light Blue and Dark Blue Vinyl
564	Blue—Green and White Vinyl
565	Green Designer Weave Nylon and White Vinyl
568	Red Designer Weave Nylon and White Vinyl
568A	Red Designer Weave Nylon and White Vinyl
569	Gray Ladder Stripe
569B	Gray Ladder Stripe
570	Calf Vinyl
571	Black and Yellow Designer Weave Nylon and Yellow Vinyl
572	Cordovan Designer Weave Nylon and White Nylon
573	Black and Yellow Vinyl and Black Chromatex
574	Black and White Vinyl and Black Chromatex
583	Black and Yellow Vinyl and Black Tapestry Weave Nylon
584	Black and White Vinyl and Black Tapestry Weave Nylon
585	Red and White Vinyl and Red Tapestry Weave Nylon
585A	Red and White Vinyl and Red Tapestry Weave Nylon
586	Green and White Vinyl and Green Tapestry Weave Nylon
587	Medium Blue and White Vinyl and Medium Blue Tapestry Weave Nylon
588	White Vinyl and Red Sq. Chromatex
589	Light Green Vinyl and Green Sq. Chromatex
590	Light Blue Vinyl and Blue Square Chromatex
591	Red and White Vinyl and Red Chromatex
591A	Red and White Vinyl and Red Chromatex
591B	Red and White Vinyl and Red Chromatex

BREAKDOWN OF CODES USED IN MERCURY PATENT PLATE NUMBERS—CONTINUED

TRIM SCHEME CODES (Cont.)

CODE	TRIM
592	Green and White Vinyl and Green Chromatex
592B	Green and White Vinyl and Green Chromatex
593	Med. Blue and White Vinyl and Blue Chromatex
593B	Med. Blue and White Vinyl and Blue Chromatex

PAINT CODES

CODE	COLORS
01	Tuxedo Black
03	Biltmore Blue
04	Gulfstream Blue Metallic
05	Kingstone Gray
07	Rockdale Gray Metallic
08	Forester Green Metallic
14	Springdale Green
15	Canyon Cordovan Metallic
16	Lime
17	Tropic Blue
18	Yukon Yellow
20	Arbor Green
22	Alaska White
24	Glen Lake Blue Metallic
26	Sea Isle Green Metallic
29	Carmen Red
31	Persimmon
203	Sun Glaze
32	Upper—Forester Green Metallic Lower—Springdale Green
33	Upper—Springdale Green Lower—Forester Green Metallic
35	Upper—Alaska White Lower—Sea Isle Green Metallic
36	Upper—Sea Isle Green Metallic Lower—Alaska White
38	Upper—Alaska White Lower—Forester Green Metallic
39	Upper—Forester Green Metallic Lower—Alaska White
40	Upper—Alaska White Lower—Springdale Green
41	Upper—Tuxedo Black Lower—Carmen Red
62	Upper—Forester Green Metallic Lower—Yukon Yellow
63	Upper—Alaska White Lower—Tuxedo Black

CODE	COLORS
64	Upper—Tuxedo Black Lower—Alaska White
65	Upper—Alaska White Lower—Carmen Red
66	Upper—Carmen Red Lower—Alaska White
67	Upper—Gulfstream Blue Metallic Lower—Biltmore Blue
68	Upper—Biltmore Blue Lower—Gulfstream Blue Metallic
69	Upper—Alaska White Lower—Gulfstream Blue Metallic
70	Upper—Gulfstream Blue Metallic Lower—Alaska White
71	Upper—Rockdale Gray Lower—Kingstone Gray
72	Upper—Alaska White Lower—Lime
77	Upper—Tuxedo Black Lower—Yukon Yellow
78	Upper—Alaska White Lower—Canyon Cordovan Metallic
79	Upper—Canyon Cordovan Metallic Lower—Alaska White
80	Upper—Alaska White Lower—Sun Glaze
81	Upper—Alaska White Lower—Tropic Blue
82	Upper—Tropic Blue Lower—Alaska White
83	Upper—Alaska White Lower—Arbor Green
84	Upper—Arbor Green Lower—Alaska White
85	Upper—Alaska White Lower—Glen Lake Blue Metallic
86	Upper—Glen Lake Blue Metallic Lower—Alaska White
87	Upper—Tuxedo Black Lower—Lime
88	Upper—Alaska White Lower—Biltmore Blue
94	Upper—Alaska White Lower—Persimmon
95	Upper—Rockdale Gray Metallic Lower—Persimmon
201	Upper—Sea Isle Green Metallic Lower—Springdale Green
202	Upper—Springdale Green Lower—Sea Isle Green Metallic

Group Alphabetical Index

Group Name	Group Number	Group Name	Group Number
------------	--------------	------------	--------------

DECK (REAR) AND LUGGAGE COMPARTMENT

Bumper (luggage compartment door to striker plate)	16754	Lock assembly (luggage compartment door)	43200
Cover assembly (luggage compartment door lock)-keyhole	43516	Medallion (luggage compartment door handle)	42530
Cover (luggage compartment door lock access hole)	43125	Moulding assembly (luggage compartment door handle)	43530
Cover (luggage compartment floor)	45455	Pad (luggage compartment door lock cylinder sleeve)	43625
Cover (luggage compartment floor)-right side	45474	Plate (luggage compartment door lock striker)	43252
Cover (luggage compartment fuel filler housing)	45489	Retainer (luggage compartment door handle medallion)	43564
Cylinder assembly (luggage compartment lock)-with keys	43505	Retainer (luggage compartment front liningboard)	45452
Door assembly (luggage compartment)	40110	Retainer (luggage compartment side liningboard)	45434
Handle assembly (luggage compartment door)	43500	Sleeve assembly (luggage compartment door lock cylinder)	43603
Hinge assembly (luggage compartment door)	42700-1	Spacer (luggage compartment door lock cylinder)	43565
Housing (fuel tank filler pipe)	11310	Spring (luggage compartment door hinge)	42760
Key blank (luggage compartment door lock)	43562	Spring (luggage compartment door hinge helper)	42762
Liningboard (luggage compartment side)	45416-7	Spring (luggage compartment door lock key hole cover)	43567
Liningboard assembly (luggage compartment)-front	45443	Trough assembly (luggage compartment door opening drain-side)-L. H.	45101
Link (luggage compartment door lock actuating)-lower	43227	Weatherstrip (luggage compartment door)	43720
Link (luggage compartment door lock actuating)-upper	43226		

DOORS (FRONT)

Arm and plate assembly (door window regulator)	23234-5	Escutcheon assembly (inside handle)	22618
Arm (door check)-front door	23504	Extension (front door trim moulding)-inside	21064-5
Arm rest assembly (door trim)	*24140-1	Filler (front door window garnish moulding)-front joint trim	21162
Bar (window regulator control switch)-bus	14513	Frame and glass assembly (front door ventilating window)	21406-7
Bracket (front door ventilating window upper pivot)	21464-5	Frame assembly (front door glass)-with glass run	22200-1
Bracket assembly (door ventilator window frame mounting)-lower	22210-1	Glass (front door vent window)	21412
Bracket assy (door ventilator window glass run)-lower inner	22912	Glass (front door window)	21410
Bumper (door window stop)	21762	Grommet (door window regulator)-motor mounting	23283
Button (front door window frame access plug)	22286	Grommet (door lock knob)	21999
Button and guide assembly (outside door handle)	22454	Handle assembly (door inside)	22600
Channel and bracket assembly (front door glass)	21458-9	Handle assembly (door outside)-less pin-front and rear	22406-7
Check assembly (front door)	23552	Handle assembly (door and quarter window regulator)	23342
Clip (door lock rod)	21952	Handle (door ventilator window frame)	22916-7
Clip (door arm rest)	24146	Hinge assembly (front door)-upper	22800-1
Control assembly (front door lock remote)	21818-9	Hinge assy (door lower)-R. H.	22810-1
Cover (front door glass frame to outside panel finish)	20446-7	Hinge assy (door lower)-R. H.	22810-1
Cover and spring kit (door lock cylinder)	21942-3	Key (door ventilator window frame)-handle locking	22920
Coupling (door window regulator drive)	23440	Kit (door outside rear edge moulding)	20910
Cylinder assembly (door lock)-with keys	21984-5	Kit (window shade)-front door	22856
Decal (station wagon doors)	20748	Kit-guard door handle (paint)	22446
Door assembly (front)-less hinges	20124-5	Knob (door locking control rod)	21850
Drive assembly (door window regulator)	23394-5	Link assy (door window regulator)	23218
Escutcheon (door lock cylinder)	21936		

* Refer to Soft Trim Section

Group Alphabetical Index

Group Name	Group Number	Group Name	Group Number
DOORS (FRONT)—continued			
Lock set assembly	3687-9	Retainer (outside door handle button)	22459
Lock assembly (front door)	21812-3	Retainer (door lock cylinder)	22023
Motor assembly (window regulator)	14553	Retainer (door rear weatherstrip)-at belt	20572-3
Moulding and weatherstrip assembly (door outside belt)	21010-1	Retainer (door upper moulding)-outside	21082
Moulding assembly (front door trim)-Center	20958-9	Retainer (door window garnish moulding spacer)	20918
Moulding assy (door trim)-front	20914-5	Rivet (division bar weatherstrip)-ventilator window	21524
Moulding assy (door trim)-rear	20920-1	Roller assembly (door window glass frame)	21525
Moulding assembly (front door trim)-upper	20942-3	Rod (front door lock push button)	21852-3
Moulding assembly (front door trim)-lower	20956	Roller assy (door window regulator)	23740
Moulding assembly (front door window garnish)	20904-5	Roller (door check arm)-inner and outer	23519
Moulding (front door garnish extension)	21078-9	Run assembly (front door glass)-top	21596
Moulding (front door trim)-upper	20996-7	Run assembly (door glass)-lock side-complete	21508-9
Moulding (door outside upper)-center	20932	Seal (door outside handle push button)	22478
Moulding (door outside upper)-front	21072-3	Shield (door wiring)	20770-1
Moulding kit (Montclair belt moulding)-accessory on Models 60B-60E	21072-3	Shield (door trim water)	20318
Moulding (door outside upper)-rear	21070-1	Shim (door lock striker plate)	22058
Moulding (front door outside)-front	20442-3	Sleeve (door lock pawl stop)	21909
Moulding (front door)-outside top	20492-3	Spacer (door window garnish moulding)	20922
Moulding (front door outside top)-lower	20494-5	Spacer (door window garnish moulding)-front	20972
Moulding (front door outside)-at belt	20934-5	Spacer (front door and fender rail)	20774
Moulding (front door outside)-lower	20938	Spring (outside door handle push button)	22462
Pad (door lock cylinder)	22042	Spring (key hole cover)	22006-7
Pad (outside door handle)-large	22428	Stop (door vent window pivot)	22992
Pad (door lock cylinder)	22042	Spring (door lock main)	21858
Pad (outside door handle)-small	22448	Stop (door window)-upper	21770
Panel assembly (front door)-trimmed-less arm rest	*23942-3	Spring (door lock remote control)	21910
Pin (front door outside handle release)	22438	Spring (door lock toggle)	21872-3
Pin (door hinge)	22840	Spring (door lock pawl stop)	21988
Plate (window regulator switch mounting)-single	14523	Spring (door lock operating lever)-retaining	22075
Plate (window regulator switch mounting)-multiple	14524	Spring (front door window regulator counter balance)	23318-9
Plate (front door lock mounting)	21878-9	Spring (door inside handle and window regulator handle)	22624
Plate (door lock striker tapping)	22024	Spring (key hole cover)	22006-7
Plate assembly (door lock striker)	22008-9	Spring (front and rear door ventilator window pivot)	22926
Plate (door hinge access cover)	22826-7	Spring (door ventilator window handle)	22986
Plate (window regulator handle)	23370	Strip (door glass retaining)-upper	21478
Plug button (door run access hole)	22826	Support assembly (door glass run)-lower lock side	21514
Rail (front door outside finish)-lower	20402-3	Switch assembly (window regulator control)-multiple	14540
Rail (front door outside finish)-upper	20960-1	Switch and housing assembly-(window regulator)-single	14507
Rain shield (front door ventilator window)	22884-5	Switch and housing assembly (window regulator)-multiple	14505
Regulator assy (door window)-less link	23206-7	Switch assembly (window regulator and electric seat control)-single	14529
Regulator assy (front door window)-less motor and drive	23208-9	Trim assembly (front door panel)-less arm rest	*23942-3
Relay assembly (window regulator control)	14512	Washer (door ventilator window pivot)	22982
Retainer assy (outside door handle button)-front and rear	22442-3	Washer (quarter ventilating window pivot friction)	22963
Retainer (door outside belt moulding)	21060	Weatherstrip assembly (front door)	20530-1
Retainer (door outside belt moulding)-end	21062	Weatherstrip assembly (front door front)-at belt inner	20568-9
Retainer (door and quarter panel outside lower moulding)	21066	Weatherstrip (door glass at belt)-inside	21456

* Refer to Soft Trim Section

Group Alphabetical Index

Group Name	Group Number	Group Name	Group Number
------------	--------------	------------	--------------

DOORS (FRONT)—continued

Weatherstrip (door vent window division bar)	21450-1	Weatherstrip (front door vent window)	21448-9
Weatherstrip (front door glass at belt)- outer & inner	21452-3	Window assembly (front door ventilator)- less glass	21414-5

DOORS (REAR)

Adaptor (door lock cylinder)	21953	Moulding assy (rear door trim)-center	25502-3
Arm (rear door check)	27204	Moulding assembly (rear door trim)-front	25504-5
Bar assembly (rear door window division)	26900-1	Moulding assembly (rear door trim)-lower	25578-9
Bellcrank (rear door lock)	26448	Moulding assembly (rear door trim)-rear	25546-7
Bracket (rear door window regulator mounting)	27064	Moulding assembly (rear door trim)-upper	25558-9
Bracket assy (door ventilator window glass run)- lower inner	22912	Moulding (rear door outside)-top-lower front	25548-9
Bracket assembly (rear door ventilator window glass run)-lower	25694	Moulding (rear door outside)-top-lower rear	25524-5
Bumper assy (door vent window frame)	21774	Moulding (rear door outside)-top-upper front	25542-3
Bumper (door window stop)	21762	Moulding (rear door outside top)-upper rear	25522-3
Button and guide assembly (outside door handle)	22454	Moulding (rear door outside)-upper	25540
Channel and bracket assembly (rear door glass)	26228-9	Moulding (rear door outside panel)-at belt	25554-5
Check assy (rear door)	27200	Moulding (rear door trim)-upper	25568-9
Clip (door arm rest)	24146	Moulding (rear door window garnish)	25514-5
Clip (door lock rod)	21952	Medallion assembly (front fender and body side)	25600
Control assembly (rear door lock remote)	26404-5	Pad (outside door handle)-large	22428
Coupling (door window regulator drive)	23440	Pad (outside door handle)-small	22448
Cover (rear door glass frame)-on door	24724-5	Panel assembly (rear door)-trimmed	*27406-7
Decal (station wagon doors)	20748	Pin (front door outside handle release)	22438
Division bar and retainer (rear door ventilator window)	26902-3	Pin (rear door hinge)	26832
Door assembly (rear)-less hinges	24630-1	Pin (rear door handle release)	26438
Key (door ventilator window frame)-handle locking	22920	Plate (body side name)	25622
Escutcheon assembly (inside handle)	22618	Plate (door lock striker tapping)	22024
Frame assembly (rear door ventilator window glass)-less handle	26898-9	Plate assembly (door lock striker)	22008-9
Frame assembly (rear door glass)-with glass run	26218-9	Plate (window regulator handle)	23370
Glass assembly (rear door window)-stationary	26870	Rail (rear door outside finish)-complete	25320-1
Glass (rear door window)	25712	Regulator assembly (rear door window)	27000-1
Glass (rear door ventilator window)	26870	Regulator assembly (rear door window)-less motor and drive	27008-9
Grommet (door lock knob)	21999	Retainer (rear door opening windlace)	27546
Guard (body side stone)	25652-3	Retainer (rear door opening)-corner windlace	24564
Guard (body side stone)-lower	25678-9	Retainer (body side stone guard)	25670
Handle assembly (door and quarter window regulator)	23342	Retainer (door lock cylinder)	22023
Handle assembly (door outside)-less pin-front and rear	22406-7	Retainer (outside door handle button)	22459
Hinge assembly (rear door)-lower	26810-1	Retainer (rear door outside rear moulding)-top- upper	25534-5
Hinge assembly (rear door)-upper	26800-1	Retainer (rear door top upper rear moulding)- outside	25572
Kit-guard door handle (paint)	22446	Retainer assembly (body side ornament)	25686
Knob (door locking control rod)	21850	Retainer assy (outside door handle button)-front and rear	22442-3
Link assembly (rear door lock control rod)	26408-9	Rod (rear door lock)-push button	26460
Lock assembly (rear door)	26412-3	Roller (door check arm)-inner and outer	23519
Lock set assembly	3687-9	Roller (door window regulator arm)	23286
		Roller assy (door window regulator)	23240

* Refer to Soft Trim Section

Group Alphabetical Index

Group Name	Group Number	Group Name	Group Number
------------	--------------	------------	--------------

DOORS (REAR)—continued

Run assembly (rear door glass)-lock side	25760	Spring (door window regulator roller)	23243
Run (rear door vent window division bar glass)	26884	Stop (door window)-upper	21770
Run assembly (rear door glass)-hinge side	25728	Stop (rear door vent window pivot)-lower	26912
Run assembly (rear door glass)-top	25766	Sleeve (door lock pawl stop)	21909
Seal (door outside handle push button)	22478	Switch assembly (window regulator and electric seat control)-single	14529
Shield assembly (rear door wiring)	24784-5	Trim assembly (rear door panel)	*27406-7
Shim (door lock striker plate)	22058	Washer (door ventilator window pivot)	22982
Spring (door inside handle and window regulator handle)	22624	Weatherstrip assembly (rear door)	25324-5
Spring (door lock operating lever)-retaining	22075	Weatherstrip assembly (rear door glass at belt)-outside	25596-7
Spring (front and rear door ventilator window pivot)	22926	Weatherstrip (rear door vent window)	26894-5
Spring (rear door window regulator)-counter balance	27048	Weatherstrip (rear door vent window division bar)	26906
Spring (door ventilator window handle)	22986	Window assembly (rear door ventilating)-less glass	26868-9
Spring (door lock main)	21858	Windlace assembly (rear door opening)	*24544
Spring (door lock pawl stop)	21988	Weatherstrip assembly (rear door)	25324-5
Spring (door lock remote control)	21910	Weatherstrip assembly (rear door window)-stationary	26894-5
Spring (door lock toggle)	21872-3		
Spring (outside door handle push button)	22462		

ELECTRICAL

Bar (window regulator control switch)-bus	14513	Switch and housing assy (window regulator)-multiple	14505
Bracket (top control switch mounting)	15676	Relay assembly (window regulator control)	14512
Circuit breaker assy (top control)	14526	Relay assy (top control)	15672
Clip (electric wiring-4-way seat regulator motor)	14197	Relay assembly (4-way electric seat)	15672
Coupling (4-way seat motor to regulator)	23279	Relay assembly (2-way and 4-way electric seat)	15672
Courtesy lamp (center arm rest and upper rails)	13723	Socket and retainer assembly (cigar lighter)	15055
Drive assy (quarter window regulator)-electric	30304-5	Shield (window regulator motor)	14484
Housing (seat regulator control switch)	14685	Spring (electric switch)-locking	23604
Knob and element assembly (cigar lighter)-instrument cluster	15052	Switch and housing assembly-(window regulator)-single	14507
Lens (dome lamp)	13783	Switch assembly (window regulator and electric seat control)-single	14529
Motor assembly (seat regulator)	14547	Switch assembly (seat regulator control)	14545
Motor assembly (window regulator)	14553	Switch and housing assy (4-way seat regulators)	14680
Motor assembly (top control)	15667	Switch assembly (top control)	15668
Plate (window regulator switch mounting)-single	14523		
Plate (window regulator switch mounting)-multiple	14524		
Relay assembly (window regulator control)	14512		

FLOOR

Bracket (rear seat cushion floor panel support)	60566-7	Carpet and pad assembly (rear floor)	*13046
Bracket assembly (auxiliary seat back hinge)	63008	Cover (auxiliary seat back front floorboard panel)	*60968
Bumper (auxiliary seat back floor stop)	60922	Cover (auxiliary seat back rear floorboard panel)	*60970
Carpet and pad assembly (auxiliary floor)	*13040	Cover (auxiliary seat back rear floorboard panel)	*60970
Carpet and pad assembly (front floor)	*13000	Cover (floor pan rear gas gauge)	11290

* Refer to Soft Trim Section

Group Alphabetical Index

Group Name	Group Number	Group Name	Group Number
------------	--------------	------------	--------------

FLOOR—continued

Cover (rear seat cushion panel)	*60966-7	Moulding (body rocker panel curb buffer)	10176-7
Cover assembly (right rear seat back floor)	*60559	Moulding kit (body rocker panel)	10146
Cover assembly (left rear seat back floor)	*60565	Pad (front floor mat heel)-accessory	13084
Cover (rear seat back panel)	*60570-1	Pad (front floor)-heel	*13086
Cover assembly (right rear seat cushion floor)	*60926	Pad (front floor mat heel)	13084
Cover assembly (auxiliary seat back floor)-front	*60934	Pan assembly (floor)-front	11135
Cover assembly (auxiliary seat back floor)-rear	*60960	Pan assembly (floor)-rear	11215
Cover assy (auxiliary floor pan extension)-front	*13114	Panel assembly (right rear seat back)-less cover	60508
Cover assembly (floor pan side extension)	*13108	Panel assembly (left rear seat back)-less cover	60509
Cover assembly (spare tirewell)	*45826	Panel assembly (left rear seat cushion)	60513
Cover assembly (transmission band adjusting access)	12128	Panel assembly (right rear seat cushion)	60512
Clip (auxiliary seat back prop)	60955	Panel assembly (rear floor)-rear sill	11323
Extension (rear floor pan to quarter panel)-R. H.	11250	Panel assembly (spare tirewell)-less cover	45806
Extension assembly (rear floor pan to quarter panel)-L. H.	11239	Panel assy (auxiliary seat back and floorboard) front-less cover	60940
Filler (rear floor to quarter panel)	11228-9	Panel assy (auxiliary seat back and floorboard) -rear-less cover	60942
Filler assembly (floor pan to quarter panel)	11220-1	Plate (body rocker panel scuff)-front	13208-9
Foot (rear seat cushion floorboard support)	60728	Plate (body rocker panel scuff)-rear	13228-9
Foot (right rear seat cushion support rail)	60984	Prop assembly (auxiliary seat back)-outer	60936
Hinge assembly (auxiliary seat back floor board panel)	60928	Prop (auxiliary seat back)-inner	60947
Housing assembly (fuel filler pipe)	27936	Retainer (rear seat cushion panel support to floor)	60638
Insulator assembly (front floor)	11113	Retainer (body rocker panel curb buffer moulding)	10198
Insulator assembly (rear floor)	11268	Spacer (body to frame)	11520
Insulator assembly (rear floor)-under seat	11486	Spring (fuel filler opening lid)-hinge	28614
Loop (footman)	54810	Strip (rear floor finish)-at wheelhouse	13234-5
Mat assembly (auxiliary floor)	*13040	Strip (rear floor side finish)-at wheelhouse	13210-1
Mat assembly (rear floor)	*13046	Support assembly (rear seat cushion floor board panel)	60552-3
Mat assembly (front floor)-complete	*13000	Support assembly (right rear seat cushion)	60634-5
		Support (fuel filler pipe)	28629

FRONT

Arm (glove compartment door check)	06117-8	Cable assembly (fresh air inlet control)-used without heater	01890-1
Arm and bracket assembly (visor)	04144-5	Clamp (hand brake cable opening cover)	01642
Box assembly (glove compartment)	06010	Clip assembly (visor arm)	04131
Box and snuffer assembly (ash receptacle)	04821	Clip (windshield outside side moulding)-retaining	03183
Brace (brake pedal support)-to cowl top	01554	Connector (body vent air duct)	01878
Brace assembly (dash to frame)-right side	01714	Cover assy (instrument panel heater control opening)	04506-7
Brace assembly (dash to frame)-left hand side	01715	Cover (dash panel heater opening)	01846
Bracket assembly (instrument panel to pillar)	04365	Cover (front body pillar hinge opening)-lower	02648
Bracket (front body pillar visor)	04128-9	Cover (front body pillar hinge opening)-upper	02648
Bracket (instrument panel heater control opening cover)-lower	04526-7	Cover (hand brake cable opening in dash)	01641
Bracket (instrument panel heater control opening cover)-upper	04528	Cover (instrument panel clock opening)	04428
Bracket (instrument panel to pillar)	04366	Cover (radio control knob hole)	04530
Bumper (instrument panel ash receptacle door)	04870	Cover (windshield garnish lower moulding joint)	03086
Catch (glove compartment door lock)	06064	Cylinder & key set	3687-9
Cable assy (fresh air inlet control)-used with heater	01890-1	Damper assembly (body vent air valve)	01862
		Deflector (windshield defroster)-center	04329

* Refer to Soft Trim Section

Group Alphabetical Index

Group Name	Group Number	Group Name	Group Number
------------	--------------	------------	--------------

FRONT—continued

Door assembly (glove compartment)	06024	Pin (visor anchor)	04114
Dowel (folding top No. 1 bow)-center	03442	Plate assembly (steering column opening cover)- L. H.	01683
Duct assembly (vent air)	01902	Plate (radio opening cover)	04371
Duct assembly (vent air outlet)	01934	Plate (steering column opening cover)	01698-9
Emblem (instrument panel)	04407	Reinforcement (brake pedal support dash panel)- inner	01550
Gasket (air valve)	01880	Reinforcement (brake pedal support dash panel)- outer	01552
Grill (instrument panel radio)	04454	Reinforcement (brake pedal support cowl top)- outer	01560
Grommet (dash panel overdrive cable)	01694	Retainer assy (instrument panel ash receptacle)	04826
Grommet (glove compartment door check arm)	06122	Retainer assembly (instrument panel moulding)	04439
Handle assembly (folding top locking)	03570	Retainer (cowl cardboard)	02354-5
Handle (fresh air duct register door)	01844	Retainer (door windlace opening)	02614
Insulator (body bolt)	00154	Retainer (front body pillar weatherstrip)-upper	02594
Insulator (air vent duct)-at hood hinge	01464	Retainer (radio opening cover plate)	04456
Insulator assembly (dash)	01670	Retainer assembly (instrument panel radio grille)	04492
Kit (cigar lighter element)	04603	Seal (windshield header dowell)	03466
Knob and element assembly (cigar lighter)- instrument cluster	15052	Screen (ventilating air duct)-front	01900
Lock assembly (glove compartment door)-complete with keys	06081	Shim (body mounting)	00145
Moulding assembly (cowl trim)	02368-9	Silencer (dash panel lower)-lower	01786
Moulding (instrument panel end)	04332-3	Spacer (body bolt)	00134
Moulding (quarter panel outside)-lower	29038-9	Spacer (body to frame)	01740
Moulding assembly (quarter outside)-upper	29062-3	Spacer (body bolt at frame)	00141
Name plate (instrument panel)	04460	Socket and retainer assembly (cigar lighter)	15055
Ornament (quarter inside)-upper chrome finish	31126	Support (instrument panel radio grille)	04548
Panel assembly (body rocker)	10128-9	Support (accelerator shaft)	01546
Panel assembly (cowl top)	02010	Support assembly (brake pedal)	01508
Panel assembly (quarter inside to floor pan)	27856-7	Valve assembly (fresh air duct)	01850-1
Panel assembly (cowl trim)	*02340-1	Visor assembly (less arm and bracket)	*04104
Panel assembly (dash)	01610	Washer (body to frame anti-squeak)-large	0045
Panel assembly (instrument)-less instruments	04320	Weatherstrip (front body pillar)-upper	02626
Panel (instrument panel)-end	04334-5	Windlace and reinforcement assy (front body pillar and door opening)	*02600-1
Pillar and panel assy (cowl side and body front)	02042-3		
Pillar (front body upper)-inner	02508-9		
Pillar (front body upper)-outer	02516-7		

PACKAGE TRAY

Bracket (package tray strainer to wheelhouse)	46608-9	Panel assembly (package tray-trim)	*46668
Insulator assembly (package tray)	46663	Retainer (package tray trim)	46698
Insulator assy (package tray to floor)	46694-5	Strainer (package tray to floor)	46610
Panel assembly (package tray)	46506		

PILLARS (CENTER BODY)

Moulding assembly (center body pillar outside)- top-upper	24428	Moulding (center body pillar outside)-top-lower	24460
Moulding assembly (center body pillar)-outside belt	24448	Panel (center body pillar finish)-inside	24350-1
Moulding (center pillar)-garnish	24346	Pillar assembly (body center)	24300-1
Moulding (center body pillar)-belt rail to roof	24416-7	Rail (body center pillar outside finish)-upper	24366
Moulding (center body pillar outside)-belt	24462-3	Rail (body center pillar outside finish)-lower	24368-9
		Strap assembly (assist)	*31406

* Refer to Soft Trim Section

Group Alphabetical Index

Group Name	Group Number	Group Name	Group Number
QUARTER (REAR)			
Arm rest assembly (rear quarter)	*31600-1	Moulding (quarter panel at belt outside)	29034-5
Brace assembly (quarter lock pillar to floor)	28198-9	Moulding (quarter outside)-lower	29038
Brace (quarter lock pillar to floor)	28260-1	Moulding (quarter trim)-top	31104-5
Bracket and hinge assy (quarter window)-on body	29976-7	Moulding (quarter panel fuel filler lid)	28649
Bracket assembly (quarter window regulator panel to wheelhouse)	28014-5	Moulding (quarter outside top)-front	29194-5
Bracket (quarter panel wheel opening cover)-front	28000-1	Moulding assembly (quarter trim)-lower front	31214
Bracket (quarter panel wheel opening cover)-upper	28020	Moulding assy (quarter arm rest)-upper	31782
Bracket (quarter panel wheel opening cover)-rear	28002-3	Moulding assy (quarter trim)-center	31122-3
Bracket (rear door window stop)-lower	27072	Moulding assy (quarter trim upper)-front	31204-5
Bumper (quarter window stop)-inner	29994	Moulding assembly (quarter trim)-upper	31140
Bumper (quarter window stop)-outer	29986	Moulding assembly (quarter trim)-upper	31144-5
Bracket (quarter trim upper rear)-to arm rest panel	31158-9	Moulding assembly (quarter window garnish)	29002-3
Bumper assembly (quarter window stop)-lower	29986	Moulding (quarter outside)-upper	29068-9
Channel (quarter window lower)	29944-5	Ornament assembly (body side)-stone blister	25612-3
Channel (quarter window sliding glass)	29902	Ornament (body side)	25616-7
Channel assembly (quarter window)-lower	29958-9	Panel assembly (quarter)-less wheelhouse	27840-1
Channel assembly (quarter window)-upper	29962-3	Panel assembly (quarter trim)-front	*31004-5
Clip (rear door trim)-at lock water shield	27463	Panel assembly (quarter trim)-less arm rest	*31002-3
Clip (quarter trim)-retainer	31168	Panel assembly (quarter trim)-rear	*31010-1
Collar (quarter panel fuel filler opening)	28635	Panel assembly (quarter window regulator)	27870-1
Cover assembly (quarter trim panel)-lower front	*31280-1	Panel assembly (rear wheel cover opening)	27974-5
Cover (assist strap link)	31421	Panel assy (rear corner inner finish)-upper	*40428-9
Cover (quarter wheelhouse)	*45466-7	Panel assy (wheelhouse and quarter)-complete	27700-1
Drive assy (quarter window regulator)-electric	30304-5	Panel (quarter lower)-less wheelhouse	27846-7
Extension assy (quarter window guide brace)	30416-7	Panel (quarter)-upper	27854-5
Extension (quarter panel)-lower rear	28058-9	Panel (rear corner inner finish)-lower	40462-3
Extension (quarter panel rear)-upper	28072-3	Pillar assembly (rear corner)	41032-3
Extension (quarter panel rear)-upper	28058-9	Pin (quarter window frame hinge)	30556
Filler (quarter panel)-upper front-belt rail	28060-1	Plate (body side name)	25622
Filler (quarter window opening corner)-rear	29458-9	Plate (quarter window rear guide adjusting screw)	30406
Filler (quarter window opening front)-corner	29788-9	Plate quarter window (sliding glass)-latch striker	29664
Filler (quarter window opening)-lower	29996	Rail (quarter outside fuel filler lid finish)-L. H.	28601
Filler (quarter window opening)-upper	29990-1	Rail (quarter outside finish)	28712-3
Glass assembly (quarter window)-stationary	29740	Rail Assembly (belt side)	41732-3
Glass (quarter window sliding)	29710	Rail (belt side)-outer	41736-7
Glass (rear quarter window)	29710	Rail (quarter belt)	28714-5
Guard (body side stone)	25652-3	Rail (quarter outside fuel filler lid finish)	28601
Guard (body side stone)-lower	25678-9	Rail (quarter outside finish)-lower L. H.	28607
Guide assembly quarter window)-front	29752-3	Rail (quarter outside finish)-upper	28712-3
Gusset (rear corner pillar to roof rail)	40364-5	Receptacle assembly (front seat back and quarter ash)	62876
Housing assembly (fuel filler pipe)	27936	Receptacle assembly (quarter and front seat back)	30702
Insert (quarter window weatherstrip)-front	30148	Register (ventilator)	01820
Knob and element assy (R. H. quarter arm rest)	62844	Regulator assembly (quarter window)	30306-7
Knob (quarter ash receptacle)	30710	Regulator assembly (quarter window)-less motor &	30380-1
Latch assembly (quarter window sliding glass)	29668-9	drive assy	
Lid assembly (quarter panel fuel tank filler)	28611	Reinforcement assembly (quarter panel)-lock side	28200-1
Medallion assembly (front fender and body side)	25600	Reinforcement (quarter panel)-lock side	28208-9
Moulding and weatherstrip (quarter outside belt)	29022-3	Reinforcement (quarter panel lock side)-lower	28216-7
Moulding assembly (quarter arm rest)-lower	31796	Reinforcement (quarter window regulator panel)	30344
Moulding assy (quarter trim lower)-rear	31150	Reinforcement (rear corner)	41056-7
		Reinforcement (rear panel tail lamp opening)	27970

* Refer to Soft Trim Section

Group Alphabetical Index

Group Name	Group Number	Group Name	Group Number
------------	--------------	------------	--------------

QUARTER (REAR)—continued

Retainer (body side stone guard)	25670	Shield (quarter panel fuel pipe housing)-splash	28623
Retainer assembly (body side ornament)	25686	Shield (quarter panel fuel filler splash opening)	28680
Retainer assy (quarter ash receptacle)	30714-5	Spacer (quarter outside finish rail)	28718
Retainer assy (quarter panel)	23898	Spacer (quarter window garnish moulding)	29096
Retainer assembly (quarter panel fuel filler lid moulding)	28674	Spring (fuel filler opening lid)-hinge	28614
Retainer assy (quarter outside moulding)-upper	29108	Spring (quarter window regulator counter balance)	30351
Retainer assembly (quarter weatherstrip)-outside-upper	29920-1	Stop assy (quarter window regulator arm)	29822
Retainer assy (quarter window guide)	30370	Stop assembly (quarter window)	29968
Retainer (quarter outside moulding)	29144	Strip (quarter window sliding glass retaining)	29722-3
Retainer (quarter pillar windlace)-lower	31346-7	Strip assembly (belt tacking)-side front	41772-3
Retainer (quarter trim panel to wheelhouse)-rear	28078-9	Strip (quarter window glass retaining)	29724
Retainer (quarter & rear door outside moulding)	29144	Support assy (quarter window to wheelhouse)	29424-5
Retainer (quarter outside moulding)-top-front	29226	Support (fuel filler pipe)	28629
Retainer (quarter window front weatherstrip)	29952	Support (quarter window garnish moulding)-front	29188
Retainer (quarter outside)	29226	Trim assembly (quarter panel)	*31012-3
Retainer (quarter outside top front moulding)-rear	29228	Washer (quarter ventilating window pivot friction)	22963
Retainer (quarter outside top rear moulding)	29230	Weatherstrip assembly (quarter window)-front	30146-7
Retainer assy (quarter panel)	23898	Weatherstrip assembly (quarter window glass)-outer	29732-3
Retainer assembly (front & quarter weatherstrip)-outside upper	29920-1	Weatherstrip assy (quarter window front lower corner)	29748
Roller (quarter window guide)	29824	Weatherstrip assy (quarter window stationary glass) -vertical	29910-1
Run assembly (quarter window glass)	30104-5	Weatherstrip (quarter window glass at belt)-inside	29744-5
Run (quarter window sliding glass)-upper	30110	Weatherstrip (quarter window glass at belt)-outside	29742-3
Seal (quarter outside moulding retainer)-lower	29074	Weatherstrip (quarter window)-stationary glass	29904
Seal (quarter outside ornament)-upper	29102	Wheelhouse assembly (quarter)	27882-3
Seal (quarter panel wheel opening cover)	27986-7	Wheel opening cover kit (quarter panel)	27964
Shield assembly (quarter trim)-water	31064-5	Windlace assembly (quarter lock pillar)	*31290-1
Shield (quarter trim)-water	31090-1		

REAR

Clip (license lamp leveling rod)	40367	Retainer (back belt moulding)	40248
Cover (back belt moulding joint)	40240	Rod (license lamp leveling)	40356
Moulding assembly (back belt)	40238-9	Spring (license lamp leveling rod)	40362
Panel assembly (body back)-lower	40320		

ROOF

Bracket (coat hook)	29019	Cover (roof glass garnish moulding)-rear corner	50088-9
Bracket (roof-side rear outer rail to wheelhouse)	51242-3	Curtain assembly (roof sunshade)	*50132
Cover (moulding roof side inner-rear)-rear joint	61144-5	Glass (roof)	50054
Cover (roof drip finish moulding joint)-front corner	51792	Headlining assembly (roof)	*51916
Cover (roof drip rail joint)-front corner	51762	Hook (coat)-quarter	29025
Cover (roof drip rail rear corner joint)	51798-9	Insulator (roof panel)-inner	54310
Cover (roof side inner rear rail)	*51176	Insulator assembly (roof panel inner)	54312-3
		Medallion kit (roof side ornament)-outer	50228

* Refer to Soft Trim Section

Group Alphabetical Index

Group Name	Group Number	Group Name	Group Number
ROOF—continued			
Moulding (back belt)	40242-3	Reinforcement assembly (roof panel center)	50244
Moulding (roof drip)-front	51724	Retainer (rear roof headlining support)	52180
Moulding (roof drip)-rear	51704	Retainer (roof headlining support)	52182
Moulding (roof drip)-side	51700-1	Retainer assembly (roof outside rear moulding)	50030
Moulding (roof drip finish)-front	51718-9	Retainer (roof outside side moulding)-front	50024-5
Moulding (roof drip finish)-side	51726-7	Retainer (roof outside side moulding)-rear	50022
Moulding (roof outside)-rear	50044	Retainer (roof outside side moulding)	50038
Moulding (roof side inner)-front	51752-3	Retainer assy (roof glass outside rear moulding)	50112
Moulding (roof side inner)-rear	51754-5	Retainer (roof glass outside rear moulding)	50122
Moulding (glass garnish)-front	50092	Retainer (roof sunshade curtain)-storage	*50182
Moulding (roof glass garnish)-rear	50098	Seal (moulding roof outside rear)	50268
Moulding (roof glass garnish)-side	50096-7	Strip (roof headlining retaining)-front	50952-3
Moulding (roof glass outside)-rear	50064	Strip (roof headlining retaining center)-side	50954-5
Moulding (roof glass outside)-side	50062-3	Strip (roof headlining retaining)-rear	50956-7
Ornament assembly (roof side)-outer-less medallion	50264-5	Support (roof headlining retaining)	52101-10
Panel assembly (roof)	50200	Support and bracket assy (dome lamp mounting)	51486
Panel assembly (upper back)	40310	Weatherstrip assembly (roof side rail)	51222-3
Panel (lower back)	40324	Weatherstrip assy (folding top side rail)-inner center	51564-5
Panel assembly (roof rail rear trim)	*51948-9	Weatherstrip assy (folding top side rail)-inner rear	51566-7
Panel (roof rail rear trim)	51970-1	Weatherstrip assembly (roof glass)	50080
Rail (roof side)-outer-front	51186-7	Welt (roof headlining trim)	*51972
Rail (roof side)-inner-front	51184-5		
Rail assembly (roof side)-outer	51218-9		

AUXILIARY SEAT

Back assembly (auxiliary seat)	*60096	Cover (auxiliary seat back front floorboard panel)	*60968
Bracket assembly (auxiliary seat back hinge)	63008	Cushion assembly (auxiliary seat)	*60090
Bumper (auxiliary seat back floor stop)	60922	Hinge assembly (auxiliary seat back floor board panel)	60928
Button and stop assy (front, auxiliary and rear seat back)	*63501	Panel assembly (auxiliary seat back and floorboard)-front-less cover	60940
Clip (auxiliary seat back prop)	60955	Panel assembly (auxiliary seat back and floorboard)-rear-less cover	60942
Cover assembly (auxiliary seat back floor)-front	*60934	Prop (auxiliary seat back)-inner	60947
Cover assembly (auxiliary seat back floor)-rear	*60960	Prop assembly (auxiliary seat back)-outer	60936
Cover assembly (auxiliary seat cushion)	*63822		
Cover assembly (auxiliary seat back)	*66640		

SEAT (FRONT)

Arm (front seat track actuating)-front	61740-1	Bumper (center seat back)	61333
Arm (front seat track actuating rear)	61716-7	Button and strap assy (front, auxiliary and rear seat back)	*63501
Back assembly (front seat)	*60136-7	Cover (robe cord end)	62806
Bar (front seat track equalizing)-horizontal	61845	Cover assembly (front seat back)	*64416-7
Bar assembly (front seat track equalizing)-vertical	61832	Cover assembly (front seat cushion)	*62900
Box and snuffer assembly (front seat back ash receptacle)	62896	Cover assembly (front seat adjuster regulator housing)	60481

* Refer to Soft Trim Section

Group Alphabetical Index

Group Name	Group Number	Group Name	Group Number
------------	--------------	------------	--------------

SEAT (FRONT)—continued

Cushion assembly (front seat)-trimmed	*60050	Relay assembly (2-way and 4-way electric seat)	15672
Extension (front seat cushion side shield)	62198-9	Reinforcement (floor pan to electric seat adjuster)	60460-1
Escutcheon (front seat adjusting lever)	61789	Retainer assembly (front seat back ash receptacle)	62868
Eye bolt (front seat track tie rod)	61730	Retainer (front seat side shield moulding)	62234
Gasket (front seat adjuster regulator cover-type "B")	60467	Retainer (robe cord end cover)	62822
Gear (front seat adjuster regulator-type "B")	60419	Retainer (seat trim strap)	63520
Gear assembly (front seat regulator-type "C")-vertical	60465	Robe cord assembly (front seat back)	*62800
Gear assembly (front seat-type "C")-horizontal	60471	Rod (front seat track tie)	61726
Handle assembly (front seat track adjusting)	61755	Scuff plate (front seat back frame)-inner	61182
Handle (front seat back ash receptacle cover)	62878	Shaft assembly (front seat adjuster regulator)-horizontal	60477
Housing assembly (front seat adjuster regulator)-type "B")-horizontal	60402	Shaft assembly (front seat adjuster regulator)-vertical	60480
Housing assembly (front seat adjuster regulator-type "B")-vertical	60403	Shield assembly (front seat side)	*66400-1
Kit-motor assembly (4-way seat regulators)		Spring (electric switch)-locking	23604
Kit-seat belt (one person)	*61200	Shield (front seat cushion)-side	62186-7
Key (seat adjuster regulator-type "B" and type "C")	60490	Spring (front seat track assist)	61828
Knob and element assembly (R.H. quarter arm rest)-and front seat back	62844	Spring (front seat track latch)	61883
Link (front seat track drive)	61724-5	Support assembly (front seat to floor)	61708-9
Link (front seat track tie rod)	61744	Support assembly (rear seat back moulding)	62332
Moulding (front seat back)	60788-9	Spacer (front seat track upper to cushion frame support)	61782
Moulding (front seat cushion side shield)	62224-5	Stop (front seat back)	61064
Receptacle assembly (front seat back and quarter ash)	62876	Switch assembly (seat regulator control)	14545
Relay assembly (seat regulator control)	14546	Switch and housing assembly (4-way seat regulators)	14680
		Track assembly (front seat)	61704-5
		Washer (front seat adjuster regulator screw shaft-type "B")	60437

SEAT (REAR)

Back assembly (rear seat)	*60032-3	Cover assembly (left rear seat cushion floor)	*60531
Brace (rear seat back support to floor)	62446	Cover assembly (right rear seat cushion floor)	*60926
Brace (rear seat back center arm rest strainer to floor)	67218-9	Cover assembly (rear seat heelboard)	*67516
Bracket assembly (rear seat back moulding mounting)	61106	Cover (rear seat back panel)	*60570-1
Bracket (rear seat cushion floor panel support)	60566-7	Cover (rear seat cushion panel)	*60966-7
Bumper (rear seat back)	61333	Cushion assembly (rear seat)-trimmed	*60080-1
Button and strap assy (front, auxiliary and rear seat back)	*63501	Filler (rear seat back)-top	61194-5
Catch (rear seat back stop)	60575	Flap assembly (center arm rest)	*67286
Center arm rest assembly-trimmed	*67240	Foot (rear seat cushion floorboard support)	60728
Cover assembly (center arm rest)	*67244	Foot (right rear seat cushion support rail)	60984
Cover assembly (rear seat back)	*66600-1	Frame assembly (right rear seat cushion tubular)	63160
Cover assembly (rear seat back frame)	*66656	Frame (left rear seat back)-upper	61023
Cover assembly (rear seat cushion)	*63804-5	Frame (right rear seat back)-upper	61022
Cover assembly (left rear seat back floor)	*60565	Kit (anti-rattle)-rear seat back	61099
Cover assembly (right rear seat back floor)	*60559	Link and vertical strainer assembly (rear seat back center arm rest)	67210
		Loop (rear seat back stop)	61099
		Moulding assembly (rear seat back center)-less medallion	61084

* Refer to Soft Trim Section

Group Alphabetical Index

Group Name	Group Number	Group Name	Group Number
------------	--------------	------------	--------------

SEAT (REAR)—continued

Panel assembly (left rear seat support)	60718-9	Plate assembly (rear seat back stop anchor)	61328
Panel assembly (left rear seat back)-less cover	60509	Stop assembly (rear seat back)	61062
Panel assembly (right rear seat back)-less cover	60508	Spacer (rear seat back stop loop)	61090
Panel assembly (left rear seat cushion)	60513	Retainer (rear seat cushion panel support to floor)	60638
Panel assembly (right rear seat cushion)	60512	Support assembly (rear seat cushion floor board panel)	60552-3
Pin (right rear seatback pivot)	63036	Support assembly (right rear seat cushion)	60634-5
Pin (left rear seat pivot)	63023		

TAILGATE (STATION WAGON)

Bumper assembly (lift gate to rear corner pillar)	40434	Lock assembly (tail gate)	43150-1
Button and guide assembly (lift gate outside handle)	43440	Moulding assembly (tail gate ornament)	43530
Catch (spare tirewell cover hold down)	45844	Ornament assembly (tailgate)	43500
Clip (tail gate lock remote control link)-outer	43174-5	Panel assembly (spare tirewell)-less cover	45806
Clip (tail gate lock remote control link)-inner	43185	Pad (tailgate ornament)	42620
Cover (tail gate lock access)	43114	Pin (tail gate hinge)	43030
Cover (liftgate lock access)	43132	Plate (tail gate lock striker)	43146-7
Control assembly (tail gate lock remote)	43170	Rail (tailgate outside finish)	40910
Cover assembly (tailgate panel)	*40704	Rail assembly (liftgate header)	41302
Cover (tail gate license lamp access hole)	43148	Retainer (liftgate outside belt moulding)	40250
Cover (lift gate lock cylinder key hole)	43446	Retainer (tail gate bottom outer weatherstrip)	43732
Cover (lift gate outside moulding joint)-upper	42450	Retainer (medallion-luggage compartment door and tail gate handle)	43564
Cylinder assembly (lift gate)-with keys	43431	Seal (tail gate lock access cover)	43154
Door bumper (panel tailgate)-upper	23030	Shim (tail gate lock striker plate)	43152
Extension (lift gate lock cylinder)	43436	Spring (lift gate hinge)	42936
Gate assembly (lift)-less paint and trim	40010	Spring (lift gate outside handle button)	43445
Gate assembly (tail)-less paint and trim	40702	Spacer (outside finish rail)	40924
Handle assembly (lift gate)-outside	43400	Strip (hood front flange breaker)	43734
Handle (tail gate latch)	44435	Strip (tail gate skid)	44432
Hinge assembly (lift gate)	42900-1	Support assembly (tail gate)	44400-1
Hinge assembly (tailgate)	43000-1	Weatherstrip assy (tail gate)-lower	41608
Hinge assembly (spare tirewell panel)	47166	Weatherstrip assy (tail gate)-upper	41614
Knob (lift gate lock release lever)	43145	Weatherstrip assembly (lift gate)	43706
Link (tail gate lock remote control)	43172-3	Weatherstrip (tail gate)-bottom outer	43726
Lock assembly (lift gate)	43102		

TOP (CONVERTIBLE)

Bezel (top control knob)	15677	Bushing (folding top control link to side rail)	50474
Binding (folding top)-No. 4 bow	*52300	Case assembly (top quarter pad)	*52874-5
Bow assembly (folding top)-No. 3	51269	Bracket assembly (folding top lift junction block)	53465
Bow assembly (folding top)-No. 2	51274	Bracket (door window stop)-lower	21760
Bow assembly (folding top)-No. 4	51278	Bracket (folding top balance link adjusting)	50478-9
Brace (folding top main pivot bracket support)	53152-3	Bracket (top control switch mounting)	15676
Bracket assembly (folding top balance link pivot)	50450-1	Bracket (top lift to floor)	50804
Bracket assembly (top lift to floor)	50564-5	Bracket assembly (folding top No. 3 bow)	53136-7
Bracket assembly (folding top main pivot)	53118-9	Bushing (folding top power link to side rail)	50472

* Refer to Soft Trim Section

Group Alphabetical Index

Group Name	Group Number	Group Name	Group Number
------------	--------------	------------	--------------

TOP (CONVERTIBLE)—continued

Circuit breaker assy (top control)	14526	Retainer (folding top side rail bumper)	53066-7
Clamp assembly (roof hold down)	50508	Retainer (folding top compartment side trim-front)	54624-5
Clip (folding top compartment front)	54604	Retainer (folding top compartment side trim-rear)	54672-3
Container assembly (top dust hood)	*54486	Retainer (folding top compartment trim)-rear	54674
Cover assembly (folding top compartment)-upper	*54640-1	Retainer (folding top compartment trim front)	54676
Cover (folding top No. 1 bow outside moulding joint)	50348-A	Run assembly (front door glass)-lock side	
Curtain and window assembly (top back)	*52500	Run (door glass division bar)	21546
Elbow (folding top inverted flared tube)	50696	Screen (folding top compartment drain)	54667
Fastener (folding top compartment drain screen)	54668	Screw (folding top balance link horizontal adjusting)	50490
Handle assembly (top control)	15674	Screw (folding top balance link vertical adjusting)	50491
Header assembly (folding top)-No. 1 bow	53038	Shield assembly (folding top compartment water)	54682-3
Hood assembly (top dust)	*54400	Spring assembly (folding top side quarter tension)	52806
Hose assembly (folding top lift)-upper and lower	53390	Slat (folding top rear bow No. 4)	50340-1
Lift assembly (folding top)	50600	Stop (folding top No. 2 bow control link)	53050
Link assembly (folding top control)	50316-7	Strap assembly (folding top lift motor mounting)	50754
Link assembly (folding top lower power)	50356-7	Strip assy (belt tacking)-center	41745
Link (folding top upper power)	50370-1	Support assembly (folding top main pivot bracket to wheelhouse)	53086-7
Link (folding top balance)	50454-5	Support (folding top main pivot bracket)	53158-9
Motor assembly (top control)	15667	Switch assembly (top control)	15668
Moulding assembly (folding top No. 1 bow)-outside	51384-5	Top assembly (folding)-less trim	53000
Plate assembly (folding top main pivot)	53084-5	Top deck and quarter assembly (folding top)	*52700
Plate (roof hold down clamp latch)	50530	Trim assembly (top folding compartment)-front	*54602-3
Plug assembly (folding top hydraulic lift reservoir filler hole)	53450	Trim assembly (top folding compartment)-rear	*54600
Pump assembly (folding top hydraulic lift)-square type	53337	Tube (folding top compartment drain)	54666
Pump assembly kit (folding top hydraulic lift)-round type	53337	Washer (spring three wave)	53210
Rail assembly (folding top center side)	51154-5	Washer (spring three wave)	53211
Rail assembly (roof side)-inner-front	51180-1	Washer (spring three wave)	53217
Rail assembly (roof side)-inner-rear	51212-3	Weatherstrip assy (folding top center side rail)-outer	51552-3
Rail assembly (folding top rear side)	53196-7	Weatherstrip assy (folding top rear side rail)-outer	51558-9
Rail (folding top side)-front	53104-5	Weatherstrip assy (folding top side rail)-front	51562-3
Reinforcement (floor to horizontal seat adjuster)-inner	60460-1	Window & extension assembly (top back curtain)	*62616
Relay assy (top control)	15672	Weatherstrip assembly (folding top side rail)-center	51564-5
Reservoir kit (folding top hydraulic lift)	53376	Weatherstrip assembly (folding top side rail)-rear	51566-7
Retainer assembly (folding top No. 1 bow outside moulding center)	50363	Weatherstrip assy (folding top No. 1 bow)-rear	51330
Retainer assembly (top lift to floor bracket)	50816	Weatherstrip (folding top header front)	51338
Retainer (folding top side rail deck)	52714	Zipper assembly (top back curtain)	*53278
Retainer (folding top side rail bumper)	53066		

VENTILATING SYSTEM (FRESH AIR)

Cover (back window outside lower moulding joint)	42436	Frame assembly (back window)-upper	42208
Cover (back window outside moulding joint)-upper	42450	Moulding (back window outside)-lower corner	42406-7
Cover (back window garnish moulding corner joint)	42458	Moulding (back window garnish)-side	42416-7
Frame and upper back panel assembly (back window)-lower	42204	Moulding assembly (back window outside)-side	42478-9
		Moulding (back window outside)-side	42492-3

* Refer to Soft Trim Section

Group Alphabetical Index

Group Name	Group Number	Group Name	Group Number
------------	--------------	------------	--------------

WINDOW (BACK)

Cover (back window and windshield outside lower moulding joint)	42436	Moulding (back window garnish)-upper	42410
Glass (back window)	42006	Moulding (back window outside)-upper	42430
Moulding (back window outside)-lower	42404-5	Moulding (back window outside)-upper	42430-1
		Weatherstrip (back window)	42084

WINDSHIELD

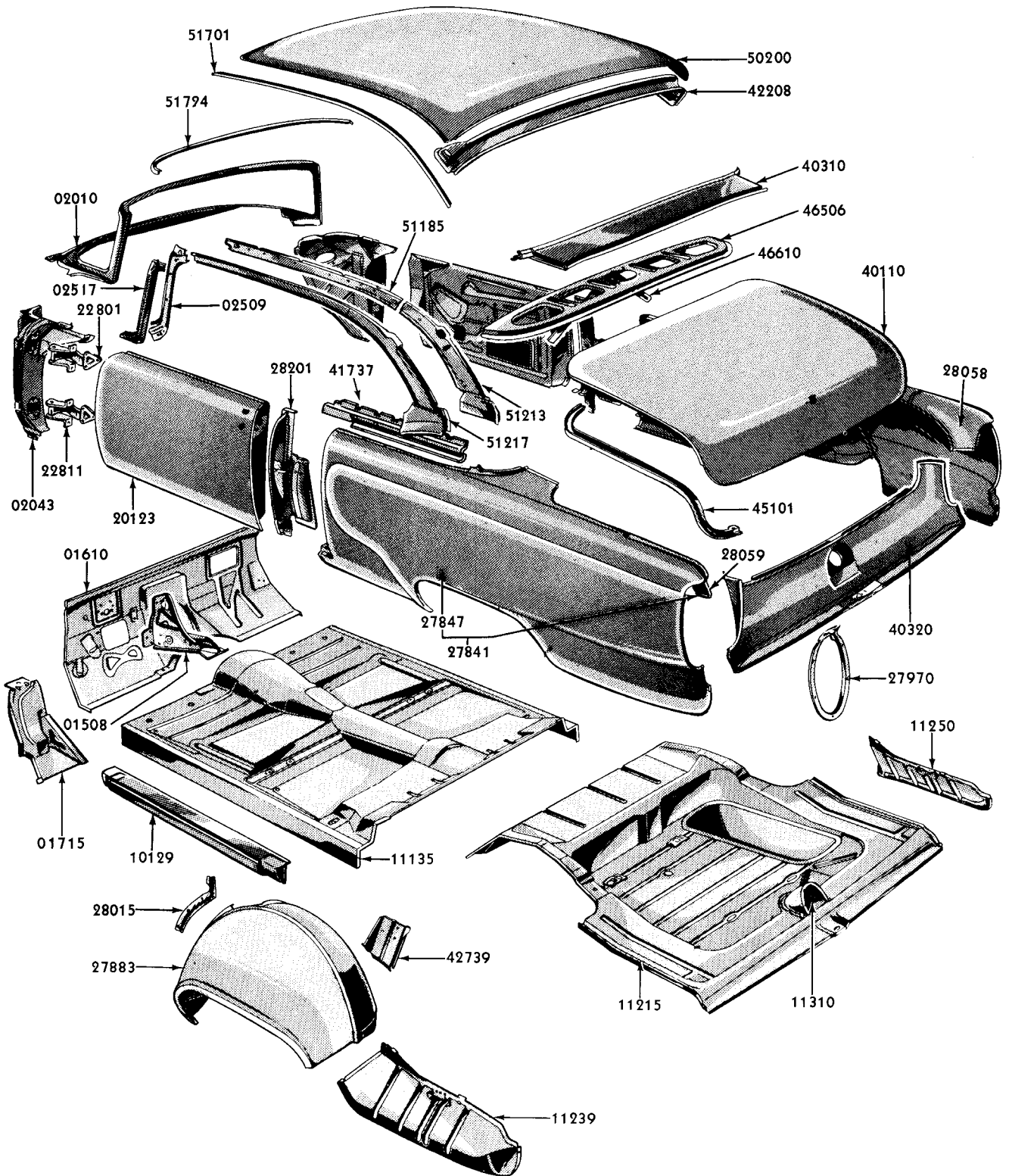
Cover (windshield and back window outside lower moulding joint)	42436	Moulding (windshield header)-inside	03542
Filler (windshield garnish moulding)-lower corner	03642-3	Panel (windshield header)	03410
Glass (windshield)	03100	Plate (windshield header dowel striker)	03474
Moulding (windshield)-outside belt	03148-9	Reinforcement (windshield opening)-lower side	03468-9
Moulding (windshield)-outside-side	03136-7	Retainer assy (windshield outside moulding)-top	03166
Moulding (windshield)-outside top	03144	Retainer (windshield moulding top)-outside	03178
Moulding (windshield garnish)-lower	03626-7	Retainer (windshield side moulding)-outside	03174-5
Moulding (windshield garnish)-side	03598-9	Weatherstrip (windshield)	03110
Moulding (windshield garnish)-upper	03606	Weatherstrip (windshield garnish moulding)-upper	03198
		Welt (windshield garnish lower moulding)	03127

ILLUSTRATION INDEX

	DESCRIPTION	PAGE NO.	
	Arm (Door Check)-Rear Door	59	
	Body Bolt Chart	XXX11	
	Convertible Coupe Top Exterior (Body Type 76)	107	
	Convertible Top-Less Trim (Body Type 76)	115	
	Door Handle	39	
	Door Lock Parts	36	
	Door Parts (Front)-Manual Control	22	
	Door Parts (Front)-Electric Control	23	
	Door Parts-Rear-Manual Control	54	
	Door Weatherstrips	25	
	Door Window Regulators & Link Assy	43	
	Exterior View (Body Type 64A)	XXV111	
	Exterior View (Body Type 58)	XXX	
	Exterior View (Body Type 73)	XX1X	
	Exterior View (Body Type 79)	XXX1	
	Fresh Air Ventilating System	4	
	Glass Top Exterior View (Body Type 64B)	98	
	Instrument Panel	12	
	Interior Garnish Mouldings (Body Type 79)	80	
	Interior Mouldings (Body Type 64)	99	
	Interior View (Body Type 58A)	145	
	Interior View (Body Type 60B)	141	
	Interior View (Body Type 64A)	142	
	Interior View (Body Type 73C)	144	
	Interior View (Body Type 76B)	143	
	Lift Assy (Hydraulic) Folding Top	114	
	Lift Gate Handle (Body Type 79)	91	
	Luggage Compartment Door Handle	92	
	Quarter-Rear-Window Parts	68	
	Quarter Window Regulator-Electric Control	74	
	Rear Window (Body Type 58)	85	
	Rear Window (Body Type 60)	85	
	Rear Window (Body Type 70-73)	86	
	Regulator-Front Door Window-Electric	44	
	Regulator-Rear Door Window-Electric	58	
	4-Way Seat Regulator (Type "B")-Vertical	122	
	4-Way Seat Regulator (Type "B")-Horizontal	122	
	4-Way Seat Regulator (Type "C")-Vertical	123	
	4-Way Seat Regulator (Type "C")-Horizontal	123	
	Robe Cord and Ash Receptacle (Front Seat Back)	135	
	Roof Side Rail & Pillar Weatherstrip Installation	71	
	4-Way Electric Seat Mechanism	131	
	Station Wagon Seat Back Panels (8-Passenger)	126	
	Station Wagon Seats	127	
	Sheet Metal (Model 64)	XX111	
	Sheet Metal (Model 70)	XX1V	
	Sheet Metal (Model 73)	XXV	
	Sheet Metal (Model 76)	XXV1	
	Sheet Metal (Model 79)	XXV11	
	Tail Gate and Lift Gate (Exterior View)	78	
	Tail Gate and Lift Gate (Interior View)	79	
	Windshield (Front & Exterior Mouldings)	8	

MERCURY

BODY PARTS CATALOGUE



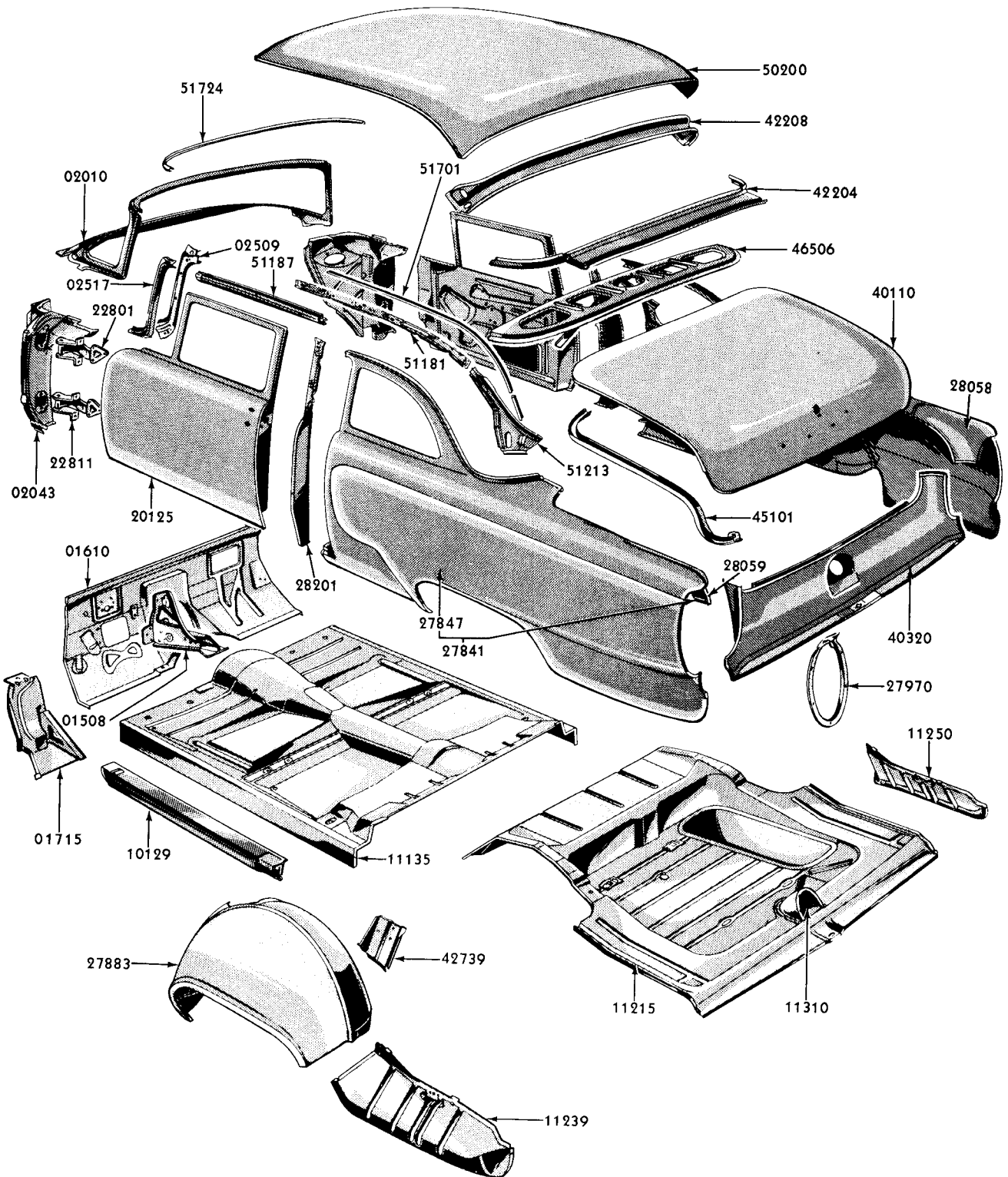
PMB- 82

BODY TYPE (64)

Group numbers only shown on illustration. Order by Part Numbers shown in list of parts.

MERCURY

BODY PARTS CATALOGUE



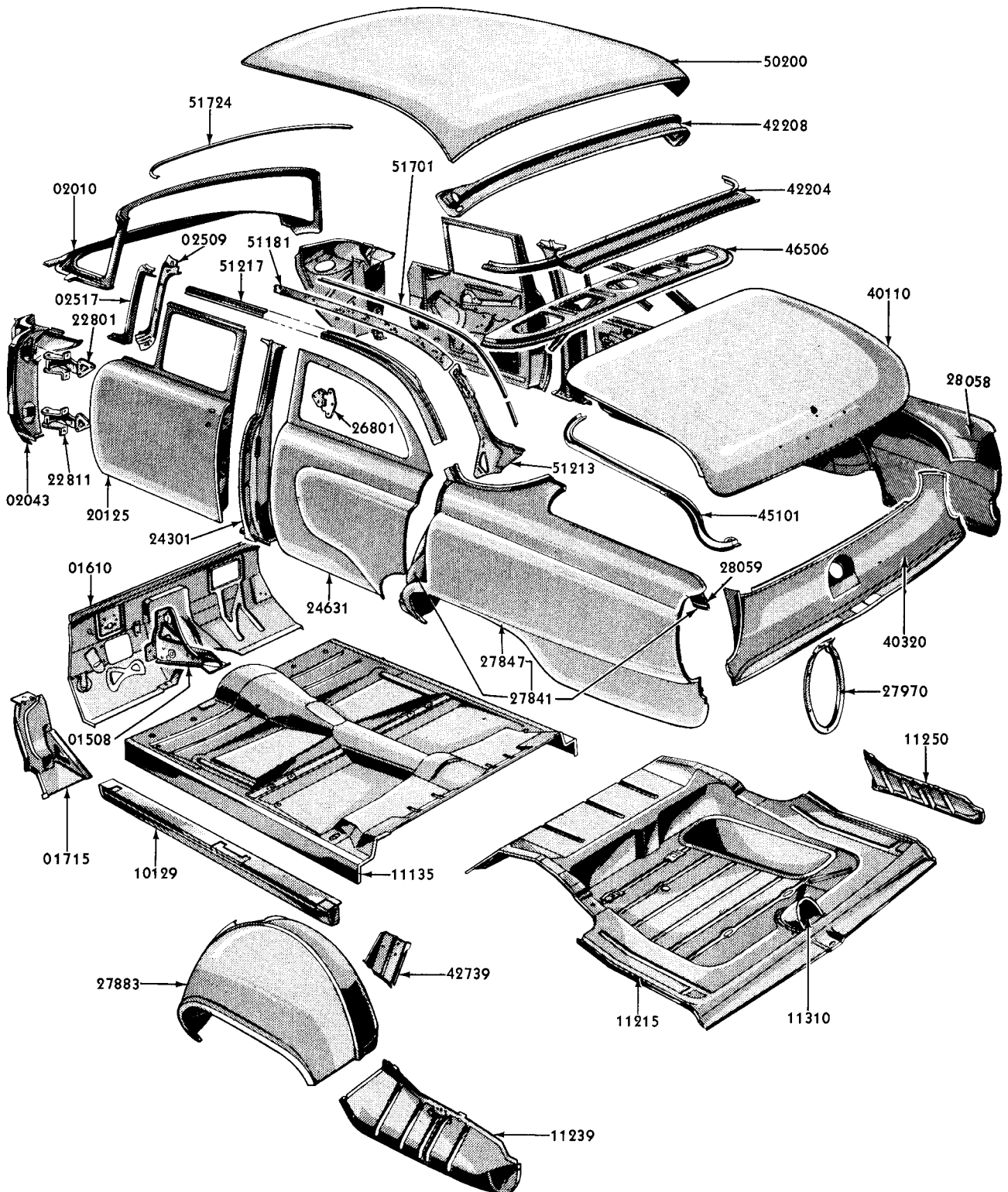
PMB.5

BODY TYPE 70

Group numbers only shown on illustration. Order by Part Numbers shown in list of parts.

MERCURY

BODY PARTS CATALOGUE



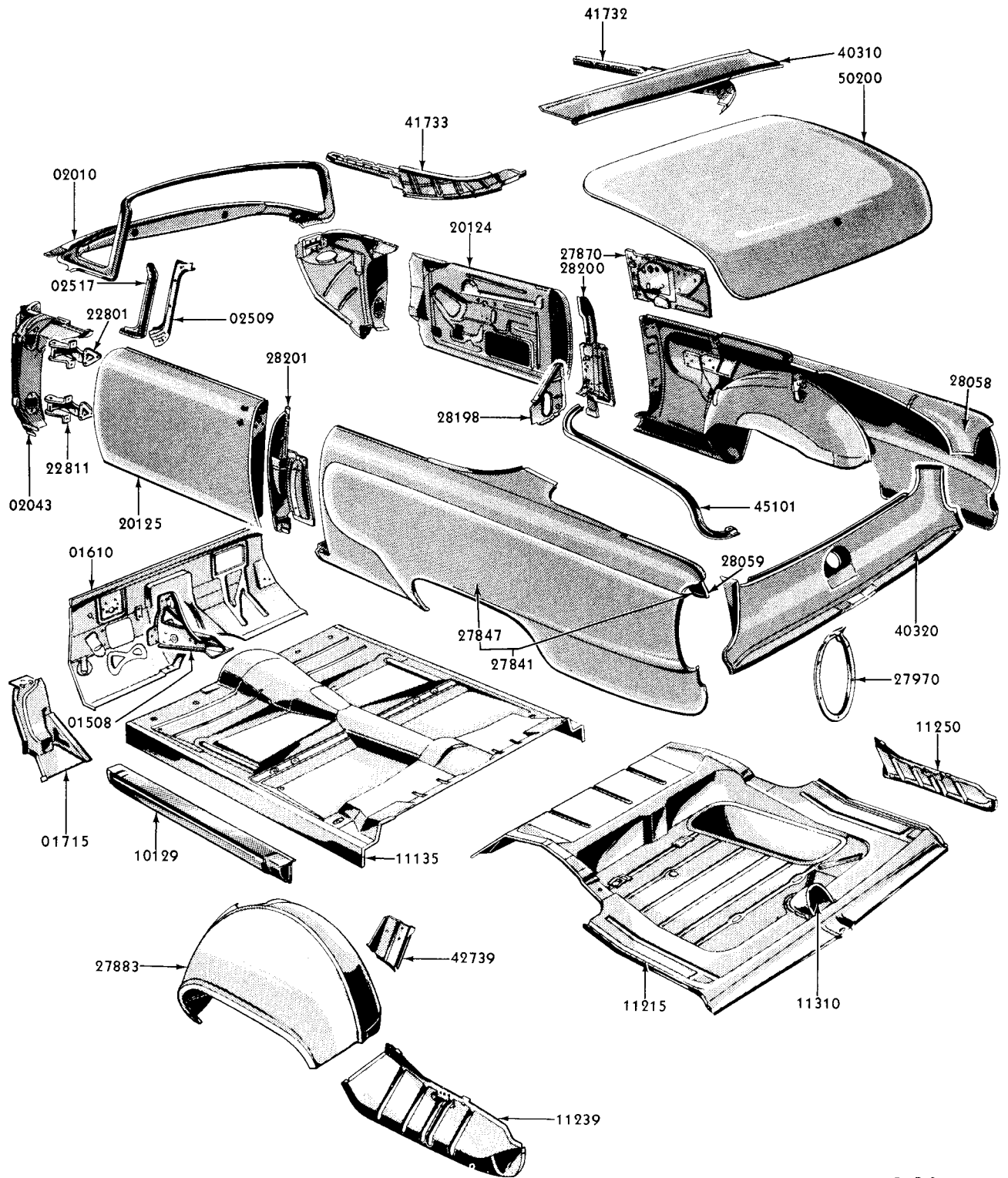
PMB-6

(BODY TYPE 73)

Group numbers only shown on illustration. Order by Part Numbers shown in list of parts.

MERCURY

BODY PARTS CATALOGUE



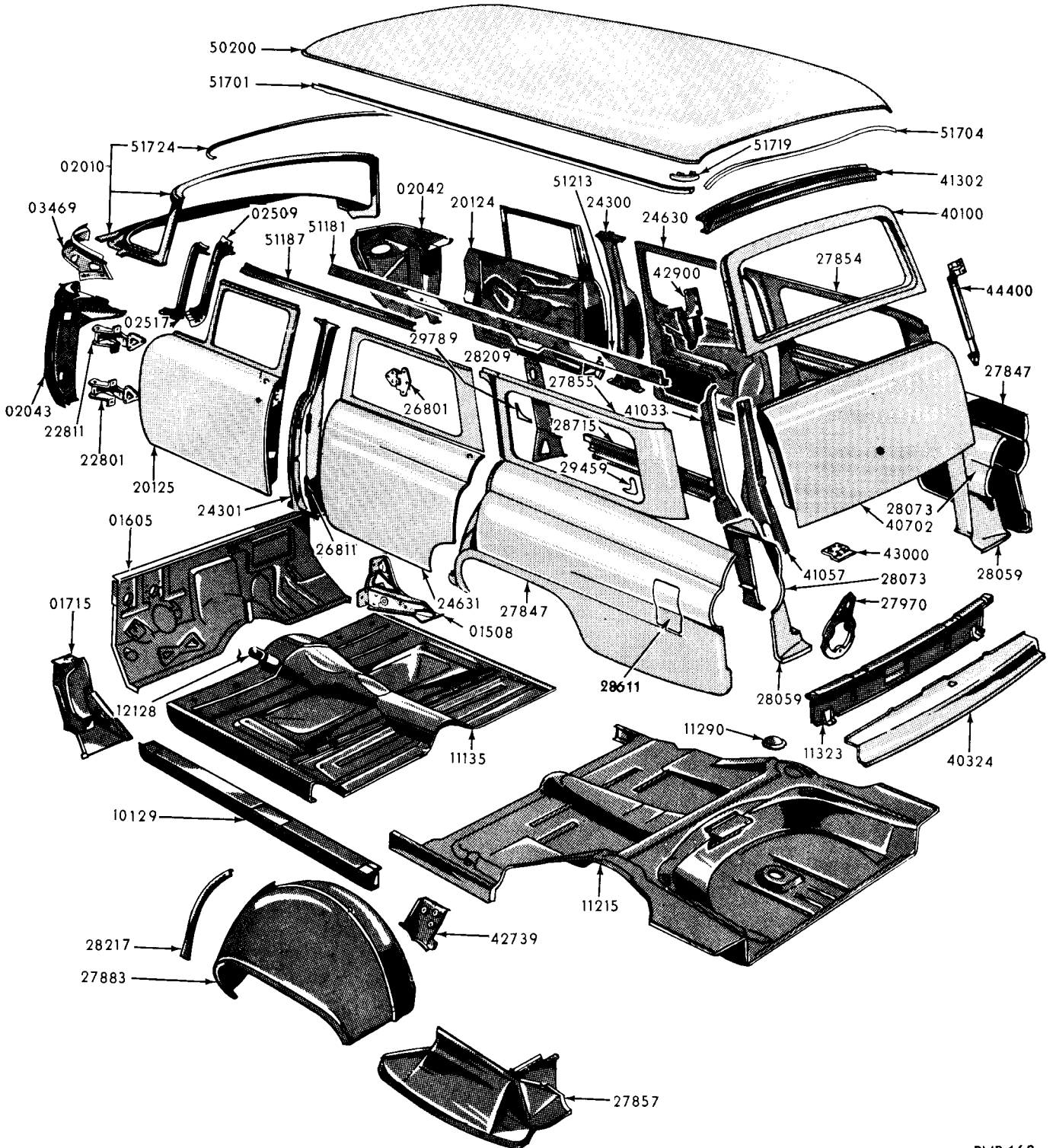
PMB-8

(BODY TYPE 76)

Group numbers only shown on illustration. Order by Part Numbers shown in list of parts.

MERCURY

BODY PARTS CATALOGUE

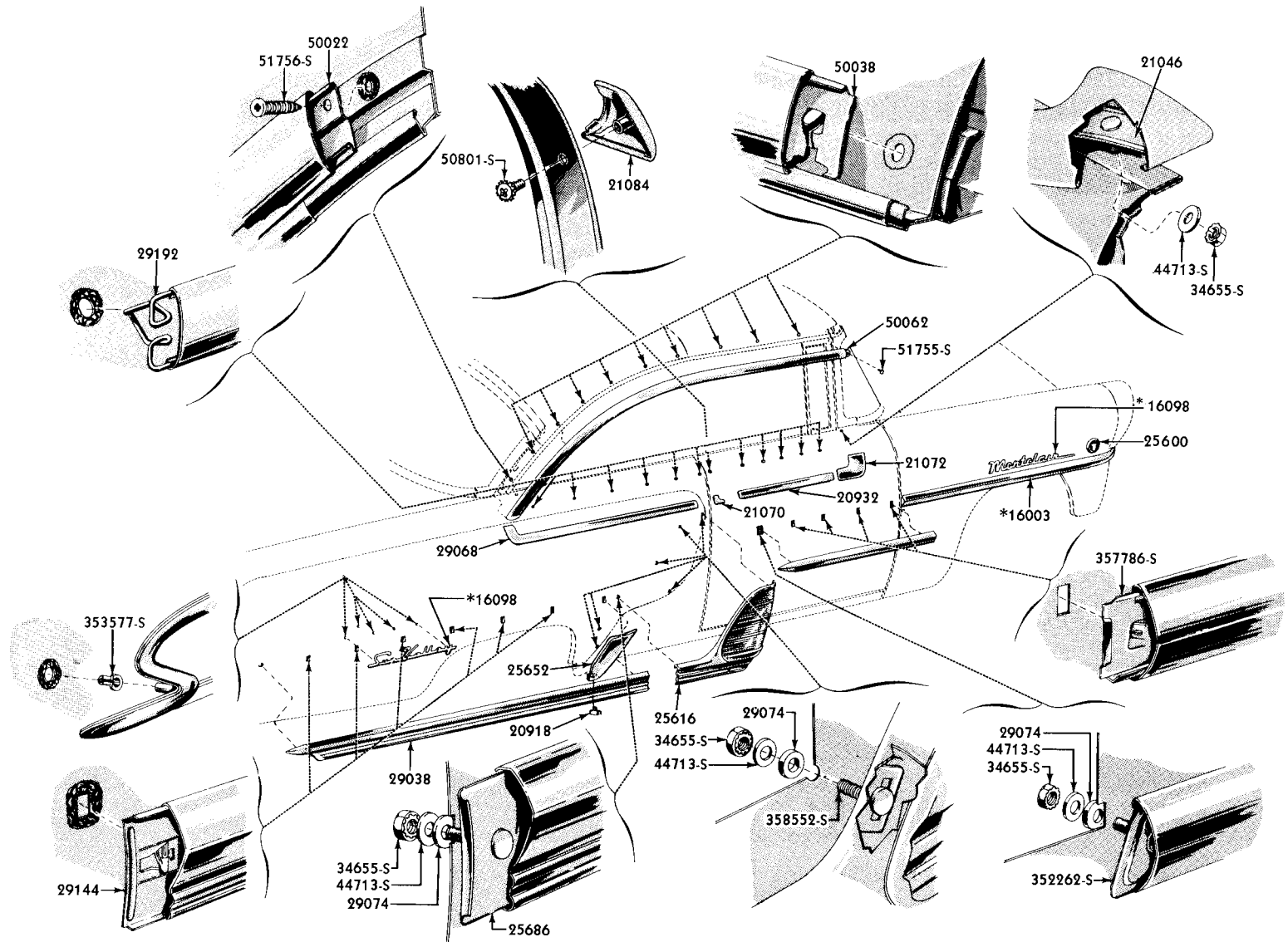


PMB-162

(BODY TYPE 79)

Group numbers only shown on illustration. Order by Part Numbers shown in list of parts.

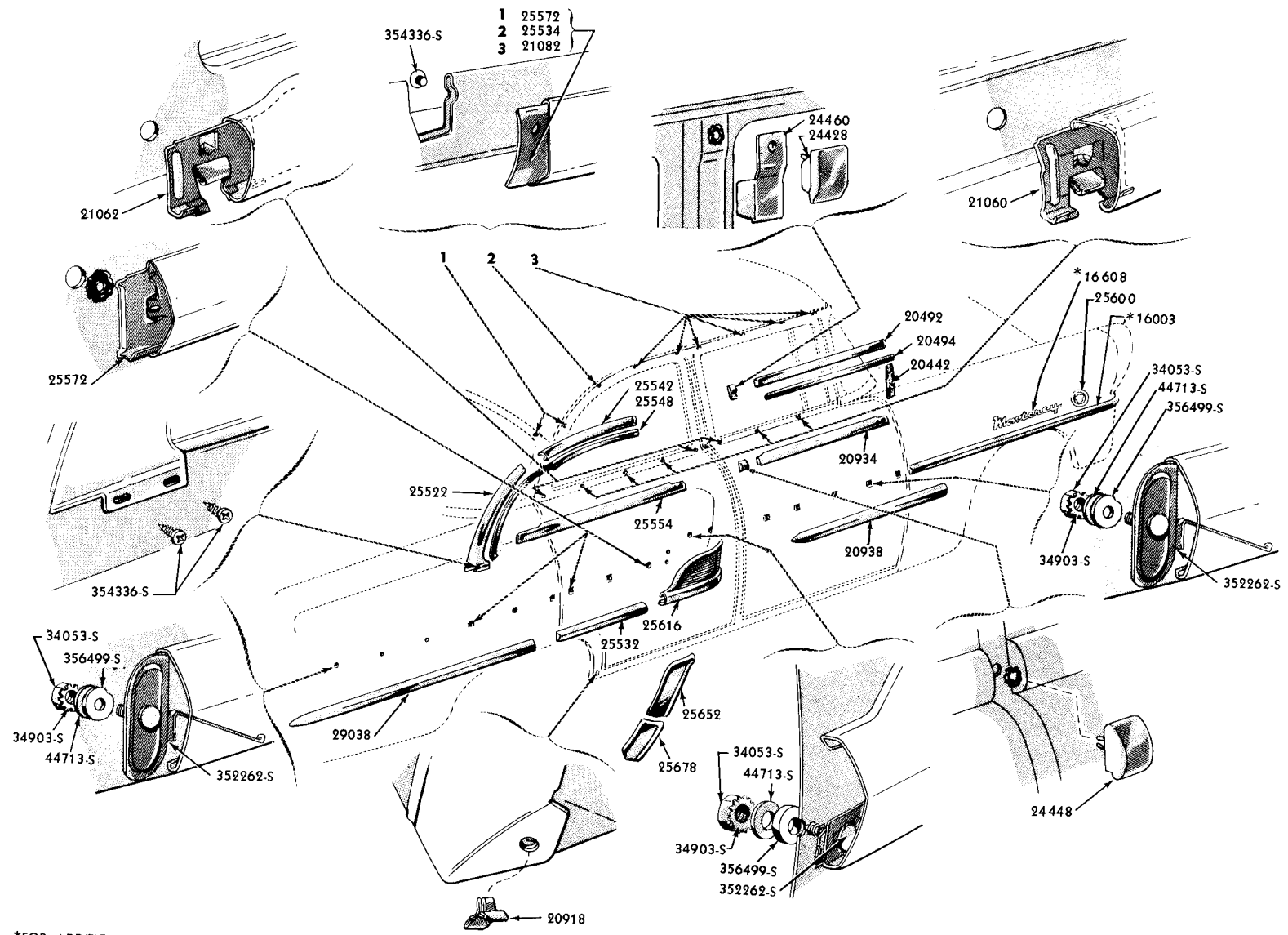
MERCURY



*FOR ADDITIONAL INFORMATION REFER TO CHASSIS PARTS LIST

PMB-42

EXTERIOR VIEW (BODY TYPE 64A)
 Group numbers only shown on illustration. Order by Part Numbers shown in list of parts.



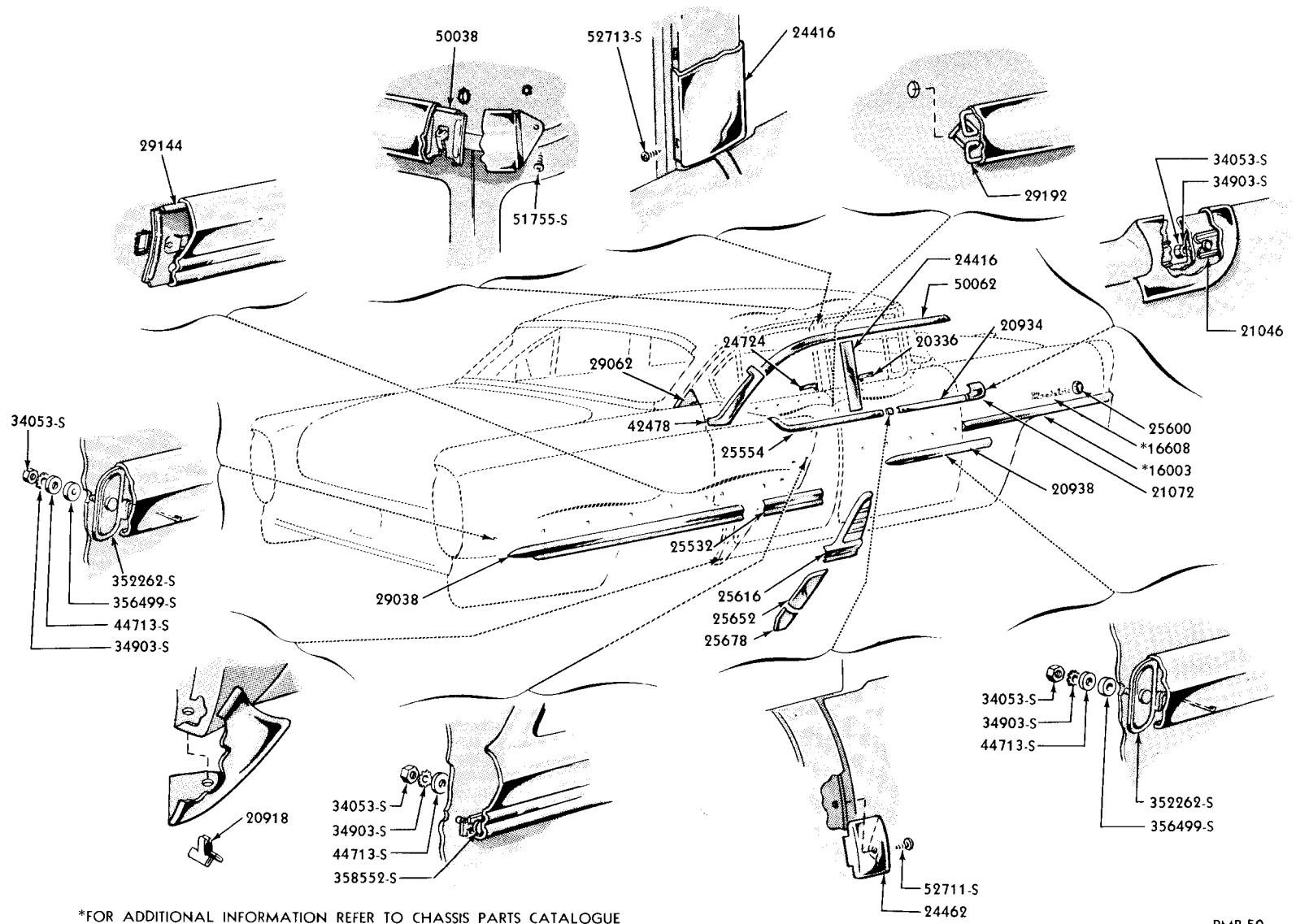
*FOR ADDITIONAL INFORMATION REFER TO CHASSIS PARTS CATALOGUE.

PMB-17

FOUR DOOR SEDAN EXTERIOR VIEW (BODY TYPE 73)
 Group numbers only shown on illustration. Order by Part Numbers shown in list of parts.

MERCURY

BODY PARTS CATALOGUE



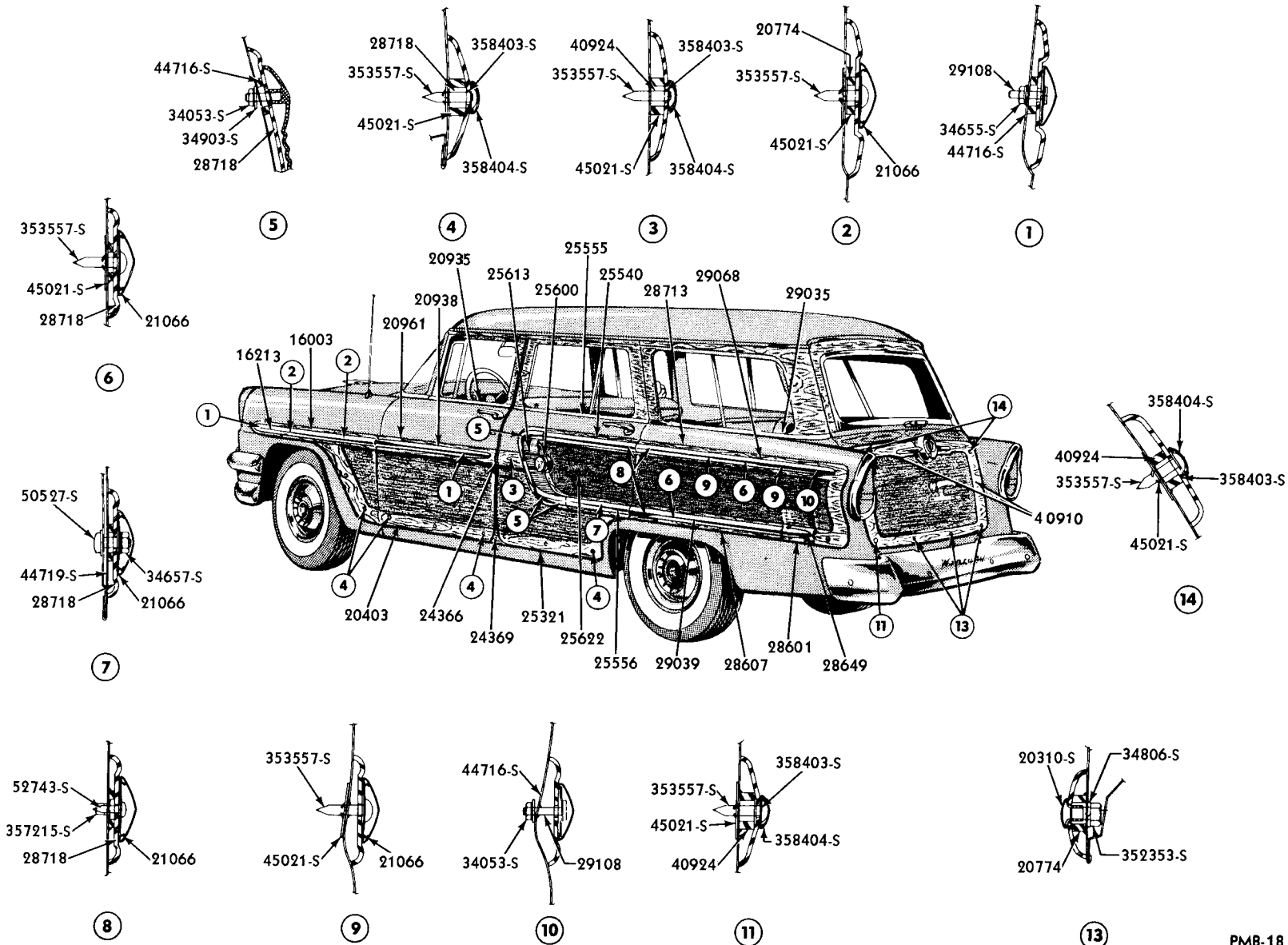
*FOR ADDITIONAL INFORMATION REFER TO CHASSIS PARTS CATALOGUE

PMB-50

EXTERIOR VIEW (BODY TYPE 58)

Group numbers only shown on illustration. Order by Part Numbers shown in list of parts.

MERCURY



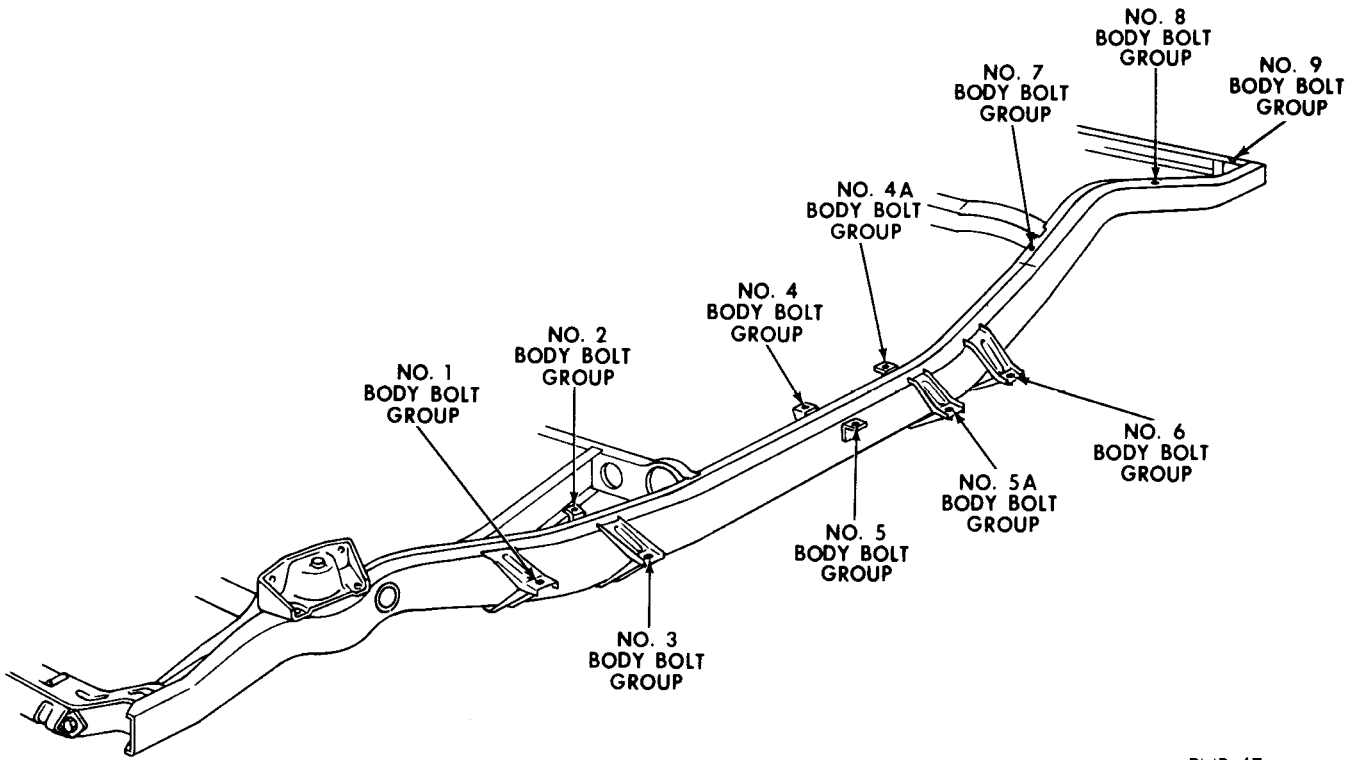
STATION WAGON EXTERIOR VIEW (BODY TYPE 79)

Group numbers only shown on illustration. Order by Part Numbers shown in list of parts.

MERCURY

BODY PARTS CATALOGUE

1955 MERCURY BODY BOLT CHART



PMB-47

YEAR 19__	BODY TYPES	REMARKS	PART NUMBER	NO. REQ'D
--------------	------------	---------	-------------	--------------

NO. 1 BODY BOLT GROUP

55	BV	Bolt (hex head)-7/16"-14 x 1-3/4"	353423-S8	2
55	BV	Washer (flat)-29/64" I. D. -1" O. D. x 5/32"	356420-S8	2
55	BV	Washer (lock)-15/32" I. D. -27/32" O. D. x 1/16"	34921-S7	2
55	BV	Spacer-11/32" I. D. -1-3/4" O. D. x 7/8"	BN 7000134-A	2
55	BV	Nut (Lock)-7/16"-14	34446-S8	2

NO. 2 BODY BOLT GROUP

55	BV	Plug (rubber)-1-13/16" x 7/16"	352285-S	2
55	BV except 76B	Bolt (shoulder)-3/8"-16 x 2-3/8"	353963-S8	2
55	BV except 76B	Washer (internal tooth)-7/16"	353950-S7	2
55	BV except 76B	Insulator-15/32" I. D. -1-3/8" O. D. x 15/32"	BV 7000154-A	2
55	BV except 76B	Spacer (rubber)-1/2"	BV 7000141-A	2
55	BV76B	Bolt (hex head)-3/8"-16 x 2"	353686-S100	2
55	BV76B	Washer (internal tooth)-3/8"	351994-S7	2
55	BV76B	Spacer (steel)-3/8"	353953-S	2

MERCURY

BODY PARTS CATALOGUE

YEAR 19____	BODY TYPES	REMARKS	PART NUMBER	NO. REQ'D
----------------	------------	---------	-------------	--------------

NO. 3 BODY BOLT GROUP

55	BV	Plug (rubber)-1-13/16" x 7/16"	352285-S	2
55	BV except 76B	Bolt (shoulder)-3/8"-16 x 2-53/64"	353964-S8	2
55	BV except 76B	Washer (internal tooth)-7/16"	353950-S7	2
55	BV except 76B	Insulator-15/32" I. D. -1-3/8" O. D. x 15/32"	BV 7000154-A	2
55	BV except 76B	Spacer-7/8" I. D. -1-3/4" O. D. x 1"	BV 7000134-B	2
55	BV except 76B	Washer (flat)-3/8"	353954-S8	as req'd
55	BV76B	Bolt (hex head)-3/8"-16 x 3-11/32"	353677-S8	2
55	BV76B	Washer (internal tooth)-3/8"	351994-S7	2
55	BV76B	Spacer-5/8" I. D. -1-1/2" O. D. x 13/16"	BC 7600134-A	2

NO. 4 BODY BOLT GROUP

55	BV	Plug (rubber)-1-13/16" x 7/16"	352285-S	2
55	BV except 76B	Bolt (shoulder)-3/8"-16 x 2-3/8"	353963-S8	2
55	BV except 76B	Washer (internal tooth)-7/16"	353950-S7	2
55	BV except 76B	Insulator-15/32" I. D. -1-3/8" O. D. x 15/32"	BV 7000154-A	2
55	BV except 76B	Spacer (rubber)-1/2"	BV 7000141-A	2
55	BV76B	Bolt (hex head)-3/8"-16 x 2"	353686-S100	2
55	BV76B	Washer (internal tooth)-3/8"	351994-S7	2
55	BV76B	Spacer (steel)-3/8"	353953-S	2

NO. 4A BODY BOLT GROUP

55	BV60B-60E-64A-64B	Bolt (hex head)-3/8"-16 x 2"	353686-S8	2
55	BV60B-60E-64A-64B	Washer (internal tooth)-3/8"	351994-S7	2
55	BV60B-60E-64A-64B	Spacer-3/8" I. D. -1-3/8" O. D. x 1/2"	BA 7000154-B	2
55	BV60B-60E-64A-64B	Spacer (rubber)-1/2"	BV 7000141-A	2

NO. 5 BODY BOLT GROUP

55	BV	Plug (rubber)-1-13/16" x 7/16"	352285-S	2
55	BV except 76B	Bolt (shoulder)-3/8"-16 x 2-7/8"	353960-S8	2
55	BV except 76B	Washer (internal tooth)-7/16"	353950-S7	2
55	BV except 76B	Insulator-15/32" I. D. -1-3/8" O. D. x 15/32"	BV 7000154-A	2
55	BV except 76B	Spacer-7/8" I. D. -1-3/4" O. D. x 7/16"	BV 7000134-B	2
55	BV76B	Washer (internal tooth)-3/8"	351994-S7	2
55	BV76B	Spacer-1-3/4" x 5/16"	BC 7600134-A	2
55	BV76B	Bolt (hex head)-3/8"-16 x 2-5/8"	353684-S100	2
55	BV76B	Retainer	353690-S2	2

NO. 5A BODY BOLT GROUP

55	BV60B-60E-64A-64B-76B	Bolt (hex head)-3/8"-16 x 2-5/8"	353684-S100	2
55	BV60B-60E-64A-64B	Washer (flat)-3/8"	353954-S8	as req'd
55	BV60B-60E-64A-64B-76B	Washer (internal tooth)-3/8"	351994-S7	2
55	BV64A-64B	Spacer (rubber)-1/2"	BV 7000134-B	2
55	BV76B	Spacer-5/8" I. D. -1-1/2" O. D. x 13/16"	BC 7600134-A	2

MERCURY

BODY PARTS CATALOGUE

YEAR 19	BODY TYPES	REMARKS	PART NUMBER	NO. REQ'D
------------	------------	---------	-------------	--------------

NO. 6 BODY BOLT GROUP

55	BV	Plug (rubber)-1-13/16" x 7/16"	352285-S	2
55	BV	Washer (flat)-3/8"	353954-S8	as req'd
55	BV except 76B	Bolt (shoulder)-3/8"-16 x 3-3/8"	353964-S8	2
55	BV except 76B	Washer (internal tooth)-7/16"	353950-S7	2
55	BV except 76B	Absorber (rubber)	BV 7000154-A	2
55	BV except 76B	Spacer-7/8" I. D. -1-3/4" O. D. x 1"	BV 7000134-A	2
55	BV76B	Bolt (hex head)-3/8"-16 x 3-11/32"	353677-S8	2
55	BV76B	Washer (internal tooth)-3/8"	351994-S7	2
55	BV76B	Spacer-5/8" I. D. -1-1/2" O. D. x 13/16"	BC 7600134-A	2

NO. 7 BODY BOLT GROUP

55	BV	Plug (rubber)-1-13/16" x 7/16"	352285-S	2
55	BV	Nut-3/8"-16	34444-S8	2
55	BV except 76B	Bolt (hex head)-3/8"-16 x 1-7/8"	353965-S8	2
55	BV except 76B	Washer (internal tooth)-7/16"	353950-S7	2
55	BV except 76B	Spacer (rubber)-1/2"	BV 7000141-A	2
55	BV76B	Spacer (steel)-3/8"	353953-S	2
55	BV76B	Bolt (hex head)-3/8"-16 x 1-3/4"	353686-S100	2
55	BV76B	Washer (internal tooth)-3/8"	351994-S7	2

NO. 8 BODY BOLT GROUP

55	BV	Plug (rubber)-1-13/16" x 7/16"	352285-S	2
55	BV except 76B	Bolt (hex head)-3/8"-16 x 1-7/8"	353965-S8	2
55	BV except 76B	Washer (internal tooth)-7/16"	353950-S7	2
55	BV except 76B	Absorber (rubber)	BV 7000154-A	2
55	BV except 76B	Spacer (rubber)-1/2"	BV 7000141-A	2
55	BV76B	Spacer (steel)-3/8"	353953-S	2
55	BV76B	Bolt (hex head)-3/8"-16 x 2"	353686-S100	2
55	BV76B	Washer (internal tooth)-3/8"	351994-S7	2

NO. 8A BODY BOLT GROUP

55	BV79B-79C	Bolt (hex head)-3/8"-16 x 1-7/8"	353965-S8	2
55	BV79B-79C	Washer (internal tooth)-7/16"	353950-S7	2
55	BV79B-79C	Spacer-7/16" I. D. -1-15/16" O. D. x 3/4"	BV 7000154-A	2
55	BV79B-79C	Spacer-3/4" I. D. -1-3/4" square x 1/2"	BV 7000141-A	2
55	BV79B-79C	Nut-3/8"-16	351064-S5	2

MERCURY

BODY PARTS CATALOGUE

YEAR 19__	BODY TYPES	REMARKS	PART NUMBER	NO. REQ'D
Group 0045 WASHER (BODY TO FRAME ANTI-SQUEAK)-LARGE				
55	BV	To attach clamp to battery tray	78 700045-A	2
Group 3687-9 CYLINDER & KEY SET				
55	BV except 79B-79C	Consists of ignition lock cylinder with keys and door lock cylinders	BV 3687-A	1
55	BV except 79B-79C	Consists of glove compartment lock assy with keys and rear deck lock cylinder	BV 3689-A	1
55	BV79B-79C	Consists of ignition lock cylinder with keys, door lock cylinders glove compartment lock assy with keys, and rear window lock cylinder	BV 3687-B	1
Group 00134 SPACER (BODY BOLT)				
55	BV except 76B	Rubber-7/8" I.D. x 1-3/4" O.D. x 1"	BV 7000134-B	6or8
55	BV76B	Steel-5/8" I.D. x 1-1/2" O.D. x 13/16"	BC 7600134-A	8
Group 00141 SPACER (BODY BOLT AT FRAME)				
55	BV except 76B	Rubber-1/2" x 1-3/4" with 3/4" hole through the center	BV 7000141-A	as req'd
Group 00145 SHIM (BODY MOUNTING)				
55	BV	Steel-13/32" I.D. x 1-7/8" O.D. x 7/32"	BC 7000145-A	as req'd
55	BV except 79B-79C	Steel-13/32" I.D. x 1-7/8" O.D. x 7/64"	BC 7000145-B	as req'd
55	BV except 79B-79C	Steel-13/32" I.D. x 1-7/8" O.D. x 21/64"	BC 7000145-C	as req'd
Group 00154 INSULATOR (BODY BOLT)				
55	BV	Rubber	BA 7000154-B	2
55	BV except 76B	Rubber-15/32" I.D. x 1-15/16" O.D.	BV 7000154-A	as req'd
Group 01464 INSULATOR (AIR VENT DUCT)-AT HOOD HINGE				
55	BV	Fibre padding	BC 7001464-A	2
Group 01508 SUPPORT ASSEMBLY (BRAKE PEDAL)				
55	BV	Used with all transmissions	BV 7001508-A	1
55	BV	Screw and Washer Assy (hex hd)-5/16"-24 x 3/4"	42905-S8	1
55	BV	Screw (hex washer head)-No. 14-10 x 5/8"	31498-S8	2
55	BV	Washer (flat)-5/16"	44725-S8	2
Group 01546 SUPPORT (ACCELERATOR SHAFT)				
55	BV		BC 7001546-A	1
Group 01550 REINFORCEMENT (BRAKE PEDAL SUPPORT DASH PANEL)-INNER				
55	BV		BR 7001550-A	1

MERCURY

BODY PARTS CATALOGUE

YEAR 19	BODY TYPES	REMARKS	PART NUMBER	NO. REQ'D
Group 01552 REINFORCEMENT (BRAKE PEDAL SUPPORT DASH PANEL)-OUTER				
55	BV		BR 7001552-A	1
Group 01554 BRACE (BRAKE PEDAL SUPPORT)-TO COWL TOP				
55	BV		BR 7001554-A	1
Group 01560 REINFORCEMENT (BRAKE PEDAL SUPPORT COWL TOP)-OUTER				
55	BV		BR 7001560-A	1
Group 01610 PANEL ASSEMBLY (DASH)				
55	BV		BV 7001610-A	1
55	BV	Grommet (rubber)-speed cable	352961-S	1
55	BV	Plug (button)-5/8"	357042-S	1
55	BV	Plug Button (rubber)-1-7/8"	357216-S	2
Group 01641 COVER (HAND BRAKE CABLE OPENING IN DASH)				
55	BV	Forming board	B5A 7001641-A	1
55	BV	Screw (pan head cross recess tapping)-No. 6-18 x 3/8"	52718-S8	2
Group 01642 CLAMP (HAND BRAKE CABLE OPENING COVER)				
55	BV		BA 7001642-A	1
Group 01670 INSULATOR ASSEMBLY (DASH)				
55	BV		BV 7001670-A	1
55	BV except 76B-79B-79C	Used with Air Conditioning Unit	BV 7001670-B	1
55	BV	Clip (dash liner)	357036-S32	10
Group 01683 PLATE ASSEMBLY (STEERING COLUMN OPENING COVER)-L. H.				
55	BV	Used with Standard Transmission	BV 7001683-A	1
55	BV	Screw (hex hd)-No. 10-12 x 5/8"	42134-S8	4
Group 01694 GROMMET (DASH PANEL OVERDRIVE CABLE)				
55	BV	Rubber	1A 7001694	1
Group 01698-9 PLATE (STEERING COLUMN OPENING COVER)				
55	BV	R. H.	BV 7001698-A	1
55	BV	L. H. -Used with Automatic Transmission	BV 7001699-B	1
55	BV	Screw (hex head)-No. 10-12 x 5/8"	42134-S8	4
Group 01714 BRACE ASSEMBLY (DASH TO FRAME)-RIGHT SIDE				
55	BV		B5A 7001714-A	1

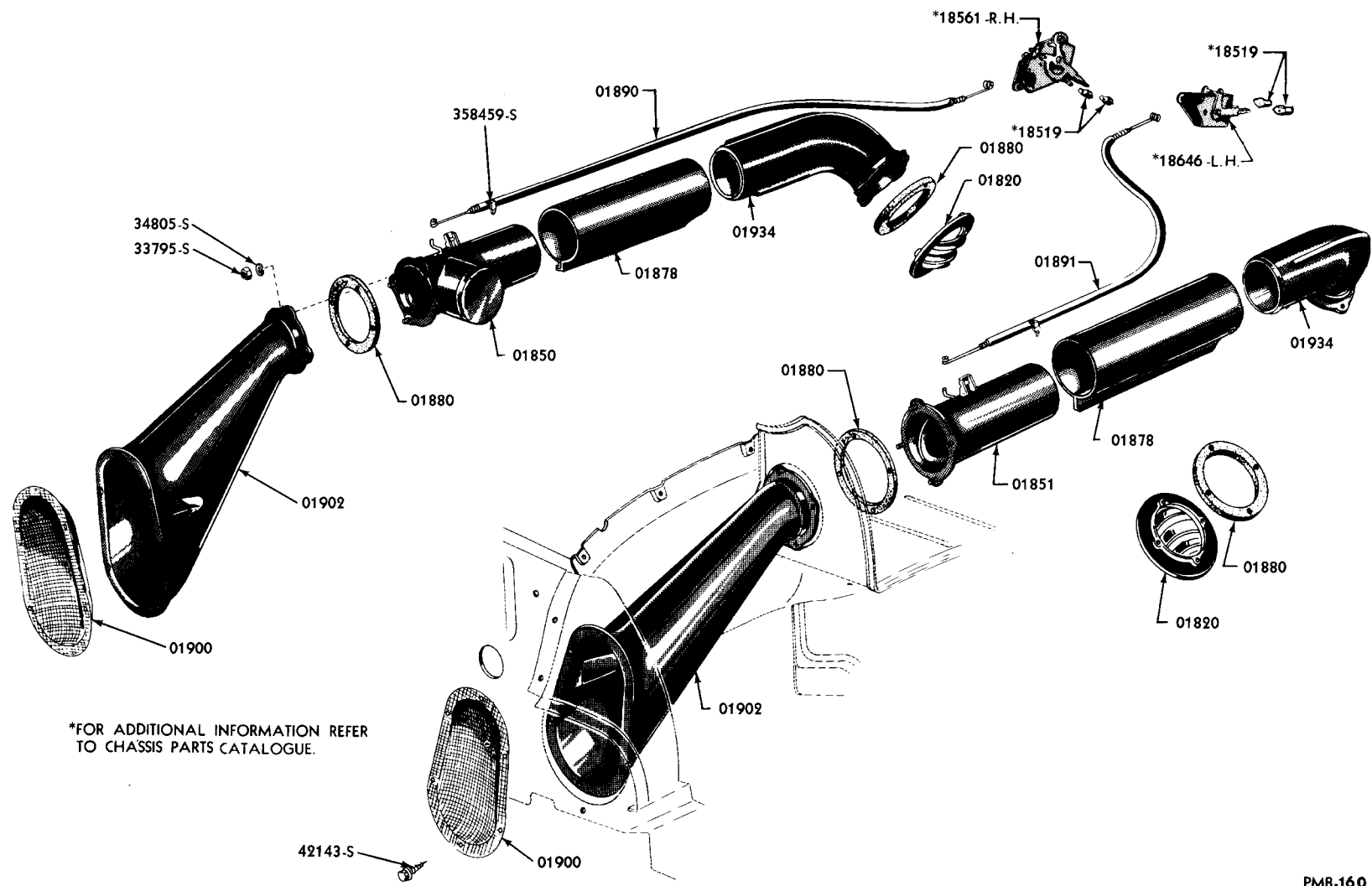
MERCURY

BODY PARTS CATALOGUE

YEAR 19__	BODY TYPES	REMARKS	PART NUMBER	NO. REQ'D
Group 01715 BRACE ASSEMBLY (DASH TO FRAME)-LEFT HAND SIDE				
55	BV		B5A 7001715-A	1
Group 01740 SPACER (BODY TO FRAME)				
55	BV76B-79B-79C	Steel	8M 7001740	2or14
Group 01786 SILENCER (DASH PANEL LOWER)-LOWER				
55	BV	Paper Felt	BC 7001786-A	1
Group 01820 REGISTER (VENTILATOR)				
55	BV	Die Cast	BV 7001820-A	2
Group 01844 HANDLE (FRESH AIR DUCT REGISTER DOOR)				
55	BV	Plastic	BA 7001844-A	1
55	BV	Lockwasher-No. 6	34801-S7	2
55	BV	Screw (pan head)-No. 8-18 x 3/8"	33176-S13	2
Group 01846 COVER (DASH PANEL HEATER OPENING)				
55	BV	Use on jobs without heater	B5A 7001846-A	1
55	BV	Screw (hex head)-No. 10-12 x 1/2"	42007-S8	6
55	BV	Screw (round head)-No. 8-15 x 1/2"	32858-S2	1
Group 01850-1 VALVE ASSEMBLY (FRESH AIR DUCT)				
55	BV	R. H. -7" long	BV 7001850-A	1
55	BV	L. H. -7" long	BV 7001851-A	1
55	BV	Lockwasher-1/4"	34805-S8	4or8
55	BV	Nut (hex)-1/4"-20	33795-S7	8
55	BV	Screw (pan head cross recess)-No. 10-12 x 5/8"	52735-S8	1
Group 01862 DAMPER ASSEMBLY (BODY VENT AIR VALVE)				
55	BV		8A 7001862-B	2
55	BV	Screw (hex washer hd)-No. 8-15 x 5/8"	42133-S8	1
Group 01878 CONNECTOR (BODY VENT AIR DUCT)				
55	BV	Rubber cylinder-4" I. D. x 13" long	BN 7001878-B	2
55	BV	Nut (square)-No. 10A	357033-S32	6
55	BV	Screw (round head)-No. 10-12 x 2"	354563-S8	6
Group 01880 GASKET (AIR VALVE)				
55	BV	Sponge Rubber 1/8" x 4" I. D. x 5-1/2" O. D. -with four 5/16" holes equally spaced	BA 7001880-A	2

MERCURY

BODY PARTS CATALOGUE



*FOR ADDITIONAL INFORMATION REFER TO CHASSIS PARTS CATALOGUE.

PMB-160

FRESH AIR VENTILATING SYSTEM

Group numbers only shown on illustration. Order by Part Numbers shown in list of parts.

MERCURY

BODY PARTS CATALOGUE

YEAR 19__	BODY TYPES	REMARKS	PART NUMBER	NO. REQ'D
Group 01890-1 CABLE ASSEMBLY (FRESH AIR INLET CONTROL)-USED WITH HEATER				
55	BV	R. H. -Length 67-25/32"	FDK 7001890-C	1
55	BV	L. H. -Length 34-7/8"	FDK 7001891-C	1
55	BV	Clip (wire)	357442-S32	2
Group 01890-1 CABLE ASSEMBLY (FRESH AIR INLET CONTROL)-USED WITHOUT HEATER				
55	BV	R. H. -length 66-3/4"	FDK 7001890-B	1
55	BV	L. H. -length 36-3/4"	FDK 7001891-B	1
55	BV	Bolt (hex head)-No. 10-32 x 3/8"	350136-S7	2
55	BV	Clip (wire)	356668-S32	2
55	BV	Grommet	352874-S	1
55	BV	Screw (pan hd)-No. 10-12 x 5/8"	52735-S8	2
Group 01900 SCREEN (VENTILATING AIR DUCT)-FRONT				
55	BV	Steel Wire Mesh	B5A 7001900-B	2
55	BV	Screw (hex washer head)-No. 14-10 x 3/4"	42143-S8	12
Group 01902 DUCT ASSEMBLY (VENT AIR)				
55	BV		B5A 7001902-A	2
55	BV	Nut (hex)-1/4"-20	33795-S7	8
55	BV	Washer (external tooth)-1/4"	34940-S7	8
Group 01934 DUCT ASSEMBLY (VENT AIR OUTLET)				
55	BV		B5A 7001934-B	2
55	BV	Bolt (hex head)-1/4"-20 x 5/8"	20324-S8	6
55	BV	Nut (hex)-1/4"-20	33795-S7	2or6
55	BV	Washer (lock)-1/4"	34805-S8	2or6
Group 02010 PANEL ASSEMBLY (COWL TOP)				
55	BV58A-64A-64B	For Models 58A-64A add B5A 6451724-A Front Drip Moulding	B6A 6402010-A	1
55	BV60B-60E		B5A 6002010-B	1
55	BV70B-73B-73C-79B-79C		B6A 7002010-A	1
55	BV76B		BJ 7602010-A	1
55	BV	Screw and washer assy (hex head)-5/16-24 x 7/8"	43264-S8	2
55	BV	Washer (flat)-5/16"	44724-S8	2
55	BV	Body Sealer	M 5335-B	as req'd

MERCURY

BODY PARTS CATALOGUE

YEAR 19	BODY TYPES	REMARKS	PART NUMBER	NO. REQ'D
Group 02042-3 PILLAR AND PANEL ASSEMBLY (COWL SIDE AND BODY FRONT)				
55	BV60B-60E-70B-73B-73C-79B-79C	R. H.	BV 7002042-B	1
55	BV60B-60E-70B-73B-73C-79B-79C	L. H.	BV 7002043-B	1
55	BV58A-64A-64B-76B	R. H.	BV 7602042-A	1
55	BV58A-64A-64B-76B	L. H.	BV 7602043-A	1
55	BV	Plug (hole button)-1-1/2" dia.	352285-S	1
55	BV	Screw and washer assy (hex hd)-5/16"-24 x 7/8"	42364-S8	4
55	BV	Washer (flat)-5/16"	44724-S8	4
Group 02354-5 RETAINER (COWL CARDBOARD)				
55	BV60B-60E-70B-73B-73C-79B	R. H.	B5A 7002354-AP	1
55	BV60B-60E-70B-73B-73C-79B	L. H.	B5A 7002355-AP	1
55	BV58A-64A-64B-76B-79C	R. H.	BV 7602354-AP	1
55	BV58A-64A-64B-76B-79C	L. H.	BV 7602355-AP	1
Group 02368-9 MOULDING ASSEMBLY (COWL TRIM)				
55	BV58A-64A-64B-76B-79C	R. H. -Rustless Steel-9-3/8" long	BV 7602368-A	1
55	BV58A-64A-64B-76B-79C	L. H. -Rustless Steel-9-3/8" long	BV 7602369-A	1
Group 02508-9 PILLAR (FRONT BODY UPPER)-INNER				
55	BV58A	R. H.	BV 5802508-A	1
55	BV58A	L. H.	BV 5802509-A	1
55	BV60B-60E	R. H.	B5A 6002508-C	1
55	BV60B-60E	L. H.	B5A 6002509-C	1
55	BV64A-64B	R. H.	B5A 6402508-A	1
55	BV64A-64B	L. H.	B5A 6402509-A	1
55	BV70B-73B-73C-79B-79C	R. H.	B5A 7002508-B	1
55	BV70B-73B-73C-79B-79C	L. H.	B5A 7002509-B	1
55	BV76B	R. H.	B5A 7602508-A	1
55	BV76B	L. H.	B5A 7602509-A	1

MERCURY

BODY PARTS CATALOGUE

YEAR 19___	BODY TYPES	REMARKS	PART NUMBER	NO. REQ'D
Group 02516-7 PILLAR (FRONT BODY UPPER)-OUTER				
55	BV58A	R. H.	BV 5802516-A	1
55	BV58A	L. H.	BV 5802517-A	1
55	BV60B-60E	R. H. -Used on Units with Windlace on upper pillar	B5A 6002516-B	1
55	BV60B-60E	L. H. -Used on Units with Windlace on upper pillar	B5A 6002517-B	1
55	BV64A-64B	R. H. -Used on Units without Windlace on upper pillar	B5A 6002516-C	1
55	BV64A-64B	L. H. -Used on Units without Windlace on upper pillar	B5A 6002517-C	1
55	BV64A-64B	R. H.	B5A 6402516-A	1
55	BV64A-64B	L. H.	B5A 6402517-A	1
55	BV70B-73B-73C-79B-79C	R. H.	B5A 7002516-B	1
55	BV70B-73B-73C-79B-79C	L. H.	B5A 702517-B	1
55	BV76B	R. H.	BN 7602516-A	1
55	BV76B	L. H.	BN 7602517-A	1
Group 02594-5 RETAINER (FRONT BODY PILLAR WEATHERSTRIP)-UPPER				
55	BV60B-60E-64A-64B	R. H. -14-23/32" long-Cut to length for Models 64A-64B	B5A 6002594-B	1
55	BV60B-60E-64A-64B	L. H. -14-23/32" long-Cut to length for Models 64A-64B	B5A 6002595-B	1
55	BV60B-60E-64A-64B	Screw (round head cross recess tapping)-No. 6-18 x 5/8"	52350-S13	10
Group 02614 RETAINER (DOOR WINDLACE OPENING)-LOWER				
55	BV58A-70B-73B-73C-79B-79C	47/64" x 11/16"	B5A 7002614-A	as req'd
55	BV58A-64A-64B	11/16" x 7/16"	BV 6402614-A	8or14
Group 02626 WEATHERSTRIP (FRONT BODY PILLAR)-UPPER				
55	BV60B-60E-64A-64B	Rubber-15-3/4" long-Cut to size for Models 64A-64B	B5A 6002626-A	2
Group 02648 COVER (FRONT BODY PILLAR HINGE OPENING)-LOWER				
55	BV	4-11/16" long	BC 7002648-A	4
55	BV	Screw (pan head)-No. 6-32 x 3/8"	51754-S8	8
Group 02648 COVER (FRONT BODY PILLAR HINGE OPENING)-UPPER				
55	BV	5-3/8" long	BC 7002648-B	2
55	BV	Screw (pan head)-No. 6-32 x 3/8"	51754-S8	8
Group 03086 COVER (WINDSHIELD GARNISH LOWER MOULDING JOINT)				
55	BV60E-70B-73B-73C-79B	Painted	BN 7003086-AP	1
55	BV58A-60B-64A-64B-76B-79C	Chrome Finish	B5A 7603086-A	1

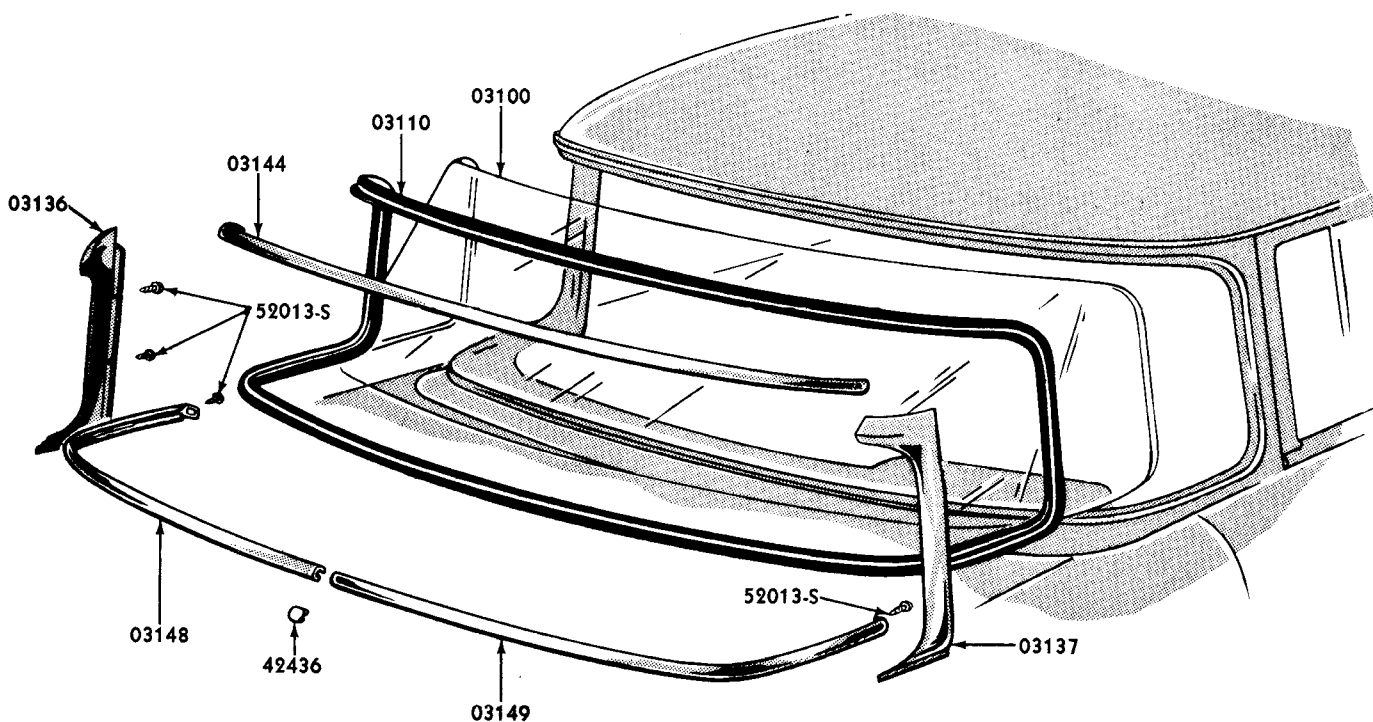
Group 03100

GLASS (WINDSHIELD)

55	BV70B-73B-73C-79B-79C	Clear	B5A 7003100-E	1
55	BV70B-73B-73C-79B-79C	Tinted (Green)	B5A 7003100-F	1
55	BV58A-64A-64B-76B	Clear	B5A 7603100-A	1
55	BV58A-64A-64B-76B	Tinted (Green)	B5A 7603100-B	1

MERCURY

BODY PARTS CATALOGUE



PMB-1

WINDSHIELD PARTS

Group numbers only shown on illustration. Order by Part Numbers shown in list of parts.

YEAR 19	BODY TYPES	REMARKS	PART NUMBER	NO. REQ'D
Group 03110 WEATHERSTRIP (WINDSHIELD)				
55	BV60B-60E-70B-73B-73C-79B-79C	Rubber	B5A 7003110-H	1
55	BV58A-64A-64B	Rubber	B5A 7003110-G	1
55	BV76B	Rubber	B5A 7603110-B	1
Group 03127 WELT (WINDSHIELD GARNISH LOWER MOULDING)				
55	BV	36" long-Rubber	BN 7003127-B	2
Group 03136-7 MOULDING (WINDSHIELD)-OUTSIDE-SIDE				
55	BV60B-60E	R. H. -Rustless Steel	B5A 6003136-A	1
55	BV60B-60E	L. H. -Rustless Steel	B5A 6003137-A	1
55	BV58A-64A-64B	R. H. -Rustless Steel	B5A 6403136-A	1
55	BV58A-64A-64B	L. H. -Rustless Steel	B5A 6403137-A	1
55	BV70B-73B-73C	R. H. -Rustless Steel	BN 7003136-B	1
55	BV70B-73B-73C	L. H. -Rustless Steel	BN 7003137-B	1
55	BV76B	R. H. -Rustless Steel	B5A 7603136-A	1
55	BV76B	L. H. -Rustless Steel	B5A 7603137-A	1
55	BV79B-79C	R. H. -Rustless Steel	B5A 7003136-A	1
55	BV79B-79C	L. H. -Rustless Steel	B5A 7003137-A	1
55	BV	Screw (flat hd cross recess)-No. 4-24 x 3/8"	52003-S13	4or12
55	BV60B-60E	Screw (flat hd cross recess)-No. 4-24 x 1/4"	52050-S13	6

MERCURY

BODY PARTS CATALOGUE

YEAR 19__	BODY TYPES	REMARKS	PART NUMBER	NO. REQ'D
Group 03144 MOULDING (WINDSHIELD)-OUTSIDE TOP				
55	BV60B-60E-79B-79C	Rustless Steel	B5A 7003144-D	1
55	BV58A-64A-64B	Rustless Steel	B5A 6403144-A	1
55	BV70B-73B-73C	Rustless Steel	BV 7003144-A	1
55	BV76B	Rustless Steel	B5A 7603144-A	1
55	BV	Screw (pan head cross rec.)-No. 8-15 x 1/2"	52726-S2	4
Group 03148-9 MOULDING (WINDSHIELD)-OUTSIDE BELT				
55	BV58A-60B-60E-64A-64B-76B	R. H. -Rustless Steel	B5A 6003148-A	1
55	BV58A-60B-60E-64A-64B-76B	L. H. -Rustless Steel	B5A 6003149-A	1
55	BV70B-73B-73C-79B-79C	R. H. -Rustless Steel	B5A 7003148-A	1
55	BV70B-73B-73C-79B-79C	L. H. -Rustless Steel	B5A 7003149-A	1
55	BV	Cover (moulding)	B5A 7042436-A	1
55	BV60B-60E-64A-64B-76B	Screw (flat hd cross recess)-No. 6-18 x 1/2"	52010-S8	2
55	BV	Screw (flat hd cross recess tap.)-No. 4-24 x 1/4"	52050-S13	2
Group 03166 RETAINER ASSEMBLY (WINDSHIELD OUTSIDE MOULDING)-TOP				
55	BV58A-64A-64B		B5A 6403166-A	10
55	BV58A-64A-64B	Nut (hex)-No. 10-24	34053-S8	6
55	BV58A-64A-64B	Washer (internal)-No. 10	34903-S8	6
Group 03174-5 RETAINER (WINDSHIELD SIDE MOULDING)-OUTSIDE				
55	BV76B	R. H. -Chrome Finish	B5A 7603174-A	1
55	BV76B	L. H. -Chrome Finish	B5A 7603175-A	1
Group 03178 RETAINER (WINDSHIELD MOULDING TOP)-OUTSIDE				
55	BV76B		B5A 7603178-A	1
Group 03183 CLIP (WINDSHIELD OUTSIDE SIDE MOULDING)-RETAINING				
55	BV76B	Chrome Finish	B5A 7603183-A	4
Group 03198-9 WEATHERSTRIP (WINDSHIELD GARNISH MOULDING)-UPPER				
55	BV76B	R. H. -Rubber	B5A 7603198-A	1
55	BV76B	L. H. -Rubber	B5A 7603199-A	1
Group 03410 PANEL (WINDSHIELD HEADER)				
55	BV76B		BA 7603410-A	1

MERCURY

BODY PARTS CATALOGUE

YEAR 19___	BODY TYPES	REMARKS	PART NUMBER	NO. REQ'D
Group 03442 DOWEL (FOLDING TOP NO. 1 BOW)-CENTER				
55	BV76B	T-Shape	BA 7603442-A	1
55	BV76B	Screw and Washer Assy (oval hd cr. rec.)-1/4"-20 x 3/4"	50711-S13	2
Group 03458 DOWEL (FOLDING TOP NO. 1 BOW)-SIDE				
55	BV76B	T-Shape 5/32" x 1-1/4" x 2-49/64"	B5A 7603458-A	2
55	BV76B	Screw and Washer Assy (oval hd cr. rec.)-1/4"-20 x 5/8"	50025-S13	4
55	BV76B	Washer (external tooth)-1/4"	34954-S13	4
Group 03466 SEAL (WINDSHIELD HEADER DOWEL)				
55	BV76B		BA 7603466-A	3
Group 03468-9 REINFORCEMENT (WINDSHIELD OPENING)-LOWER SIDE				
55	BV	R. H.	B5A 7003468-A	1
55	BV	L. H.	B5A 7003469-A	1
Group 03474 PLATE (WINDSHIELD HEADER DOWEL STRIKER)				
55	BV76B	Chrome Finish	B5A 7603474-A	2
55	BV76B	Nut (plain)-No. 12-24	34128-S7	4
Group 03542 MOULDING (WINDSHIELD HEADER)-INSIDE				
55	BV60B	Chrome Finish	BV 6003542-B	1
55	BV58A-64A	Chrome Finish	BV 6403542-A	1
55	BV58A-60B-64A	Clip moulding	352231-S8	3
55	BV58A-60B-64A	Screw (pan head cross recessed)-No. 8-32 x 3/8"	51855-S8	2
55	BV58A-60B-64A	Screw (oval head cross recess)-No. 8-15 x 5/8"	52352-S13	4
Group 03570 HANDLE ASSEMBLY (FOLDING TOP LOCKING)				
55		Chrome Finish	BA 7603570-A	1
Group 03598-9 MOULDING (WINDSHIELD GARNISH)-SIDE				
55	BV60B	R. H. -Chrome Finish	BV 6003598-C	1
55	BV60B	L. H. -Chrome Finish	BV 6003599-C	1
55	BV60E	R. H. -In Prime	B5A 6003598-BP	1
55	BV60E	L. H. -In Prime	B5A 6003599-BP	1
55	BV58A-64A-64B	R. H. -Chrome Finish	BV 6403598-A	1
55	BV58A-64A-64B	L. H. -Chrome Finish	BV 6403599-A	1
55	BV70B-73B-73C-79B	R. H. -In Prime	B5A 7003598-CP	1
55	BV70B-73B-73C-79B	L. H. -In Prime	B5A 7003599-BP	1
55	BV76B	R. H. -Chrome Finish	B5A 7603598-A	1
55	BV76B	L. H. -Chrome Finish	B5A 7603599-A	1
55	BV79C	R. H. -Chrome Finish	BV 7903598-A	1
55	BV79C	L. H. -Chrome Finish	BV 7903599-A	1
55	BV60B-60E-64A-64B-76B	Screw (oval head cross recessed)-No. 8-15 x 7/8"	52368-S23	8
55	BV	Screw (oval head cross rec.)-No. 8-15 x 1-1/2"	52388-S13	2

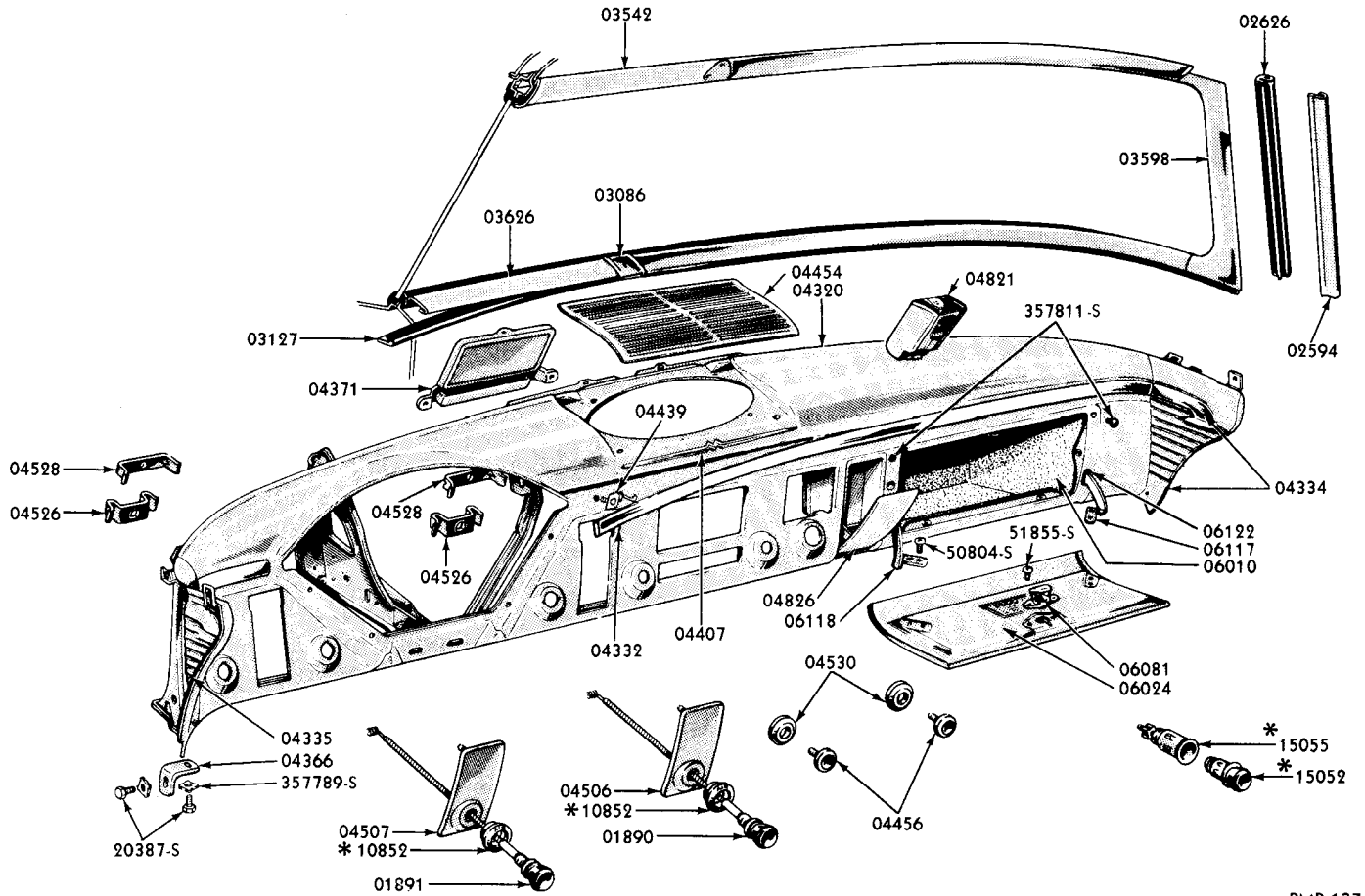
MERCURY

BODY PARTS CATALOGUE

YEAR 19	BODY TYPES	REMARKS	PART NUMBER	NO. REQ'D
Group 03606 MOULDING (WINDSHIELD GARNISH)-UPPER				
55	BV60B-79C	Chrome Finish	BV 6003606-A	1
55	BV60E-70B-73B-73C-79B	Painted	B5A 7003606-BP	1
55	BV76B	Chrome Finish	BV 7603606-A	1
55	BV60B-60E-64A-64B-76B	Screw (oval head cross recessed)-No. 8-15 x 7/8"	52368-S23	4
Group 03626-7 MOULDING (WINDSHIELD GARNISH)-LOWER				
55	BV58A-60B-64A-64B-76B-79C	R. H. -Chrome Finish	B5A 7603626-A	1
55	BV58A-60B-64A-64B-76B-79C	L. H. -Chrome Finish	B5A 7603627-A	1
55	BV60E-70B-73B-73C-79B	R. H. -In Prime	B5A 7003626-BP	1
55	BV60E-70B-73B-73C-79B	L. H. -In Prime	B5A 7003627-BP	1
55	BV	Screw (oval head cross recessed)-No. 8-15 x 3/4"	52360-S13	6
Group 04114 PIN (VISOR ANCHOR)				
55	BV except 58A-64A-64B-76B	Chrome Finish	BD 7304114-A	2
55	BV58A-64A-64B-76B	Chrome Finish	BC 7604114-B	2
Group 04128-9 BRACKET (FRONT BODY PILLAR VISOR)				
55	BV60E	R. H.	BM 6004128-A	1
55	BV60E	L. H.	BM 6004129-A	1
55	BV60E	Screw (pan head)-No. 8-15 x 1/2"	52726-S13	2
Group 04131 CLIP ASSEMBLY (VISOR ARM)				
55	BV76B		BV 7604131-A	2
55	BV76B	Screw (oval head cross recess)-No. 8-32 x 3/8"	51451-S13	4
Group 04144-5 ARM AND BRACKET ASSEMBLY (VISOR)				
55	BV58A	R. H. -Chrome Finish	BV 5804144-A	1
55	BV58A	L. H. -Chrome Finish	BV 5804145-A	1
55	BV60B	R. H.	BV 6004144-A	1
55	BV60B	L. H.	BV 6004145-A	1
55	BV60E-70B-73B	In Prime	B5A 7004144-AP	2
55	BV64A	R. H.	BV 6404144-A	1
55	BV64A	L. H.	BV 6404145-A	1
55	BV64B	R. H.	BV 6404144-B	1
55	BV64B	L. H.	BV 6404145-B	1
55	BV73C-79B-79C	Chrome Finish	BV 7304144-A	2
55	BV76B	R. H. -Chrome Finish-Zinc Die Cast-3 hole	B5A 7604144-A	1
55	BV76B	L. H. -Chrome Finish-Zinc Die Cast-3 hole	B5A 7604145-A	1

MERCURY

BODY PARTS CATALOGUE



PMB-137

*FOR ADDITIONAL INFORMATION REFER TO CHASSIS CATALOGUE.

INSTRUMENT PANEL

Group numbers only shown on illustration. Order by Part Numbers shown in list of parts.

YEAR	BODY TYPES	REMARKS	PART NUMBER	NO. REQ'D
19				
Group 04320 PANEL ASSEMBLY (INSTRUMENT)-LESS INSTRUMENTS				
55	BV	In Prime	BV 7004320-DP	1
55	BV	Bolt (hex head)-5/16"-24 x 1"	20387-S8	2
55	BV	Nut (hex)-5/16"-24	33923-S7	2
55	BV	Washer (lock)-5/16"	357789-S7	4
Group 04329 DEFLECTOR (WINDSHIELD DEFROSTER)-CENTER				
55	BV	Rubber-1/8" x 1" x 10-1/8"	BC 7004329-A	1
Group 04332-3 MOULDING (INSTRUMENT PANEL END)				
55	BV	R. H. -Chrome Finish-33-9/32" long	BV 7004332-A	1
55	BV	L. H. -Chrome Finish-3-21/32" long	BV 7004333-A	1
55	BV	Nut (hex)-No. 10-32	34079-S7	1
55	BV	Washer (lock)-No. 10	34803-S7	1

MERCURY

BODY PARTS CATALOGUE

YEAR 19____	BODY TYPES	REMARKS	PART NUMBER	NO. REQ'D
Group 04334-5 PANEL (INSTRUMENT PANEL)-END				
55	BV60B-60E-70B-73B-73C-79B-79C	R. H. -Chrome Finish	BV 7004334-BP	1
55	BV60B-60E-70B-73B-73C-79B-79C	L. H. -Chrome Finish	BV 7004335-BP	1
55	BV58A-64A-64B-76B	R. H. -Chrome Finish	BV 7604334-AP	1
55	BV58A-64A-64B-76B	L. H. -Chrome Finish	BV 7604335-AP	1
55	BV	Screw (pan head cr. rec.)-No. 10-12 x 1/2"	52727-S8	2
Group 04365 BRACKET ASSEMBLY (INSTRUMENT PANEL TO PILLAR)				
55	BV76B		BC 7604365-A	1
Group 04366 BRACKET (INSTRUMENT PANEL TO PILLAR)				
55	BV		B5A 7004366-A	1
55	BV	Bolt (hex head)-5/16"-24 x 1"	20387-S8	2
55	BV	Nut (hex)-5/16"-24	33923-S7	2
55	BV	Washer (lock)-5/16"	357789-S7	2
Group 04371 PLATE (RADIO OPENING COVER)				
55	BV60E-70B-73B	Black	FDK 7004371-C	1
55	BV58A-60B-64A-64B-73C-76B-79B-79C	White	FDK 7004371-D	1
55	BV	Stud-17/64" x 11/32"	358474-S2	1
Group 04407 EMBLEM (INSTRUMENT PANEL)				
55	BV60E-70B-73B-79B	Zinc Die Cast-Chrome Finish	BV 7004407-A	1
55	BV60E-70B-73B-79B	Nut (spring)-3/32"	45031-S	3
Group 04428 COVER (INSTRUMENT PANEL CLOCK OPENING)				
55	BV60E-70B-73B	Black	FDK 7004428-C	1
55	BV79B	White	FDK 7004428-D	1
55	BV60E-70B-73B-79B	Screw (pan head cross recessed)-No. 10-12 x 1/2"	52727-S8	2
Group 04439 RETAINER ASSEMBLY (INSTRUMENT PANEL MOULDING)				
55	BV		BV 7004439-A	7
Group 04454 GRILL (INSTRUMENT PANEL RADIO)				
55	BV	Steel-Painted	BV 7004454-AP	1
55	BV	Clip Assy (moulding)	357849-S100	2
55	BV	Nut (hex)-No. 8-32	34052-S7	2
55	BV	Washer (flat)-No. 8	34938-S8	2
Group 04456 RETAINER (RADIO OPENING COVER PLATE)				
55	BV	Painted-Zinc Die Cast	FDK 7004456-A	2

MERCURY

BODY PARTS CATALOGUE

YEAR 19	BODY TYPES	REMARKS	PART NUMBER	NO. REQ'D
Group 04460 NAME PLATE (INSTRUMENT PANEL)				
55	BV60B-73C-79C	Zinc Die Cast-Monterey	BV 7604460-A	1
55	BV58A-64A-64B-76B	Zinc Die Cast-Montclair	BV 7604460-B	1
55	BV58A-60B-64A-64B-73C-76B-79C	Nut (spring)-3/32"	45031-S	3
Group 04492 RETAINER ASSEMBLY (INSTRUMENT PANEL RADIO GRILLE)				
55	BV		BV 7004492-A	2
Group 04506-7 COVER ASSY (INSTRUMENT PANEL HEATER CONTROL OPENING)				
55	BV60E-70B-73B	R. H. -Black	FDK 7004506-D	1
55	BV60E-70B-73B	L. H. -Black	FDK 7004507-D	1
55	BV58A-60B-64A-64B-73C-76B-79B-79C	R. H. -White	FDK 7004506-E	1
55	BV58A-60B-64A-64B-73C-76B-79B-79C	L. H. -White	FDK 7004507-E	1
55	BV	Nut (hex)-No. 8-32	34052-S7	1
Group 04526-7 BRACKET (INSTRUMENT PANEL HEATER CONTROL OPENING COVER)-LOWER				
55	BV	R. H. -Chrome Finish	FDK 7004526-A	1
55	BV	L. H. -Chrome Finish	FDK 7004527-A	1
55	BV	Nut (hex)-7/16"-20	45219-S8	2
55	BV	Washer (flat)-7/16"	44731-S8	2
Group 04528 BRACKET (INSTRUMENT PANEL HEATER CONTROL OPENING COVER)-UPPER				
55	BV	Chrome Finish	FDK 7004528-A	2
55	BV	Nut (hex)-No. 8-32	34052-S7	2
55	BV	Washer (flat)-No. 8	44710-S8	2
Group 04530 COVER (RADIO CONTROL KNOB HOLE)				
55	BV		FDK 7004530-A	2
Group 04548 SUPPORT (INSTRUMENT PANEL RADIO GRILLE)				
55	BV		BV 7004548-A	2
Group 04603 KIT (CIGAR LIGHTER ELEMENT)				
55	BV	Contains (12) 51A-7004616-A1 Casco cigar lighter elements	8H 7004603	1
Group 04821 BOX AND SNUFFER ASSEMBLY (ASH RECEPTACLE)				
55	BV	Instrument Panel	BV 7004821-A	1
Group 04826 RETAINER ASSEMBLY (INSTRUMENT PANEL ASH RECEPTACLE)				
55	BV	Primed	BV 7004826-AP	1
55	BV	Nut (hex)-No. 10-32	34079-S7	3
55	BV	Washer (flat)-No. 10	34803-S7	3

MERCURY

BODY PARTS CATALOGUE

YEAR 19___	BODY TYPES	REMARKS	PART NUMBER	NO. REQ'D
Group 04870 BUMPER (INSTRUMENT PANEL ASH RECEPTACLE DOOR)				
55	BV	Rubber	BC 7004870-A	1
Group 06010 BOX ASSEMBLY (GLOVE COMPARTMENT)				
55	BV	Cardboard-with six No. 8 speed nuts	BV 7006010-A	1
55	BV	Screw (cross rec.)-No. 8-15 x 1/2"	357903-S8	6
55	BV	Washer (finishing)-No. 8	34862-S7	4
Group 06024 DOOR ASSEMBLY (GLOVE COMPARTMENT)				
55	BV	Painted	BV 7006024-AP	1
55	BV	Bumper (rubber)	353907-S	2
55	BV	Screw (hex washer head)-No. 10-16 x 1/2"	42607-S8	3
Group 06064 CATCH (GLOVE COMPARTMENT DOOR LOCK)				
55	BV	Steel-2-3/4" long	BV 7006064-A	1
55	BV	Screw and Washer assy (round hd cross recessed)-No. 8-32 x 3/8"	50629-S8	2
Group 06081 LOCK ASSEMBLY (GLOVE COMPARTMENT DOOR)-COMPLETE WITH KEYS				
55	BV		BV 7006081-A	1
55	BV	Screw (pan head cross recessed)-No. 8-32 x 3/8"	51855-S8	2
Group 06117-8 ARM (GLOVE COMPARTMENT DOOR CHECK)				
55	BV	R. H. -In Prime	BV 7006117-AP	1
55	BV	L. H. -In Prime	BV 7006118-AP	1
Group 06122 GROMMET (GLOVE COMPARTMENT DOOR CHECK ARM)				
55	BV	Rubber	1A 7006122	2
Group 10128-9 PANEL ASSEMBLY (BODY ROCKER)				
55	BV60B-60E-64A-64B-76B	R. H.	B6A 6010128-A	1
55	BV60B-60E-64A-64B-76B	L. H.	B6A 6010129-A	1
55	BV70B	R. H.	B6A 7010128-A	1
55	BV70B	L. H.	B6A 7010129-A	1
55	BV58A-73B-73C-79B-79C	R. H.	B6A 7310128-A	1
55	BV58A-73B-73C-79B-79C	L. H.	B6A 7310129-A	1
Group 10146 MOULDING KIT (BODY ROCKER PANEL)				
55	BV except 79B-79C	Consists of: (1) BV 7010176-7A Moulding (14) BV 7010198-A Clip (moulding)	BV 7010146-A	1
55	BV79B-79C	Consists of: (2) BV 7910176 Mouldings (14) BV 7010198-A Clips (moulding)	BV 7910146-A	1

MERCURY

BODY PARTS CATALOGUE

YEAR 19	BODY TYPES	REMARKS	PART NUMBER	NO. REQ'D
Group 10176-7 MOULDING (BODY ROCKER PANEL CURB BUFFER)				
55	BV except 79B-79C	R. H. -Rustless Steel-83-13/16" long	BV 7010176-A	1
55	BV except 79B-79C	L. H. -Rustless Steel-83-13/16" long	BV 7010177-A	1
55	BV79B-79C	Rustless Steel-83-7/16" long	BV 7910176-A	2
55	BV	Retainer	BV 7010198	14
Group 10198 RETAINER (BODY ROCKER PANEL CURB BUFFER MOULDING)				
55	BV		BV 7010198-A	14
Group 11113 INSULATOR ASSEMBLY (FRONT FLOOR)				
55	BV except 76B-79B-79C	L. H. -Use with Air Conditioning	BV 7011113-A	1
Group 11135 PAN ASSEMBLY (FLOOR FRONT)				
55	BV except 79B-79C		B6A 7611135-B	1
55	BV79B-79C		B6A 5911135-B	1
55	BV	Plug (button)-1-13/16"	352285-S	as req'd
55	BV	Plug (button)-1-1/4"	352284-S	as req'd
55	BV	Body Sealer	M 5335-B	as req'd
Group 11215 PAN ASSEMBLY (REAR FLOOR)				
55	BV except 79B-79C		BV 7011215-C	1
55	BV79B-79C		B5A 7911215-B	1
55	BV	Plug (button)-3/4"	352291-S	2
55	BV79B-79C	Plug (button)-1-1/2"	352285-S	1
55	BV	Body Sealer	M 5335-B	as req'd
Group 11220-1 FILLER ASSEMBLY (FLOOR PAN TO QUARTER PANEL)				
55	BV79B-79C	R. H.	BR 7911220-A	1
55	BV79B-79C	L. H.	BR 7911221-A	1
Group 11228-9 FILLER (REAR FLOOR TO QUARTER PANEL)				
55	BV except 79B-79C	R. H.	BC 7011228-B	1
55	BV except 79B-79C	L. H.	BC 7011229-B	1
55	BV except 79B-79C	Screw (hex head)-No. 14 x 5/8"	31498-S8	6
Group 11239 EXTENSION ASSEMBLY (REAR FLOOR PAN TO QUARTER PANEL)-L. H.				
55	BV except 79B-79C	L. H.	BV 7011239-A	1
Group 11250 EXTENSION (REAR FLOOR PAN TO QUARTER PANEL)-R. H.				
55	BV except 79B-79C	R. H.	BV 7011250-A	1
55	BV except 79B-79C	Plug (rubber)	352291-S	4

MERCURY

BODY PARTS CATALOGUE

YEAR 19_____	BODY TYPES	REMARKS	PART NUMBER	NO. REQ'D
Group 11268 INSULATOR ASSEMBLY (REAR FLOOR)				
55	BV except 76B-79B-79C	Used with Air Conditioning-cut to size for 60B-60E-64A-64B	BV 7011268-A	1
Group 11290 COVER (FLOOR PAN REAR GAS GAUGE)				
55	BV		B5A 7011290-A	1
55	BV	Screw (pan head self tapping)-No. 10-12 x 3/8"	32917-S7	1
Group 11310 HOUSING (FUEL TANK FILLER PIPE)				
55	BV except 79B-79C		BV 7011310-C	1
Group 11323 PANEL ASSEMBLY (REAR FLOOR)-REAR SILL				
55	BV79B-79C		B5A 5911323-A	1
Group 11486 INSULATOR ASSEMBLY (REAR FLOOR)-UNDER SEAT				
55	BV60B-60E-64A-64B	Use with Air Conditioning	BV 6011486-A	1
55	BV58A-70B-73B-73C	Use with Air Conditioning	BV 7011486-A	1
Group 11520 SPACER (BODY TO FRAME)				
55	BV	Steel-3/32" x 1-7/16" x 1-15/16" overall	8A 7011520	2
Group 12128 COVER ASSEMBLY (TRANSMISSION BAND ADJUSTMENT)-ACCESS HOLE				
55	BV	Oval type with rubber insulator	B5A 7012128-A	1
Group 13084 PAD (FRONT FLOOR MAT HEEL)-ACCESSORY				
55	BV	Black Rubber-16-1/2" x 20"	BD 7313084-A	1
55	BV	Blue Rubber-16-1/2" x 20"	BD 7313084-B	1
55	BV	Green Rubber-16-1/2" x 20"	BD 7313084-C	1
55	BV	Maroon Rubber-16-1/2" x 20"	BD 7313084-D	1
55	BV	Light Blue Rubber-16-1/2" x 20"	BD 7313084-E	1
55	BV	Red Rubber-16-1/2" x 20"	BD 7313084-F	1
55	BV	Yellow Rubber-16-1/2" x 20"	BD 7313084-G	1
55	BV	Arctic White Rubber-16-1/2" x 20"	BD 7313084-H	1
Group 13208-9 PLATE (BODY ROCKER PANEL SCUFF)-FRONT				
55	BV60B-60E-64A-64B-70B-76B	R. H. -Aluminum-42-1/2" long	BV 7013208-A	1
55	BV60B-60E-64A-64B-70B-76B	L. H. -Aluminum-42-1/2" long	BV 7013209-A	1
55	BV58A-73B-73C-79B-79C	R. H. -Aluminum-35-35/64" long	BV 7313208-A	1
55	BV58A-73B-73C-79B-79C	L. H. -Aluminum-35-35/64" long	BV 7313209-A	1
55	BV	Screw (pan head cross recessed)-No. 6-18 x 1/2"	52724-S13	16

MERCURY

BODY PARTS CATALOGUE

YEAR 19____	BODY TYPES	REMARKS	PART NUMBER	NO. REQ'D
Group 13210-1 STRIP (REAR FLOOR SIDE FINISH)-AT WHEELHOUSE				
55	BV79B-79C	R. H. -In Prime 21-3/32" long	B5A 5913210-BP	1
55	BV79B-79C	L. H. -In Prime 21-3/32" long	B5A 5913211-BP	1
55	BV79B-79C	Screw (pan head cr. rec.)-No. 6-18 x 1/2"	52724-S13	as req'd
Group 13228-9 PLATE (BODY ROCKER PANEL SCUFF)-REAR				
55	BV58A-73B-73C-79B-79C	R. H. -Aluminum-25-7/8" long	BV 7313228-A	1
55	BV58A-73B-73C-79B-79C	L. H. -Aluminum-25-7/8" long	BV 7313229-A	1
55	BV	Screw (pan head cross recess)-No. 6-18 x 1/2"	52724-S13	as req'd
Group 13234-5 STRIP (REAR FLOOR FINISH)-AT WHEELHOUSE				
55	BV79B-79C	R. H. -In Prime	B5A 5913234-AP	1
55	BV79B-79C	L. H. -In Prime	B5A 5913235-AP	1
55	BV79B-79C	Screw (pan head cross recess)-No. 6-18 x 1/2"	52724-S13	6
Group 13723 COURTESY LAMP (CENTER ARM REST AND UPPER RAILS)				
55	BV58A-60B-64A-64B-76B		FDK 13723-B	1
Group 13783 LENS (DOME LAMP)				
55	BV except 64A-64B-76B		FDT 13783-A	1
Group 14197 CLIP (ELECTRIC WIRING-4 WAY SEAT REGULATOR MOTOR)				
55		Used with Type "B" and Type "C" Vertical and Horizontal Regulators	7RA 14197-B	
55		Nut (hex)-No. 10-32	34079-S7	1
55		Washer (light spring lock)-No. 10	34823-S7	1
Group 14484 SHIELD (WINDOW REGULATOR MOTOR)				
55	BV	Used on Front & Rear Doors & on Quarter Electric Motors	FDL 14484-A	2
Group 14505 SWITCH AND HOUSING ASSEMBLY (WINDOW REGULATOR)-MULTIPLE				
55	BV		FAA 14505-B	1
Group 14512 RELAY ASSEMBLY (WINDOW AND 4-WAY SEAT REGULATOR CONTROL)				
55	BV		B5A 14512-A	2or4
55	BV	Nut-No. 10-12	45188-S8	as req'd

MERCURY

BODY PARTS CATALOGUE

YEAR 19	BODY TYPES	REMARKS	PART NUMBER	NO. REQ'D
Group 14513 BAR (WINDOW REGULATOR CONTROL SWITCH)-BUS				
55	BV		B5A 14513-A	1
Group 14523 PLATE (WINDOW REGULATOR SWITCH MOUNTING)-SINGLE				
55	BV	2-1/32" O. D.	FAA 14523-A	as req'd
Group 14524 PLATE (WINDOW REGULATOR SWITCH MOUNTING)-MULTIPLE				
55	BV		FAB 14524-A	1
Group 14526 CIRCUIT BREAKER ASSEMBLY				
55	BV	(30 Ampere)	B5A 14526-A	1
55	BV	(20 Ampere)	B5A 14526-B	1
Group 14526 CIRCUIT BREAKER ASSY (TOP CONTROL)				
55	BV76B	Attached to R. H. -Outside Firewall	1A 14526	1
55	BV76B	Screw (hex washer hd tap.)-No. 14-10 x 1/2"	31498-S7	2
Group 14529 SWITCH ASSEMBLY (WINDOW REGULATOR AND ELECTRIC SEAT CONTROL)-SINGLE				
55	BV		FAA 14529-A	as req'd
Group 14540 SWITCH ASSEMBLY (WINDOW REGULATOR CONTROL)-MULTIPLE				
55	BV		B5A 14540-A	1
55	BV	Screw (hex washer head)-No. 10-16 x 3/8"	42360-S7	4
Group 14545 SWITCH ASSEMBLY (SEAT REGULATOR CONTROL)				
55	BV		B5A 14545-A	as req'd
Group 14547 MOTOR ASSEMBLY (SEAT REGULATOR)				
55	BV	Horizontal Motor for Type "C" Regulator	FDK 14547-A	1
55	BV	Vertical Motor for Type "C" Regulator	FDK 14547-B	1
55	BV	Horizontal and Vertical Motor for Type "B" Regulator	B5S 14547-A	1
Group 14553 MOTOR ASSEMBLY (WINDOW REGULATOR)				
55	BV except 79B-79C	Electric	B5S 14553-A	2or4
55	BV except 79B-79C	Nut (hex)-No. 10-32	34079-S7	4
55	BV except 79B-79C	Washer (C' sunk)-No. 10	35614-S8	4
Group 14680 SWITCH AND HOUSING ASSEMBLY (4-WAY SEAT REGULATORS)				
55	BV		FAA 14680-A	2
55	BV	Screw (oval hd cr. rec.)-No. 8-15 x 5/8"	52352-S13	2

MERCURY

BODY PARTS CATALOGUE

YEAR 19__	BODY TYPES	REMARKS	PART NUMBER	NO. REQ'D
Group 14685 HOUSING (SEAT REGULATOR CONTROL SWITCH)				
55	BV	Chrome Finish	FDK 14685-A	1
Group 15052 KNOB AND ELEMENT ASSEMBLY (CIGAR LIGHTER)-INSTRUMENT CLUSTER				
55	BV	Use FAA-7362844-A for Quarter Arm Rest and Rear Seat Back on Models 58A-64A-64B and 76B	FAF 15052-A	1
Group 15055 SOCKET AND RETAINER ASSEMBLY (CIGAR LIGHTER)				
55	BV	Automatic	FAD 15055-B	as req'd
Group 15667 MOTOR ASSEMBLY (TOP CONTROL)				
55	BV76B	Used with Square Type Pump	FAA 15667-B	1
55	BV76B	Used with Round Type Pump	B5A 15667-A	1
Group 15668 SWITCH ASSEMBLY (TOP CONTROL)				
55	BV76B		FAA 15668-B	1
Group 15672 RELAY ASSY (TOP CONTROL)				
55	BV76B	Attached to rear seat riser	FAB 15672-A	1
Group 15672 RELAY ASSEMBLY (4-WAY ELECTRIC SEAT)				
55	BV		FAB 15672-A	1or2
Group 15674 HANDLE ASSEMBLY (TOP CONTROL)				
55	BV76B	Chrome Finish	FAB 15674-A	1
Group 15676 BRACKET (TOP CONTROL SWITCH MOUNTING)				
55	BV76B		FDK 15676-A	1
55	BV76B	Bolt (round head carriage)-1/4"-20 x 5/8"	23365-S8	1
55	BV76B	Lockwasher-1/4"	34805-S8	1
55	BV76B	Nut (hex)-1/4"-20	33795-S7	1
55	BV76B	Washer (flat)-1/4"	44719-S8	1
Group 15677 BEZEL (TOP CONTROL KNOB)				
55	BV76B		FAA 15677-A	1
Group 16754 BUMPER (LUGGAGE COMPARTMENT DOOR TO STRIKER PLATE)				
55	BV	Rubber and Steel	BD 16754-A	2

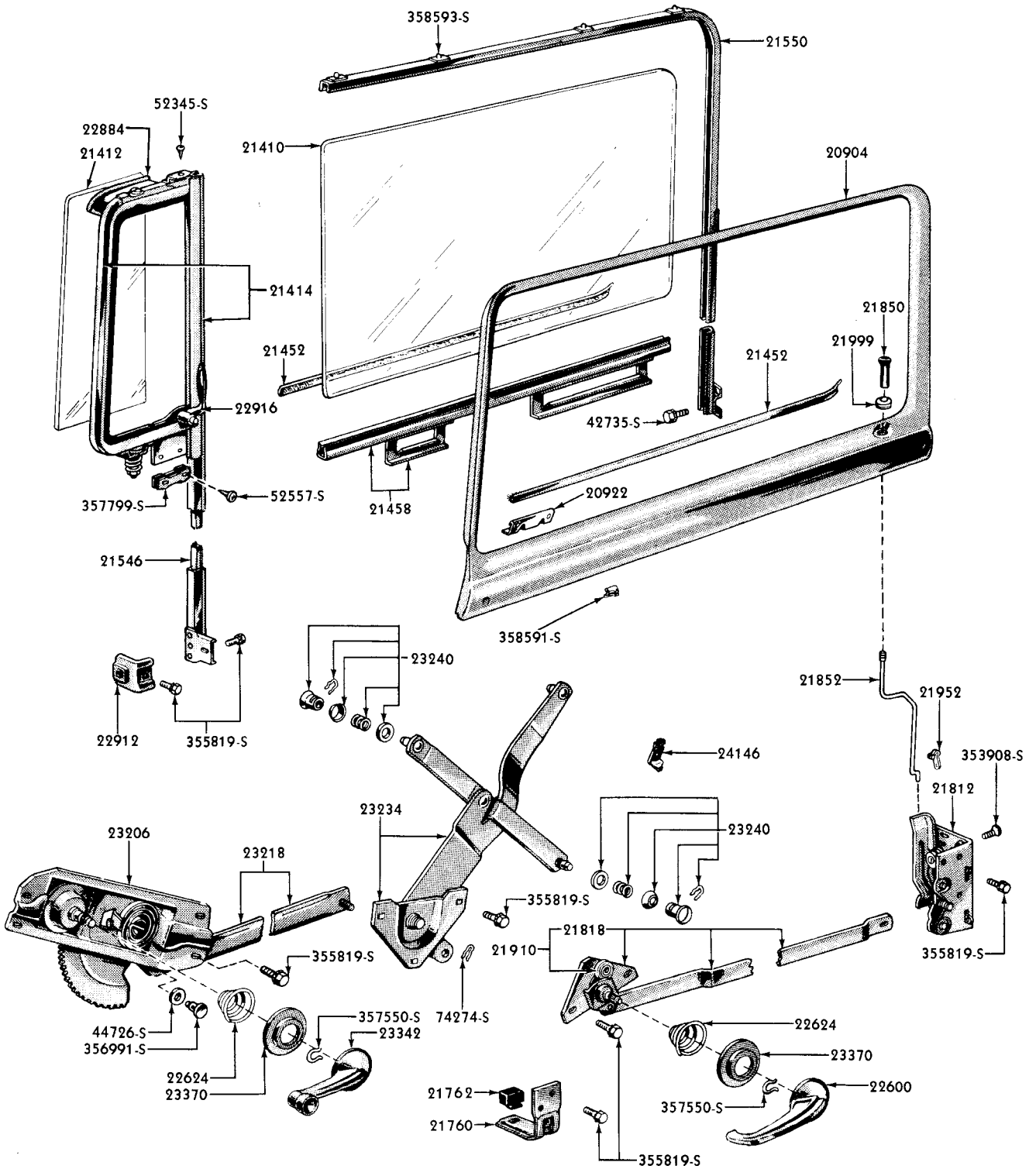
MERCURY

BODY PARTS CATALOGUE

YEAR 19__	BODY TYPES	REMARKS	PART NUMBER	NO. REQ'D
Group 20124-5 DOOR ASSEMBLY (FRONT)-LESS HINGES				
55	BV58A	R. H.	BV 5820124-B	1
55	BV58A	L. H.	BV 5820125-B	1
55	BV60B-60E-64A-64B-76B	R. H.	BV 6020124-A	1
55	BV60B-60E-64A-64B-76B	L. H.	BV 6020125-A	1
55	BV70B	R. H.	BV 7020124-A	1
55	BV70B	L. H.	BV 7020125-A	1
55	BV73B-73C-79B-79C	R. H.	BV 7320124-A	1
55	BV73B-73C-79B-79C	L. H.	BV 7320125-A	1
55	BV70B-73B-73C-79B-79C	Bumper (at top of door)	354434-S	2
55	BV58A-60B-60E-64A-64B-76B	Plug (rubber)-1-1/2"	352285-S	2
55	BV	Screw (hex washer head)-5/16"-24 x 1"	358437-S2	12
Group 20318 SHIELD (DOOR TRIM WATER)				
55	BV	Clear Plastic-41-1/2" x 23-1/2" -Used on Front & Rear Doors	B5A 7020318-A	2or4
Group 20336-7 COVER (FRONT DOOR GLASS FRAME TO OUTSIDE PANEL FINISH)				
55	BV58A	R. H. -Chrome Finish-2-9/16" long	BV 5820336-A	1
55	BV58A	L. H. -Chrome Finish-2-9/16" long	BV 5820337-A	1
55	BV58A	Screw (cross recess.)-No. 6-18	351770-S8	2
Group 20402-3 RAIL (FRONT DOOR OUTSIDE FINISH)-LOWER				
55	BV79C	R. H. -Fiber Glass-38-3/4" long	BV 7920402-A	1
55	BV79C	L. H. -Fiber Glass-38-3/4" long	BV 7920403-A	1
55	BV79C	Cap	358404-S	6
55	BV79C	Nut (spring)-No. 14-10	45021-S32	3
55	BV79C	Retainer	358403-S2	6
55	BV79C	Screw (oval head cross rec.)-No. 14-10	353557-S8	6
55	BV79C	Spacer	BV 7920774-B	3
Group 20442-3 MOULDING (FRONT DOOR OUTSIDE)-FRONT				
55	BV73C	R. H. -Rustless Steel	BV 7320442-A	1
55	BV73C	L. H. -Rustless Steel	BV 7320443-A	1
Group 20492-3 MOULDING (FRONT DOOR)-OUTSIDE TOP				
55	BV70B	R. H. -Rustless Steel-32-23/32" long	BV 7020492-A	1
55	BV70B	L. H. -Rustless Steel-32-23/32" long	BV 7020493-A	1
55	BV73B-73C	R. H. -Rustless Steel-26-1/8" long	BV 7320492-A	1
55	BV73B-73C	L. H. -Rustless Steel-26-1/8" long	BV 7320493-A	1
55	BV70B-73B-73C	Retainer	BV 7021082	as req'd
55	BV70B-73B-73C	Screw (truss head)-No. 6-32 x 3/16"	354336-S8	8or10

MERCURY

BODY PARTS CATALOGUE



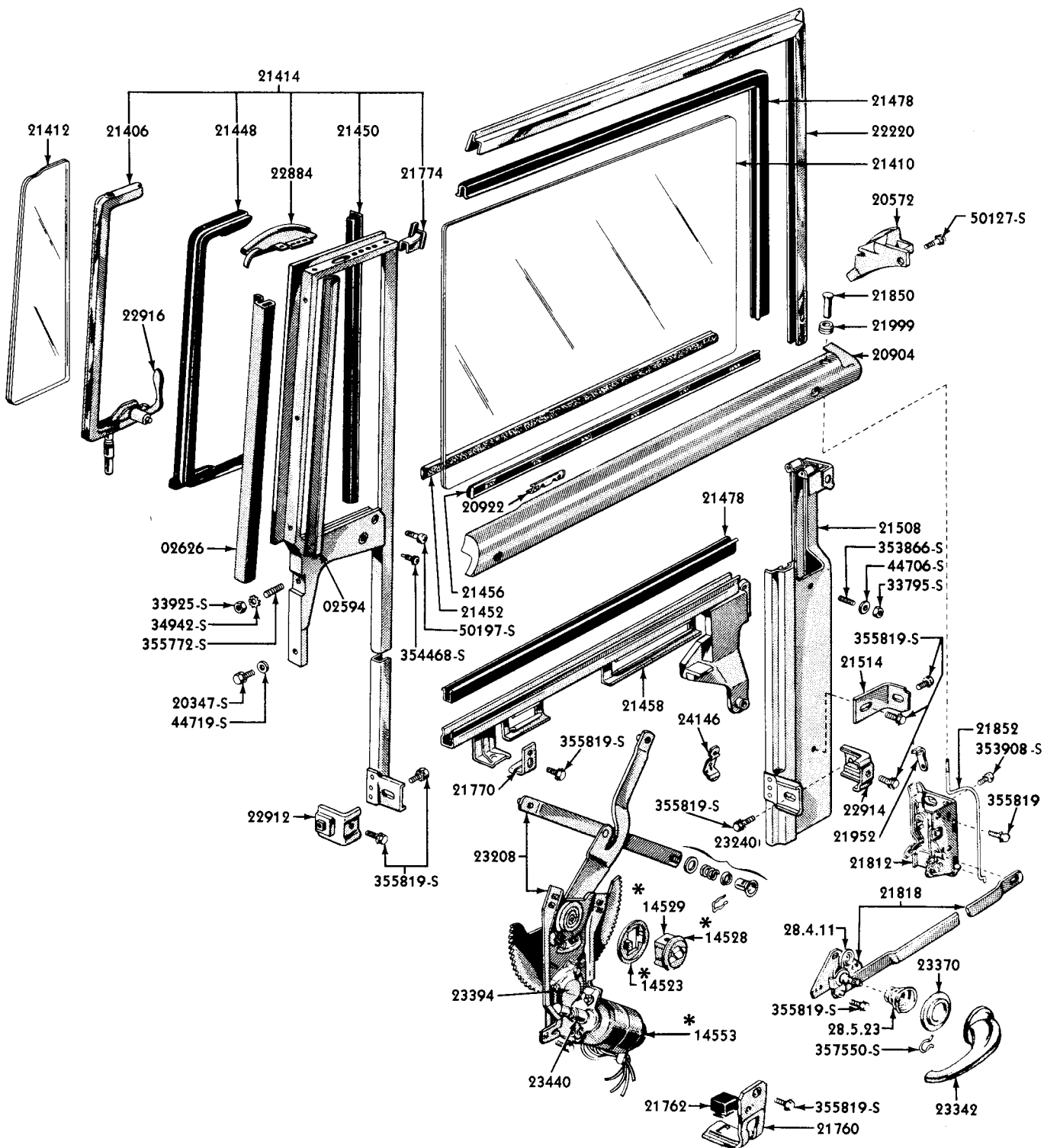
PMB-3

FRONT DOOR PARTS—MANUAL CONTROL

Group numbers only shown on illustration. Order by Part Numbers shown in list of parts.

MERCURY

BODY PARTS CATALOGUE



*FOR ADDITIONAL INFORMATION REFER TO CHASSIS CATALOGUE.

FRONT DOOR PARTS—ELECTRIC CONTROL

Group numbers only shown on illustration. Order by Part Numbers shown in list of parts.

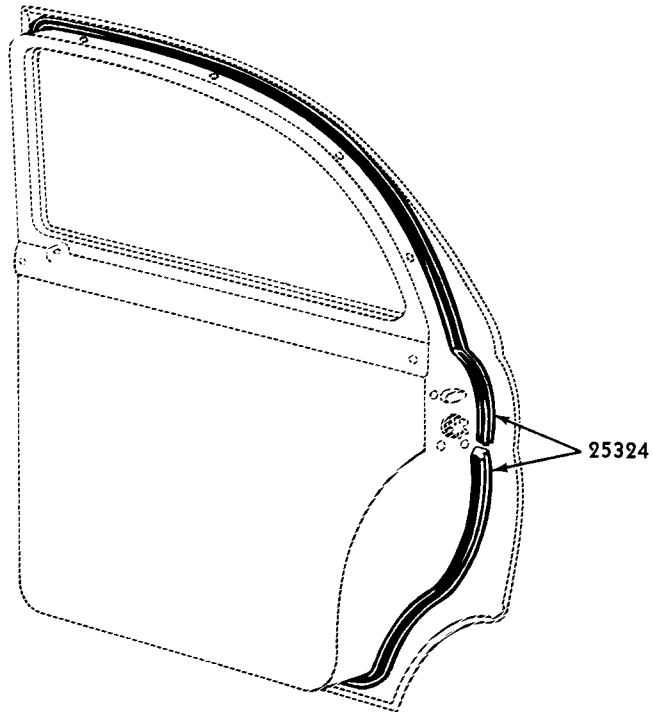
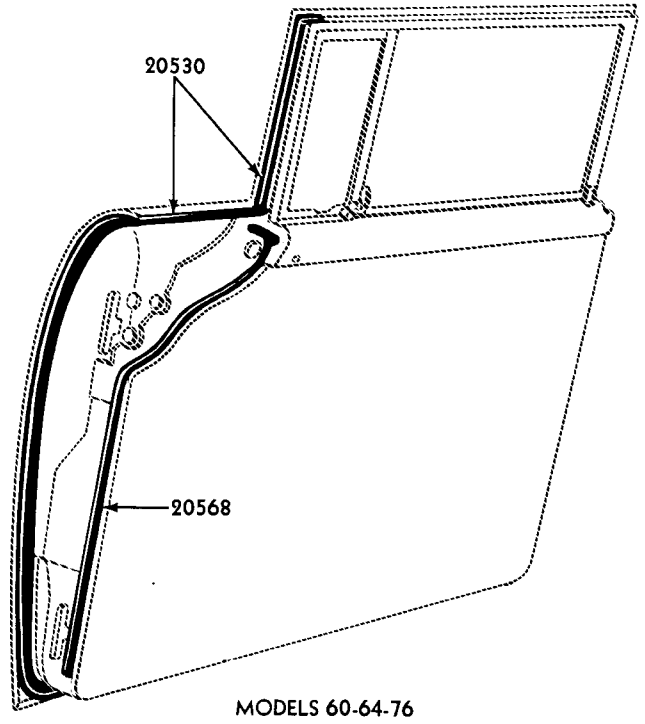
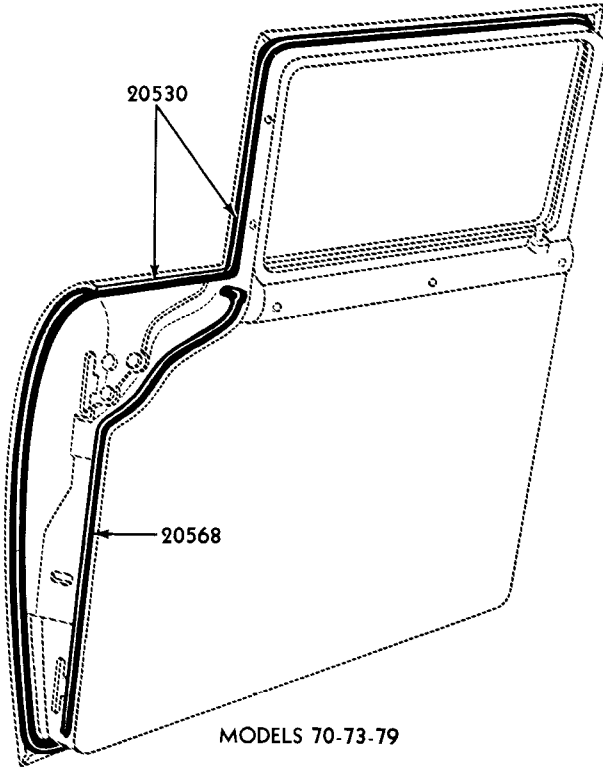
MERCURY

BODY PARTS CATALOGUE

YEAR 19___	BODY TYPES	REMARKS	PART NUMBER	NO. REQ'D
Group 20494-5 MOULDING (FRONT DOOR OUTSIDE TOP)-LOWER				
55	BV73C	R. H. -Rustless Steel	BV 7320494-A	1
55	BV73C	L. H. -Rustless Steel	BV 7320495-A	1
Group 20530-1 WEATHERSTRIP ASSEMBLY (FRONT DOOR)				
55	BV58A	R. H. -Rubber	BV 5820530-C	1
55	BV58A	L. H. -Rubber	BV 5820531-C	1
55	BV60B-60E-64A-64B-76B	R. H. -Rubber	B5A 6020530-C	1
55	BV60B-60E-64A-64B-76B	L. H. -Rubber	B5A 6020531-C	1
55	BV70B	R. H. -Rubber	B6A 7020530-A	1
55	BV70B	L. H. -Rubber	B6A 7020531-A	1
55	BV73B-73C-79B-79C	R. H. -Rubber	B5A 7320530-B	1
55	BV73B-73C-79B-79C	L. H. -Rubber	B5A 7320531-B	1
55	BV60B-60E-64A-64B-76B	Screw (flat head cross rec.)-No. 6-18 x 1/2"	52010-S8	4
Group 20568-9 WEATHERSTRIP ASSEMBLY (FRONT DOOR FRONT)-AT BELT INNER				
55	BV	R. H. -Rubber-29-3/8" long	BY 7320568-A	1
55	BV	L. H. -Rubber-29-3/8" long	BY 7320569-A	1
Group 20572-3 RETAINER (FRONT DOOR WEATHERSTRIP)-AT BELT				
55	BV60B-60E-64A-64B-76B	R. H. -Zinc Die Cast	B5A 7620572-C	1
55	BV60B-60E-64A-64B-76B	L. H. -Zinc Die Cast	B5A 7620573-C	1
55	BV60B-60E-64A-64B-76B	Screw (pan hd cr. rec.)-No. 6-32 x 3/8"	50127-S8	2
Group 20748 DECAL (STATION WAGON BODY SIDE AND TAILGATE)				
55	BV79C	Maple-33" x 46-3/4"	BA 7920748-B	as req'd
55	BV79C	Mahogany-34 x 48-7/8"	BV 7920748-A	as req'd
55	BV79C	Bond Coat	M 4584	as req'd
55	BV79C	Water Soluble Transfer Solution	M 5412-A	as req'd
Group 20770-1 SHIELD (DOOR WIRING)				
55	BV	Used with Electric Regulator	B5A 7020770-B	2
55	BV	Screw (pan head cross rec.)-No. 10-12 x 5/8"	52735-S8	4
Group 20774 SPACER (FRONT DOOR AND FENDER RAIL)				
55	BV79C	Rubber-13/64" x 7/8"-Used on Front and Rear Door and Fender Rails	BV 7920774-A	as req'd
55	BV79C	Rubber-27/64" x 7/8"-Used on all Rails	BV 7920774-B	as req'd

MERCURY

BODY PARTS CATALOGUE



PMB-136

DOOR WEATHERSTRIP

Group numbers only shown on illustration. Order by Part Numbers shown in list of parts.

MERCURY

BODY PARTS CATALOGUE

YEAR 19	BODY TYPES	REMARKS	PART NUMBER	NO. REQ'D
Group 20904-5 MOULDING ASSEMBLY (FRONT DOOR WINDOW GARNISH)				
55	BV58A	R. H. -In Prime	BV 5820904-AP	1
55	BV58A	L. H. -In Prime	BV 5820905-AP	1
55	BV60B-60E-64A-64B-76B	R. H. -In Prime	B5A 7620904-BP	1
55	BV60B-60E-64A-64B-76B	L. H. -In Prime	B5A 7620905-BP	1
55	BV70B	R. H. -In Prime	B5A 7020904-AP	1
55	BV70B	L. H. -In Prime	B5A 7020905-AP	1
55	BV73B-73C-79B-79C	R. H. -In Prime	B5A 7320904-AP	1
55	BV73B-73C-79B-79C	L. H. -In Prime	B5A 7320905-AP	1
55	BV70B-73B-73C-79B-79C	Screw (oval head cross recessed)-No. 8-15 x 3/4"	52360-S13	as req'd
55	BV60B-60E-64A-64B-76B	Screw (oval head cross recessed)-No. 8-15 x 7/8"	52368-S23	2
55	BV70B-73B-73C-79B-79C	Screw (oval head cross recessed)-No. 8-15 x 1"	52376-S13	2
55	BV60B-60E-64A-64B-76B	Screw (oval head cross recessed)-No. 8-15 x 1-1/4"	52382-S13	2
Group 20910 KIT (DOOR OUTSIDE REAR EDGE MOULDING)				
55	BV except 58A-73B-73C	One Unit Pack consists of 2 Kits	BV 7020910-A	1
55	BV58A-73B-73C	One Unit Pack consists of 2 Kits	BV 7320910-A	1
Group 20914-5 MOULDING ASSY (DOOR TRIM)-FRONT				
55	BV58A	R. H. -Chrome Finish	BV 7920914-A	1
55	BV58A	L. H. -Chrome Finish	BV 7920915-A	1
55	BV64A-64B-76B	R. H. -Chrome Finish	BV 7620914-A	1
55	BV64A-64B-76B	L. H. -Chrome Finish	BV 7620915-A	1
55	BV79C	R. H. -Chrome Finish	BV 7920914-A	1
55	BV79C	L. H. -Chrome Finish	BV 7920915-A	1
Group 20918 RETAINER (DOOR WINDOW GARNISH MOULDING SPACER)				
55	BV	Used on Front and Rear Doors and Headlining	B5A 7020918-A	as req'd
Group 20920-1 MOULDING ASSY (DOOR TRIM)-REAR				
55	BV58A	R. H. -Chrome Finish	BV 7920920-A	1
55	BV58A	L. H. -Chrome Finish	BV 7920921-A	1
55	BV64A-64B-76B	R. H. -Chrome Finish	BV 7620920-A	1
55	BV64A-64B-76B	L. H. -Chrome Finish	BV 7620921-A	1
55	BV79C	R. H. -Chrome Finish	BV 7920920-A	1
55	BV79C	L. H. -Chrome Finish	BV 7920921-A	1
Group 20922 SPACER (DOOR WINDOW GARNISH MOULDING)				
55	BV58A	2-17/32" long	BV 5820922-A	8
55	BV60B-60E-64A-64B-76B	2-1/2" long	B5A 7620922-B	4
55	BV70B-73B-73C-79B-79C	55/64" long	B5A 7020922-B	4or8

MERCURY

BODY PARTS CATALOGUE

YEAR 19	BODY TYPES	REMARKS	PART NUMBER	NO. REQ'D
------------	------------	---------	-------------	--------------

Group 20932 MOULDING (DOOR OUTSIDE UPPER)-CENTER

55	BV64A-64B-76B	Rustless Steel-27" long	BV 7620932-A	2

Group 20934-5 MOULDING (FRONT DOOR OUTSIDE)-AT BELT

55	BV70B	R. H. -Rustless Steel-33-3/4" long	B6A 5920934-A	1
55	BV70B	L. H. -Rustless Steel-33-3/4" long	B6A 5920935-A	1
55	BV73B-73C-79B-79C	R. H. -Rustless Steel-approximately 27-11/64" long	B5A 7320934-B	1
55	BV73B-73C-79B-79C	L. H. -Rustless Steel-approximately 27-11/64" long	B5A 7320935-A	1
55	BV70B-73B-73C-79B-79C	Retainer	B5A 7021060-A	3
55	BV70B-73B-73C-79B-79C	Retainer	B5A 7021062-A	2
55	BV58A	R. H. -Rustless Steel-24-9/16" long	BV 5820934-A	1
55	BV58A	L. H. -Rustless Steel-24-9/16" long	BV 5820935-A	1
55	BV58A	Kit-Moulding Clip (exterior) Consists of the following:	MFK 350021-A	1

- | | | | |
|-------------------|--------------------------------|------------------|----------------|
| (1) 34053-S8 | Nut (hex) | (1) BV 5821092-A | Retainer |
| (1) 34903-S8 | Washer (internal tooth)-No. 10 | (1) BV 5821082-A | Retainer R. H. |
| (1) 52711-S13 | Screw | (1) BV 5821083-A | Retainer L. H. |
| (10) BV 6429192-A | Retainer | | |

Group 20938 MOULDING (FRONT DOOR OUTSIDE)-LOWER

55	BV	Rustless Steel-37-55/64" long	BV 7020938-A	2
55	BV	Kit-Moulding Clips (exterior) Consists of the following:	MFK 350000-A	1

- | | | | |
|--------------|--------------------------------|-------------------|-----------------|
| (2) 34053-S8 | Nut (hex)-No. 10-24 | (2) 352262-S8 | Clip (moulding) |
| (2) 34903-S8 | Washer (internal tooth)-No. 10 | (8) 357786-S8 | Clip (moulding) |
| (2) 44713-S8 | Washer (flat)-No. 10 | (2) 1A-7029074 | Seal |
| | | (12) BV 7629144-A | Retainer |

Group 20942-3 MOULDING ASSEMBLY (FRONT DOOR TRIM)-UPPER

55	BV60B-60E-70B	Rustless Steel-47-11/16" long	BV 7020942-B	2
55	BV73B-73C-79B	Rustless Steel-34-29/32" long	BV 7320942-B	2

Group 20956 MOULDING ASSEMBLY (FRONT DOOR TRIM)-LOWER

55	BV64A-64B-76B	Chrome Finish-42-15/32" long	BV 7620956-A	2
55	BV58A-79C	Chrome Finish-35-3/4" long	BV 7920956-A	2

Group 20958-9 MOULDING ASSY (DOOR TRIM)-CENTER

55	BV58A	R. H. -Rustless Steel-33-3/8" long	BV 5820958-A	1
55	BV58A	L. H. -Rustless Steel-33-3/8" long	BV 5820959-A	1
55	BV64A-64B-76B	R. H. -Chrome Finish-40-9/32" long	BV 7620958-A	1
55	BV64A-64B-76B	L. H. -Chrome Finish-40-9/32" long	BV 7620959-A	1
55	BV79C	R. H. -Chrome Finish-33-41/64" long	BV 7920958-A	1
55	BV79C	L. H. -Chrome Finish-33-41/64" long	BV 7920959-A	1

MERCURY

BODY PARTS CATALOGUE

YEAR 19____	BODY TYPES	REMARKS	PART NUMBER	NO. REQ'D
Group 20960-1 RAIL (FRONT DOOR OUTSIDE FINISH)-UPPER				
55	BV79C	R. H. -Fiber Glass-30-19/64" long	BV 7920960-A	1
55	BV79C	L. H. -Fiber Glass-30-19/64" long	BV 7920961-A	1
55	BV79C	Spacer	BV 7920774-A	as req'd
Group 20972 SPACER (DOOR WINDOW GARNISH MOULDING)-FRONT				
55	BV70B-73B-73C-79B-79C		B5A 7020972-A	2
Group 20996-7 MOULDING (DOOR TRIM)-UPPER				
55	BV58A	R. H. -Rustless Steel-34-1/64" long	BV 5820996-A	1
55	BV58A	L. H. -Rustless Steel-34-1/64" long	BV 5820997-A	1
55	BV64A-64B-76B	R. H. -Rustless Steel-40-29/32" long	BV 7620996-A	1
55	BV64A-64B-76B	L. H. -Rustless Steel-40-29/32" long	BV 7620997-A	1
55	BV79C	R. H. -Rustless Steel-34-7/32" long	BV 7920996-A	1
55	BV79C	L. H. -Rustless Steel-34-7/32" long	BV 7920997-A	1
Group 21010-1 MOULDING AND WEATHERSTRIP ASSEMBLY (DOOR OUTSIDE BELT)				
55	BV60B	R. H. -34-1/64" long-with 1-1/8" W/strip not removed from end	BV 6021010-A	1
55	BV60B	L. H. -34-1/64" long-with 1-1/8" W/strip not removed from end	BV 6021011-A	1
55	BV60B	R. H. -34-1/64" long-with 1-1/8" W/strip removed from end	BV 6021010-B	1
55	BV60B	L. H. -34-1/64" long-with 1-1/8" W/strip removed from end	BV 6021011-B	1
55	BV60B	Screw (pan hd. cr. rec.)-No. 8-32 x 3/4"	52742-S8	8
Group 21060 RETAINER (DOOR OUTSIDE BELT MOULDING)				
55	BV70B-73B-73C-79B-79C		B5A 7021060-A	10or12
Group 21062 RETAINER (DOOR OUTSIDE BELT MOULDING)-END				
55	BV58A	Used on Front and Rear Door	BV 5821062-A	as req'd
55	BV70B-73B-73C-79B-79C	Used on Front, Rear Door and Quarter Panel	B5A 7021062-A	as req'd
Group 21064-5 EXTENSION (FRONT DOOR TRIM MOULDING)-INSIDE				
55	BV60B-73C	R. H. -Rustless Steel	BV 7321064-A	1
55	BV60B-73C	L. H. -Rustless Steel	BV 7321065-A	1
Group 21066 RETAINER (DOOR AND QUARTER PANEL OUTSIDE LOWER MOULDING)				
55	BV79B-79C		BV 7921066-A	as req'd

MERCURY

BODY PARTS CATALOGUE

YEAR 19	BODY TYPES	REMARKS	PART NUMBER	NO. REQ'D
------------	------------	---------	-------------	--------------

Group 21070-1 MOULDING (DOOR OUTSIDE UPPER)-REAR

55	BV64A-64B-76B	R. H. -Rustless Steel	BV 7621070-A	1
55	BV64A-64B-76B	L. H. -Rustless Steel	BV 7621071-A	1
55	BV64A-64B-76B	Kit-Moulding Clip (exterior) Consists of the following:	MFK 350022-A	1

- | | | | |
|--------------|----------------|-------------------|----------------|
| (1) 44713-S8 | Washer | (1) BV 6421046-A | Retainer R. H. |
| (1) 50801-S8 | Screw & Washer | (1) BV 6421047-A | Retainer L. H. |
| (1) 34903-S8 | Washer | (11) BV 6429192-A | Retainer |
| (1) 34053-S8 | Nut (hex) | (1) BV 6421084-A | Retainer R. H. |
| | | (1) BV 6421085-A | Retainer L. H. |

Group 21072-3 MOULDING (DOOR OUTSIDE UPPER)-FRONT

55	BV58A	R. H. -Rustless Steel	BV 5821072-A	1
55	BV58A	L. H. -Rustless Steel	BV 5821073-A	1
55	BV58A	Kit-Moulding Clips (exterior) Consists of the following:	MFK 350021-A	1

- | | | | |
|-------------------|--------------------------------|------------------|----------------|
| (1) 34053-S8 | Nut (hex) | (1) BV 5821092-A | Retainer |
| (1) 34903-S8 | Washer (internal tooth)-No. 10 | (1) BV 5821082-A | Retainer R. H. |
| (1) 52711-S13 | Screw | (1) BV 5821083-A | Retainer L. H. |
| (10) BV 6429192-A | Retainer | | |

55	BV64A-64B-76B	R. H. -Rustless Steel	BV 7621072-A	1
55	BV64A-64B-76B	L. H. -Rustless Steel	BV 7621073-A	1
55	BV64A-64B-76B	Kit-Moulding Clip (exterior) Consists of the following:	MFK 350022-A	1

- | | | | |
|--------------|----------------|-------------------|----------------|
| (1) 44713-S8 | Washer | (1) BV 6421046-A | Retainer R. H. |
| (1) 50801-S8 | Screw & Washer | (1) BV 6421047-A | Retainer L. H. |
| (1) 34903-S8 | Washer | (11) BV 6429192-A | Retainer |
| (1) 34053-S8 | Nut (hex) | (1) BV 6421084-A | Retainer R. H. |
| | | (1) BV 6421085-A | Retainer L. H. |

Group 21072-3 MOULDING KIT (MONTCLAIR BELT MOULDING)-ACCESSORY ON MODELS 60B-60E

55	BV60B-60E-64A-64B	R. H.	MFK 6421072-A	1
55	BV60B-60E-64A-64B	L. H.	MFK 6421073-A	1

Consists of the following:

- | | | | |
|-------------------|------------------------|------------------|---------------------|
| (1) BV 7621072-A | Moulding (door front) | (1) BV 6421084-A | Retainer |
| (1) BV 7621070-A | Moulding (door rear) | (1) 44713-S8 | Washer |
| (1) BV 7620932-A | Moulding (door center) | (1) 50801-S8 | Screw & Washer Assy |
| (1) BV 6429068-A | Moulding (quarter) | (1) 34903-S8 | Washer |
| (1) BV 6421046-A | Retainer | (1) 34053-S8 | Hex Nut |
| (11) BV 6429192-A | Retainer | | |
| (1) BV 7621073-A | Moulding (door front) | (1) BV 6421085-A | Retainer |
| (1) BV 7621071-A | Moulding (door rear) | (1) 44713-S8 | Washer |
| (1) BV 7620932-A | Moulding (door center) | (1) 50801-S8 | Screw & Washer Assy |
| (1) BV 6429069-A | Moulding (quarter) | (1) 34903-S8 | Washer |
| (1) BV 6421047-A | Retainer | (1) 34053-S8 | Hex Nut |
| (11) BV 6429192-A | Retainer | | |

MERCURY

BODY PARTS CATALOGUE

YEAR 19____	BODY TYPES	REMARKS	PART NUMBER	NO. REQ'D
Group 21078-9 MOULDING (FRONT DOOR GARNISH EXTENSION)				
55	BV58A	R. H. -In Prime	BV 5821078-AP	1
55	BV58A	L. H. -In Prime	BV 5821079-AP	1
55	BV58A	Nut (hex)-No. 8-32	34052-S7	2
55	BV58A	Screw (oval head cross rec.)-No. 6-18 x 3/4"	52358-S23	2
55	BV58A	Screw (oval head cross rec.)-No. 8-15 x 1"	52376-S13	2
55	BV58A	Washer (external tooth)-No. 8	34938-S8	4
Group 21082 RETAINER (DOOR UPPER MOULDING)-OUTSIDE				
55	BV70B-73B-73C		BV 7021082-A	as req'd
Group 21162 FILLER (FRONT DOOR WINDOW GARNISH MOULDING)-FRONT JOINT TRIM				
55	BV58A	Rubber-Used on Front and Rear Doors	BV 5821162-A	4
Group 21406-7 FRAME & GLASS ASSY (FRONT DOOR VENTILATOR WINDOW)				
55	BV70B-73B-73C-79B-79C	R. H.	B5A 7021406-B	1
55	BV70B-73B-73C-79B-79C	L. H.	B5A 7021407-B	1
Group 21410 GLASS (FRONT DOOR WINDOW)				
55	BV58A	Clear	BV 5821410-A	2
55	BV58A	Tinted (Green)	BV 5821410-B	2
55	BV60B-60E	Clear	B5A 6021410-E	2
55	BV60B-60E	Tinted (Green)	B5A 6021410-F	2
55	BV64A-64B-76B	Clear	B5A 7621410-E	2
55	BV64A-64B-76B	Tinted (Green)	B5A 7621410-F	2
55	BV70B	Clear	B5A 7021410-E	2
55	BV70B	Tinted (Green)	B5A 7021410-F	2
55	BV73B-73C-79B-79C	Clear	B5A 7321410-E	2
55	BV73B-73C-79B-79C	Tinted (Green)	B5A 7321410-F	2
Group 21412 GLASS (FRONT DOOR VENT WINDOW)				
55	BV58A	Clear	BV 5821412-A	2
55	BV58A	Tinted (Green)	BV 5821412-B	2
55	BV60B-60E	Clear	B5A 6021412-A	2
55	BV60B-60E	Tinted (Green)	B5A 6021412-B	2
55	BV64A-64B-76B	Clear	B5A 7621412-A	2
55	BV64A-64B-76B	Tinted (Green)	B5A 7621412-B	2
55	BV70B-73B-73C-79B-79C	Clear	B5A 7021412-C	2
55	BV70B-73B-73C-79B-79C	Tinted (Green)	B5A 7021412-D	2

MERCURY

BODY PARTS CATALOGUE

YEAR 19____	BODY TYPES	REMARKS	PART NUMBER	NO. REQ'D
Group 21414-5 WINDOW ASSEMBLY (FRONT DOOR VENTILATOR)-LESS GLASS				
55	BV58A	R. H. -includes division bar & rain shield	BV 5821414-B	1
55	BV58A	L. H. -includes division bar & rain shield	BU 5821415-A	1
55	BV60B-60E	R. H. -including division bar & rain shield	EDBN 6021414-A	1
55	BV60B-60E	L. H. -including division bar & rain shield	EDBN 6021415-A	1
55	BV64A-64B-76B	R. H. -including division bar & rain shield	BN 7621414-A	1
55	BV64A-64B-76B	L. H. -including division bar & rain shield	BN 7621415-A	1
55	BV70B-73B-73C-79B-79C	R. H. -includes division bar	BN 7021414-A	1
55	BV70B-73B-73C-79B-79C	L. H. -includes division bar	BN 7021415-A	1
55	BV58A-60B-60E-64A-64B-76B	Screw & Washer Assy (hex hd)-5/16"-24 x 3/4"	42905-S8	2
55	BV60B-60E-64A-64B-76B	Locknut (hex)-3/8"-24	356129-S8	2
55	BV60B-60E-64A-64B-76B	Lockwasher-3/8"	34847-S8	2
55	BV60B-60E-64A-64B-76B	Nut (hex jam)-3/8"-24	33925-S8	2
55	BV60B-60E-64A-64B-76B	Nut (spring)-3/8"	34807-S8	2
55	BV60B-60E-64A-64B-76B	Retainer Assy (nut)	353669-S2	2
55	BV60B-60E-64A-64B-76B	Screw (fillister head)-1/4"-20 x 1-1/4"	31144-S7	2
55	BV60B-60E-64A-64B-76B	Screw (set)-3/8"-24	355772-S8	2
55	BV70B-73B-73C	Rivet (pan head)-9/16" x 1/4"	351879-S8	4
55	BV70B-73B-73C	Screw (oval head cr. recess)-No. 10-12 x 1/2"	52345-S13	2
55	BV70B-73B-73C-79B-79C	Screw (special head)-1/4"-20 x 2-1/8"	357516-S8	2or4

Group 21448-9 WEATHERSTRIP (FRONT DOOR VENT WINDOW)

55	BV58A	R. H. -Rubber	BV 5821448-B	1
55	BV58A	L. H. -Rubber	BV 5821449-B	1
55	BV60B-60E	R. H. -Rubber	B5A 6021448-B	1
55	BV60B-60E	L. H. -Rubber	B5A 6021449-B	1
55	BV64A-64B-76B	R. H. -Rubber	B5A 7621448-B	1
55	BV64A-64B-76B	L. H. -Rubber	B5A 7621449-B	1
55	BV70B-73B-73C-79B-79C	R. H. -Rubber	B5A 7021448-B	1
55	BV70B-73B-73C-79B-79C	L. H. -Rubber	B5A 7021449-B	1
55	BV58A	Screw (flat head cross rec.)-No. 6-32 x 3/4"	51077-S8	6
55	BV60B-60E-64A-64B-76B	Screw (fillister head cr. rec.)-No. 6-32 x 3/8"	51554-S8	6

MERCURY

BODY PARTS CATALOGUE

YEAR 19___	BODY TYPES	REMARKS	PART NUMBER	NO. REQ'D
Group 21450-1 WEATHERSTRIP (DOOR VENT WINDOW DIVISION BAR)				
55	BV58A	Rubber-12-35/64" long	BV 5821450-A	2
55	BV60B-60E	R. H. -Rubber-13-51/64" long	B5A 6021450-A	1
55	BV60B-60E	L. H. -Rubber-13-51/64" long	B5A 6021451-A	1
55	BV64A-64B-76B	R. H. -Rubber-12" long	B5A 7621450-A	1
55	BV64A-64B-76B	L. H. -Rubber-12" long	B5A 7621451-A	1
55	BV70B-73A-73B-79B-79C	Rubber-13-13/64" long	B5A 7021450-B	2
55	BV	Rivet (semi-tubular)-9/64" x 13/64"	351909-S8	8
Group 21452-3 WEATHERSTRIP (FRONT DOOR GLASS AT BELT)-OUTER & INNER				
55	BV58A	17-25/32" long-remove clips for inner W/strip	BV 5821452-A	2
55	BV60E-64A-64B-76B	R. H. -Rustless Steel Beading-25-51/64" long	B5A 6021452-D	1
55	BV60E-64A-64B-76B	L. H. -Rustless Steel Beading-25-51/64" long	B5A 6021453-D	1
55	BV70B	R. H. -23-51/64" long-remove clips for inner W/strip	B5A 7021452-B	1
55	BV70B	L. H. -23-51/64" long-remove clips for inner W/strip	B5A 7021453-B	1
55	BV73B-73C-79B-79C	R. H. -16-31/32" long-remove clips for inner W/strip	B5A 7321452-B	1
55	BV73B-73C-79B-79C	L. H. -16-31/32" long-remove clips for inner W/strip	B5A 7321453-B	1
Group 21456 WEATHERSTRIP (DOOR GLASS AT BELT)-INSIDE				
55	BV60B-60E-64A-64B-76B		B5A 7621456-A	2
55	BV60B-60E-64A-64B-76B	Rivet (pan head)-9/64" x 13/64"	351909-S8	2
55	BV60B-60E-64A-64B-76B	Screw (pan head cross recess)-No. 8-15 x 3/8"	52720-S13	2
Group 21458-9 CHANNEL AND BRACKET ASSEMBLY (FRONT DOOR GLASS)				
55	BV58A	R. H.	BV 5821458-A	1
55	BV58A	L. H.	BV 5821459-A	1
55	BV60B-60E-64A-64B-76B	R. H. -Chrome Finish	B5A 6021458-B	1
55	BV60B-60E-64A-64B-76B	L. H. -Chrome Finish	B5A 6021459-B	1
55	BV70B	R. H. -Chrome Finish	B5A 7021458-B	1
55	BV70B	L. H. -Chrome Finish	B5A 7021459-B	1
55	BV73B-73C-79B-79C	R. H. -Chrome Finish	B5A 7321458-B	1
55	BV73B-73C-79B-79C	L. H. -Chrome Finish	B5A 7321459-B	1
55	BV	Washer-5/8" I. D. x 7/8" O. D.	351513-S8	4
Group 21464 BRACKET (FRONT DOOR VENTILATING WINDOW UPPER PIVOT)				
55	BV except 70B-73B-73C-79B-79C	Chrome Finish	B5A 7621464-A	2
Group 21478 STRIP (DOOR GLASS RETAINING)-UPPER				
55	BV60B-60E	N. S. -to be procured locally	B5A 6021478-A	2

MERCURY

BODY PARTS CATALOGUE

YEAR 19	BODY TYPES	REMARKS	PART NUMBER	NO. REQ'D
Group 21508-9 RUN ASSEMBLY (DOOR GLASS)-LOCK SIDE-COMLETE				
55	BV60B-60E-64A-64B-76B	R. H. -22-3/64" long	B5A 6021508-B	1
55	BV60B-60E-64A-64B-76B	L. H. -22-3/64" long	B5A 6021509-B	1
55	BV60B-60E-64A-64B-76B	Bracket assembly	BM 7022912-A	1
55	BV60B-60E-64A-64B-76B	Nut (hex)-1/4"-20	33795-S	4
55	BV60B-60E-64A-64B-76B	Screw and washer assy (hex head)-No. 12-24 x 7/16"	355819-S8	2
55	BV60B-60E-64A-64B-76B	Stud-1/4"-20 x 1-1/16"	353866-S8	2
55	BV60B-60E-64A-64B-76B	Washer (special)-1/4"	351274-S7	4
Group 21514 SUPPORT ASSEMBLY (DOOR GLASS RUN)-LOWER LOCK SIDE				
55	BV60B-60E-64A-64B-76B		B5A 6021514-B	2
55	BV60B-60E-64A-64B-76B	Screw and Washer Assy (hex head)-No. 12-24 x 7/16"	355819-S8	2
Group 21524 RIVET (DIVISION BAR WEATHERSTRIP)-VENTILATOR WINDOW				
55	BV		0A 7021524	8or16
Group 21525 ROLLER ASSEMBLY (DOOR WINDOW GLASS FRAME)				
55	BV60B-60E-64A-64B-76B		B5A 6021525-A	4
Group 21546 RUN (DOOR GLASS DIVISION BAR)				
55	BV58A	31-13/16" long	BV 5821546-B	2
55	BV60B-60E	32-29/64" long	B5A 6021546-A	2
55	BV70B-73B-73C-79B-79C	30-15/32" long	B5A 7021546-C	2
55	BV64A-64B-76B	R. H. -30-43/64" long	B5A 7621546-A	1
55	BV64A-64B-76B	L. H. -30-43/64" long	B5A 7621547-A	1
55	BV	Rivet (pan head semi-tubular)-9/64"	351909-S8	2
Group 21550 RUN ASSEMBLY (FRONT DOOR GLASS)-LOCK SIDE				
55	BV58A	30-9/32" long	BV 5821550-A	2
55	BV70B	54-9/16" long	B5A 7021550-B	2
55	BV73B-73C-79B-79C	50-17/64" long	B5A 7321550-A	2
55	BV70B-73B-73C-79B-79C	Nut (plain)-No. 12-24	34128-S7	2
55	BV70B-73B-73C-79B-79C	Screw and washer assy (hex head)-No. 12-24 x 5/8"	50811-S8	2

MERCURY

BODY PARTS CATALOGUE

YEAR 19	BODY TYPES	REMARKS	PART NUMBER	NO. REQ'D
Group 21596 RUN ASSEMBLY (FRONT DOOR GLASS)-TOP				
55	BV58A	18-17/64" long	BV 5821596-A	2
Group 21760 BRACKET (DOOR WINDOW STOP)-LOWER				
55	BV58A	Front Door Only	BY 7321760-A	2
55	BV60B-60E	Front Door Only	B5A 6021760-A	2
55	BV except 60B-60E	Used on both Front and Rear Doors	B5A 7021760-A	2or4
Group 21762 BUMPER (DOOR WINDOW STOP)				
55	BV	Rubber-Used on Front and Rear Doors	B5A 7021762-B	2or4
Group 21770 STOP (DOOR WINDOW)-UPPER				
55	BV60B-60E-64A-64B-76B		B5A 6021770-B	4
55	BV60B-60E-64A-64B-76B	Screw and Washer Assy (hex head)-No. 12-24 x 7/16"	355819-S8	8
Group 21774-5 BUMPER ASSEMBLY (DOOR VENT WINDOW FRAME)				
55	BV60B-60E-64A-64B-76B	R. H.	B5A 6021774-B	1
55	BV60B-60E-64A-64B-76B	L. H.	B5A 6021775-B	1
Group 21812-3 LOCK ASSEMBLY (FRONT DOOR)				
55	BV	R. H.	B5A 7021812-B	1
55	BV	L. H.	B5A 7021813-B	1
55	BV	Screw and washer assy (pan hd cross recessed)-No. 12-24 x 3/8"	50811-S8	2
55	BV	Screw & Washer Assy (hex head)-No. 12-24 x 7/16	355819-S8	6
Group 21818-9 CONTROL ASSEMBLY (FRONT DOOR LOCK REMOTE)				
55	BV58A	R. H.	BV 5821818-B	1
55	BV58A	L. H.	BV 5821819-B	1
55	BV60B-60E-64A-64B-76B	R. H.	B5A 7021818-B	1
55	BV60B-60E-64A-64B-76B	L. H.	B5A 7021819-B	1
55	BV73B-73C-79B-79C	R. H.	B5A 7321818-B	1
55	BV73B-73C-79B-79C	L. H.	B5A 7321819-B	1
55	BV	Screw and washer assy (hex hd)-No. 12-24 x 7/16"	355819-S8	6
Group 21850 KNOB (DOOR LOCKING CONTROL ROD)				
55	BV	Plastic	1L 7221850	2or4

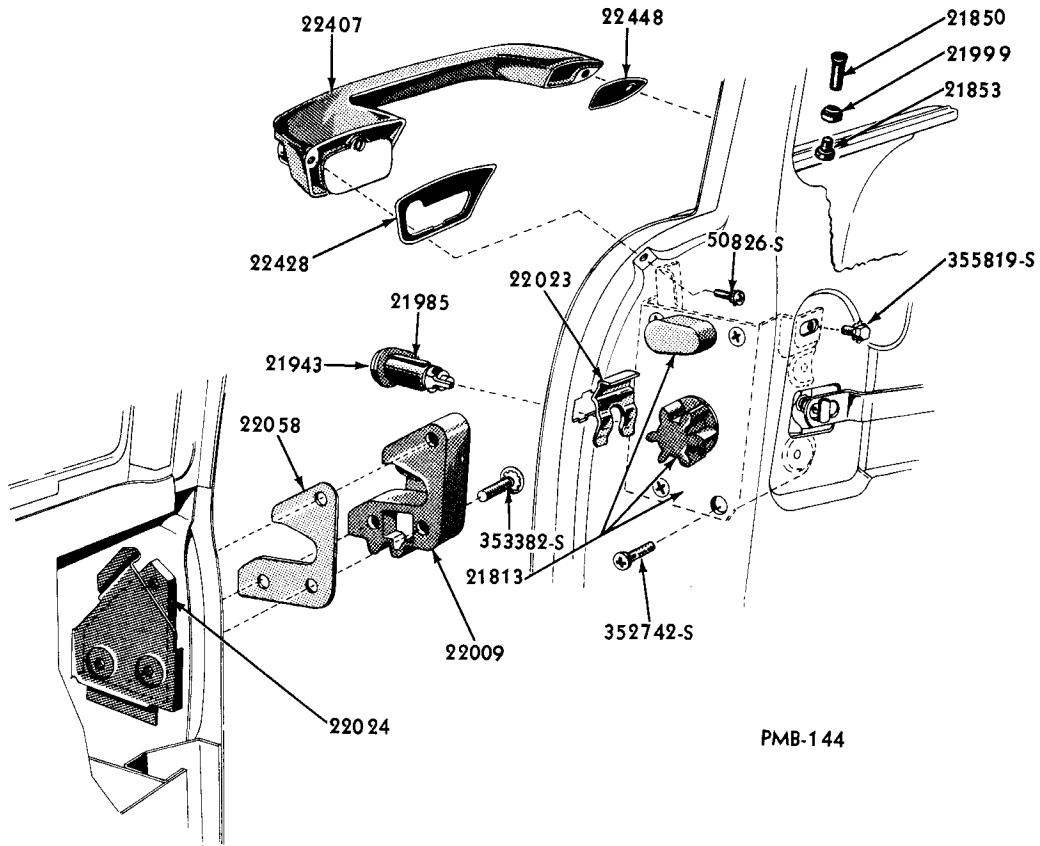
MERCURY

BODY PARTS CATALOGUE

YEAR 19____	BODY TYPES	REMARKS	PART NUMBER	NO. REQ'D
Group 21852-3 ROD (FRONT DOOR LOCK PUSH BUTTON)				
55	BV58A	R. H.	BV 5821852-B	1
55	BV58A	L. H.	BV 5821853-B	1
55	BV60B-60E-64A-64B-76B	R. H. -Used on models with lock hole 2-7/8" from end of Garnish Moulding	B5A 6021852-B	1
55	BV60B-60E-64A-64B-76B	L. H. -Used on models with lock hole 2-7/8" from end of Garnish Moulding	B5A 6021853-B	1
55	BV60B-60E-64A-64B-76B	R. H. -Used on models with lock hole 2" from end of Garnish Moulding	B5A 6021852-A	1
55	BV60B-60E-64A-64B-76B	L. H. -Used on models with lock hole 2" from end of Garnish Moulding	B5A 6021853-A	1
55	BV70B-73B-73C-79B-79C	7-1/8" long	B6A 7021852-A	2
Group 21858 SPRING (DOOR LOCK MAIN)				
55	BV		BA 7021858-A	2or4
Group 21872-3 SPRING (DOOR LOCK TOGGLE)				
55	BV	R. H. -Used on Front and Rear Doors	BA 7021872-B	as req'd
55	BV	L. H. -Used on Front, Rear Door and Lift Gate	BA 7021873-B	as req'd
Group 21878-9 PLATE (FRONT DOOR LOCK MOUNTING)				
55	BV58A	R. H.	BV 5821878-B	1
55	BV58A	L. H.	BV 5821879-B	1
55	BV58A	Screw & Washer Assy (flat head)-No. 12-24 x 7/16"	353908-S8	8
Group 21909 SLEEVE (DOOR LOCK PAWL STOP)				
55	BV	Rubber	0A 7021909	2or4
Group 21910 SPRING (DOOR LOCK REMOTE CONTROL)				
55	BV	Steel-3 coils	8A 7021910-C	2or4
Group 21936 ESCUTCHEON (DOOR LOCK CYLINDER)				
55	BV79B-79C	Chrome Finish	BA 7921936-A	2
Group 21942-3 COVER AND SPRING KIT (DOOR LOCK CYLINDER)				
55	BV	R. H.	B2A 7021942-A	1
55	BV	L. H.	B2A 7021943-A	1
Group 21952 CLIP (DOOR LOCK ROD)				
55	BV		B5A 7021952-A	2or4
Group 21953 ADAPTOR (DOOR LOCK CYLINDER)				
55	BV79B-79C		BC 7921953-B	2

MERCURY

BODY PARTS CATALOGUE



PMB-144

DOOR LOCK PARTS

Group numbers only shown on illustration. Order by Part Numbers shown in list of parts.

YEAR 19__	BODY TYPES	REMARKS	PART NUMBER	NO. REQ'D
Group 21984-5 CYLINDER ASSEMBLY (FRONT DOOR LOCK)-WITH KEYS				
55	BV except 79B-79C	R. H.	BV 7021984-A	1
55	BV except 79B-79C	L. H.	BV 7021985-A	1
Group 21988 SPRING (DOOR LOCK PAWL STOP)				
55	BV79B-79C	Used with tail gate	0A 7021988	2
Group 21999 GROMMET (DOOR LOCK KNOB)				
55	BV	Rubber-Front and Rear Doors	8M 7221999	2or4
Group 22006-7 SPRING (DOOR LOCK CYLINDER KEY HOLE COVER)				
55	BV	R. H. - Front door and Station Wagon Lift Gate	BA 7022006-A	1or2
55	BV	L. H. - Front Door and Luggage Compartment Lock	BA 7022007-A	1or2

MERCURY

BODY PARTS CATALOGUE

YEAR 19	BODY TYPES	REMARKS	PART NUMBER	NO. REQ'D
Group 22008-9 PLATE ASSEMBLY (DOOR LOCK STRIKER)				
55	BV	R. H. -Zinc Die Cast-Used on Front and Rear Door	B5A 7022008-C	1or2
55	BV	L. H. -Zinc Die Cast-Used on Front and Rear Door	B5A 7022009-C	1or2
55	BV	Screw and washer assy (clutch head)-5/16-24 x 1"	354488-S8	
Group 22023 RETAINER (DOOR LOCK CYLINDER)				
55	BV		B5A 7022023-A	2
Group 22024 PLATE (DOOR LOCK STRIKER TAPPING)				
55	BV60B-60E-64A-64B-76B		B5A 7622024-A	2
55	BV58A-70B-73B-73C-79B-79C	Used on Front and Rear Door Locks	B5A 7022024-A	2or4
Group 22042 PAD (DOOR LOCK CYLINDER)				
55	BV79C	Rubber	BA 7922042-A	2
Group 22058 SHIM (DOOR LOCK STRIKER PLATE)				
55	BV		B5A 7022058-A	as req'd
55	BV	Used when Servicing 1955 Mercury with a "BU" Quarter Panel	B5A 7022058-B	as req'd
Group 22075 SPRING (DOOR LOCK OPERATING LEVER)-RETAINING				
55	BV except 79B-79C		BAAA 8122075-A	2
Group 22200-1 FRAME ASSEMBLY (FRONT DOOR GLASS)-WITH GLASS RUN				
55	BV58A	R. H.	BV 5822200-B	1
55	BV58A	L. H.	BV 5822201-B	1
55	BV58A	Screw & Washer Assy (hex head)-1/4"-28 x 5/8"	42904-S8	6

MERCURY

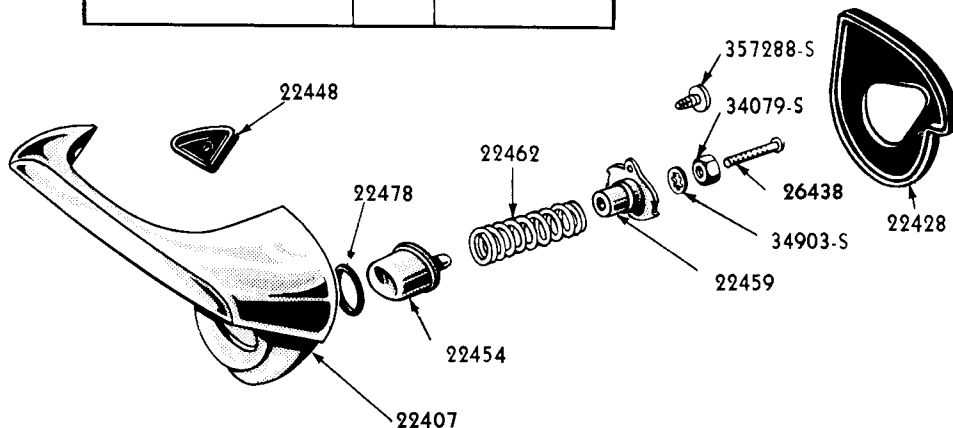
BODY PARTS CATALOGUE

YEAR 19	BODY TYPES	REMARKS	PART NUMBER	NO. REQ'D
Group 22206-7 FRAME ASSEMBLY (FRONT DOOR VENTILATING WINDOW)-LESS GLASS				
55	BV58A	R. H.	BV 5822206-A	1
55	BV58A	L. H.	BV 5822207-A	1
55	BV60B-60E	R. H.	BN 6022206-A	1
55	BV60B-60E	L. H.	BN 6022207-A	1
55	BV64A-64B-76B	R. H.	BN 7622206-A	1
55	BV64A-64B-76B	L. H.	BN 7622207-A	1
55	BV70B-73B-73C-79B-79C	R. H.	BN 7022206-A	1
55	BV70B-73B-73C-79B-79C	L. H.	BN 7022207-A	1
55	BV60B-60E-64A-64B-76B	Rivet (oval head-semi tubular)-1/8" x 7/32"	63293-S3	6
Group 22210-1 BRACKET ASSEMBLY (DOOR VENTILATOR WINDOW FRAME MOUNTING)-LOWER				
55	BV60B-60E-64A-64B-76B	R. H.	EDBN 7622210-A	1
55	BV60B-60E-64A-64B-76B	L. H.	EDBN 7622211-A	1
55	BV60B-60E-64A-64B-76B	Screw (set -1-9/16"long)-3/8"-24	ED 355748-S8	1
Group 22220-1 FRAME ASSEMBLY (DOOR GLASS)				
55	BV60B-60E	R. H.	B5A 6022220-D	1
55	BV60B-60E	L. H.	B5A 6022221-D	1
55	BV64A-64B-76B	R. H.	B5A 7622220-C	1
55	BV64A-64B-76B	L. H.	B5A 7622221-C	1
Group 22286 BUTTON (FRONT DOOR WINDOW FRAME ACCES PLUG)				
55	BV58A		BV 5822286-B	4
Group 22406-7 HANDLE ASSEMBLY (DOOR OUTSIDE)-LESS PIN-FRONT AND REAR				
55	BV58A	R. H. -Front and Rear Doors	BV 5822406-A	2
55	BV58A	L. H. -Front and Rear Doors	BV 5822407-A	2
55	BV except 58A	R. H. -Front and Rear Door	BV 7022406-A	2
55	BV except 58A	L. H. -Front and Rear Door	BV 7022407-A	2
55	BV	Nut (hex)-No. 10-32	34079-S7	2
55	BV	Screw and Washer Assy (pan head)-No. 10-32 x 1-1/2"	42802-S8	2
55	BV	Screw and Washer Assy (pan head)-No. 10-32 x 1/2"	50930-S8	2or4
55	BV	Washer (lock)-No. 10	34823-S7	2

MERCURY

BODY PARTS CATALOGUE

THEORETICAL PIN SETTINGS	A	ASS'Y.
BV 73 REAR DOOR	7/16"	BV-7022406-7A
BV 73,79 FRONT DOOR	1/2"	BV-7022406-7A
BV 70 DOOR	1/2"	BV-7022406-7A
BV 60,64 DOOR	55/64"	BV-7022406-7A
BV 76 DOOR	55/64"	BV-7022406-7A
BV 58 FRONT & REAR DOOR	31/32"	BV-5822406-7A



PMB-63

DOOR HANDLE

Group numbers only shown on illustration. Order by Part Numbers shown in list of parts.

YEAR 19__	BODY TYPES	REMARKS	PART NUMBER	NO. REQ'D
Group 22428 PAD (OUTSIDE DOOR HANDLE)-LARGE				
55	BV58A	Vynylite	BV 5822428-A	4
55	BV except 58A	Rubber or Vynylite	BV 7022428-A	2or4
Group 22438 PIN (FRONT DOOR OUTSIDE HANDLE RELEASE)				
55	BV60B-60E-64A-64B-76B	1-27/64" long	B5A 7622438-A	2
55	BV70B-73B-73C-79B-79C	1-9/16" long	0A 7622438	2
55	BV58A	Used on Rear Door-1-3/32" long	0A 7022438	2
55	BV58A	Used on Front Door-1-51/64" long	BD 7622438-A	2
Group 22442-3 RETAINER ASSEMBLY (OUTSIDE DOOR HANDLE PUSH BUTTON)-FRONT AND REAR				
55	BV	R. H. -Chrome Finish	BV 7022442-A	1or2
55	BV	L. H. -Chrome Finish	BV 7022443-A	1or2
Group 22446 KIT-SHIELD (DOOR HANDLE)				
55	BV except 64A-64B-76B	Consists of the following: (4) BV 7022414-A (Shield) (4) BV 7022415-A (Shield)	BV 7022446-A	1

MERCURY

BODY PARTS CATALOGUE

YEAR 19___	BODY TYPES	REMARKS	PART NUMBER	NO. REQ'D
Group 22448 PAD (OUTSIDE DOOR HANDLE)-SMALL				
55	BV58A	Rubber on Vinyl	BV 5822448-A	4
55	BV except 58A	Rubber on Vinyl	BV 7022448-A	2or4
Group 22454 BUTTON AND GUIDE ASSEMBLY (OUTSIDE DOOR HANDLE)				
55	BV	Front and Rear Door	BV 7022454-A	2or4
Group 22459 RETAINER (OUTSIDE DOOR HANDLE PUSH BUTTON)-FRONT AND REAR				
55	BV	Zinc Die Cast	BC 7022459-A	2or4
Group 22462 SPRING (OUTSIDE DOOR HANDLE PUSH BUTTON)-FRONT AND REAR				
55	BV	Steel-approximate length 1-41/64"-Used for Front and Rear Doors	BA 7022462-A	2or4
Group 22478 SEAL (DOOR OUTSIDE HANDLE PUSH BUTTON)-FRONT AND REAR				
55	BV	Rubber ring-15/16" I. D. -Used with door handles	BA 7022478-A	2or4
55	BV79B-79C	Tailgate Handle Only	BC 7022478-A	2
Group 22600 HANDLE ASSEMBLY (DOOR INSIDE)				
55	BV	Zinc Die Cast-Chrome Finish	BV 7022600-B	2or4
55	BV	Retainer (spring)	357550-S	2or4
Group 22618 ESCUTCHEON ASSEMBLY (INSIDE HANDLE)				
55	BV64A-64B-76B	Chrome Finish	BC 7622618-A	2
Group 22624 SPRING (INSIDE DOOR HANDLE AND WINDOW REGULATOR HANDLE)				
55	BV58A-70B-73B-73C-79B-79C	Quarter Window & Rear Door Regulator	BA 7022624-B	2
55	BV	Front & Rear Door Handle-Front Door Regulator	1A 7022624	4or6
Group 22800-1 HINGE ASSEMBLY (FRONT DOOR)-UPPER				
55	BV		B5A 7022800-A	1
55	BV		B5A 7022801-A	1
55	BV	Screw (hex-hd)-5/16"-24 x 1"	358437-S2	as req'd
55	BV	Washer (flat)-5/16"	44722-S8	as req'd
Group 22810-1 HINGE ASSEMBLY (FRONT DOOR)-LOWER				
55	BV	R. H.	B5A 7022810-A	1
55	BV	L. H.	B5A 7022811-A	1
55	BV	Screw (hex head)-5/16"-24 x 1"	358437-S2	as req'd

MERCURY

BODY PARTS CATALOGUE

YEAR 19____	BODY TYPES	REMARKS	PART NUMBER	NO. REQ'D
Group 22826 PLUG BUTTON (DOOR RUN ACCESS HOLE)				
55	BV58A-64A-64B-76B	Steel	BN 7022826-A	2
Group 22826-7 PLATE (DOOR HINGE ACCESS COVER)				
55	BV	R. H.	B5A 7022826-A	1
55	BV	L. H.	B5A 7022827-A	1
Group 22840 PIN (DOOR HINGE)				
55	BV	2-7/16" long	B5A 7022840-A	4
Group 22856 KIT (WINDOW SHADE)-OUTSIDE				
55	B58A	Front and Rear Door	BV 5822856-A	1
55	BV60B-60E	Front Door and Quarter Window	BV 6022856-A	1
55	BV64A-64B	Front Door and Quarter Window	BV 6422856-A	1
55	BV70B	Front Door	BV 7022856-A	1
55	BV73B-73C	Front and Rear Door	BV 7322856-A	1
Group 22884-5 RAIN SHIELD (FRONT DOOR VENTILATOR WINDOW)				
55	BV58A	R. H. -Rustless Steel	BV 5822884-A	1
55	BV58A	L. H. -Rustless Steel	BV 5822885-A	1
55	BV60B-60E	R. H. -Rustless Steel	B5A 6022884-A	1
55	BV60B-60E	L. H. -Rustless Steel	B5A 6022885-A	1
55	BV64A-64B-76B	R. H. -Rustless Steel	B5A 7622884-A	1
55	BV64A-64B-76B	L. H. -Rustless Steel	B5A 7622885-A	1
55	BV70B-73B-73C-79B-79C	R. H. -Rustless Steel	B5A 7022884-B	1
55	BV70B-73B-73C-79B-79C	L. H. -Rustless Steel	B5A 7022885-B	1
55	BV64A-64B-76B	Rivet (pan head)-9/64"	351879-S8	2
55	BV60B-60E-64A-64B-76B	Screw (flat head)-No. 6-32 x 1/4"	50001-S8	2
55	BV70B-73B-73C-79B-79C	Screw (pan head cr. rec.)-No. 7-16 x 3/8"	52720-S8	6
Group 22912 BRACKET ASSEMBLY (DOOR VENTILATOR WINDOW GLASS RUN)-LOWER INNER				
55	BV	Used on Front and Rear Doors	BM 7022912-A	2or4
55	BV	Screw and Washer Assmebly (hex-head)-No. 12-24 x 7/16"	355819-S8	2
Group 22916-7 HANDLE (DOOR VENTILATOR WINDOW FRAME)				
55	BV58A-73C	R. H. -Rear Door	8M 7022916	1
55	BV58A-73C	L. H. -Rear Door	8M 7022917	1
55	BV	R. H. -Front Door	8A 7022916-C	1
55	BV	L. H. -Front Door	8A 7022917-C	1
55	BV	Roll Pin	352471-S7	2
Group 22920 KEY (DOOR VENTILATOR WINDOW FRAME)-HANDLE LOCKING				
55	BV	Used on all Ventilator Windows	8A 7022920	2or4

MERCURY

BODY PARTS CATALOGUE

YEAR 19__	BODY TYPES	REMARKS	PART NUMBER	NO. REQ'D
Group 22926 SPRING (FRONT AND REAR DOOR VENTILATOR WINDOW PIVOT)				
55	BV	Used on Front Doors all models-and Rear Door 58A Model	B5A 7022926	2or4
55	BV73C	Used on Rear Door Only	01A 7022926	2
55	BV	Nut (self-locking hexagon)-5/16"-24	351141-S8	2
Group 22963 WASHER (QUARTER VENTILATOR WINDOW PIVOT FRICTION)-FRONT AND REAR DOOR				
55	BV70B-73B-73C-79B-79C		8A 7022963	2or4
55	BV70B-73B-73C-79B-79C	Washer (special grommet)	356425-S	2
Group 22982 WASHER (DOOR VENTILATOR WINDOW PIVOT)-FRONT AND REAR DOOR				
55	BV	25/64" L D. x 39/64" O. D. -Used on all Ventilator Windows	O1A 7022982	2or4
Group 22986 SPRING (DOOR VENTILATOR WINDOW HANDLE)				
55	BV	Free length 7/16"-Used on all Ventilator Windows	O1A 7022986	2or4
Group 22992 STOP (DOOR VENT WINDOW PIVOT)				
55	BV	Chrome Finish	B5A 7022992-A	2
Group 23030 DOOR BUMPER (PANEL TAILGATE)-UPPER				
55	BV79B-79C	Rubber	11A 7023030-B	2

Group 23206-7 REGULATOR ASSEMBLY (DOOR WINDOW)-LESS LINK

55	BV	R. H.	B5A 7023206-A	1
55	BV	L. H.	B5A 7023207-A	1

Group 23208-9 REGULATOR ASSEMBLY (FRONT DOOR WINDOW)-LESS MOTOR AND DRIVE

55	BV	R. H. -Electric Control	B5A 7023208-A	1
55	BV	L. H. -Electric Control	B5A 7023209-A	1

Group 23218 LINK ASSEMBLY (DOOR WINDOW REGULATOR)

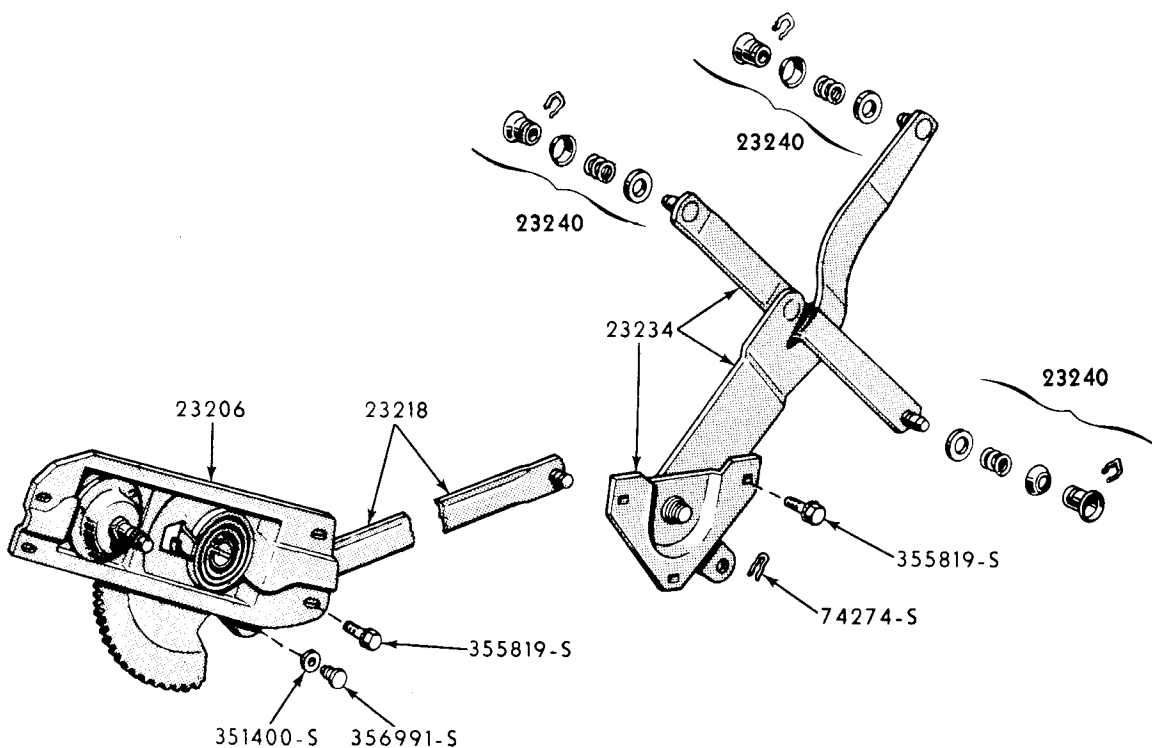
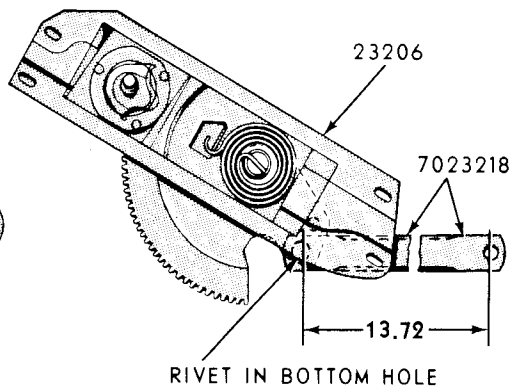
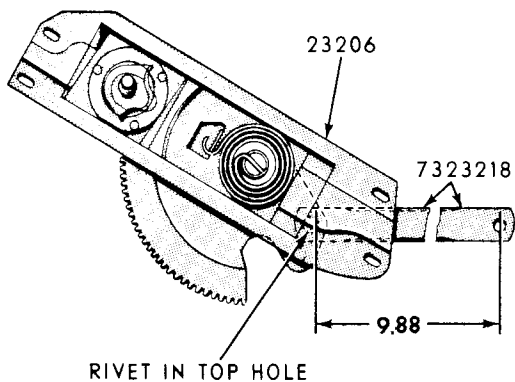
55	BV60B-60E-64A-64B-76B		BN 7023218-A	2
55	BV58A-73B-73C-79B-79C	For 73-79 install in upper hole of Regulator 23206-7 For 58A install in lower hole of Regulator 23206-7	B5A 7323218-A	2
55	BV70B		B5A 7023218-B	2
55	BV	Rivet (special shoulder)	356991-S8	2

MERCURY

BODY PARTS CATALOGUE

FOR MODELS 70,73,79

FOR MODEL 58,60,64,76



PMB-83

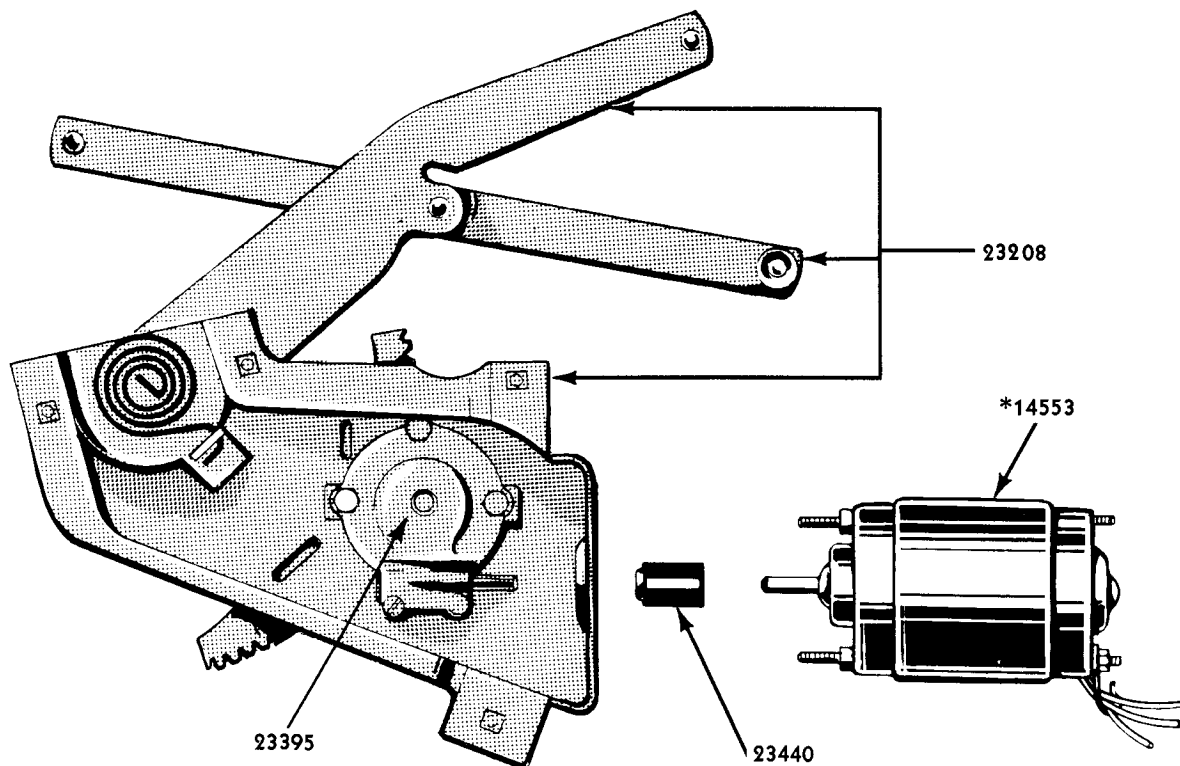
DOOR WINDOW REGULATORS AND LINK ASSEMBLIES

Group numbers only shown on illustration. Order by Part Numbers shown in list of parts.

YEAR 19__	BODY TYPES	REMARKS	PART NUMBER	NO. REQ'D
Group 23234-5 ARM AND PLATE ASSEMBLY (DOOR WINDOW REGULATOR)				
55	BV	R. H. -Manual Regulator	B5A 7023234-A	1
55	BV	L. H. -Manual Regulator	B5A 7023235-A	1
55	BV	Screw and Washer assy (hex head)-No. 12-24 x 7/16"	355819-S8	6
Group 23240 ROLLER ASSEMBLY (DOOR WINDOW REGULATOR)				
55	BV		BA 7023240-A	as req'd

MERCURY

BODY PARTS CATALOGUE



*FOR ADDITIONAL INFORMATION REFER TO
CHASSIS PARTS CATALOGUE

PMB-12

FRONT DOOR ELECTRIC WINDOW REGULATOR

Group numbers only shown on illustration. Order by Part Numbers shown in list of parts.

YEAR 19__	BODY TYPES	REMARKS	PART NUMBER	NO. REQ'D
Group 23279 COUPLING (4-WAY SEAT MOTOR TO REGULATOR)				
55	BV	Rubber - Used with "B" design Regulators Vertical & Horizontal	BC 7023279-A	1
Group 23283 GROMMET (DOOR WINDOW REGULATOR)-MOTOR MOUNTING				
55	BV	Rubber	BD 7323283-A	2or4
Group 23318-9 SPRING (FRONT DOOR WINDOW REGULATOR COUNTER BALANCE)				
55	BV	R. H. -Used on front door windows & 70B quarter	B5A 7323318-A	1
55	BV	L. H. -Used on front door windows & 70B quarter	B5A 7323319-A	1
Group 23342 HANDLE ASSEMBLY (DOOR AND QUARTER WINDOW REGULATOR)				
55	BV	Zinc Die Cast	BV 7023342-B	4
55	BV	Retainer (spring)	357550-S	2or4

MERCURY

BODY PARTS CATALOGUE

YEAR 19_____	BODY TYPES	REMARKS	PART NUMBER	NO. REQ'D
Group 23370 PLATE (WINDOW REGULATOR HANDLE)				
55	BV	Used on Front and Rear Doors Used on Quarter Window of Models 60 and 70	BA 7023370-A	as req'd
Group 23394-5 DRIVE ASSEMBLY (DOOR WINDOW REGULATOR)				
55	BV	L. H. -All Models on the Front, Rear Doors, & 70B Quarter	B5A 7023394-A	1
55	BV	R. H. -All Models on the Front, Rear Doors, & 70B Quarter	B5A 7023395-A	1
Group 23440 COUPLING (DOOR WINDOW REGULATOR DRIVE)				
55	BV	7/8" O. D. x 1-1/4" long	B5A 7023440-A	2or4
Group 23504 ARM (DOOR CHECK)-FRONT DOOR				
55	BV	Approximate length 6-53/64"	B5A 7023504-A	2
55	BV	Rivet (semi-tubular)	357152-S18	2
Group 23519 ROLLER (DOOR CHECK ARM)-INNER AND OUTER				
55	BV73B-73C	3/16" Width-Used on Front and Rear Doors	BF 7023519-A	4or8
Group 23552 CHECK ASSEMBLY (FRONT DOOR)				
55	BV		BN 7023552-A	2
Group 23604 SPRING (ELECTRIC SWITCH)-LOCKING				
55	BV	Used on Multiple Switch	1H 7323604-A	as req'd
55	BV	Used on Front Seat Multiple and Single Switches	1H 7323604-B	as req'd
Group 23898 RETAINER ASSEMBLY (QUARTER TRIM PANEL)				
55	BV76B	Quarter trim panel to body-at quarter window belt rail	BAAD 8123898-AP	8
Group 24146 CLIP (DOOR ARM REST)				
55	BV		BA 7024146-A	as req'd
Group 24300-1 PILLAR ASSEMBLY (BODY CENTER)				
55	BV58A	R. H.	BV 5824300-B	1
55	BV58A	L. H.	BV 5824301-B	1
55	BV73B-73C-79B-79C	R. H. -Drill 5/16" hole for Models 73B-73C for Moulding Clip	B6A 7324300-A	1
55	BV73B-73C-79B-79C	L. H. -Drill 5/16" hole for Models 73B-73C for Moulding Clip	B6A 7324301-A	1

MERCURY

BODY PARTS CATALOGUE

YEAR 19__	BODY TYPES	REMARKS	PART NUMBER	NO. REQ'D
Group 24346 MOULDING (CENTER PILLAR)-GARNISH				
55	BV58A	R. H.	BV 5824346-AP	1
55	BV58A	L. H.	BV 5824347-AP	1
55	BV73B-73C-79B-79C	In Prime	B5A 7324346-BP	2
55	BV58A	Screw (oval hd. cr. rec.)-No. 8-15 x 7/8"	52368-S23	2
55	BV73B-73C-79B-79C	Screw (oval hd. cr. rec.)-No. 8-15 x 1/2"	52344-S13	8
Group 24350-1 PANEL (CENTER BODY PILLAR FINISH)-INSIDE				
55	BV58A	R. H. -13-7/16" long	BV 5824350-A	1
55	BV58A	L. H. -13-7/16" long	BV 5824351-A	1
55	BV58A	Screw (pan head cross rec.)-No. 6-18 x 3/8"	52718-S13	as req'd
Group 24366 RAIL (BODY CENTER PILLAR OUTSIDE FINISH)-UPPER				
55	BV79C	Compound Material	BV 7924366-A	2
55	BV79C	Screw (pan head cross rec.)-No. 6-18 x 1/4"	52713-S8	4
Group 24368-9 RAIL (BODY CENTER PILLAR OUTSIDE FINISH)-LOWER				
55	BV79C	R. H. -Compound Material	BV 7924368-A	1
55	BV79C	L. H. -Compound Material	BV 7924369-A	1
55	BV79C	Retainer -17/64" I. D. x 5/8" O. D.	358403-S2	2
55	BV79C	Screw (oval head cross rec.)-No. 14-10	353557-S8	2
Group 24388 RETAINER (CENTER BODY PILLAR OUTSIDE FINISH RAIL)-UPPER				
55	BV79C		B5A 7924388-B	2
55	BV79C	Screw (pan head cross rec.)-No. 6-18 x 1/4"	52713-S8	4
Group 24416-7 MOULDING (CENTER BODY PILLAR)-BELT RAIL TO ROOF				
55	BV58A	R. H. -Chrome Finish	BV 5824416-B	1
55	BV58A	L. H. -Chrome Finish	BV 5824417-B	1
55	BV58A	Screw (pan head cross rec.)-No. 6-18 x 3/8"	52718-S13	6
Group 24428 MOULDING ASSEMBLY (CENTER BODY PILLAR OUTSIDE)-TOP-UPPER				
55	BV73B-73C	Rustless Steel	BV 7324428-A	2

MERCURY

BODY PARTS CATALOGUE

YEAR 19_____	BODY TYPES	REMARKS	PART NUMBER	NO. REQ'D
-----------------	------------	---------	-------------	--------------

Group 24448 **MOULDING ASSEMBLY (CENTER BODY PILLAR)-OUTSIDE BELT**

55	BV73B-73C-79B-79C	Rustless Steel-7/8" x 41/64" long	B5A 7324448-A	2

Group 24460 **MOULDING (CENTER BODY PILLAR OUTSIDE)-TOP-LOWER**

55	BV73C	Rustless Steel	BV 7324460-A	2

Group 24462-3 **MOULDING (CENTER BODY PILLAR OUTSIDE)-BELT**

55	BV58A	R. H. -Rustless Steel	BV 5824462-B	1
55	BV58A	L. H. -Rustless Steel	BV 5824463-B	1
55	BV58A	Kit-Moulding Clip (exterior) Consists of the following:	MFK 350021-A	1

- | | | |
|-------------------|--------------------------------|---------------------------------|
| (1) 34053-S8 | Nut (hex) | (1) BV-5821092-A Retainer |
| (1) 34903-S8 | Washer (internal tooth)-No. 10 | (1) BV-5821082-A Retainer R. H. |
| (1) 52711-S13 | Screw | (1) BV-5821083-A Retainer L. H. |
| (10) BV-6429192-A | Retainer | |

Group 24564 **RETAINER (REAR DOOR OPENING)-CORNER WINDLACE**

55	BV58A	Steel Wire	BV 5824564-A	6

Group 24630-1 DOOR ASSEMBLY (REAR)-LESS HINGES

55	BV58A	R. H.		
55	BV58A	L. H.	BV 5824630-A	1
55	BV73B-73C	R. H.	BV 5824631-A	1
55	BV73B-73C	L. H.	BV 7324630-A	1
55	BV79B-79C	R. H.	BV 7324631-A	1
55	BV79B-79C	L. H.	BV 7924630-B	1
			BV 7924631-B	1
55	BV58A-73B-73C-79B-79C	Bumper (rubber)	354434-S	as req'd
55	BV58A-73B-73C-79B-79C	Screw (hex washer head)-5/16"-24 x 11/16"	352158-S2	as req'd

Group 24724-5 COVER (REAR DOOR GLASS FRAME)-ON DOOR

55	BV58A	R. H. -Chrome Finish -1-15/16" long	BV 5824724-A	1
55	BV58A	L. H. -Chrome Finish -1-15/16" long	BV 5824725-A	1
55	BV58A	Screw (cross recess)-No. 6-18	351770-S8	2

Group 24784-5 SHIELD ASSEMBLY (REAR DOOR WIRING)

55	BV58A-73B-73C-79B-79C	R. H.	B5A 7324784-A	1
55	BV58A-73B-73C-79B-79C	L. H.	B5A 7324785-A	1
55	BV58A-73B-73C-79B-79C	Screw (pan head cross rec.)-No. 10-12 x 5/8"	52735-S8	4

MERCURY

BODY PARTS CATALOGUE

YEAR 19___	BODY TYPES	REMARKS	PART NUMBER	NO. REQ'D
Group 25320-1 RAIL (REAR DOOR OUTSIDE FINISH)-COMPLETE				
55	BV79C	R. H. -Fiber Glass	BV 7925320-A	1
55	BV79C	L. H. -Fiber Glass	BV 7925321-A	1
55	BV79C	Cap	358404-S	8
55	BV79C	Retainer	358403-S2	8
55	BV79C	Screw (oval head cross rec.)-No. 14-10	353557-S8	8
55	BV79C	Sealer	M 5397-B	as req'd
55	BV79C	Spacer	BV 7920774-B	3
55	BV79C	Spacer	BV 7928718-A	10
55	BV79C	Spacer	BV 7940924-A	1
Group 25324-5 WEATHERSTRIP ASSEMBLY (REAR DOOR)				
55	BV58A	R. H. -Rubber	BV 5825324-A	1
55	BV58A	L. H. -Rubber	BV 5825325-A	1
55	BV73B-73C-79B-79C	R. H. -Rubber	B5A 7925324-B	1
55	BV73B-73C-79B-79C	L. H. -Rubber	B5A 7925325-B	1
Group 25502-3 MOULDING ASSEMBLY (REAR DOOR TRIM)-CENTER				
55	BV58A	R. H. -Rustless Steel-31-17/32" long	BV 5825502-A	1
55	BV58A	L. H. -Rustless Steel-31-17/32" long	BV 5825503-A	1
55	BV79C	R. H. -Rustless Steel-32-5/64" long	BV 7925502-A	1
55	BV79C	L. H. -Rustless Steel-32-5/64" long	BV 7925503-A	1
Group 25504-5 MOULDING ASSEMBLY (REAR DOOR TRIM)-FRONT				
55	BV58A-79C	R. H. -Chrome Finish	BV 7925504-A	1
55	BV58A-79C	L. H. -Chrome Finish	BV 7925505-A	1
Group 25514-5 MOULDING (REAR DOOR WINDOW GARNISH)				
55	BV58A	R. H. -In Prime	BV 5825514-AP	1
55	BV58A	L. H. -In Prime	BV 5825515-AP	1
55	BV73B-73C	R. H. -In Prime	B5A 7325514-AP	1
55	BV73B-73C	L. H. -In Prime	B5A 7325515-AP	1
55	BV79B-79C	R. H. -In Prime	B5A 7925514-AP	1
55	BV79B-79C	L. H. -In Prime	B5A 7925515-AP	1
55	BV73B-73C-79B-79C	Screw (oval head cross recessed)-No. 8-15 x 5/8"	52352-S13	4
55	BV73B-73C-79B-79C	Screw (oval head cross recessed)-No. 8-15 x 3/4"	52360-S13	as req'd
55	BV79B-79C	Screw (oval head cross recessed)-No. 8-15 x 7/8"	52368-S23	4
Group 25522-3 MOULDING (REAR DOOR OUTSIDE TOP)-UPPER				
55	BV70B-73B-73C	R. H. -Rustless Steel	BV 7325522-B	1
55	BV70B-73B-73C	L. H. -Rustless Steel	BV 7325523-B	1
55	BV70B-73B-73C	Screw (fillister head cross recess)-No. 8-15 x 3/8"	52720-S13	4

MERCURY

BODY PARTS CATALOGUE

YEAR 19__	BODY TYPES	REMARKS	PART NUMBER	NO. REQ'D
Group 25532-3 MOULDING (REAR DOOR OUTSIDE LOWER)-REAR				
55	BV73B	Rustless Steel-19-3/32" long	BV 7325532-B	2
55	BV73C-58A	R. H. -Rustless Steel-14-1/32" long	BV 7325532-C	1
55	BV73C-58A	L. H. -Rustless Steel-14-1/32" long	BV 7325533-C	1
55	BV73C-58A	Kit-Moulding Clips (exterior) Consists of the following:	MFK 350003-A	1
		(2) 50514-S8 Screw (pan hd.)-No. 8-32 x 1/2"		
		(2) 52726-S8 Screw (pan hd.)-No. 8-15 x 1/2"		
		(4) 357786-S8 Clip (moulding)		
		(2) BV 7325553-A Retainer		
Group 25534-5 RETAINER (REAR DOOR OUTSIDE REAR MOULDING)-TOP-UPPER				
55	BV73B-73C	R. H. -21/32" x 1-3/16"	BV 7325534-A	1
55	BV73B-73C	L. H. -21/32" x 1-3/16"	BV 7325535-A	1
Group 25540 MOULDING (REAR DOOR OUTSIDE)-UPPER				
55	BV79B-79C	Rustless Steel-26-31/64" long	BV 7925540-A	2
55	BV79B-79C	Clip (moulding)	357786-S8	6
55	BV79B-79C	Nut (spring)-No. 10A	357251-S32	2
55	BV79B-79C	Screw (oval head cross rec.)-No. 14-10	353557-S8	2
Group 25542-3 MOULDING (REAR DOOR-OUTSIDE)-TOP-UPPER FRONT				
55	BV73B-73C	R. H. -Rustless Steel -22-15/32" long	BV 7325542-A	1
55	BV73B-73C	L. H. -Rustless Steel -22-15/32" long	BV 7325543-A	1
55	BV73B-73C	Retainer	BV 7021082-A	2
55	BV73B-73C	Retainer-R. H.	BV 7325534-A	1
55	BV73B-73C	Retainer-L. H.	BV 7325535-A	1
55	BV73B-73C	Screw (truss head)-No. 6-32 x 3/16"	354336-S8	4
Group 25546-7 MOULDING ASSEMBLY (REAR DOOR TRIM)-REAR				
55	BV58A	R. H. -Chrome Finish	BV 5825546-A	1
55	BV58A	L. H. -Chrome Finish	BV 5825547-A	1
55	BV79C	R. H. -Chrome Finish	BV 7925546-A	1
55	BV79C	L. H. -Chrome Finish	BV 7925547-A	1
Group 25548-9 MOULDING (REAR DOOR OUTSIDE)-TOP-LOWER FRONT				
55	BV73C	R. H. -Rustless Steel	BV 7325548-B	1
55	BV73C	L. H. -Rustless Steel	BV 7325549-B	1

MERCURY

BODY PARTS CATALOGUE

YEAR 19_____	BODY TYPES	REMARKS	PART NUMBER	NO. REQ'D
-----------------	------------	---------	-------------	--------------

Group 25554-5 MOULDING (REAR DOOR OUTSIDE PANEL)-AT BELT

55	BV73B-73C	R. H. -Rustless Steel-38-1/8" long	B5A 7325554-A	1
55	BV73B-73C	L. H. -Rustless Steel-38-1/8" long	B5A 7325555-A	1
55	BV79B-79C	R. H. -Rustless Steel-38-1/8" long	BJ 7925554-A	1
55	BV79B-79C	L. H. -Rustless Steel-38-1/8" long	BJ 7925555-A	1
55	BV73B	Clip (moulding)	357786-S8	2
55	BV73C	Retainer (moulding)	BV 7929144-A	2
55	BV79B-79C	Retainer (moulding)	BV 7921066-A	2
55	BV58A	R. H. -Rustless Steel-34-7/32" long	BV 5825554-B	1
55	BV58A	L. H. -Rustless Steel-34-7/32" long	BV 5825555-B	1
55	BV58A	Kit-Moulding Clip (Extension) Consists of the following:	MFK 350021-A	1

- | | | | |
|-------------------|--------------------------------|------------------|----------------|
| (1) 34053-S8 | Nut (hex) | (1) BV 5821092-A | Retainer |
| (1) 34903-S8 | Washer (internal tooth)-No. 10 | (1) BV 5821082-A | Retainer-R. H. |
| (1) 52711-S13 | Screw | (1) BV 5821083-A | Retainer-L. H. |
| (10) BV 6429192-A | Retainer | | |

Group 25556 MOULDING (REAR DOOR OUTSIDE)-LOWER

55	BV79B-79C	Rustless Steel-18-15/32" long	BV 7925556-A	2
55	BV79B-79C	Nut (spring)-No. 14	45021-S32	2
55	BV79B-79C	Screw (oval head cross rec.)-No. 14-10	353557-S8	2
55	BV79B-79C	Screw (pan head cross rec.)-No. 8-32 x 1/2"	50514-S8	2

Group 25558-9 MOULDING ASSEMBLY (REAR DOOR TRIM)-UPPER

55	BV73B-73C-79B	R. H. -Rustless Steel-26-31/32" long	BV 7325558-A	1
55	BV73B-73C-79B	L. H. -Rustless Steel-26-31/32" long	BV 7325559-A	1
55	BV73B-73C-79B	Screw (oval head cross recessed)-No. 8-15 x 7/8"	52368-S23	2

Group 25568-9 MOULDING (REAR DOOR TRIM)-UPPER

55	BV58A	R. H. -Rustless Steel-33-39/64" long	BV 5825568-A	1
55	BV58A	L. H. -Rustless Steel-33-39/64" long	BV 5825569-A	1
55	BV79C	R. H. -Rustless Steel-33-39/64" long	BV 7925568-A	1
55	BV79C	L. H. -Rustless Steel-33-39/64" long	BV 7925569-A	1

Group 25572 RETAINER (REAR DOOR TOP UPPER REAR MOULDING)-OUTSIDE

55	BV73B-73C	Used at lower end (belt)-21/32" x 2-9/32"	BV 7325572-A	2
55	BV73B-73C	Intermediate location-21/32" x 1-7/8"	BV 7325572-B	2

Group 25578 MOULDING ASSEMBLY (REAR DOOR TRIM)-LOWER

55	BV58A-79C	25-7/8"-long	BV 7925578-A	2

MERCURY

BODY PARTS CATALOGUE

YEAR 19	BODY TYPES	REMARKS	PART NUMBER	NO. REQ'D
------------	------------	---------	-------------	--------------

Group 25596-7 WEATHERSTRIP ASSEMBLY (REAR DOOR GLASS AT BELT)-OUTSIDE

55	BV58A	With Rustless Steel Beading-24-1/4" long	BV 5825596-A	2
55	BV73B-73C-79B-79C	R. H. -with Rustless Steel Binding-22-7/64" long	B5A 7325596-A	1
55	BV73B-73C-79B-79C	L. H. -with Rustless Steel Binding-22-7/64" long	B5A 7325597-A	1

Group 25600 MEDALLION ASSEMBLY (FRONT FENDER AND BODY SIDE)

55	BV except 60E-73B		MFK 7925600-A	2
----	-------------------	--	---------------	---

Consists of the following:

- | | |
|------------------|---------------|
| (1) BV 7925664-A | Retainer Assy |
| (1) BR 16228-A | Ornament |
| (1) BR 16233-A | Ring |

55	BV except 60E-73B	Kit-Moulding Clips (exterior)	MFK 350002-A	1
----	-------------------	-------------------------------	--------------	---

Consists of the following:

- | | |
|--------------------------------|----------------------------|
| (4) 34053-S8 Nut (hex) | (4) 44713-S8 Washer (flat) |
| (4) 34823-S7 Washer (lock) | (4) 352567-S34 Stud |
| (4) 34937-S7 Washer (external) | |

Group 25612-3 ORNAMENT ASSEMBLY (BODY SIDE)-STONE BLISTER

55	BV79B-79C	R. H. -Chrome Finish	BV 7925612-A	1
55	BV79B-79C	L. H. -Chrome Finish	BV 7925613-A	1
55	BV79B-79C	Nut (hex)-No. 10-24	34053-S8	10
55	BV79B-79C	Washer (internal tooth)-No. 10	34903-S8	10

Group 25616-7 ORNAMENT (BODY SIDE)

55	BV58A-60E-70B-73B	R. H. -Rustless Steel	BV 7325616-C	1
55	BV58A-60E-70B-73B	L. H. -Rustless Steel	BV 7325617-C	1
55	BV60B-64A-64B-73C-76B	R. H. -Rustless Steel	BV 7625616-C	1
55	BV60B-64A-64B-73C-76B	L. H. -Rustless Steel	BV 7625617-C	1
55	BV except 79B-79C	Kit-Moulding Clips (exterior)	MFK 350001-A	1

Consists of the following:

- | | | | |
|---------------|--------------------------------|------------------|----------------------|
| (10) 34053-S8 | Nut (hex)-No. 10-24 | (10) 44713-S8 | Washer (flat)-No. 10 |
| (10) 34823-S7 | Washer (lock)-No. 10 | (10) 358552-S100 | Clip (moulding) |
| (10) 34903-S8 | Washer (internal tooth)-No. 10 | (10) 1A-7029074 | Seal |

Group 25622 PLATE (BODY SIDE NAME)

55	BV60E-70B-73B-79B	Zinc Die Cast-MERCURY	BC 7325622-A	2
55	BV60B-73C-79C	Zinc Die Cast-MONTEREY	BC 7325622-C	2
55	BV	Nut (sleeve type)-1/8"	353577-S2	4

MERCURY

BODY PARTS CATALOGUE

YEAR 19	BODY TYPES	REMARKS	PART NUMBER	NO. REQ'D
Group 25652-3 GUARD (BODY SIDE STONE)-UPPER				
55	BV60B-60E-64A-64B-70B-76B	R. H. -Rustless Steel-11-11/32" long	BV 7025652-A	1
55	BV60B-60E-64A-64B-70B-76B	L. H. -Rustless Steel-11-11/32" long	BV 7025653-A	1
55	BV60B-60E-64A-64B-70B-76B	R. H. -Rustless Steel-9-25/32" long	BV 7025652-B	1
55	BV60B-60E-64A-64B-70B-76B	L. H. -Rustless Steel-9-25/32" long	BV 7025653-B	1
55	BV58A-73B-73C	R. H. -Rustless Steel-7-11/16" long	BV 7325652-A	1
55	BV58A-73B-73C	L. H. -Rustless Steel-7-11/16" long	BV 7325653-A	1
55	BV58A-73B-73C	R. H. -Rustless Steel-6-17/32" long	BV 7325652-B	1
55	BV58A-73B-73C	L. H. -Rustless Steel-6-17/32" long	BV 7325653-B	1
55	BV	Kit-Moulding Clips-(exterior) Consists of the following:	MFK 350001-A	1
	(10) 34053-S8	Nut (hex)-No. 10-24	(10) 44713-S8	Washer (flat)-No. 10
	(10) 34823-S7	Washer (lock)-No. 10	(10) 358552-S100	Clip (moulding)
	(10) 34903-S8	Wshr. (internaltooth)-No. 10	(10) 1A-7029074	Seal
Group 25670 RETAINER (BODY SIDE STONE GUARD)				
55	BV58A-73B-73C	1" x 1" with (2) 3/16" dia. holes	B5A 7025670-A	as req'd
55	BV58A-73B-73C	Screw (pan head cross rec.)-No. 8-15 x 1/2"	52726-S2	as req'd
Group 25678-9 GUARD (BODY SIDE STONE)-LOWER				
55	BV58A-73B-73C	R. H. -Rustless Steel-3-7/32" long	BV 7325678-A	1
55	BV58A-73B-73C	L. H. -Rustless Steel-3-7/32" long	BV 7325679-A	1
55	BV58A-73B-73C	R. H. -Rustless Steel-3-21/32" long	BU 7325678-A	1
55	BV58A-73B-73C	L. H. -Rustless Steel-3-21/32" long	BU 7325679-A	1
55	BV58A-73B-73C	Kit-Moulding Clips (exterior) Consists of the following:	MKG 350000-A	1
	(1) B5A 7025670-A	Retainer		
	(1) B5A 7020918-A	Retainer		
	(2) 52726-S2	Screw		
Group 25686 RETAINER ASSEMBLY (BODY SIDE ORNAMENT)				
55	BV58A-60B-64A-64B-73C-76B		BV 7625686-A	2
Group 25694 BRACKET ASSEMBLY (REAR DOOR VENTILATOR WINDOW GLASS RUN)-LOWER				
55	BV58A		BV 5825694-A	2
Group 25712 GLASS (REAR DOOR WINDOW)				
55	BV58A	Clear	BV 5825712-A	2
55	BV58A	Tinted (Green)	BV 5825712-B	2
55	BV73B-73C	Clear	B5A 7325712-A	2
55	BV73B-73C	Tinted (Green)	B5A 7325712-B	2
55	BV79B-79C	Clear	B5A 7925712-A	2
55	BV79B-79C	Tinted (Green)	B5A 7925712-B	2

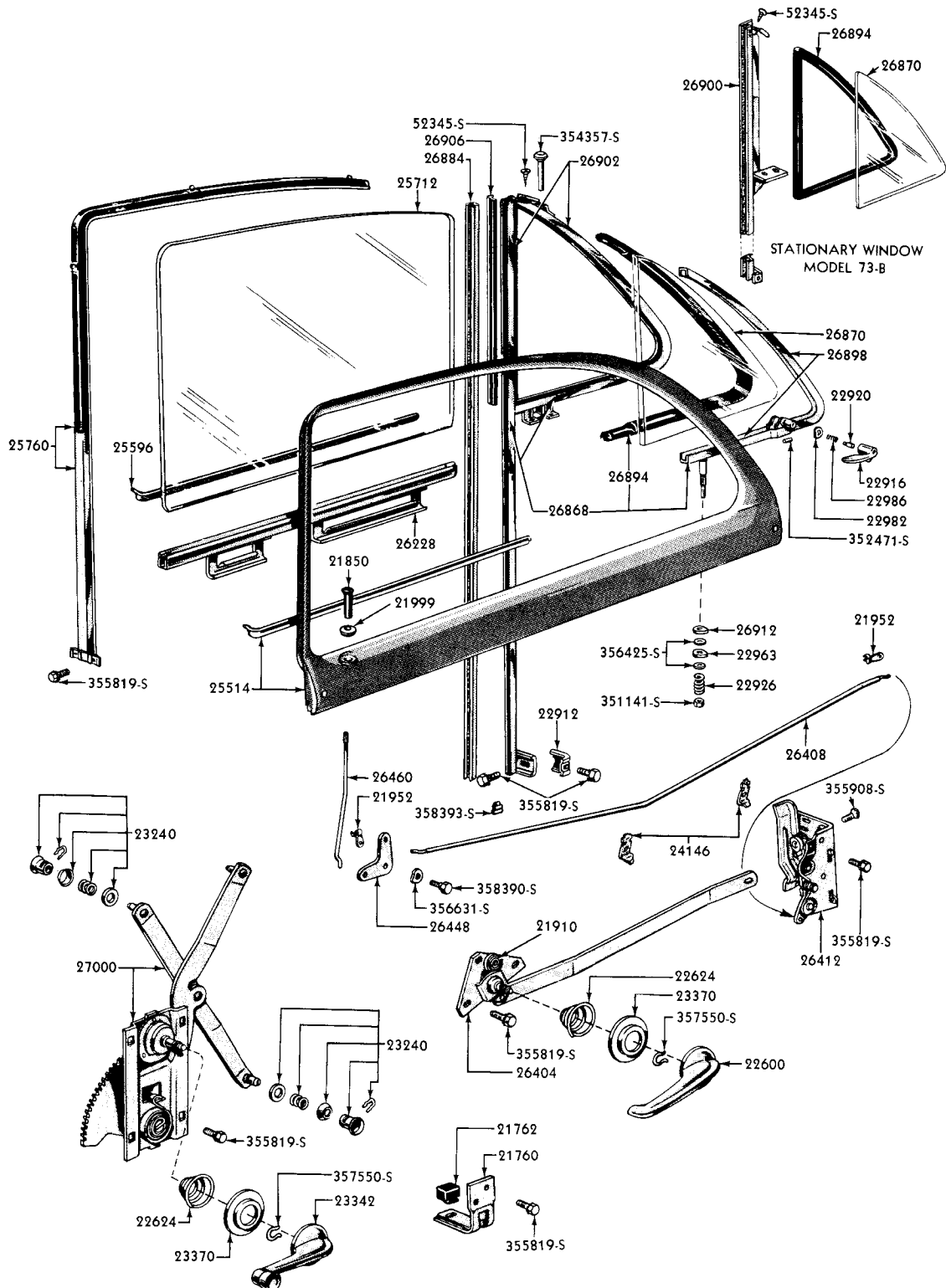
MERCURY

BODY PARTS CATALOGUE

YEAR 19____	BODY TYPES	REMARKS	PART NUMBER	NO. REQ'D
Group 25728 RUN ASSEMBLY (REAR DOOR GLASS)-HINGE SIDE				
55	BV58A	27-9/32" long	BV 5825728-A	2
Group 25760 RUN ASSEMBLY (REAR DOOR GLASS)-LOCK SIDE				
55	BV73B-73C-79B-79C	49-1/2" long	B5A 7925760-A	2
55	BV73B-73C-79B-79C	Screw and Washer Assy (hex-hd)-No. 12-24 x 7/16"	355919-S8	4
55	BV73B-73C-79B-79C	Nut (cage)-No. 12-24	357515-S2	2
Group 25766 RUN ASSEMBLY (REAR DOOR GLASS)-TOP				
55	BV58A	25-1/4" long	BV 5825766-A	2
Group 26218-9 FRAME ASSEMBLY (REAR DOOR GLASS)-WITH GLASS RUN				
55	BV58A	R. H.	BV 5826218-B	1
55	BV58A	L. H.	BV 5826219-B	1
Group 26228-9 CHANNEL AND BRACKET ASSEMBLY (REAR DOOR GLASS)				
55	BV58A	R. H.-23-27/32" long	BV 5826228-A	1
55	BV58A	L. H.-23-27/32" long	BV 5826229-A	1
55	BV73B-73C-79B-79C	R. H.-20-53/64" long	B5A 7326228-A	1
55	BV73B-73C-79B-79C	L. H.-20-53/64" long	B5A 7326229-A	1
Group 26404-5 CONTROL ASSEMBLY (REAR DOOR LOCK REMOTE)				
55	BV58A	R. H.	BV 5826404-B	1
55	BV58A	L. H.	BV 5826405-B	1
55	BV73B-73C-79B-79C	R. H.	B5A 7326404-B	1
55	BV73B-73C-79B-79C	L. H.	B5A 7326405-B	1
55	BV73B-73C-79B-79C	Screw and Washer Assy (hex hd.)-No. 12-24 x 7/16"	355819-S8	6
Group 26408-9 LINK ASSEMBLY (REAR DOOR LOCK CONTROL ROD)				
55	BV73B-73C	R. H.	B5A 7326408-A	1
55	BV73B-73C	L. H.	B5A 7326409-A	1
55	BV79B-79C	R. H.	B5A 7926408-A	1
55	BV79B-79C	L. H.	B5A 7926409-A	1
55	BV73B-73C	Clip	358393-S2	4

MERCURY

BODY PARTS CATALOGUE



PMB-41

REAR DOOR PARTS—MANUAL CONTROL

Group numbers only shown on illustration. Order by Part Numbers shown in list of parts.

MERCURY

BODY PARTS CATALOGUE

YEAR 19____	BODY TYPES	REMARKS	PART NUMBER	NO. REQ'D
Group 26412-3 LOCK ASSEMBLY (REAR DOOR)				
55	BV58A	R. H.	BV 5826412-A	1
55	BV58A	L. H.	BV 5826413-A	1
55	BV73B-73C-79B-79C	R. H.	B5A 7326412-B	1
55	BV73B-73C-79B-79C	L. H.	B5A 7326413-B	1
55	BV58A-73B-73C-79B-79C	Screw and Washer assy (pan head cross rec.)-No. 12-24 x 1/2"	50811-S8	6
55	BV58A-73B-73C-79B-79C	Screw and Washer assy (hex hd.)-No. 12-24 x 7/16"	355819-S8	6
Group 26438 PIN (REAR DOOR HANDLE RELEASE)				
55	BV70B-73B-73C-79B-79C	53/64" long-used on front and rear doors	BA 7326438-A	2
Group 26448 BELLCRANK (REAR DOOR LOCK)				
55	BV58A-73B-73C-79B-79C	Steel-3/32" thick	BA 7326448-A	2
55	BV58A-73B-73C-79B-79C	Bolt (hex shoulder)-No. 12-24 x 7/16"	358390-S8	2
55	BV58A-73B-73C-79B-79C	Washer (spring)-5/16"	356361-S7	2
Group 26460 ROD (REAR DOOR LOCK)-PUSH BUTTON				
55	BV58A	6-1/16" long	BV 5826460-B	2
55	BV73B-73C-79B-79C	7-1/4" long	B5A 7326460-B	2
Group 26800-1 HINGE ASSEMBLY (REAR DOOR)-UPPER				
55	BV58A	R. H. -with (3) 5/16"-24 tapped holes on body side and (3) 3/8" holes on door side	BV 5826800-A	1
55	BV58A	L. H. -with (3) 5/16"-24 tapped holes on body side and (3) 3/8" holes on door side	BV 5826801-A	1
55	BV73B-73C-79B-79C	R. H. -with (3) 5/16"-24 tapped holes on body side and (3) 3/8" holes on door side	B5A 7326800-B	1
55	BV73B-73C-79B-79C	L. H. -with (3) 5/16"-24 tapped holes on body side and (3) 3/8" holes on door side	B5A 7326801-B	1
55	BV58A-73B-73C-79B-79C	Screw (hex washer head)-5/16"-24 x 11/16"	352158-S2	6
55	BV58A-73B-73C-79B-79C	Screw (hex washer head)-5/16-24 x 1"	358437-S2	6
Group 26810-1 HINGE ASSEMBLY (REAR DOOR)-LOWER				
55	BV58A-73B-73C-79B-79C	R. H. -Door hinge 1-11/16" wide	B5A 7326810-B	1
55	BV58A-73B-73C-79B-79C	L. H. -Door hinge 1-11/16" wide	B5A 7326811-B	1
55	BV58A-73B-73C-79B-79C	Screw and Washer Assembly (hex head)-5/16"-24 x 1"	358437-S2	as req'd

MERCURY

BODY PARTS CATALOGUE

YEAR 19	BODY TYPES	REMARKS	PART NUMBER	NO. REQ'D
Group 26832 PIN (REAR DOOR HINGE)				
55	BV58A-73B-73C-79B-79C	9/32" dia. x 2-31/32" long	BA 7326832-A	4
Group 26868-9 WINDOW ASSEMBLY (REAR DOOR VENTILATOR)-LESS GLASS				
55	BV58A	R. H. -Includes division bar	BV 5826868-C	1
55	BV58A	L. H. -Includes division bar	BV 5826869-C	1
55	BV73C	R. H. -Includes division bar	BV 7326868-A	1
55	BV73C	L. H. -Includes division bar	BV 7326869-A	1
55	BV58A-73C	Nut (hex)-1/4"-20	33795-S7	4
55	BV58A-73C	Washer (external tooth)-1/4"	34940-S7	4
55	BV58A-73C	Screw (oval head cross recessed)-No. 10-12 x 1/2"	52345-S13	2
Group 26870 GLASS (REAR DOOR VENTILATOR WINDOW)				
55	BV58A	Clear	BV 5826870-A	1
55	BV58A	Tinted (Green)	BV 5826870-B	1
55	BV73B	Clear	B5A 7326870-A	2
55	BV73B	Tinted (Green)	B5A 7326870-B	2
55	BV73C	Clear	BV 7326870-A	2
55	BV73C	Tinted (Green)	BV 7326870-B	2
Group 26870 GLASS (REAR DOOR WINDOW)-STATIONARY				
55	BV79B-79C	Clear	B5A 7926870-A	2
55	BV79B-79C	Tinted (Green)	B5A 7926870-B	2
Group 26884 RUN (REAR DOOR VENTILATOR WINDOW DIVISION BAR GLASS)				
55	BV58A		BV 5826884-B	2
55	BV73B-73C		B5A 7326884-B	2
55	BV79B-79C		B5A 7926884-B	2
55	BV58A	Rivet (pan head)-9/64" x 1/4"	351879-S8	4
55	BV73B-73C-79B-79C	Rivet-9/64"	351904-S8	2or6
Group 26894-5 WEATHERSTRIP (REAR DOOR VENTILATOR WINDOW)				
55	BV58A	R. H. -Rubber	BV 5826894-B	1
55	BV58A	L. H. -Rubber	BV 5826895-B	1
55	BV73B	R. H. -Rubber	B5A 7326894-A	1
55	BV73B	L. H. -Rubber	B5A 7326895-A	1
55	BV73C	R. H. -Rubber	BV 7326894-A	1
55	BV73C	L. H. -Rubber	BV 7326895-A	1
55	BV58A	Screw (flat head top)-No. 6-32 x 5/8"	52050-S13	6
Group 26894-5 WEATHERSTRIP ASSEMBLY (REAR DOOR WINDOW)-STATIONARY				
55	BV79B	R. H. -Rubber	B5A 7926894-A	1
55	BV79B	L. H. -Rubber	B5A 7926895-A	1

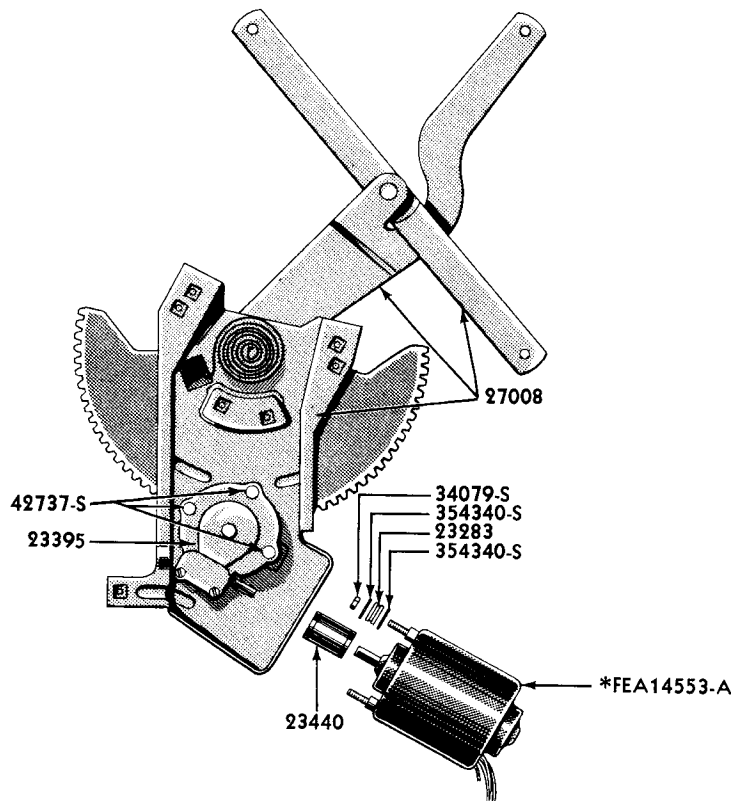
MERCURY

BODY PARTS CATALOGUE

YEAR 19	BODY TYPES	REMARKS	PART NUMBER	NO. REQ'D
Group 26898-9 FRAME ASSEMBLY (REAR DOOR VENTILATOR WINDOW GLASS)-LESS GLASS				
55	BV58A	R. H.	BV 5826898-A	1
55	BV58A	L. H.	BV 5826899-A	1
55	BV73C	R. H.	BV 7326898-A	1
55	BV73C	L. H.	BV 7326899-A	1
Group 26900-1 BAR ASSEMBLY (REAR DOOR WINDOW DIVISION)				
55	BV73B	R. H. -13-9/16" long-with Rustless Steel Beading	B5A 7326900-B	1
55	BV73B	L. H. -13-9/16" long-with Rustless Steel Beading	B5A 7326901-B	1
55	BV79B-79C	R. H. -32-7/8" long-with Rustless Steel Beading	B5A 7926900-B	1
55	BV79B-79C	L. H. -32-7/8" long-with Rustless Steel Beading	B5A 7926901-B	1
55	BV73B-79B-79C	Nut (spring)-No. 14A	357799-S32A	2
55	BV73B-79B-79C	Screw (fillester head cross rec.)-No. 14-10 x 5/8"	31478-S7	4
55	BV79B-79C	Screw and Washer Assembly (hex hd.)-No. 12-24 x 7/16"	355819-S8	2
55	BV79B-79C	Screw (c'sink head)-No. 10-12 x 1/2"	52345-S13	2
Group 26902-3 DIVISION BAR AND RETAINER (REAR DOOR VENTILATING WINDOW)				
55	BV58A	R. H.	BV 5826902-A	1
55	BV58A	L. H.	BV 5826903-A	1
55	BV73C	R. H.	BV 7326902-A	1
55	BV73C	L. H.	BV 7326903-A	1
Group 26906 WEATHERSTRIP (REAR DOOR VENTILATOR WINDOW DIVISION BAR)				
55	BV58A	Rubber on Steel-8-51/64" long	BV 5826906-A	2
55	BV73C	Rubber on Steel-10-59/64" long	BV 7326906-A	2
Group 26912 STOP (REAR DOOR VENTILATOR WINDOW PIVOT)-LOWER				
55	BV58A-73C		BD 7326912-A	2
55	BV58A-73C	Washer (special grommet)	356425-S	2
Group 27000-1 REGULATOR ASSEMBLY (REAR DOOR WINDOW)				
55	BV58A	R. H. -Manual Control	BV 5827000-A	1
55	BV58A	L. H. -Manual Control	BV 5827001-B	1
55	BV73B-73C-79B-79C	R. H. -Manual Control	B5A 7327000-B	1
55	BV73B-73C-79B-79C	L. H. -Manual Control	B5A 7327001-B	1
55	BV58A-73B-73C-79B-79C	Screw and Washer Assy. (hex-hd.)-No. 12-24 x 7/16"	355819-S8	8
55	BV58A-73B-73C-79B-79C	Washer (flat)-5/8" I. D. x 7/8" O. D.	351513-S8	4

MERCURY

BODY PARTS CATALOGUE



*FOR ADDITIONAL INFORMATION REFER TO
CHASSIS PARTS CATALOGUE

PMB-10

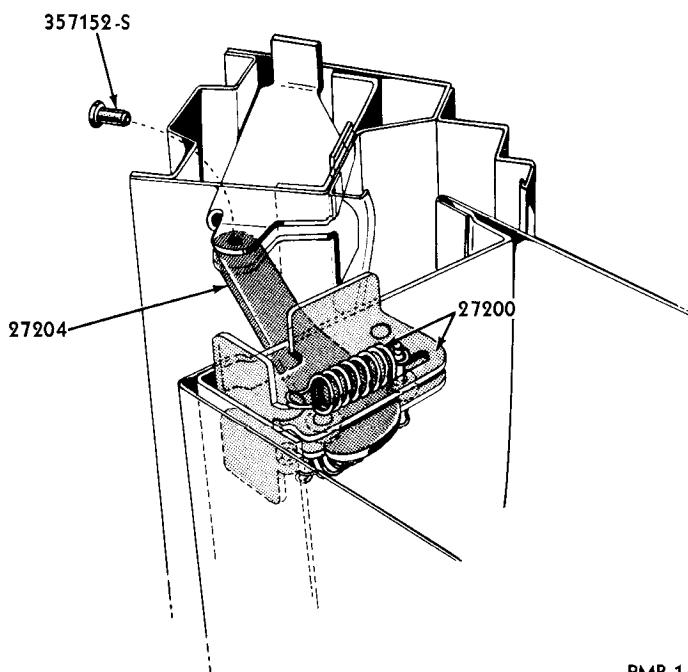
REAR DOOR ELECTRIC WINDOW REGULATOR

Group numbers only shown on illustration. Order by Part Numbers shown in list of parts.

YEAR 19	BODY TYPES	REMARKS	PART NUMBER	NO. REQ'D
Group 27008-9 REGULATOR ASSEMBLY (REAR DOOR WINDOW)-LESS MOTOR AND DRIVE ASSY				
55	BV58A	R. H. -Electric Control	BV 5827008-A	1
55	BV58A	L. H. -Electric Control	BV 5827009-A	1
55	BV73B-73C-79B-79C	R. H. -Electric Control	B5A 7327008-B	1
55	BV73B-73C-79B-79C	L. H. -Electric Control	B5A 7327009-B	1
Group 27048 SPRING (REAR DOOR WINDOW REGULATOR)-COUNTER BALANCE				
55	BV58A-73B-73C-79B-79C		B5A 7327048-A	2
Group 27064 BRACKET (REAR DOOR WINDOW REGULATOR MOUNTING)				
55	BV58A-73B-73C-79B-79C		B5A 7327064-A	2

MERCURY

BODY PARTS CATALOGUE



PMB-143

ARM (DOOR CHECK) REAR DOOR

Group numbers only shown on illustration. Order by Part Numbers shown in list of parts.

YEAR 19__	BODY TYPES	REMARKS	PART NUMBER	NO. REQ'D
Group 27072 BRACKET (REAR DOOR WINDOW STOP)-LOWER				
55	BV58A		BV 5827072-A	2
Group 27200 CHECK ASSEMBLY (REAR DOOR)				
55	BV58A-73B-73C-79B-79C		B5A 7327200-B	2
Group 27204 ARM (REAR DOOR CHECK)				
55	BV58A-73B-73C-79B-79C		B5A 7327204-A	2
Group 27463 CLIP (REAR DOOR TRIM) -AT LOCK WATER SHIELD				
55	BV58A-73C		BR 7327463-A	2
Group 27546 RETAINER (REAR DOOR OPENING WINDLACE)				
55	BV58A	1-13/32" x 2-21/32"	BV 5827546-A	2

MERCURY

BODY PARTS CATALOGUE

YEAR 19__	BODY TYPES	REMARKS	PART NUMBER	NO. REQ'D
Group 27840-1 PANEL ASSEMBLY (QUARTER)-LESS WHEELHOUSE				
55	BV58A	R. H.	BV 5827840-C	1
55	BV58A	L. H.	BU 5827841-C	1
55	BV70B	R. H.	BV 7027840-A	1
55	BV70B	L. H.	BV 7027841-A	1
55	BV73B-73C	R. H.	BV 7327840-E	1
55	BV73B-73C	L. H.	BU 7327841-E	1
55	BV	Screw (round head cross rec.)-No. 8-5/8"	52181-S8	2
55	BV	Rubber (bumper)-lower	354286-S	2
55	BV58A-73B-73C-79B-79C	Rubber (bumper)-upper	354434-S	2
55	BV58A-73B-73C-79B-79C	Rubber (bumper)-rear	354434-S	4
Group 27846-7 PANEL (QUARTER LOWER)-LESS WHEELHOUSE AND REAR EXTENSION				
55	BV60B-60E	R. H.	BV 6027846-F	1
55	BV60B-60E	L. H.	BV 6027847-F	1
55	BV64A-64B	R. H.	BV 6427846-C	1
55	BV64A-64B	L. H.	BU 6427847-E	1
55	BV70B	R. H.	BV 7027846-A	1
55	BV70B	L. H.	BV 7027847-A	1
55	BV73B-73C	R. H.	BV 7327846-B	1
55	BV73B-73C	L. H.	BV 7327847-B	1
55	BV76B	R. H.	BV 7627846-D	1
55	BV76B	L. H.	BV 7627847-D	1
55	BV79B-79C	R. H.	B5A 7927846-A	1
55	BV79B-79C	L. H.	B6A 7927847-A	1
Group 27854-5 PANEL (QUARTER)-UPPER				
55	BV79B-79C	R. H.	B5A 7927854-B	1
55	BV79B-79C	L. H.	B5A 7927855-B	1
Group 27856-7 PANEL ASSEMBLY (QUARTER INSIDE TO FLOOR PAN)				
55	BV79B-79C	R. H.	B5A 5927856-A	1
55	BV79B-79C	L. H.	B5A 5927857-A	1
55	BV79B-79C	Plug (rubber)-3/4" diameter	352291-S	2
Group 27870-1 PANEL ASSEMBLY (QUARTER WINDOW REGULATOR)				
55	BV60B-60E	R. H.	B5A 6027870-A	1
55	BV60B-60E	L. H.	B5A 6027871-A	1
55	BV64A-64B	R. H.	B5A 6427870-A	1
55	BV64A-64B	L. H.	B5A 6427871-A	1
55	BV70B	R. H.	B5A 7027870-A	1
55	BV70B	L. H.	B5A 7027871-A	1
55	BV76B	R. H.	B5A 7627870-B	1
55	BV76B	L. H.	B5A 7627871-B	1

MERCURY

BODY PARTS CATALOGUE

YEAR 19___	BODY TYPES	REMARKS	PART NUMBER	NO. REQ'D
Group 27882-3 WHEELHOUSE ASSEMBLY (QUARTER)				
55	BV except 76B-79B-79C	R. H.	BV 7027882-A	1
55	BV except 76B-79B-79C	L. H.	BV 7027883-A	1
55	BV76B	R. H.	BV 7627882-A	1
55	BV76B	L. H.	BV 7627883-A	1
55	BV79B-79C	R. H.	B5A 7027882-A	1
55	BV79B-79C	L. H.	B5A 7027883-A	1
Group 27936 HOUSING ASSEMBLY (FUEL FILLER PIPE)				
55	BV79B-79C		B5A 5927936-A	1
55	BV79B-79C	Screw & Washer Assy (hex head)-1/4"-20 x 3/4"	42906-S8	1
Group 27964 WHEEL OPENING COVER KIT (QUARTER PANEL)				
55	BV	In Prime	BV 7327964-A	1
Group 27970 REINFORCEMENT (REAR PANEL TAIL LAMP OPENING)				
55	BV except 79B-79C		BV 7027970-A	2
55	BV79B-79C		BV 7927970-A	2
Group 27974-5 PANEL ASSEMBLY (REAR WHEEL COVER OPENING)				
55	BV except 79B-79C	R. H. -In Prime	BV 7327974-B	1
55	BV except 79B-79C	L. H. -In Prime	BV 7327975-B	1
Group 27986 SEAL (QUARTER PANEL WHEEL OPENING COVER)				
55	BV except 79B-79C	Rubber	B5A 7327986-A	2
Group 28000-1 BRACKET (QUARTER PANEL WHEEL OPENING COVER)-FRONT				
55	BV except 79B-79C	R. H.	BV 7328000-A	1
55	BV except 79B-79C	L. H.	BV 7328001-A	1
55	BV except 79B-79C	Screw (flat head)-No. 10-32 x 1/2"	25231-S8	4
Group 28002-3 BRACKET (QUARTER PANEL WHEEL OPENING COVER)-REAR				
55	BV except 79B-79C	R. H.	BV 7328002-A	1
55	BV except 79B-79C	L. H.	BV 7328003-A	1
55	BV except 79B-79C	Nut (hex)-No. 10-32	34079-S7	4
55	BV except 79B-79C	Washer (flat)-No. 10	34803-S7	4
Group 28014-5 BRACKET ASSEMBLY (QUARTER WINDOW REGULATOR PANEL TO WHEELHOUSE)				
55	BV60B-60E	R. H.	B5A 6028014-A	1
55	BV60B-60E	L. H.	B5A 6028015-A	1
55	BV64A-64B	R. H.	B5A 6428014-A	1
55	BV64A-64B	L. H.	B5A 6428015-A	1

MERCURY

BODY PARTS CATALOGUE

YEAR 19	BODY TYPES	REMARKS	PART NUMBER	NO. REQ'D
Group 28020 BRACKET (QUARTER PANEL WHEEL OPENING COVER)-UPPER				
55	BV except 79B-79C		BV 7328020-A	4
55	BV except 79B-79C	Bolt (round head)-No. 10-32 x 1/2"	27081-S8	8
Group 28058-9 EXTENSION (QUARTER PANEL)-LOWER REAR				
55	BV79B-79C	R. H.	B5A 5928058-B	1
55	BV79B-79C	L. H.	B5A 5928059-B	1
Group 28058-9 EXTENSION (QUARTER PANEL REAR)-UPPER				
55	BV except 79B-79C	R. H.	BV 7028058-B	1
55	BV except 79B-79C	L. H.	BV 7028059-B	
Group 28060-1 FILLER (QUARTER PANEL)-UPPER FRONT-BELT RAIL				
55	BV60B-60E-64A-64B	R. H.	B5A 6028060-A	1
55	BV60B-60E-64A-64B	L. H.	B5A 6028061-A	1
55	BV76B	R. H.	B5A 7628060-A	1
55	BV76B	L. H.	B5A 7628061-A	1
Group 28072-3 EXTENSION (QUARTER PANEL REAR)-UPPER				
55	BV79B-79C	R. H.	B6A 5928072-A	1
55	BV79B-79C	L. H.	B6A 5928073-A	1
Group 28078-9 RETAINER (QUARTER TRIM PANEL TO WHEELHOUSE)-REAR				
55	BV79B-79C	R. H.	B5A 5928078-A	1
55	BV79B-79C	L. H.	B5A 5928079-A	1
Group 28198-9 BRACE ASSEMBLY (QUARTER LOCK PILLAR TO FLOOR)				
55	BV76B	R. H.	B5A 7628198-A	1
55	BV76B	L. H.	B5A 7628199-A	1
Group 28200-1 REINFORCEMENT ASSEMBLY (QUARTER PANEL)-LOCK SIDE				
55	BV60B-60E-64A-64B	R. H.	B6A 6028200-B	1
55	BV60B-60E-64A-64B	L. H.	B5A 6028201-A	1
55	BV70B	R. H.	B5A 7028200-A	1
55	BV70B	L. H.	B5A 7028201-A	1
55	BV76B	R. H.	B5A 7628200-B	1
55	BV76B	L. H.	B5A 7628201-B	1
Group 28208-9 REINFORCEMENT (QUARTER PANEL)-LOCK SIDE				
55	BV79B-79C	R. H.	B5A 7928208-B	1
55	BV79B-79C	L. H.	B5A 7928209-B	1
Group 28216-7 REINFORCEMENT (QUARTER PANEL LOCK SIDE)-LOWER				
55	BV58A-73B-73C-79B-79C	R. H.	B5A 7328216-A	1
55	BV58A-73B-73C-79B-79C	L. H.	B5A 7328217-A	1

MERCURY

BODY PARTS CATALOGUE

YEAR 19	BODY TYPES	REMARKS	PART NUMBER	NO. REQ'D
Group 28260-1 BRACE (QUARTER LOCK PILLAR TO FLOOR)				
55	BV60B-60E-64A-64B	R. H.	B5A 6028260-A	1
55	BV60B-60E-64A-64B	L. H.	B5A 6028261-A	1
Group 28601 RAIL (QUARTER OUTSIDE FUEL FILLER LID FINISH)-L. H.				
55	BV79C	Fiber Glass-8-1/32" long	BV 7928601-A	1
55	BV79C	Spacer (rubber)-1/8" x 7/8"	BV 7928718-A	2
Group 28607 RAIL (QUARTER OUTSIDE FINISH)-LOWER L. H.				
55	BV79C	L. H. -Fiber Glass-33-11/16" long	BV 7928607-A	1
55	BV79C	Spacer (rubber)-1/8" x 7/8"	BV 7928718-A	4
55	BV79C	Sealer	M 5397-B	as
Group 28611 LID ASSEMBLY (QUARTER PANEL FUEL TANK FILLER)				
55	BV79B-79C		B5A 5928611-B	1
55	BV79B-79C	Bumper (rubber)	357811-S	2
55	BV79B-79C	Lockwasher (spring)-N0. 10	34803-S7	2
55	BV79B-79C	Retainer assy (moulding)	358391-S8	2
55	BV79B-79C	Screw (round head)-No. 10-32 x 1/2"	27081-S8	2
55	BV79B-79C	Washer (flat)-N0. 10	44713-S8	2
Group 28614 SPRING (FUEL FILLER OPENING LID)-HINGE				
55	BV79B-79C		BC 5928614-A	1
Group 28623 SHIELD (QUARTER PANEL FUEL PIPE HOUSING)-SPLASH				
55	BV79B-79C		BA 5928623-A	1
55	BV79B-79C	Synthetic Resin Sealer	M 5397-B	as req'd
Group 28629 SUPPORT (FUEL FILLER PIPE)				
55	BV79B-79C		BC 5928629-A	1
Group 28635 COLLAR (QUARTER PANEL FUEL FILLER OPENING)				
55	BV79B-79C		B5A 5928635-A	1
Group 28649 MOULDING (QUARTER PANEL FUEL FILLER LID)				
55	BV79B	Rustless Steel with 33/64" beveled edge	BV 7928649-A	1
55	BV79C	Rustless Steel with 1-19/64" beveled edge	BV 7928649-B	1
55	BV79C	Nut (hex)-No. 10-24	34053-S8	2
55	BV79C	Washer (external tooth)-No. 10	34903-S8	2
55	BV79C	Washer (flat)-No. 10	44716-S8	2

MERCURY

BODY PARTS CATALOGUE

YEAR 19	BODY TYPES	REMARKS	PART NUMBER	NO. REQ'D
Group 28674 RETAINER ASSEMBLY (QUARTER PANEL FUEL FILLER LID MOULDING)				
55	BV79B-79C		BV 7928674-A	as req'd
Group 28680 SHIELD (QUARTER PANEL FUEL FILLER SPLASH OPENING)				
55	BV79B-79C		B5A 5928680-A	1
55	BV79B-79C	Screw (pan head cross rec.)-No. 10-12 x 1/2"	52727-S8	2
Group 28712-3 RAIL (QUARTER OUTSIDE FINISH)				
55	BV79C	R. H. -Fiber Glass Rail Complete for Right Side	BV 7928712-A	1
55	BV79C	L. H. -Fiber Glass-Upper and End Rail Only	BV 7928713-A	1
55	BV79C	Cap	358404-S	2
55	BV79C	Retainer	358403-S2	2
55	BV79C	Screw (oval head cross rec.)-No. 14-10	353557-S8	2
55	BV79C	Spacer	BV 7928718-A	as req'd
55	BV79C	Spacer	BV 7940924-A	as req'd
Group 28714-5 RAIL (QUARTER BELT)				
55	BV79B-79C	R. H. -33-13/64" long-On Models up to 7-11-55	B5A 7928714-B	1
55	BV79B-79C	L. H. -33-13/64" long-On Models up to 7-11-55	B5A 7928715-B	1
55	BV79B-79C	R. H. -37-13/16" long-On Models after 7-11-55	B5A 7928714-C	1
55	BV79B-79C	L. H. -37-13/16" long-On Models after 7-11-55	B5A 7928715-C	1
Group 28718 SPACER (QUARTER OUTSIDE FINISH RAIL)				
55	BV79C	Rubber-1/8" x 7/8"-Quarters and Rear Doors	BV 7928718-A	2
Group 29002-3 MOULDING ASSEMBLY (QUARTER WINDOW GARNISH)				
55	BV60B	R. H. -In Prime	BV 6029002-BP	1
55	BV60B	L. H. -In Prime	BV 6029003-BP	1
55	BV60E	R. H. -In Prime	B5A 6029002-DP	1
55	BV60E	L. H. -In Prime	B5A 6029003-DP	1
55	BV64A-64B	R. H. -In Prime	BV 6429002-AP	1
55	BV64A-64B	L. H. -In Prime	BV 6429003-AP	1
55	BV70B	R. H. -In Prime	B5A 7029002-AP	1
55	BV70B	L. H. -In Prime	B5A 7029003-AP	1
55	BV76B	R. H. -In Prime	B5A 7629002-AP	1
55	BV76B	L. H. -In Prime	B5A 7629003-AP	1
55	BV79B-79C	R. H. -In Prime	B5A 7929002-AP	1
55	BV79B-79C	L. H. -In Prime	B5A 7929003-AP	1
55	BV60B-60E-64A-64B	Screw (oval head cross rec.)-No. 10-12 x 1/4"	52383-S13	2
55	BV64A-64B	Screw (pan head cross rec.)-No. 10-32 x 1/2"	51766-S8	4
55	BV70B-79B-79C	Screw (oval head cross rec.)-No. 8-15 x 1"	52376-S13	10
55	BV76B	Screw (oval head cross rec.)-No. 8-15 x 3/4"	52360-S13	2
55	BV79B-79C	Screw (oval head cross rec.)-No. 8-15 x 1/4"	52382-S13	as req'd

MERCURY

BODY PARTS CATALOGUE

YEAR 19	BODY TYPES	REMARKS	PART NUMBER	NO. REQ'D
Group 29019 BRACKET (COAT HOOK)				
55	BV60E		BC 6029019-A	2
55	BV60E	Lockwasher (external tooth)-No. 8	34938-S8	4
55	BV60E	Screw (pan hd cr. rec. self tap.)-No. 8-15 x 1/2"	52726-S8	4
Group 29022-3 MOULDING AND WEATHERSTRIP (QUARTER OUTSIDE BELT)				
55	BV60B	R. H. -Rustless Steel-25-49/64"-long	BV 6029022-A	1
55	BV60B	L. H. -Rustless Steel-25-49/64"-long	BV 6029023-A	1
55	BV60B	Screw (pan head cross rec.)-No. 8-32 x 3/4"	52742-S8	6
Group 29025 HOOK (COAT)-QUARTER				
55	BV except 76B	Rustless Steel	BA 7029025-D	2
55	BV except 76B	Screw (oval head cross rec.)-No. 8-15 x 1-3/4"	354354-S13	2
Group 29034-5 MOULDING (QUARTER PANEL AT BELT OUTSIDE)				
55	BV70B	R. H. -Rustless Steel-33-33/64" long	B5A 7029034-A	1
55	BV70B	L. H. -Rustless Steel-33-33/64" long	B5A 7029035-A	1
55	BV79B-79C	R. H. -Rustless Steel-40-13/64" long	B6A 7929034-A	1
55	BV79B-79C	L. H. -Rustless Steel-40-13/64" long	B6A 7929035-A	1
55	BV79B-79C	Clip Assembly (moulding)	358560-S100	2
55	BV79B-79C	Nut (hex)-No. 10-24	34053-S8	2
55	BV79B-79C	Washer (external tooth)-No. 10	34903-S8	2
Group 29038-9 MOULDING (QUARTER PANEL OUTSIDE)-LOWER				
55	BV58A-73C	R. H. -Rustless Steel-52-21/32" long	BV 7329038-B	1
55	BV58A-73C	L. H. -Rustless Steel-52-21/32" long	BV 7329039-B	1
55	BV60B-64A-64B-76B	R. H. -Rustless Steel-66-31/32" long	BV 7629038-B	1
55	BV60B-64A-64B-76B	L. H. -Rustless Steel-66-31/32" long	BV 7629039-B	1
55	BV60E-70B	Rustless Steel-74-51/64" long	BV 7029038-B	2
55	BV73B	Rustless Steel-50-21/32" long	BV 7329038-A	2
55	BV79B-79C	R. H. -Rustless Steel-41-3/32" long	BV 7929038-A	1
55	BV79B	L. H. -Rustless Steel-33-21/32" long-with 1/2" beveled end	BV 7929039-A	1
55	BV79C	L. H. -Rustless Steel-33-21/32" long with 1-19/64" beveled end	BV 7929039-B	1
55	BV	Kit-Moulding Clips (exterior) Consists of the following:	MFK 350000-A	1
	(2) 34053-S8	Nut (hex)-No. 10-24	(2) 352262-S8	Clip (moulding)
	(2) 34903-S8	Washer (internal tooth)-No. 10	(8) 357786-S8	Clip (moulding)
	(2) 44713-S8	Washer (flat)-No. 10	(2) 1A 7029074	Seal
			(12) BV 7629144-A	Retainer
Group 29062-3 MOULDING ASSEMBLY (QUARTER OUTSIDE)-UPPER				
55	BV58A	R. H. -Chrome Finish	BV 5829062-A	1
55	BV58A	L. H. -Chrome Finish	BV 5829063-A	1

MERCURY

BODY PARTS CATALOGUE

YEAR 19	BODY TYPES	REMARKS	PART NUMBER	NO. REQ'D
Group 29068-9 MOULDING (QUARTER OUTSIDE)-UPPER				
55	BV64A-64B	R. H. -Rustless Steel-18-1/8" long	BV 6429068-A	1
55	BV64A-64B	L. H. -Rustless Steel-18-1/8" long	BV 6429069-A	1
55	BV76B	R. H. -Rustless Steel-23-51/64" long	BV 7629068-A	1
55	BV76B	L. H. -Rustless Steel-23-51/64" long	BV 7629069-A	1
55	BV60B-60E-64A-64B-76B	Kit-Moulding Clips (exterior)	MFK 350022-A	1
Consists of the following:				
	(1) 44713-S8 Washer	(1) BV 6421046-A Retainer R. H.		
	(1) 50801-S8 Screw & Washer	(1) BV 6421047-A Retainer L. H.		
	(1) 34903-S8 Washer	(11) BV 6429192-A Retainer		
	(1) 34053-S8 Nut (hex)	(1) BV 6421084-A Retainer R. H.		
		(1) BV 6421085-A Retainer L. H.		
Group 29096 SPACER (QUARTER WINDOW GARNISH MOULDING)				
55	BV76B	3/8" x 49/64" x 2-1/4" long	B5A 7629096-A	6
Group 29102 SEAL (QUARTER OUTSIDE ORNAMENT)-UPPER				
55	BV58A	Rubber	BV 5829102-A	2
Group 29108 RETAINER ASSEMBLY (QUARTER OUTSIDE MOULDING)-UPPER				
55	BV79C		BV 7929108-A	6
Group 29144 RETAINER (QUARTER OUTSIDE MOULDING)				
55	BV58A-60B-64A-64B-73C-76B		BV 7629144-A	as req'd
Group 29188 SUPPORT (QUARTER WINDOW GARNISH MOULDING)-FRONT				
55	BV76B	Steel-57/64" x 2-19/32"	B5A 7629188-A	2
55	BV76B	Screw (pan head cross rec.)-No. 8-15 x 3/8"	52720-S8	2
55	BV76B	Washer (external tooth)-No. 8	34938-S8	2
Group 29194-5 MOULDING (QUARTER OUTSIDE TOP)-FRONT				
55	BV70B	R. H. -Rustless Steel-21-15/16" long	BV 7029194-A	1
55	BV70B	L. H. -Rustless Steel-21-15/16" long	BV 7029195-A	1
Group 29226 RETAINER (QUARTER OUTSIDE MOULDING)-TOP-FRONT				
55	BV70B	1/2" x 59/64"	BV 7029226-A	2
Group 29228 RETAINER (QUARTER OUTSIDE TOP FRONT MOULDING)-REAR				
55	BV70B	1/2" x 1-7/64"	BV 7029228-A	2
Group 29230 RETAINER (QUARTER OUTSIDE TOP REAR MOULDING)				
55	BV70B	1/2" x 1-7/8"	BV 7029230-A	2

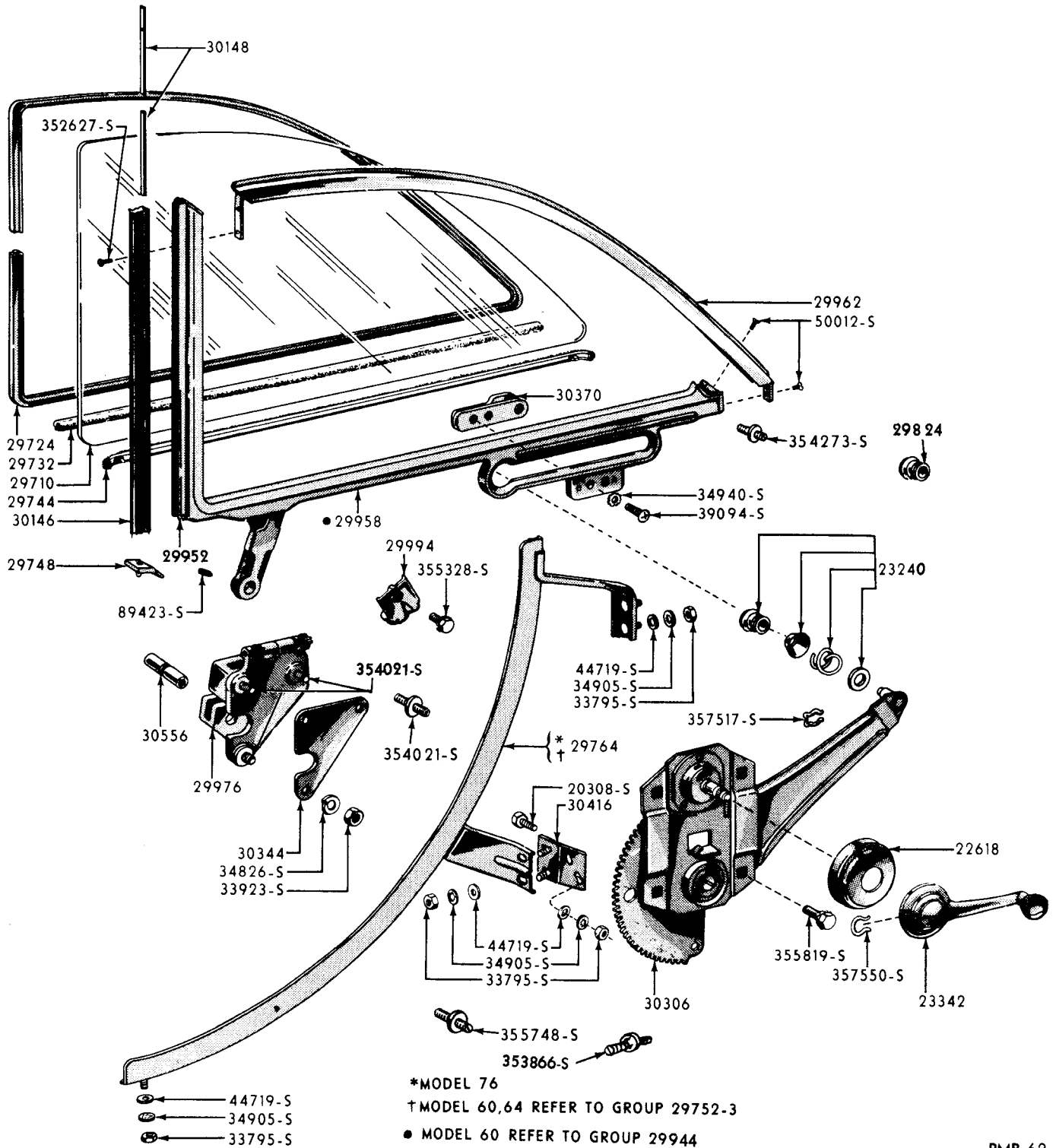
MERCURY

BODY PARTS CATALOGUE

YEAR 19__	BODY TYPES	REMARKS	PART NUMBER	NO. REQ'D
Group 29424-5 SUPPORT ASSEMBLY (QUARTER WINDOW TO WHEELHOUSE)				
55	BV70B	R. H.	B5A 7029424-A	1
55	BV70B	L. H.	B5A 7029425-A	1
Group 29458-9 FILLER (QUARTER WINDOW OPENING CORNER)-REAR				
55	BV79B-79C	R. H.	B5A 7929458-C	1
55	BV79B-79C	L. H.	B5A 7929459-C	1
Group 29664 PLATE QUARTER WINDOW (SLIDING GLASS)-LATCH STRIKER				
55	BV79B-79C	Chrome Finish-Zinc Die Cast	B5A 5929664-A	2
55	BV79B-79C	Screw (pan hd. cross recess tapping)-No. 10-12 x 1/2"	52727-S8	2
Group 29668-9 LATCH ASSEMBLY (QUARTER WINDOW SLIDING GLASS)				
55	BV79B-79C	R. H.	B5A 5929668-B	1
55	BV79B-79C	L. H.	B5A 5929669-B	1
Group 29710 GLASS (REAR QUARTER WINDOW)				
55	BV60B-60E	Clear	B5A 6029710-A	2
55	BV60B-60E	Tinted (Green)	B5A 6029710-B	2
55	BV64A-64B	Clear	BV 6429710-A	2
55	BV64A-64B	Tinted (Green)	BV 6429710-B	2
55	BV70B	Clear	B5A 7029710-A	2
55	BV70B	Tinted (Green)	B5A 7029710-B	2
55	BV76B	Clear	B5A 7629710-A	2
55	BV76B	Tinted (Green)	B5A 7629710-B	2
Group 29710 GLASS (QUARTER WINDOW SLIDING)				
55	BV79B-79C	Clear	B5A 7929710-C	2
55	BV79B-79C	Tinted (Green)	B5A 7929710-B	2
55	BV79B-79C	Bumper (rubber)	357385-S	2
Group 29722-3 STRIP (QUARTER WINDOW SLIDING GLASS RETAINING)				
55	BV79B-79C	R. H. -Rubber	B5A 7929722-A	1
55	BV79B-79C	L. H. -Rubber	B5A 7929723-A	1
Group 29724 WEATHER STRIP (QUARTER WINDOW GLASS RETAINING)				
55	BV60B-60E-64A-64B	Rubber-74" long-Cut to length for Models 60B-60E	BV 6429724-A	2
55	BV76B	Rubber-59" long	B5A 7629724-A	2

MERCURY

BODY PARTS CATALOGUE



REAR QUARTER WINDOW PARTS

Group numbers only shown on illustration. Order by Part Numbers shown in list of parts.

MERCURY

BODY PARTS CATALOGUE

YEAR 19___	BODY TYPES	REMARKS	PART NUMBER	NO. REQ'D
Group 29732-3 WEATHERSTRIP ASSEMBLY (QUARTER WINDOW GLASS)-OUTER				
55	BV60E	With Rustless Steel Beading-24-31/32" long	B5A 6029732-A	2
55	BV64A-64B	With Rustless Steel Beading-32-13/64" long	BV 6429732-A	2
55	BV70B	R. H. -with Rustless Steel Beading-25-1/32" long	B5A 7029732-A	1
55	BV70B	L. H. -with Rustless Steel Beading-25-1/32" long	B5A 7029733-A	1
55	BV76B	R. H. -with Rustless Steel Beading-22-25/32" long	B5A 7629732-B	1
55	BV76B	L. H. -with Rustless Steel Beading-22-25/32" long	B5A 7629733-B	1
55	BV60E-64A-64B-70B-76B	Screw (flat head cross rec.)-No. 4-24 x 3/8"	52003-S13	4or6
Group 29740 GLASS ASSEMBLY (QUARTER WINDOW)-STATIONARY				
55	BV79B-79C	Clear	B5A 7929740-A	2
55	BV79B-79C	Tinted (Green)	B5A 7929740-B	2
Group 29744 WEATHERSTRIP (QUARTER WINDOW GLASS AT BELT)-INSIDE				
55	BV60B-60E	With Rustless Steel Beading-26-9/32" long	B5A 6029744-A	2
55	BV64A-64B	With Rustless Steel Beading-33-61/64" long	BV 6429744-A	2
55	BV76B	With Rustless Steel Beading-23-27/32" long	B5A 7629744-A	2
Group 29748-9 WEATHERSTRIP ASSEMBLY (QUARTER WINDOW FRONT LOWER CORNER)				
55	BV60B-60E-64A-64B		B5A 6029748-A	2
55	BV76B	R. H.	B5A 7629748-A	1
55	BV76B	L. H.	B5A 7629749-A	1
55	BV60B-60E-64A-64B-76B	Screw (pan hd. cr. rec.)-No. 8-15 x 3/8"	52720-S8	2
Group 29752-3 GUIDE ASSEMBLY (QUARTER WINDOW)-FRONT				
55	BV60B-60E	R. H.	B5A 6029752-A	1
55	BV60B-60E	L. H.	B5A 6029753-A	1
55	BV64A-64B	R. H.	BV 6429752-A	1
55	BV64A-64B	L. H.	BV 6429753-A	1
55	BV60B-60E-64A-64B	Nut (hex)-5/16"-24	33798-S8	4
55	BV60B-60E-64A-64B	Screw (set)-1/4"-20	353866-S	2
55	BV60B-60E-64A-64B	Screw (set)-5/16"-24	354021-S7	4
55	BV60B-60E-64A-64B	Screw (set)-3/8"-24	355748-S8	2
55	BV60B-60E-64A-64B	Washer (external tooth)-5/16"	34941-S7	4
55	BV60B-60E-64A-64B	Washer (lock)-3/8"	34807-S8	4
Group 29764-5 GUIDE ASSEMBLY (QUARTER WINDOW)-COMPLETE				
55	BV76B	R. H.	B5A 7629764-A	1
55	BV76B	L. H.	B5A 7629765-A	1
55	BV76B	Nut (hex)-1/4"-20	33795-S7	as req'd
55	BV76B	Washer (internal tooth)-1/4"	34905-S7	as req'd
55	BV76B	Washer (flat)-1/4"	44719-S8	as req'd

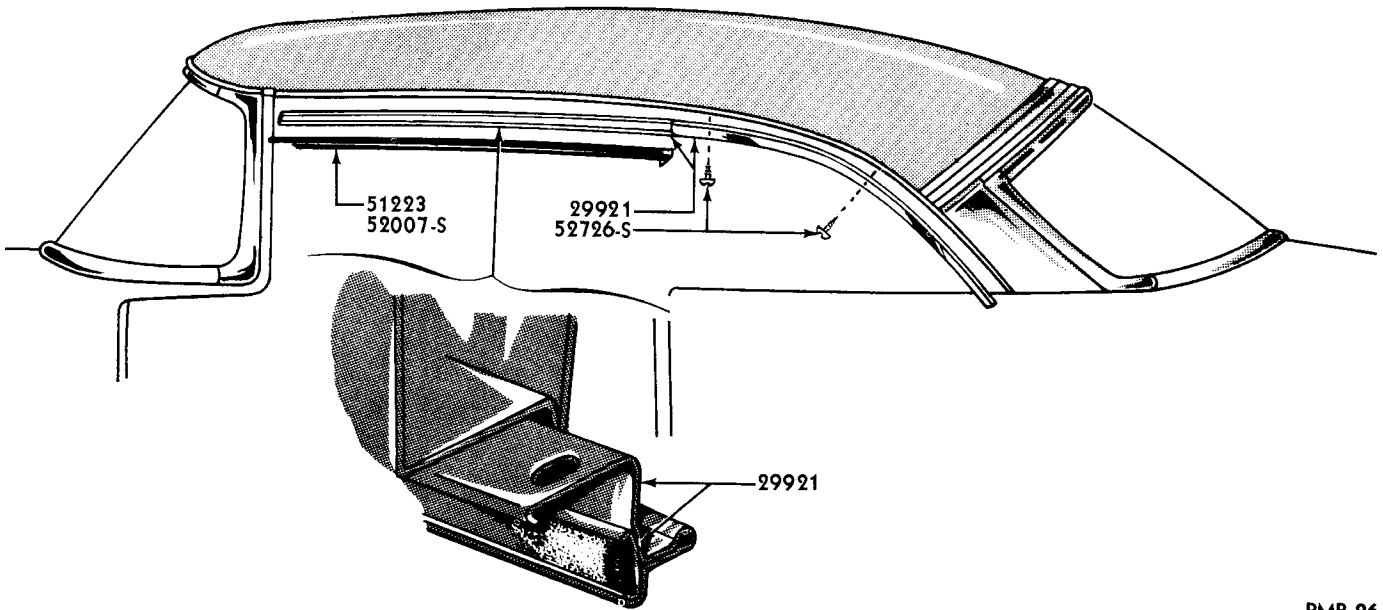
MERCURY

BODY PARTS CATALOGUE

YEAR 19	BODY TYPES	REMARKS	PART NUMBER	NO. REQ'D
Group 29788-9 FILLER (QUARTER WINDOW OPENING FRONT)-CORNER				
55	BV79B-79C	R. H.	B5A 7929788-A	1
55	BV79B-79C	L. H.	B5A 7929789-A	1
Group 29822 STOP ASSEMBLY (QUARTER WINDOW REGULATOR ARM)				
55	BV60B-60E-64A-64B		B5A 6029822-A	4
55	BV60B-60E-64A-64B	Nut (hex)-5/16"-24	33798-S8	2or4
55	BV60B-60E-64A-64B	Pin (cotter)-1/16" x 3/4"	72015-S	2or4
55	BV60B-60E-64A-64B	Washer (external tooth)-5/16"	34941-S7	2or4
Group 29824 ROLLER (QUARTER WINDOW GUIDE)				
55	BV60B-60E-64A-64B	Plastic	B5A 6029824-A	6
55	BV60B-60E-64A-64B	Nut (hex)-5/16"-24	33798-S8	6
55	BV60B-60E-64A-64B	Screw (shoulder)-5/16"-24 x 1"	354080-S	6
55	BV60B-60E-64A-64B	Washer (external tooth)-5/16"	34941-S7	6
55	BV60B-60E-64A-64B	Washer (spring)-3-Wave	354087-S	6
55	BV60B-60E-64A-64B	Washer-35/64" I. D. x 1-3/64" O. D.	354086-S8	6
Group 29900-1 CHANNEL ASSEMBLY (QUARTER WINDOW GLASS)				
55	BV70B	R. H.	B5A 7029900-A	1
55	BV70B	L. H.	B5A 7029901-A	1
Group 29902 CHANNEL (QUARTER WINDOW SLIDING GLASS)				
55	BV79B-79C	Rustless Steel	B5A 7929902-A	2
Group 29904 WEATHERSTRIP (QUARTER WINDOW)-STATIONARY GLASS				
55	BV79B-79C		B5A 5929904-A	2
Group 29910-1 WEATHERSTRIP ASSEMBLY (QUARTER WINDOW STATIONARY GLASS)-VERTICAL				
55	BV79B-79C	R. H. -14-11/16" long	B5A 7929910-A	1
55	BV79B-79C	L. H. -14-11/16" long	B5A 7929911-A	1

MERCURY

BODY PARTS CATALOGUE



PMB-26

ROOF SIDE RAIL & PILLAR WEATHERSTRIP INSTALLATION

Group numbers only shown on illustration. Order by Part Numbers shown in list of parts.

YEAR 19__	BODY TYPES	REMARKS	PART NUMBER	NO. REQ'D
Group 29920-1 RETAINER ASSEMBLY (FRONT & QUARTER WEATHERSTRIP)-OUTSIDE UPPER				
55	BV60B-60E	R. H.	B5A 6029920-C	1
55	BV60B-60E	L. H.	B5A 6029921-C	1
55	BV64A-64B	R. H.	BV 6429920-B	1
55	BV64A-64B	L. H.	BV 6429921-B	1
55	BV60B-60E-64A-64B	Screw (pan head cross recessed)-No. 8-15 x 1/2"	52726-S2	as req'd
Group 29944-5 CHANNEL (QUARTER WINDOW LOWER)				
55	BV60B-60E	R. H.	B5A 6029944-B	1
55	BV60B-60E	L. H.	B5A 6029945-B	1
Group 29952 RETAINER (QUARTER WINDOW FRONT WEATHERSTRIP)				
55	BV60B-60E	Rustless Steel	BN 6029952-A	2
Group 29958-9 CHANNEL ASSEMBLY (QUARTER WINDOW)-LOWER				
55	BV64A-64B	R. H.	BV 6429958-A	1
55	BV64A-64B	L. H.	BV 6429959-A	1
55	BV76B	Chrome Finish	B5A 7629958-A	2
Group 29962-3 CHANNEL ASSEMBLY (QUARTER WINDOW)-UPPER				
55	BV60B-60E	Chrome Finish	B5A 6029962-A	2
55	BV64A-64B	Chrome Finish	BV 6429962-A	2
55	BV76B	R. H. -Chrome Finish	B5A 7629962-A	1
55	BV76B	L. H. -Chrome Finish	B5A 7629963-A	1

MERCURY

BODY PARTS CATALOGUE

YEAR 19	BODY TYPES	REMARKS	PART NUMBER	NO. REQ'D
Group 29968 STOP ASSEMBLY (QUARTER WINDOW)				
55	BV70B		BA 7029968-B	2
Group 29976-7 BRACKET AND HINGE ASSEMBLY (QUARTER WINDOW)-ON BODY				
55	BV76B	R.H.	B5A 7629976-A	1
55	BV76B	L.H.	B5A 7629977-A	1
55	BV76B	Nut (hex)-5/16"-24	33923-S7	6
55	BV76B	Screw (set)-5/16"-24	354021-S7	6
55	BV76B	Washer (lock)-5/16"	34826-S7	6
Group 29986 BUMPER (QUARTER WINDOW STOP)-OUTER				
55	BV76B	Rubber	B5A 6029986-A	2
55	BV76B	Nut (jam)-1/4"	33921-S13	2
55	BV76B	Washer (lock)-1/4"	34805-S7	2
Group 29986 BUMPER ASSEMBLY (QUARTER WINDOW STOP)-LOWER				
55	BV76B	Screw Type-1-23/32" long	B5A 7629986-A	2
Group 29990-1 FILLER (QUARTER WINDOW OPENING)-UPPER				
55	BV79B-79C	R.H.	B5A 5929990-A	1
55	BV79B-79C	L.H.	B5A 5929991-A	1
Group 29994 BUMPER (QUARTER WINDOW STOP)-INNER				
55	BV76B	Steel and Rubber	B5A 7629994-B	2
55	BV76B	Bolt and Washer Assy (hex head)-1/4"-28 x 1/2"	35528-S8	2
Group 29996 FILLER (QUARTER WINDOW OPENING)-LOWER				
55	BV79B-79C		B5A 5929996-B	2
Group 30104-5 RUN ASSEMBLY (QUARTER WINDOW GLASS)				
55	BV70B	R.H.	B5A 7030104-A	1
55	BV70B	L.H.	B5A 7030105-A	1
55	BV70B	Nut (hex jam)-1/4"-20	33795-S7	2
55	BV70B	Washer (flat)-No. 10	44713-S8	2
55	BV70B	Washer (special)-1/4"	351274-S7	2
Group 30110 RUN (QUARTER WINDOW SLIDING GLASS)				
55	BV79B-79C		B5A 7930110-B	2
55	BV79B-79C	Screw (flat head cross recess)-No. 6-18 x 1/2"	52010-S8	2

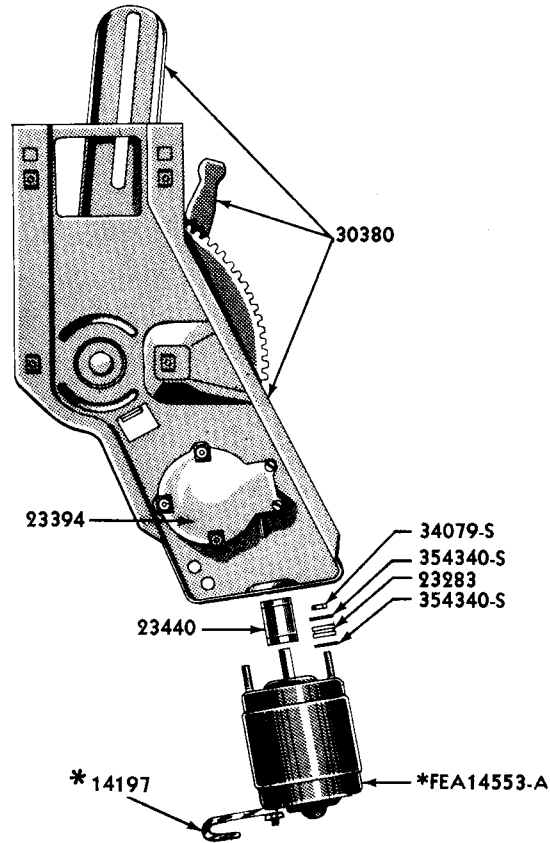
MERCURY

BODY PARTS CATALOGUE

YEAR 19	BODY TYPES	REMARKS	PART NUMBER	NO. REQ'D
Group 30146-7 WEATHERSTRIP ASSEMBLY (QUARTER WINDOW)-FRONT				
55	BV60B-60E-64A-64B-76B	R. H. -Rubber-15" long cut to size for Models 64A-64B-76B	B5A 6030146-A	1
55	BV60B-60E-64A-64B-76B	L. H. -Rubber-15" long cut to size for Models 64A-64B-76B	B5A 6030147-A	1
55	BV60B-60E	Clip (trim)	358473-S100	4
Group 30148 INSERT (QUARTER WINDOW WEATHERSTRIP)-FRONT				
55	BV60B-60E-64A-64B-76B	15" long	B5A 6030148-A	2
Group 30304-5 DRIVE ASSEMBLY (QUARTER WINDOW REGULATOR)-ELECTRIC				
55	BV60B-60E	R. H.	B5A 6030304-A	1
55	BV60B-60E	L. H.	B5A 6030305-A	1
Group 30306-7 REGULATOR ASSEMBLY (QUARTER WINDOW)				
55	BV60B-60E	R. H. -Manual Control	B5A 6030306-A	1
55	BV60B-60E	L. H. -Manual Control	B5A 6030307-A	1
55	BV64A-64B	R. H. -Manual Control	B5A 6430306-A	1
55	BV64A-64B	L. H. -Manual Control	B5A 6430307-A	1
55	BV70B	R. H. -Manual Control	B5A 7030306-A	1
55	BV70B	L. H. -Manual Control	B5A 7030307-A	1
55	BV76B	R. H. -Manual Control	B5A 7630306-D	1
55	BV76B	L. H. -Manual Control	B5A 7630307-D	1
55	BV60B-60E-64A-64B-76B	Screw & Washer Assy (hex hd)-No. 12-24 x 7/16"	355819-S8	8
55	BV60B-60E-70B-76B	Washer (flat)-21/32" I. D. x 7/8" O. D.	351513-S8	2
Group 30344 REINFORCEMENT (QUARTER WINDOW REGULATOR PANEL)				
55	BV76B		B5A 7630344-A	2
Group 30351 SPRING (QUARTER WINDOW REGULATOR COUNTER BALANCE)				
55	BV60B-60E-64A-64B-	Use with Manual Regulator, and Electric Regulator for 64A-64B-76B	B5A 7630351-A	2
55	BV60B-60E	Used on Electric Regulator	BN 6030351-B	2
55	BV70B	Used on Electric Regulator	BN 7030351-B	2
Group 30370 RETAINER ASSEMBLY (QUARTER WINDOW GUIDE)				
55	BV76B		B5A 7630370-A	2
55	BV76B	Screw (hex head)-1/4"-20 x 3/4"	20344-S8	4
55	BV76B	Washer (lock)-1/4"	34940-S7	4

MERCURY

BODY PARTS CATALOGUE



*FOR ADDITIONAL INFORMATION REFER TO
CHASSIS PARTS CATALOGUE

PMB-11

QUARTER WINDOW REGULATOR-ELECTRIC CONTROL

Group numbers only shown on illustration. Order by Part Numbers shown in list of parts.

YEAR 19__	BODY TYPES	REMARKS	PART NUMBER	NO. REQ'D
Group 30380-1 REGULATOR ASSEMBLY (QUARTER WINDOW)-LESS MOTOR & DRIVE ASSEMBLY				
55	BV60B-60E	R. H. -Electric Control	B5A 6030380-B	1
55	BV60B-60E	L. H. -Electric Control	B5A 6030381-B	1
55	BV64A-64B	R. H. -Electric Control	BV 6430380-A	1
55	BV64A-64B	L. H. -Electric Control	BV 6430381-A	1
55	BV76B	R. H. -Electric Control	B5A 7630380-A	1
55	BV76B	L. H. -Electric Control	B5A 7630381-A	1
Group 30406 PLATE (QUARTER WINDOW REAR GUIDE ADJUSTING SCREW)				
55	BV60B-60E	With 2-(7/32") slots	B5A 6030406-A	2
55	BV64A-64B	With 3-(1/4") holes	B5A 6430406-A	2
55	BV60B-60E-64A-64B	Screw (set)-3/8"-24	354273-S8	2
55	BV60B-60E-64A-64B	Screw and Washer Assy (fillister head)-No. 10-32 x 1/2"	50930-S8	4

MERCURY

BODY PARTS CATALOGUE

YEAR 19__	BODY TYPES	REMARKS	PART NUMBER	NO. REQ'D
Group 30416-7 EXTENSION ASSEMBLY (QUARTER WINDOW GUIDE BRACE)				
55	BV76B	R.H. -Chrome Finish	B5A 7630416-A	1
55	BV76B	L.H. -Chrome Finish	B5A 7630417-A	1
55	BV76B	Bolt (hex head)-1/4"-20	20308-S7	4
55	BV76B	Nut (hex)-1/4"-20	33795-S8	4
55	BV76B	Washer (flat)-1/4"	44719-S8	4
55	BV76B	Washer (internal tooth)-1/4"	34905-S7	4
Group 30556 PIN (QUARTER WINDOW FRAME HINGE)				
55	BV76B		BD 7630556-A	2
Group 30702 RECEPTACLE ASSEMBLY (QUARTER AND FRONT SEAT BACK)				
55	BV64A-64B-76B	R.H. -Use FAA 7362844-A Knob and Element	BD 7630702-A	1
55	BV64A-64B-76B	L.H.	BV 7630702-A	1
Group 30710 KNOB (QUARTER ASH RECEPTACLE)				
55	BV64A-64B-76B	Plastic	BD 7630710-A	2
Group 30714-5 RETAINER ASSEMBLY (QUARTER ASH RECEPTACLE)				
55	BV64A-64B-76B	R.H. -Chrome Finish	BD 7630714-A	1
55	BV64A-64B-76B	L.H. -Chrome Finish	BV 7630715-A	1
Group 31064-5 SHIELD ASSEMBLY (QUARTER TRIM)-WATER				
55	BV64A-64B	R.H.	B5A 6431064-B	1
55	BV64A-64B	L.H.	B5A 6431065-B	1
55	BV64A-64B	Screw (pan head)-No. 8-15 x 7/8"	52742-S8	2
55	BV64A-64B	Washer (flat)-No. 8	44710-S8	2
Group 31090-1 SHIELD (QUARTER TRIM)-WATER				
55	BV76B	R.H. -Water proof cardboard	B5A 7631090-C	1
55	BV76B	L.H. -Water proof cardboard	B5A 7631091-B	1
55	BV76B	Nut (spring)-No. 8A	354246-S32	6
55	BV76B	Screw (hex washer head)-No. 8-15 x 5/8"	42133-S8	as req'd
55	BV76B	Washer (flat)-No. 10	44713-S8	as req'd
Group 31104-5 MOULDING (QUARTER TRIM)-TOP				
55	BV64A-64B	R.H. -Rustless Steel-29-7/16"	BV 6431104-C	1
55	BV64A-64B	L.H. -Rustless Steel-29-7/16"	BV 6431105-C	1
Group 31122-3 MOULDING ASSEMBLY (QUARTER TRIM)-CENTER				
55	BV64A-64B	R.H. -Chrome Finish	BV 6431122-A	1
55	BV64A-64B	L.H. -Chrome Finish	BV 6431123-A	1

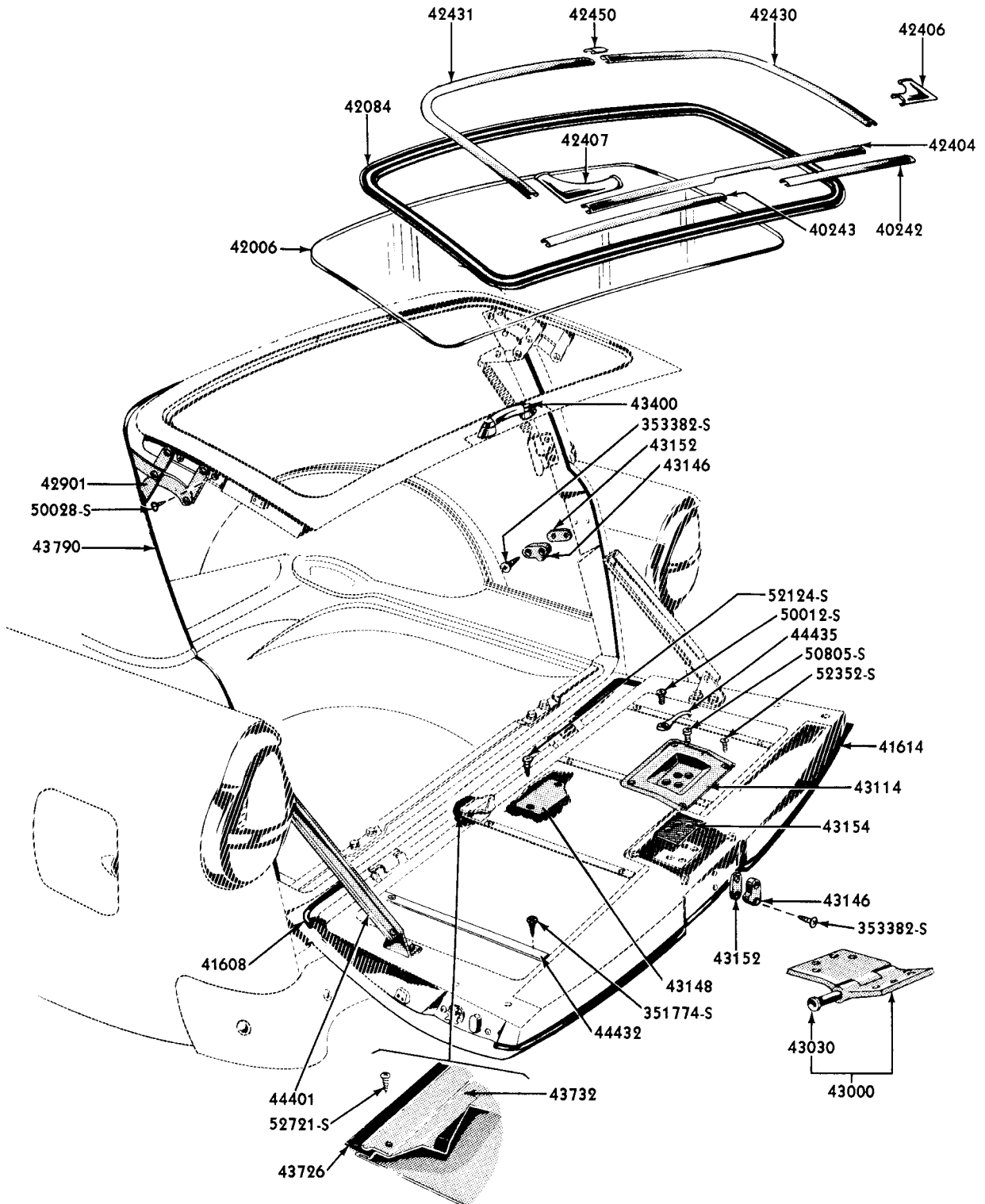
MERCURY

BODY PARTS CATALOGUE

YEAR 19	BODY TYPES	REMARKS	PART NUMBER	NO. REQ'D
Group 31126 ORNAMENT (QUARTER INSIDE)-UPPER				
55	BV58A	Chrome Finish	BV 5831126-A	2
55	BV58A	Screw (oval head cross rec.)-No. 8-15 x 7/8"	52368-S23	2
Group 31140-1 MOULDING ASSEMBLY (QUARTER TRIM)-UPPER				
55	BV60B	Chrome Finish-1-11/16" long	BV 6031140-B	2
55	BV60E-70B	Chrome Finish-9-1/2" long	BV 7031140-A	2
55	BV64A-64B	Chrome Finish-25-15/16" long	BV 6431140-A	2
55	BV76B	R.H. -Chrome Finish-14-47/64" long	BV 7631140-C	1
55	BV76B	L.H. -Chrome Finish-14-47/64" long	BV 7631141-C	1
Group 31144-5 MOULDING ASSEMBLY (QUARTER TRIM)-UPPER				
55	BV79C	R.H. -Rustless Steel-40-11/64" long	BV 7931144-A	1
55	BV79C	L.H. -Rustless Steel-40-11/64" long	BV 7931145-A	1
Group 31150 MOULDING ASSEMBLY (QUARTER TRIM LOWER)-REAR				
55	BV76B	Chrome Finish-12-59/64" long	BV 7631150-C	2
Group 31158-9 BRACKET (QUARTER TRIM UPPER REAR)-TO ARM REST PANEL				
55	BV76B	R.H.	B5A 7631158-A	1
55	BV76B	L.H.	B5A 7631159-A	1
55	BV76B	Screw (pan head cross rec.)-No. 8-15 x 3/8"	52720-S8	10
Group 31168 CLIP (QUARTER TRIM)-RETAINER				
55	BV60E		BT 6031168-A	8
Group 31204-5 MOULDING ASSEMBLY (QUARTER TRIM UPPER)-FRONT				
55	BV76B	R.H. -Rustless Steel-13-23/32" long	BV 7631204-E	1
55	BV76B	L.H. -Rustless Steel-13-23/32" long	BV 7631205-E	1
Group 31214-5 MOULDING ASSEMBLY (QUARTER TRIM)-LOWER FRONT				
55	BV64A-64B	R.H. -Chrome Finish-2-43/64" long	BV 6431214-B	1
55	BV64A-64B	L.H. -Chrome Finish-2-43/64" long	BV 6431215-B	1
55	BV76B	Chrome Finish-12-13/16" long	BV 7631214-B	2
55	BV79C	R.H. -Chrome Finish-17-1/32" long	BV 7931214-A	1
55	BV79C	L.H. -Chrome Finish-17-1/32" long	BV 7931215-A	1
Group 31346-7 RETAINER (QUARTER PILLAR WINDLACE)-LOWER				
55	BV58A-73B-73C-79B-79C	R.H.	B5A 7331346-A	1
55	BV58A-73B-73C-79B-79C	L.H.	B5A 7331347-A	1

MERCURY

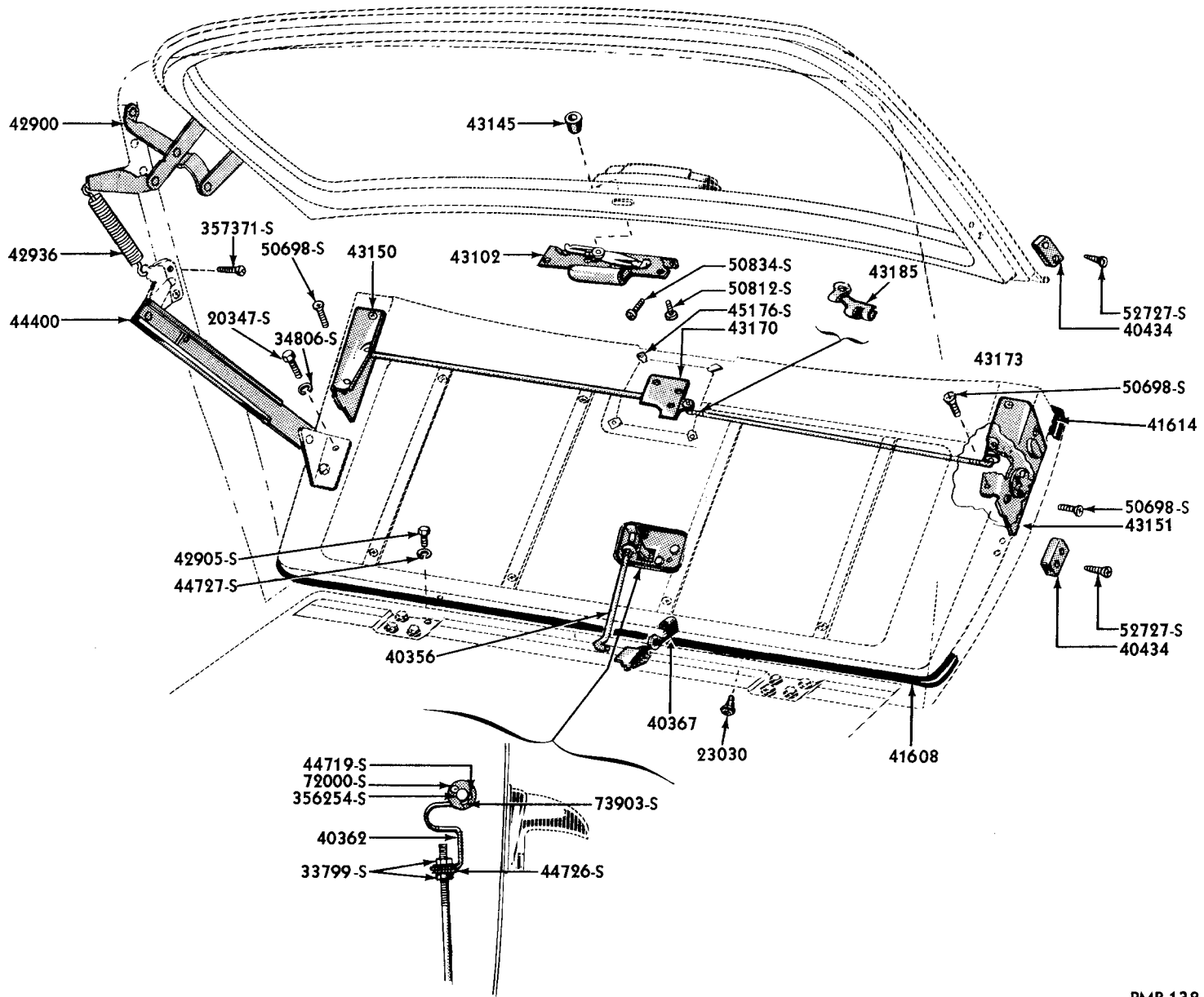
BODY PARTS CATALOGUE



PMB-139

TAIL GATE AND LIFT GATE (EXTERIOR VIEW)

Group numbers only shown on illustration. Order by Part Numbers shown in list of parts.



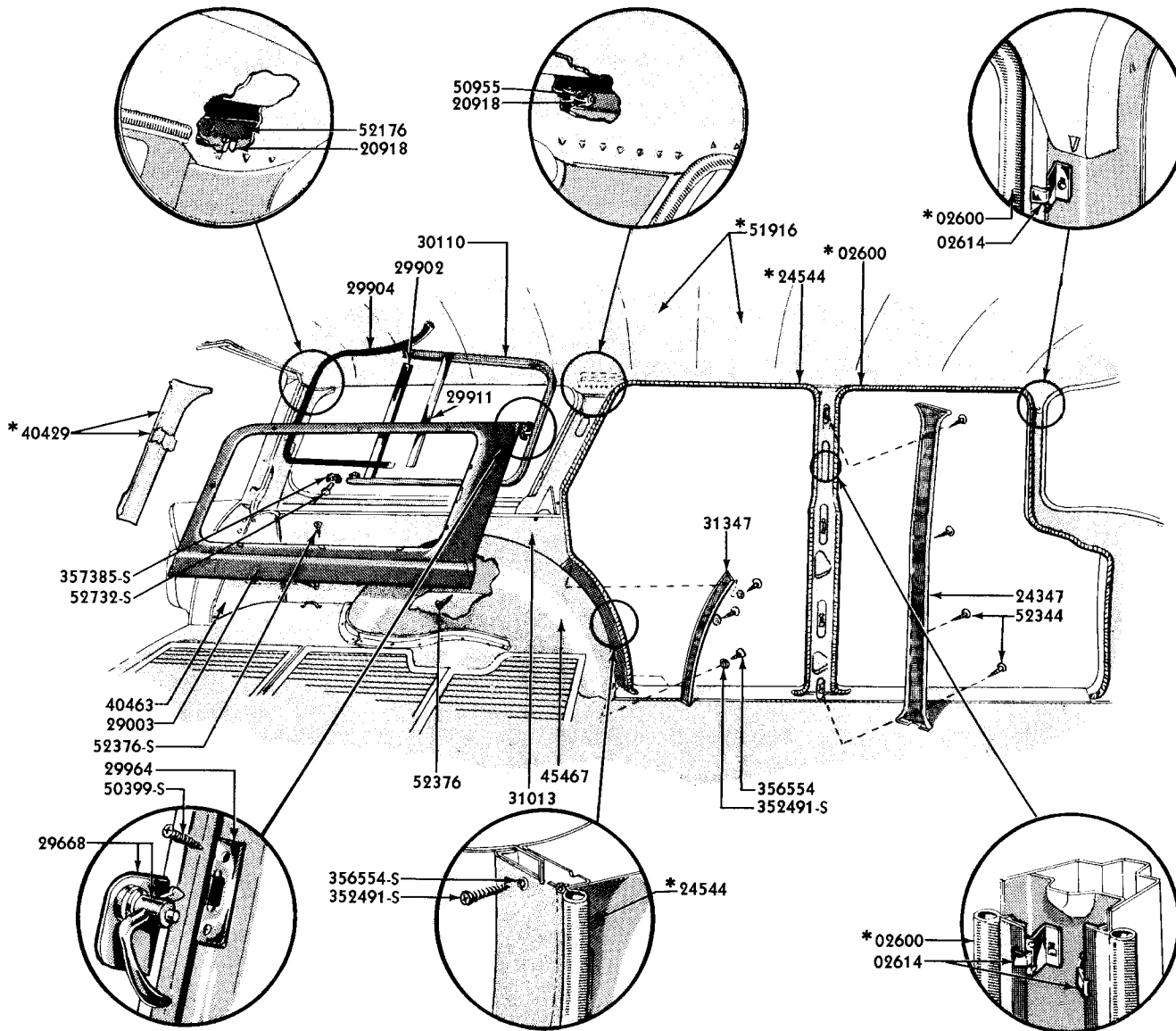
TAIL GATE AND LIFT GATE (INTERIOR VIEW)

Group numbers only shown on illustration. Order by Part Numbers shown in list of parts.

PMB-138

MERCURY

BODY PARTS CATALOGUE



*REFER TO SOFT TRIM SECTION FOR NUMERICAL LISTING.

PMB-163

INTERIOR GARNISH MOULDINGS (BODY TYPE 79)

Group numbers only shown on illustration. Order by Part Numbers shown in list of parts.

MERCURY

BODY PARTS CATALOGUE

YEAR 19	BODY TYPES	REMARKS	PART NUMBER	NO. REQ'D
Group 40010 GATE ASSEMBLY (LIFT)-LESS PAINT AND TRIM				
55	BV79B-79C		BN 5940010-AP	1
Group 40110 DOOR ASSEMBLY (LUGGAGE COMPARTMENT)				
55	BV except 79B-79C		BV 7040110-A	1
Group 40238-9 MOULDING ASSEMBLY (BACK BELT)				
55	BV76B	R. H. -Rustless Steel	BV 7640238-B	1
55	BV76B	L. H. -Rustless Steel	BV 7640239-B	1
55	BV76B	Retainer	B5A 7640248-A	18
55	BV76B	Screw (pan hd. cr. rec. mach.)-No. 10-32 x 3/8"	50508-S8	18
55	BV76B	Washer (internal tooth lock)-No. 10	34903-S8	18
Group 40240 COVER (BACK BELT MOULDING JOINT)				
55	BV76B	Rustless Steel-approximately 1" x 1-13/64"	B5A 7640240-A	1
Group 40242-3 MOULDING (BACK BELT)				
55	BV79B-79C	R. H. -Rustless Steel-approximately 51/64" x 21-37/64"	B5A 5940242-A	1
55	BV79B-79C	L. H. -Rustless Steel-approximately 51/64" x 21-37/64"	B5A 5940243-A	1
55	BV79B-79C	Clip assembly (moulding)	358560-S100	2
55	BV79B-79C	Nut (cold punched)-No. 10-24	34053-S8	2
55	BV79B-79C	Retainer	B5A 5840250-A	6
55	BV79B-79C	Washer (internal tooth lock)-No. 10	34903-S8	2
Group 40248 RETAINER (BACK BELT MOULDING)				
55	BV76B	Cadmium Plate-approximately 55/64" x 61/64"	B5A 7640248-A	18
Group 40250 RETAINER (LIFT GATE OUTSIDE BELT MOULDING)				
55	BV79B-79C		B5A 5840250-A	6
Group 40310 PANEL ASSEMBLY (UPPER BACK)				
55	BV58A		BV 5840310-A	1
55	BV60B-60E		BV 6040310-A	1
55	BV64A-64B		BV 6440310-A	1
55	BV76B		BV 7640310-A	1
Group 40320 PANEL ASSEMBLY (BODY BACK)-LOWER				
55	BV except 79B-79C		BV 7040320-B	1
Group 40324 PANEL (LOWER BACK)				
55	BV79B-79C	Steel	B5A 540324-A	1

MERCURY

BODY PARTS CATALOGUE

YEAR 19__	BODY TYPES	REMARKS	PART NUMBER	NO. REQ'D
Group 40356 ROD (LICENSE LAMP LEVELING)				
55	BV79B-79C	Steel Rod-approximately 6-3/4" long	B5A 5940356-A	1
55	BV79B-79C	Nut (light hex)-3/8"-16	33799-S7	2
55	BV79B-79C	Washer (flat)-3/8"	44726-S8	2
55	BV79B-79C	Pin (clevis)-1/4"	73903-S8	1
55	BV79B-79C	Pin (cotter)-1/16" x 3/8"	72000-S7	1
55	BV79B-79C	Washer (flat)-1/4"	44719-S8	1
55	BV79B-79C	Washer (spring)-1/4"	356254-S2	1
Group 40362 SPRING (LICENSE LAMP LEVELING ROD)				
55	BV79B-79C		BA 5940362-A	1
55	BV79B-79C	Pin (clevis)-1/4"	73903-S8	1
55	BV79B-79C	Pin (cotter)-1/16" x 3/8"	72000-S7	1
55	BV79B-79C	Washer (flat)-1/4"	44719-S8	1
55	BV79B-79C	Washer (spring)-1/4"	356254-S2	1
Group 40364-5 GUSSET (REAR CORNER PILLAR TO ROOF RAIL)				
55	BV79B-79C	R. H.	B5A 7940364-A	1
55	BV79B-79C	L. H.	B5A 7940365-A	1
Group 40367 CLIP (LICENSE LAMP LEVELING ROD)				
55	BV79B-79C		BA 5940367-A	1
Group 40434 BUMPER ASSEMBLY (LIFT GATE TO REAR CORNER PILLAR)				
55	BV79B-79C		BF 5940434-A	4
55	BV79B-79C	Screw (pan head cross recessed tap.)-No. 10-12 x 1/2"	52727-S8	8
Group 40462-3 PANEL (REAR CORNER INNER FINISH)-LOWER				
55	BV79B-79C	R. H. -In Prime	B5A 5940462-AP	1
55	BV79B-79C	L. H. -In Prime	B5A 5940463-AP	1
55	BV79B-79C	Screw (cross rec. washer hd)-No. 8-15 x 1-1/4"	351746-S13	1
55	BV79B-79C	Screw (cross rec. washer hd)-No. 8-15 x 1-3/4"	353895-S13	1
55	BV79B-79C	Screw (cross rec. washer hd)-No. 8-15 x 3/4"	350075-S13	4
Group 40702 LIFTGATE ASSEMBLY (TAIL)-LESS PAINT AND TRIM				
55	BV79B-79C		B5A 5940702-AP	1
55	BV79B-79C	Bumper (Rubber)-approximate length 51/64"	11A 7023030-B	2
55	BV79B-79C	Screw & Washer assy (hex hd)-5/16"-24 x 3/4"	42905-S8	8
55	BV79B-79C	Washer (flat)-3/8"	44727-S8	8

MERCURY

BODY PARTS CATALOGUE

YEAR 19	BODY TYPES	REMARKS	PART NUMBER	NO. REQ'D
Group 40910 RAIL (TAIL GATE OUTSIDE FINISH)				
55	BV79C	Fibre Glass	BV 7940910-A	1
55	BV79C	Bolt (hex hd)-5/16"-18 x 1/2"	20310-S8	4
55	BV79C	Cap	358404-S	2
55	BV79C	Nut (spring)-No. 10	357215-S32	2
55	BV79C	Nut (blind sleeve)-5/16"-18	352353-S23	4
55	BV79C	Retainer	358403-S2	2
55	BV79C	Screw (pan hd, cr. rec. tap.)-No. 10-12 x 1-1/4"	52759-S8	2
55	BV79C	Spacer	BV 7940924-A	6
55	BV79C	Spacer	BV 7940924-B	2
55	BV79C	Spacer	BV 7920774-B	1
55	BV79C	Washer (spring lock)-5/16"	34806-S7	4
55	BV79C	Decal (Mahogany)-34" x 48-7/8" cut to size	BV 7920748-A	1
55	BV79C	Decal (Maple)-33" x 46-3/4" cut to size	BA 7920748-B	1
55	BV79C	Synthetic Resin Plastic	M 5397-B	as req'd
Group 40924 SPACER (OUTSIDE FINISH RAIL)				
55	BV79C	Tail Gate, Rear Doors, and Quarter	BV 7940924-A	as req'd
55	BV79C	Tail Gate	BV 7940924-B	2
Group 41032-3 PILLAR ASSEMBLY (REAR CORNER)				
55	BV79B-79C	R. H.	B5A 5941032-A	1
55	BV79B-79C	L. H.	B5A 5941033-A	1
Group 41056-7 REINFORCEMENT (REAR CORNER)				
55	BV79B-79C	R. H.	BN 7941056-A	1
55	BV79B-79C	L. H.	BN 7941057-A	1
Group 41302 RAIL ASSEMBLY (LIFT GATE HEADER)				
55	BV79B-79C		B5A 5941302-A	1
Group 41608 WEATHERSTRIP ASSEMBLY (TAIL GATE)-LOWER				
55	BV79B-79C	Rubber-Black	B5A 5941608-D	1
55	BV79B-79C	Rubber Cement	M 5384-T	as req'd
Group 41614 WEATHERSTRIP ASSEMBLY (TAIL GATE)-UPPER				
55	BV79B-79C	Rubber	B5A 5941614-B	1
55	BV79B-79C	Rubber Cement	M 5384-T	as req'd
Group 41732-3 RAIL ASSEMBLY (BELT SIDE)				
55	BV76B	R. H.	B5A 7641732-A	1
55	BV76B	L. H.	B5A 7641733-A	1

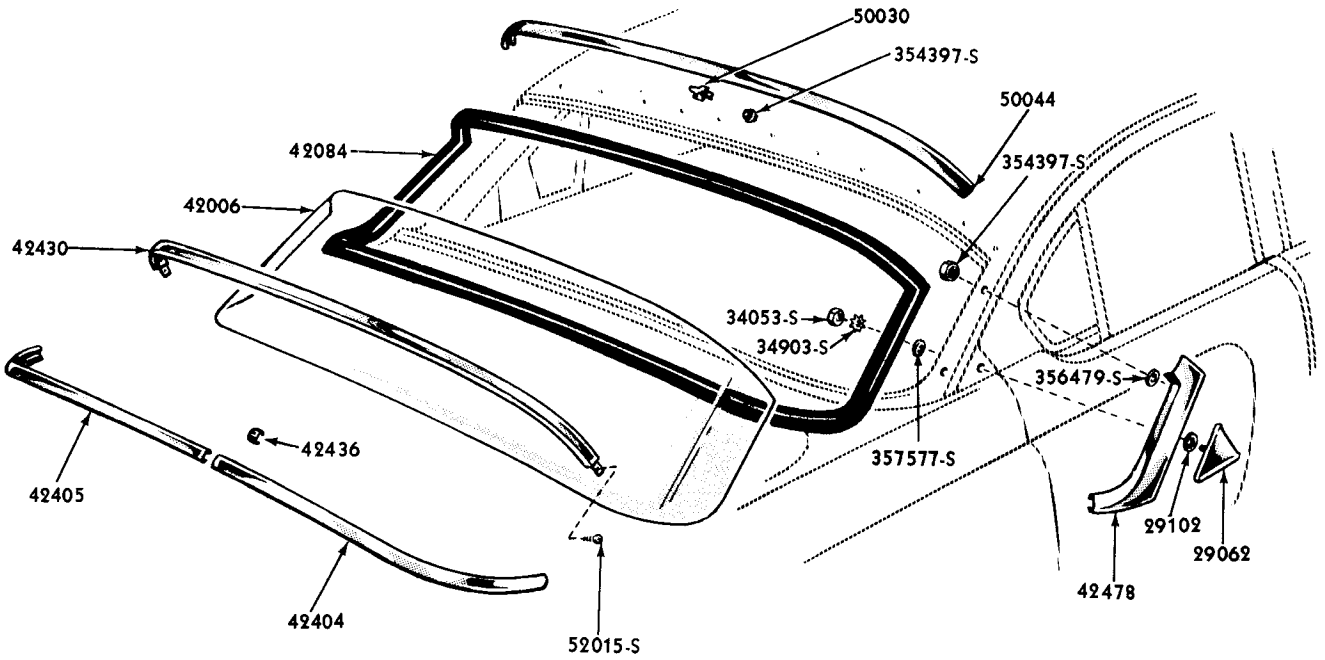
MERCURY

BODY PARTS CATALOGUE

YEAR 19	BODY TYPES	REMARKS	PART NUMBER	NO. REQ'D
Group 41736-7 RAIL (BELT SIDE)-OUTER				
55	BV60B-60E	R. H. -approximate length 32"	B5A 6041736-A	1
55	BV60B-60E	L. H. -approximate length 32"	B5A 6041737-A	1
55	BV64A-64B	R. H. -approximate length 29-1/4"	B5A 6441736-A	1
55	BV64A-64B	L. H. -approximate length 29-1/4"	B5A 6441737-A	1
Group 41745 STRIP ASSEMBLY (BELT TACKING)-CENTER				
55	BV76B	Steel-approximately 57-59/64"	B5A 7641745-A	1
Group 41772-3 STRIP ASSEMBLY (BELT TACKING)-SIDE FRONT				
55	BV76B	R. H. -Steel-approximate length 11"	B5A 7641772-B	1
55	BV76B	L. H. -Steel-approximate length 11"	B5A 7641773-B	1
Group 41782-3 STRIP ASSEMBLY (BELT TACKING)-SIDE REAR				
55	BV76B	R. H. -Steel-approximate length 8"	B5A 7641782-A	1
55	BV76B	L. H. -Steel-approximate length 8"	B5A 7641783-A	1
Group 42006 GLASS (BACK WINDOW)				
55	BV58A	Clear	BV 5842006-A	1
55	BV58A	Tinted	BV 5842006-B	1
55	BV60B-60E	Clear	B5A 6042006-A	1
55	BV60B-60E	Tinted (Green)	B5A 6042006-B	1
55	BV64A-64B	Clear	B5A 6442006-A	1
55	BV64A-64B	Tinted (Green)	B5A 6442006-B	1
55	BV70B-73B-73C	Clear	B5A 7042006-A	1
55	BV70B-73B-73C	Tinted (Green)	B5A 7042006-B	1
55	BV79B-79C	Clear	B5A 5942006-A	1
55	BV79B-79C	Tinted (Green)	B5A 5942006-B	1
Group 42084 WEATHERSTRIP (BACK WINDOW)				
55	BV58A	Rubber	BV 5842084-A	1
55	BV60B-60E	Rubber	B5A 6042084-B	1
55	BV64A-64B	Rubber	B5A 6442084-B	1
55	BV70B-73B-73C	Rubber	B5A 7042084-B	1
55	BV79B-79C	Rubber	B5A 5942084-D	1
Group 42204 FRAME AND UPPER BACK PANEL ASSEMBLY (BACK WINDOW)-LOWER				
55	BV70B-73B-73C		BV 7042204-A	1
Group 42208 FRAME ASSEMBLY (BACK WINDOW)-UPPER				
55	BV58A		BV 5842208-A	1
55	BV60B-60E		B5A 6042208-A	1
55	BV64A-64B		B5A 6442208-A	1
55	BV70B-73B-73C		B5A 7042208-A	1

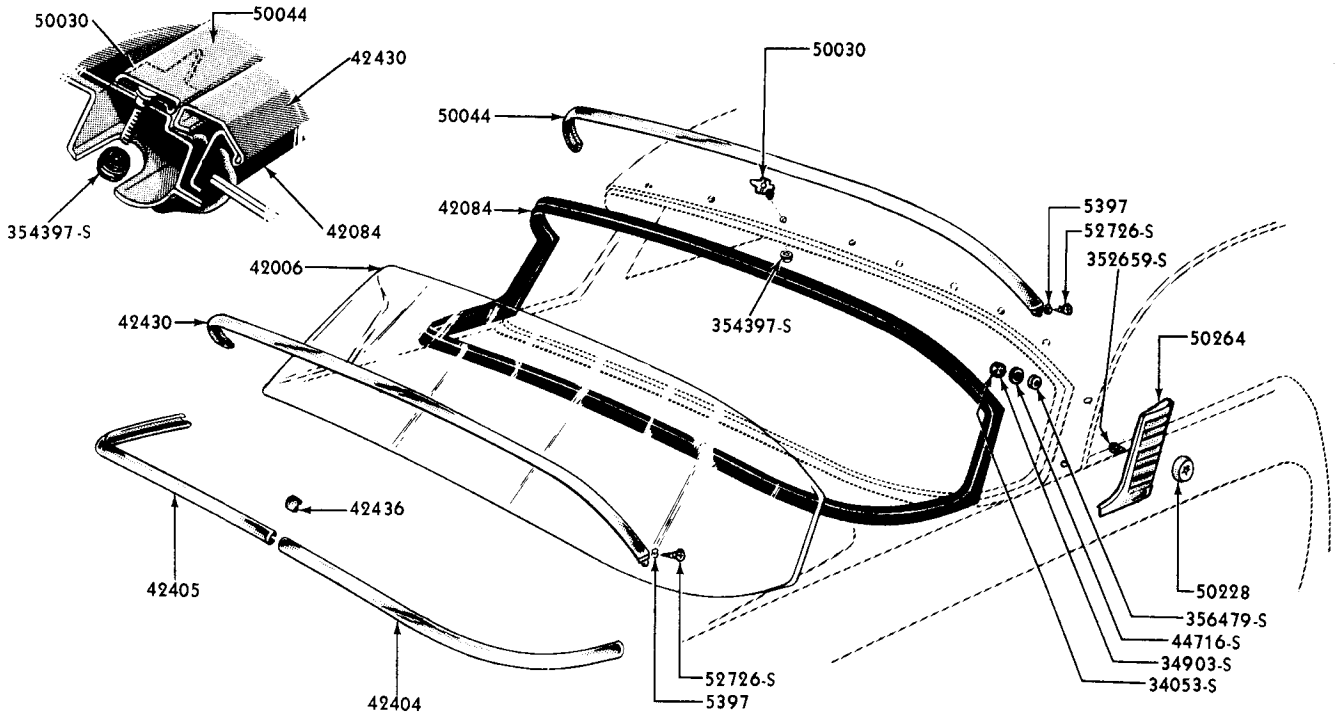
MERCURY

BODY PARTS CATALOGUE



BODY TYPE 58

PMB-140



BODY TYPE 60

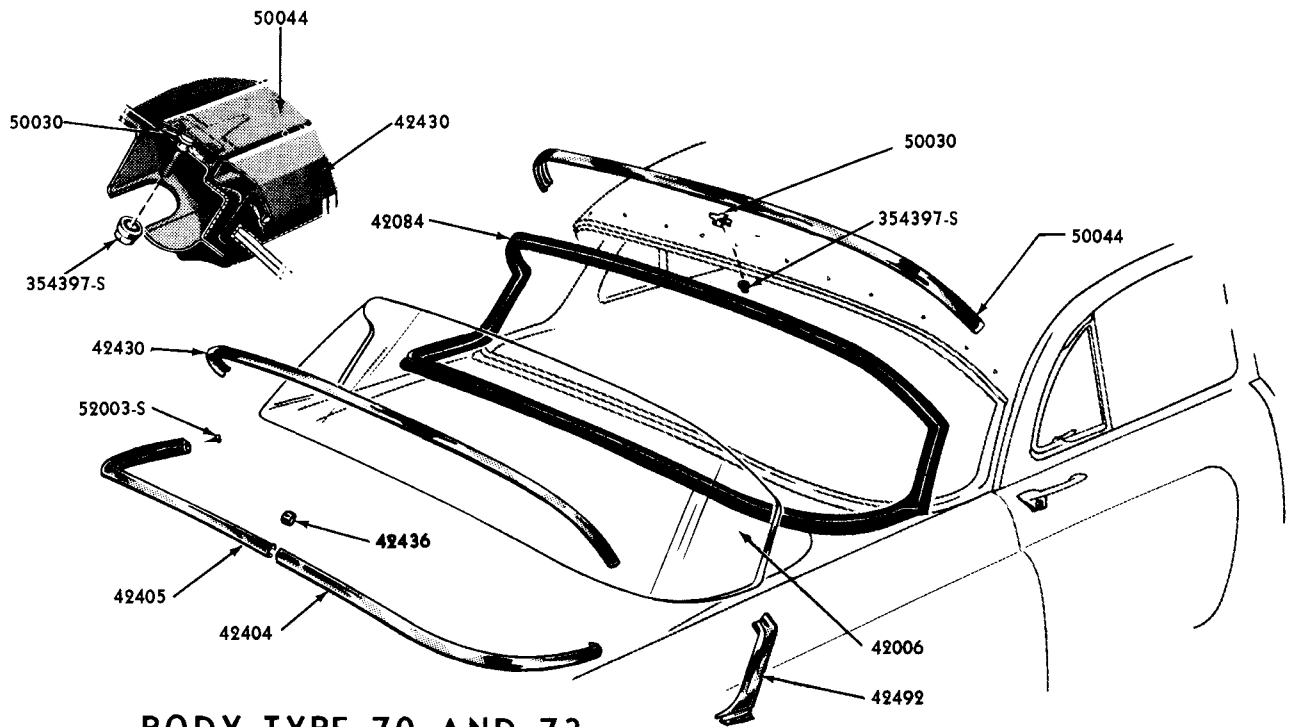
PMB-142

REAR WINDOW

Group numbers only shown on illustration. Order by Part Numbers shown in list of parts.

MERCURY

BODY PARTS CATALOGUE



BODY TYPE 70 AND 73

PMB-141

REAR WINDOW

Group numbers only shown on illustration. Order by Part Numbers shown in list of parts.

YEAR 19__	BODY TYPES	REMARKS	PART NUMBER	NO. REQ'D
Group 42404-5 MOULDING (BACK WINDOW OUTSIDE)-LOWER				
55	BV58A	R. H.	BV 5842404-A	1
55	BV58A	L. H.	BV 5842405-A	1
55	BV60B-60E	R. H. -Rustless Steel-approximately 1-3/32" x 30"	B5A 6042404-A	1
55	BV60B-60E	L. H. -Rustless Steel-approximately 1-3/32" x 30"	B5A 6042405-A	1
55	BV64A-64B	R. H. -Rustless Steel-approximately 1-3/32" x 29-3/16"	B5A 6442404-A	1
55	BV64A-64B	L. H. -Rustless Steel-approximately 1-3/32" x 29-3/16"	B5A 6442405-A	1
55	BV70B	R. H. -Rustless Steel-approximately 29/32" x 30-1/2" across ends	B5A 7042404-A	1
55	BV70B	L. H. -Rustless Steel-approximately 29/32" x 30-1/2" across ends	B5A 7042405-A	1
55	BV73B-73C	R. H. -Rustless Steel-approximately 29/32" x 30-1/2" across ends and 1/8" hole in one end	B5A 7342404-A	1
55	BV73B-73C	L. H. -Rustless Steel-approximately 29/32" x 30-1/2" across ends and 1/8" hole in one end	B5A 7342405-A	1
55	BV79B-79C	Rustless Steel-approximately 1-29/64" x 80-45/64"	B5A 5942404-A	1
55	BV73B-73C	Screw (flat hd. cr. rec. self tap.)-No. 4-24 x 3/8"	52003-S13	2
Group 42406-7 MOULDING (BACK WINDOW OUTSIDE)-LOWER CORNER				
55	BV79B-79C	R. H. -Rustless Steel	B5A 5942406-B	1
55	BV79B-79C	L. H. -Rustless Steel	B5A 5942407-B	1

MERCURY

BODY PARTS CATALOGUE

YEAR 19___	BODY TYPES	REMARKS	PART NUMBER	NO. REQ'D
Group 42410 MOULDING (BACK WINDOW GARNISH)-UPPER				
55	BV64A-64B	Chrome Finish approximately 1-1/16" x 52-13/16" across ends	BV 6442410-A	1
55	BV64A-64B	Screw (oval hd. cr. rec. tap.)-No. 8-18 x 5/8"	52352-S13	7
Group 42416-7 MOULDING (BACK WINDOW GARNISH)-SIDE				
55	BV64A-64B	R. H. -Chrome Finish-approx. 25/32" x 11" with (2) c/sunk holes	BV 6442416-A	1
55	BV64A-64B	L. H. -Chrome Finish-approx. 25/32" x 11" with (2) c/sunk holes	BV 6442417-A	1
55	BV64A-64B	Screw (oval hd. cr. rec. tap.)-No. 8-32 x 5/8"	52926-S13	2
Group 42430-1 MOULDING (BACK WINDOW OUTSIDE)-UPPER				
55	BV58A	Rustless Steel-approximately 1-1/32" x 55-35/64" across ends-11/16" tab each end with 3/16" dia. hole	BV 5842430-B	1
55	BV60B	"V" Surface	BV 6042430-D	1
55	BV60E	Round Surface	BV 6042430-C	1
55	BV64A-64B	Rustless Steel-V shape surface-approximately 1-1/32" x 50-9/16" across ends	BV 6442430-A	1
55	BV70B-73B	Rustless Steel-Round Shape Surface 1" x 56-27/32" across ends-11/16" tab each end with 3/16" dia. hole	BV 7042430-B	1
55	BV73C	Rustless Steel-"V" Shape Surface-approximately 1-1/32" x 56-27/32"	BV 7342430-A	1
55	BV79B-79C	R. H. -Rustless Steel-approximately 13/16" x 23-21/64"	B5A 5942430-A	1
55	BV79B-79C	L. H. -Rustless Steel-approximately 13/16" x 23-21/64"	B5A 5942431-A	1
55	BV60B-60E-64A-64B	Screw (pan hd. cr. rec. tap.)-No. 8-15 x 1/2"	52726-S2	2
55	BV60B-60E-64A-64B	Sealer (synthetic resin plastic)	M 5397-B	as req'd
55	BV58A-70B-73B-73C	Screw (flat hd. cr. rec.)-No. 6-18 x 5/8"	52015-S8	2
Group 42436 COVER (BACK WINDOW AND WINDSHIELD OUTSIDE LOWER MOULDING JOINT)				
55	BV58A-60B-60E-64A-64B	Rustless Steel-approximately 1-1/8" x 1-13/64"-Used on Back Window	B5A 6042436-A	1
55	BV70B-73B-73C	Rustless Steel-approximately 1-1/8" x 1-13/64"-Used on Back Window-Also used on Windshield Outside Belt Moulding-(all models)	B5A 7042436-B	1
55	BV70B-73B-73C-58A	Screw (flat hd. cr. rec. tap.)-No. 4-24 x 3/8"	52003-S13	2
Group 42450 COVER (LIFT GATE OUTSIDE MOULDING JOINT)-UPPER				
55	BV79B-79C	Rustless Steel-approximately 53/64" x 1"	B5A 5942450-A	1
Group 42458 COVER (BACK WINDOW GARNISH MOULDING CORNER JOINT)				
55	BV64A-64B	R. H. -Chrome Finish-width one end 27/32" other end 1-1/8"	BV 6442458-A	1
55	BV64A-64B	L. H. -Chrome Finish-width one end 27/32" other end 1-1/8"	BV 6442459-A	1
55	BV64A-64B	Screw (oval hd. cr. rec. tap.)-No. 8-18 x 1"	52376-S13	2

MERCURY

BODY PARTS CATALOGUE

YEAR 19__	BODY TYPES	REMARKS	PART NUMBER	NO. REQ'D
Group 42478-9 MOULDING ASSEMBLY (BACK WINDOW OUTSIDE)-SIDE				
55	BV58A	R. H. -Rustless Steel	BV 5842478-B	1
55	BV58A	L. H. -Rustless Steel	BV 5842479-B	1
55	BV64A-64B	R. H. -Rustless Steel	BV 6442478-B	1
55	BV64A-64B	L. H. -Rustless Steel	BV 6442479-B	1
55	BV58A	Nut and Washer Assy (No. 10-24)	354397-S100	2
55	BV58A	Washer (flat)	356479-S	2
Group 42492-3 MOULDING (BACK WINDOW OUTSIDE)-SIDE				
55	BV70B-73B	R. H. -Rustless Steel	BV 7042492-A	1
55	BV70B-73B	L. H. -Rustless Steel	BV 7042493-A	1
55	BV73C	R. H. -Rustless Steel	BV 7342492-A	1
55	BV73C	L. H. -Rustless Steel	BV 7342493-A	1
Group 42530 MEDALLION (LUGGAGE COMPARTMENT DOOR HANDLE)				
55	BV	Acrylic Resin-also used on Tail Gate Handle	BV 7042530-A	1
Group 42620 PAD (TAIL GATE ORNAMENT)				
55	BV79B	Rubber	BV 7942620-A	1
Group 42700-1 HINGE ASSEMBLY (LUGGAGE COMPARTMENT DOOR)				
55	BV except 79B-79C	R. H.	BV 7042700-A	1
55	BV except 79B-79C	L. H.	BV 7042701-A	1
55	BV except 79B-79C	Bolt (hex head)-5/16"-18 x 1/2"	20310-S8	3
55	BV except 79B-79C	Screw & Washer Assy (hex-hd)-5/16"-18 x 3/4"	42789-S8	2
55	BV except 79B-79C	Washer (external tooth)-5/16"	34941-S7	3
55	BV except 79B-79C	Washer (flat)-5/16"	44722-S8	3
55	BV except 79B-79C	Washer (flat)-21/64" I. D. x 7/8" O. D.	351555-S8	2
Group 42738-9 BRACKET (LUGGAGE COMPARTMENT DOOR HINGE TO WHEELHOUSE)				
55	BV except 79B-79C	R. H. -Steel	B5A 7042738-A	1
55	BV except 79B-79C	L. H. -Steel	B5A 7042739-A	1
Group 42760 SPRING (LUGGAGE COMPARTMENT DOOR HINGE)				
55	BV except 79B-79C	Approximately 7-1/4" free length between hooks-1-1/2" O. D. - with 26-1/4" coils	BV 7042760-A	2
Group 42762 SPRING (LUGGAGE COMPARTMENT DOOR HINGE HELPER)				
55	BV except 79B-79C	Steel Wire-45-1/2 coils-approximate free length 4-5/8"	BV 7042762-A	as req'd
Group 42900-1 HINGE ASSEMBLY (LIFT GATE)				
55	BV79B-79C	R. H.	B5A 5942900-A	1
55	BV79B-79C	L. H.	B5A 5942901-A	1
55	BV79B-79C	Screw (flat hd. cr. rec.)-5/16"-24 x 5/8"	50028-S8	10

MERCURY

BODY PARTS CATALOGUE

YEAR 19__	BODY TYPES	REMARKS	PART NUMBER	NO. REQ'D
Group 42936 SPRING (LIFT GATE HINGE)				
55	BV79B-79C	Free length	B5A 5942936-A	2
Group 43000 HINGE ASSEMBLY (TAIL GATE)				
55	BV79B-79C		B5A 5943000-B	2
Group 43030 PIN (TAIL GATE HINGE)				
55	BV79B-79C	3/8" diameter x 3-9/16"	BA 5943030-A	2
Group 43102 LOCK ASSEMBLY (LIFT GATE)				
55	BV79B-79C		B5A 5943102-C	1
55	BV79B-79C	Screw and washer assy (pan hd. cr. rec.)-No. 12-20 x 1/2"	50812-S8	2
55	BV79B-79C	Screw and washer assy (pan hd. cr. rec.)-No. 12-24 x 7/8"	50834-S8	2
Group 43114 COVER (TAIL GATE LOCK ACCESS)				
55	BV79B-79C	Steel-approx. length 7-5/16" with (1) hole 1" dia. (3) slots 1/4" x 1/2"	B5A 5943114-AP	1
55	BV79B-79C	Nut (spring type 1"U" tap.)-No. 8-15	45176-S32	4
55	BV79B-79C	Screw (oval-hd cross rec. self tap.)-No. 8-15 x 5/8"	52352-S13	4
55	BV79B-79C	Screw and Washer Assy (pan hd. cr. rec.)-No. 12-24 x 3/8"	50805-S8	4
Group 43125 COVER (LUGGAGE COMPARTMENT DOOR LOCK ACCESS HOLE)				
55	BV except 79B-79C	Steel	BN 7043125-A	1
55	BV except 79B-79C	Screw (pan hd. cr. rec. tap.)-No. 8-15 x 3/8"	52720-S8	2
Group 43132 COVER (LIFT GATE LOCK ACCESS)				
55	BV79B-79C	Overall length approximately 8-7/8"	BA 5943132-A	1
Group 43145 KNOB (LIFT GATE LOCK RELEASE LEVER)				
55	BV79B-79C	Plastic	BA 5943145-A	1
Group 43146-7 PLATE (TAIL GATE LOCK STRIKER)				
55	BV79B-79C	R. H. -Hard Chrome Finish-with two countersunk holes	B5A 5943146-A	2
55	BV79B-79C	L. H. -Hard Chrome Finish-with two countersunk holes	B5A 5943147-A	1
55	BV79B-79C	Screw and Washer assembly (flat head)-5/16"-24 x 1"	353382-S8	3
Group 43148 COVER (TAIL GATE LICENSE LAMP ACCESS HOLE)				
55	BV79B-79C	Steel-approximately 5-3/64" x 6"	B5A 5943148-A	1
55	BV79B-79C	Screw (flat-hd cr. rec. tap. type "B")-No. 10-12 x 1/2"	52124-S8	2

MERCURY

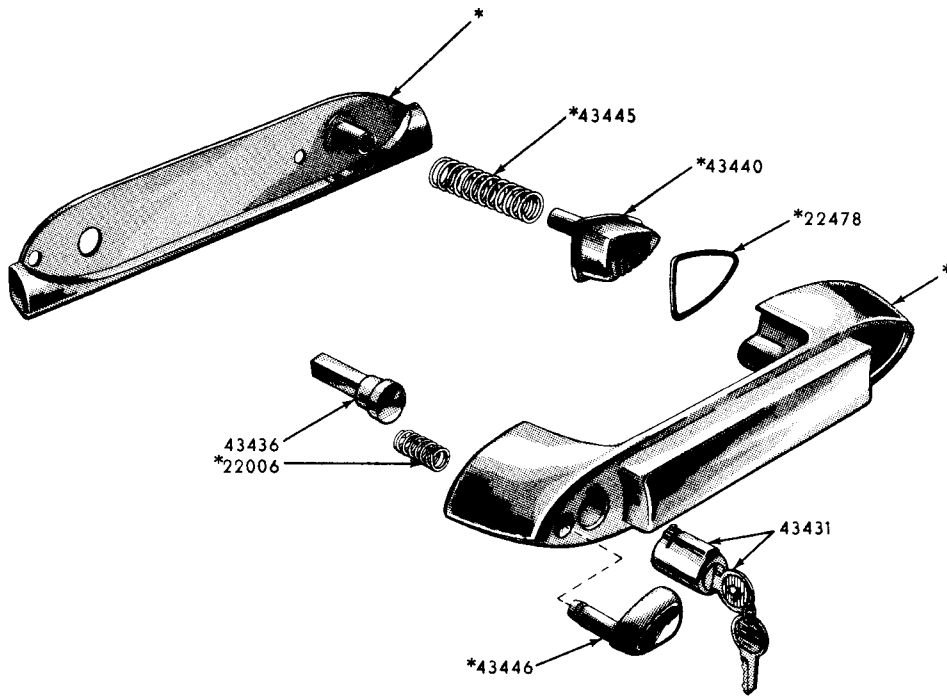
BODY PARTS CATALOGUE

YEAR 19____	BODY TYPES	REMARKS	PART NUMBER	NO. REQ'D
Group 43150-1 LOCK ASSEMBLY (TAIL GATE)				
55	BV79B-79C	R. H.	BA 5943150-A	1
55	BV79B-79C	L. H.	BA 5943151-A	1
55	BV79B-79C	Screw and Washer assembly (oval hd. cross rec.)-No. 12-24 x 1/2"	50698-S8	8
Group 43152 SHIM (TAIL GATE LOCK STRIKER PLATE)				
55	BV79B-79C	Cotton Drill or Steel & Asbestos-with (2) 11/32" dia. holes	B5A 5943152-A	2
Group 43154 SEAL (TAIL GATE LOCK ACCESS COVER)				
55	BV79B-79C	NS Rubber-approximately 2-3/4" x 3" with 25/32" dia. hole-Make locally	BF 5943154-A	1
Group 43170 CONTROL ASSEMBLY (TAIL GATE LOCK REMOTE)				
55	BV79B-79C		BA 5943170-A	1
55	BV79B-79C	Screw and Washer assy (pan hd. cr. rec.)-No. 12-24 x 3/8"	50805-S8	4
Group 43172-3 LINK (TAIL GATE LOCK REMOTE CONTROL)				
55	BV79B-79C	R. H. -approximate length 23-3/32"	B5A 5943172-A	1
55	BV79B-79C	L. H. -approximate length 20-55/64"	B5A 5943173-A	1
Group 43174-5 CLIP (TAIL GATE LOCK REMOTE CONTROL LINK)-OUTER				
55	BV79B-79C	R. H.	BA 5943174-A	1
55	BV79B-79C	L. H.	BA 5943175-A	1
Group 43185 CLIP (TAIL GATE LOCK REMOTE CONTROL LINK)-INNER				
55	BV79B-79C	Steel	BA 5943185-A	2
Group 43200 LOCK ASSEMBLY (LUGGAGE COMPARTMENT DOOR)				
55	BV except 79B-79C		B5A 7043200-A	1
55	BV except 79B-79C	Screw and Washer assy (hex head)-1/4"-20 x 5/8"	43263-S8	3
Group 43226 LINK (LUGGAGE COMPARTMENT DOOR LOCK ACTUATING)-UPPER				
55	BV except 79B-79C	Steel wire-approximate length 2-45/64"	BV 7043226-B	1
55	BV except 79B-79C	Stud Fastener	358595-S7	1
Group 43227 LINK (LUGGAGE COMPARTMENT DOOR LOCK ACTUATING)-LOWER				
55	BV except 79B-79C	Steel Wire-approximate length 3-1/16"	B5A 7043227-B	1

MERCURY

BODY PARTS CATALOGUE

YEAR 19	BODY TYPES	REMARKS	PART NUMBER	NO. REQ'D
Group 43252 PLATE (LUGGAGE COMPARTMENT DOOR LOCK STRIKER)				
55	BV except 79B-79C	Steel-Zinc Plated-approximately 1-5/8" x 2-3/16" with (2) slot holes 11/32" x 21/32"	B5A 7043252-C	1
55	BV except 79B-79C	Screw and Washer assy (hex hd)-5/16"-24 x 7/8"	43264-S8	2



*PARTS INCLUDED IN 43400

PMB-24

LIFT GATE HANDLE (BODY TYPE 79)

Group numbers only shown on illustration. Order by Part Numbers shown in list of parts.

Group 43400 HANDLE ASSEMBLY (LIFT GATE)-OUTSIDE				
55	BV79B-79C		B5A 5943400-A	1
55	BV79B-79C	Screw and Washer Assy (pan hd. cr. rec.)-No. 12-24 x 7/8"	50834-S8	2
Group 43431 CYLINDER ASSEMBLY (LIFT GATE)-WITH KEYS				
55	BV79B-79C		BC 7943431-A	1
Group 43436 EXTENSION (LIFT GATE LOCK CYLINDER)				
55	BV79B-79C	Die Casting-approximate length 1"	B5A 5943436-B	1
Group 43440 BUTTON AND GUIDE ASSEMBLY (LIFTGATE OUTSIDE HANDLE)				
55	BV79B-79C		B5A 5943440-A	1

MERCURY

BODY PARTS CATALOGUE

YEAR 19	BODY TYPES	REMARKS	PART NUMBER	NO. REQ'D
Group 43445 SPRING (LIFT GATE OUTSIDE HANDLE BUTTON)				
55	BV79B-79C	Assembled length 1-1/2" free length 1-7/8"-12 coils	B5A 5943445-A	1
Group 43446 COVER (LIFT GATE LOCK CYLINDER KEY HOLE)				
55	BV79B-79C	Chrome Finish-Zinc Die Casting	B5A 5943446-A	1
Group 43500 HANDLE ASSEMBLY (LUGGAGE COMPARTMENT DOOR)				
55	BV except 79C	Chrome Finish	BV 7043500-A	1
55	BV except 79C	Nut (hex cold punched)-No. 10-24	34053-S8	3
55	BV except 79C	Washer (light spring lock)-No. 10	34823-S7	3
55	BV except 79C	Washer (flat)-No. 10	44716-S8	3
55	BV except 79C	Washer (flat)-sealer	356499-S	3
Group 43500 ORNAMENT ASSEMBLY (TAIL GATE)				
55	BV79C	Chrome Finish	BV 7943500-B	1
55	BV73C	Nut (cold punched)-No. 10-24	34053-S8	2
55	BV73C	Washer (light spring lock)-No. 10	34823-S7	2
55	BV73C	Washer (flat)-No. 10	44716-S8	2
Group 43505 CYLINDER ASSEMBLY (LUGGAGE COMPARTMENT LOCK)-WITH KEYS				
55	BV except 79B-79C		BC 7043505-B	1
Group 43516 COVER ASSEMBLY (LUGGAGE COMPARTMENT DOOR LOCK)-KEYHOLE				
55	BV	Chrome Finish-Zinc Die Casting	B5A 7343516-A	1
Group 43530 MOULDING ASSEMBLY (LUGGAGE COMPARTMENT DOOR HANDLE)				
55	BV except 79C	Chrome Finish	BV 7043530-B	1
55	BV except 79C	Nut (hex cold punched)-No. 10-24	34053-S8	4
55	BV except 79C	Washer (light spring lock)-No. 10	34823-S7	4
55	BV except 79C	Washer (flat)-No. 10	44716-S8	4
55	BV except 79C	Washer (flat)-sealer	356499-S	4
Group 43530 MOULDING ASSEMBLY (TAIL GATE ORNAMENT)				
55	BV79C	Chrome Finish	BV 7943530-A	1
Group 43562 KEY BLANK (LUGGAGE COMPARTMENT DOOR LOCK)				
55	BV except 79B-79C	Nickle Plated-(Also used in Glove Compartment)	BC 7043562-A	1
Group 43564 RETAINER (MEDALLION-LUGGAGE COMPARTMENT DOOR AND TAIL GATE HANDLE)				
55	BV	Steel-2-1/8" dia. with 3 tabs.	BV 7043564-A	1
Group 43565 SPACER (LUGGAGE COMPARTMENT DOOR LOCK CYLINDER)				
55	BV except 79B-79C	Zinc Die Casting-approximately 1-13/64" x 1-29/64" with 19/64" dia. hole	B5A 7343565-A	1

MERCURY

BODY PARTS CATALOGUE

YEAR 19__	BODY TYPES	REMARKS	PART NUMBER	NO. REQ'D
Group 43567 SPRING (LUGGAGE COMPARTMENT DOOR LOCK KEY HOLE COVER)				
55	BV except 79B-79C	Music Wire-10-1/2" coils R. H. Wound 13/16" free length	B5A 7043567-A	1
Group 43603 SLEEVE ASSEMBLY (LUGGAGE COMPARTMENT DOOR LOCK CYLINDER)				
55	BV except 79B-79C		B5A 7043603-A	1
55	BV except 79B-79C	Nut (hex)-13/16"-16	356164-S8	1
55	BV except 79B-79C	Pad	B5A 7043625-B	1
55	BV except 79B-79C	Spacer	B5A 7343565-A	1
55	BV except 79B-79C	Stud (fastener)	358595-S7	1
55	BV except 79B-79C	Washer	351548-S8	1
Group 43625 PAD (LUGGAGE COMPARTMENT DOOR LOCK CYLINDER SLEEVE)				
55	BV except 79B-79C	Rubber or Vinyl	B5A 7043625-B	1
Group 43706 WEATHERSTRIP ASSEMBLY (LIFT GATE)				
55	BV79B-79C	Rubber-Located on body rear opening top and sides	B5A 5943706-B	1
Group 43720 WEATHERSTRIP (LUGGAGE COMPARTMENT DOOR)				
55	BV except 79B-79C	Rubber-approximate length 172-1/2"	BV 7043720-A	1
Group 43726 WEATHERSTRIP (TAIL GATE)-BOTTOM OUTER				
55	BV79B-79C	Rubber-approximate length	B5A 5943726-A	1
Group 43732 RETAINER (TAIL GATE BOTTOM OUTER WEATHERSTRIP)				
55	BV79B-79C	Approximate length 45-45/64"	B5A 5943732-AP	1
55	BV79B-79C	Screw (pan hd cross rec. self tap.)-No. 10-12 x 3/8"	52721-S8	6
Group 43734 STRIP (HOOD FRONT FLANGE BREAKER)				
55	BV	Vinyl-Black (cut to size)	8A 7043734	as req'd
Group 44400-1 SUPPORT ASSEMBLY (TAIL GATE)				
55	BV79B-79C	R. H.	B5A 5944400-A	1
55	BV79B-79C	L. H.	B5A 5944401-A	1
55	BV79B-79C	Screw and Washer Assy (flat hd. cr. rec.)-5/16"-24 x 3/4" to Pillar	357371-S8	4
55	BV79B-79C	Bolt (hex-hd)-5/16"-24 x 3/4" to Tail Gate	20347-S8	4
55	BV79B-79C	Washer (spring lock)-5/16" to Tail Gate	34806-S7	4
Group 44432 STRIP (TAIL GATE SKID)				
55	BV79B-79C	Rustless Steel-approximately 23/32" x 11-27/32"	B5A 5944432-B	4
55	BV79B-79C	Bolt (flat-head cr. rec.)-1/4"-20 x 5/8"	351774-S8	8
55	BV79B-79C	Nut (clinch)-1/4"-20	34244-S	8

MERCURY

BODY PARTS CATALOGUE

YEAR 19	BODY TYPES	REMARKS	PART NUMBER	NO. REQ'D
Group 44435 HANDLE (TAIL GATE LATCH)				
55	BV79B-79C	Chrome Finish-Zinc Die Cast	BA 5944435-A	1
55	BV79B-79C	Screw (flat hd, cr. rec.)-No. 8-32 x 1/2"	50012-S8	1
Group 45100-1 TROUGH ASSEMBLY (LUGGAGE COMPARTMENT DOOR OPENING DRAIN-SIDE)				
55	BV except 79B-79C	R. H.-Steel-Includes Bracket (luggage compartment door bumper)	BV 7045100-A	1
55	BV except 79B-79C	L. H.-Steel-Includes Bracket (luggage compartment door bumper)	BV 7045101-A	1
55	BV except 79B-79C	Bumper (rubber head)-55/64" diameter	BD 16754-A	2
55	BV except 79B-79C	Nut (hexagon jam)-3/8"-24	34145-S8	2
Group 45416-7 LININGBOARD (LUGGAGE COMPARTMENT SIDE)				
55	BV58A	R. H.	BV 5845416-AA	1
55	BV58A	L. H.	BV 5845417-AA	1
55	BV60B-60E-64A-64B	R. H.	BV 6045416-AA	1
55	BV60B-60E-64A-64B	L. H.	BV 6045417-AA	1
55	BV70B-73B-73C	R. H.	BV 7045416-CA	1
55	BV70B-73B-73C	L. H.	BV 7045417-CA	1
55	BV76B	R. H.	BV 7645416-AA	1
55	BV76B	L. H.	BV 7645417-AA	1
55	BV70B-73B-73C	Clip-clips over liningboard and package tray to floor pan strainer	358407-S2	2
55	BV except 79B-79C	Clip-left side only-attach to top of liningboard then snap over Tube Assy-Fuel Vent upper	358472-S3	1
55	BV except 79B-79C	Retainer	BV 7045434-A	1
55	BV except 79B-79C	Screw (hex hd)-No. 14-10 x 5/8"	31490-S7	3
55	BV except 79B-79C	Washer (flat)-1/4"	44720-S8	3
Group 45434 RETAINER (LUGGAGE COMPARTMENT SIDE LININGBOARD)				
55	BV except 79B-79C	Steel-31/64" x 1-11/32"	BV 7045434-A	2or4
Group 45443 LININGBOARD ASSEMBLY (LUGGAGE COMPARTMENT)-FRONT				
55	BV58A		BV 5845443-BA	1
55	BV60B-60E-64A-64B		BV 6045443-BA	1
55	BV70B-73B-73C		BV 7045443-DA	1
55	BV76B		BV 7645443-BA	1
Group 45452 RETAINER (LUGGAGE COMPARTMENT FRONT LININGBOARD)				
55	BV58A		BV 5845452-A	6
Group 45455 COVER (LUGGAGE COMPARTMENT FLOOR)				
55	BV except 79B-79C	Vinyl Coated Jute - Gray Basket Weave	BV 7045455-AA	1
Group 45474 COVER (LUGGAGE COMPARTMENT FLOOR)-RIGHT SIDE				
55	BV except 79B-79C	Vinyl Coated Jute - Gray	BV 7045474-AA	1
Group 45489 COVER (LUGGAGE COMPARTMENT FUEL FILLER HOUSING)				
55	BV except 79B-79C	Vinyl Coated Jute - Gray	BV 7045489-AA	1

MERCURY

BODY PARTS CATALOGUE

YEAR 19____	BODY TYPES	REMARKS	PART NUMBER	NO. REQ'D
Group 45806 PANEL ASSEMBLY (SPARE TIREWELL)-LESS COVER				
55	BV79B-79C		B5A 7945806-AP	1
Group 45844 CATCH (SPARE TIREWELL COVER HOLD DOWN)				
55	BV79B-79C		BA 5945844-A	1
55	BV79B-79C	Screw (pan hd. cr. rec.)-No. 8-15 x 1/2"	52726-S2	2
Group 46506 PANEL ASSEMBLY (PACKAGE TRAY)				
55	BV58A		BV 5846506-C	1
55	BV58A	NS-Used with Air Conditioner-Make from BV-5846506-A by drilling (4) 1/4" dia. hole	BV 5846506-D	1
55	BV60B-60E	Steel-approximately 56-1/4"-Rework for Air Conditioner by drilling (4)-1/4" dia. holes	B5A 6046506-A	1
55	BV64A-64B	Steel approximately 56-1/4"-Rework for Air Conditioner by drilling (4)-1/4" dia. holes	B5A 6446506-A	1
55	BV70B-73B-73C	Steel-Die Cast-approximately 55-3/16"-Rework for Air Conditioner by drilling (4)-1/4" dia. holes	B5A 7046506-A	1
		Attach to Grille Air Conditioner Air Intake (19744 & 6)-with the following:		
55	BV except 76B-79B-79C	Nut (wing)-No. 8-32	33891-S8	8
		Attach to Lever & Bracket Assy-Air Conditioner Outside Air Intake Control (19839)-with the following:		
55	BV except 76B-79B-79C	Nut (hex)-No. 10-32	34079-S7	4
55	BV except 76B-79B-79C	Washer (lock)-No. 10	34803-S7	4
		Attach to Connector-Air Conditioner Package Tray Duct-(19800)-with the following:		
55	BV64B	Nut (cold punched hex)-No. 8-32	34052-S8	6
55	BV64B	Washer (flat)	44710-S8	6
Group 46608-9 BRACKET (PACKAGE TRAY STRAINER TO WHEELHOUSE)				
55	BV60B-60E-64A-64B	R. H. -Steel-approximate length outer edge 16-1/2"	B5A 6046608-A	1
55	BV60B-60E-64A-64B	L. H. -Steel-approximate length outer edge 16-1/2"	B5A 6046609-A	1
55	BV58A-70B-73B-73C	R. H. -Steel-approximate length outer edge 18-1/2"	B5A 7046608-A	1
55	BV58A-70B-73B-73C	L. H. -Steel-approximate length outer edge 18-1/2"	B5A 7046609-A	1
55	BV76B	NS-Make Locally R. H. -Steel-approximate length outer edge 5-1/2"	B5A 7646608-A	1
55	BV76B	NS-Make Locally-L. H. -Steel-approximate length outer edge 5-1/2"	B5A 7646609-A	1
Group 46610 STRAINER (PACKAGE TRAY TO FLOOR)				
55	BV58A	R. H. -Steel	BV 5846610-A	1
55	BV58A	L. H. -Steel	BV 5846611-A	1
55	BV60B-60E	R. H. -Steel	B5A 6046610-A	1
55	BV60B-60E	L. H. -Steel	B5A 6046611-A	1
55	BV64A-64B	R. H. -Steel	B5A 6446610-A	1
55	BV64A-64B	L. H. -Steel	B5A 6446611-A	1
55	BV76B	R. H. -Steel	B5A 7646610-A	1
55	BV76B	L. H. -Steel	B5A 7646611-A	1

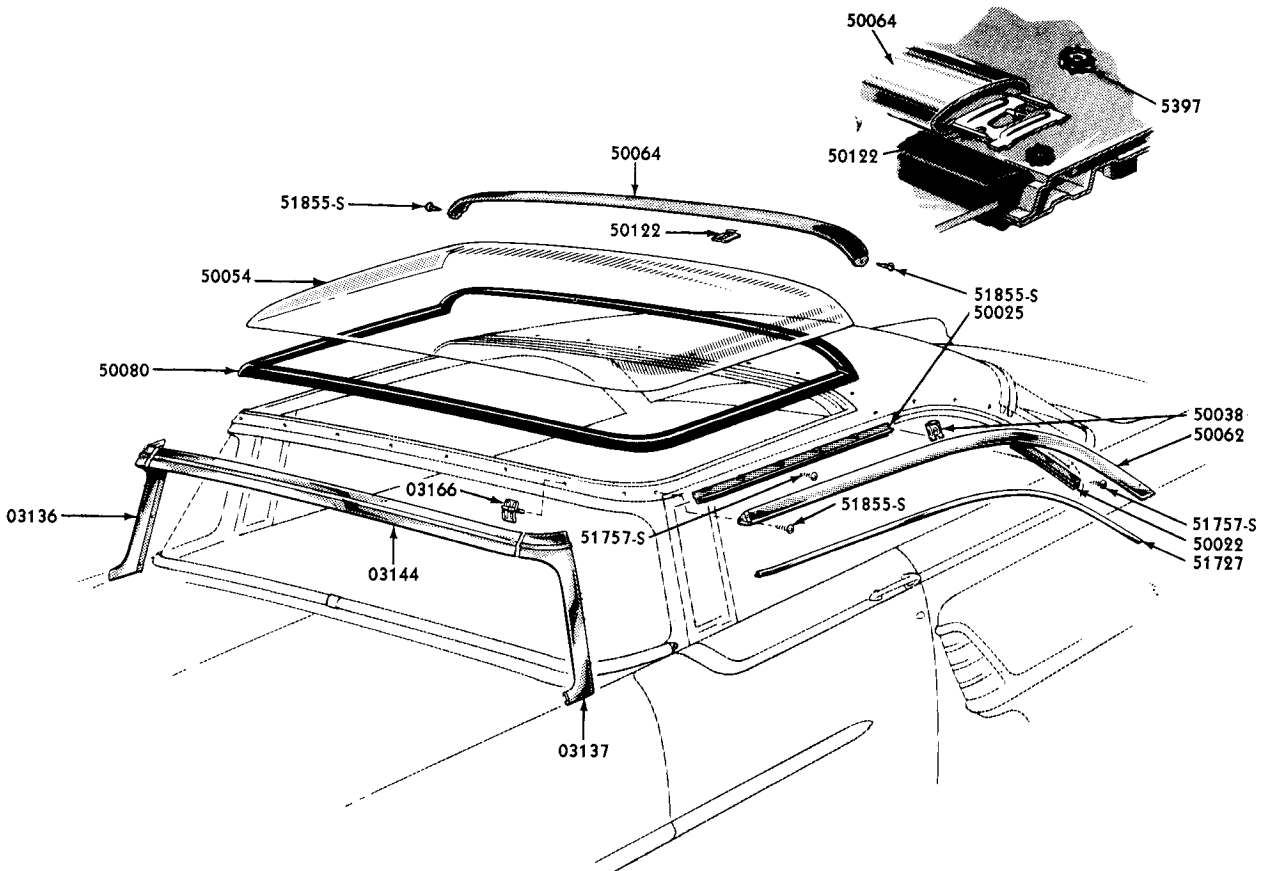
MERCURY

BODY PARTS CATALOGUE

YEAR 19____	BODY TYPES	REMARKS	PART NUMBER	NO. REQ'D
Group 46663 INSULATOR ASSEMBLY (PACKAGE TRAY)				
55	BV60B-60E-64A-64B	Used with Air Conditioner-Aluminum Foil faced Glass Fiber-approximately 58" with (2) 5-5/16" dia. holes and (2) 5-35/64" x 6-61/64" holes	BV 6046663-B	1
55	BV58A-70B-73B-73C	Used with Air Conditioner-Aluminum Foil Faced Glass Fiber-approximately 57-13/32" with (2) 4-31/32" dia. holes and (2) 5-35/64" x 15/16" holes	BV 7046663-C	1
Group 46694-5 INSULATOR ASSEMBLY (PACKAGE TRAY TO FLOOR)				
55	BV58A-64A-64B	R. H. -Used with Air Conditioner-For Service use BV-7046694-A cut to size	BV 6446694-A	1
55	BV58A-64A-64B	L. H. -Used with Air Conditioner-For Service use BV-7046694-A cut to size	BV 6446695-A	1
55	BV60B-60E-70B-73B-73C	Used with Air Conditioner	BV 7046694-A	1
Group 46698 RETAINER (PACKAGE TRAY TRIM)				
55	BV except 76B-79B-79C	Steel	BN 7046698-AP	2or4
Group 47166 HINGE ASSEMBLY (SPARE TIREWELL PANEL)				
55	BV79B-79C	Approximately length 41-1/2"	B5A 7947166-BP	1
Group 50022 RETAINER (ROOF OUTSIDE SIDE MOULDING)-REAR				
55	BV64A-64B	Steel-Zinc Plated-approximate length 11-1/4" with (3) 1/4" dia. holes	B5A 6450022-A	2
55	BV64A-64B	Screw (pan hd cr. rec. tap.)-No. 10-24 x 3/8"	51757-S8	3
Group 50024-5 RETAINER (ROOF OUTSIDE SIDE MOULDING)-FRONT				
55	BV64B	R. H. -Steel Zinc Plated-approximate length 31-1/8" with (6) holes 1/4" dia.	BV 6450024-A	1
55	BV64B	L. H. -Steel Zinc Plated-approximate length 31-1/8" with (6) holes 1/4" dia.	BV 6450025-A	1
55	BV64B	Screw (pan hd cr. rec. tap.)-No. 10-24 x 3/8"	51757-S8	6
Group 50030 RETAINER ASSEMBLY (ROOF OUTSIDE REAR MOULDING)				
55	BV58A-60B-64A-64B-73C	Alternate with BV-7350030-B	BV 7350030-A	10or14
55	BV58A-60B-64A-64B-73C	Alternate with BV-7350030-A	BV 7350030-B	10or14
Group 50038 RETAINER (ROOF OUTSIDE SIDE MOULDING)				
55	BV58A-64A-64B	Zinc Plate-approximately 1" x 1-11/32"	B5A 6450038-A	18or12

MERCURY

BODY PARTS CATALOGUE

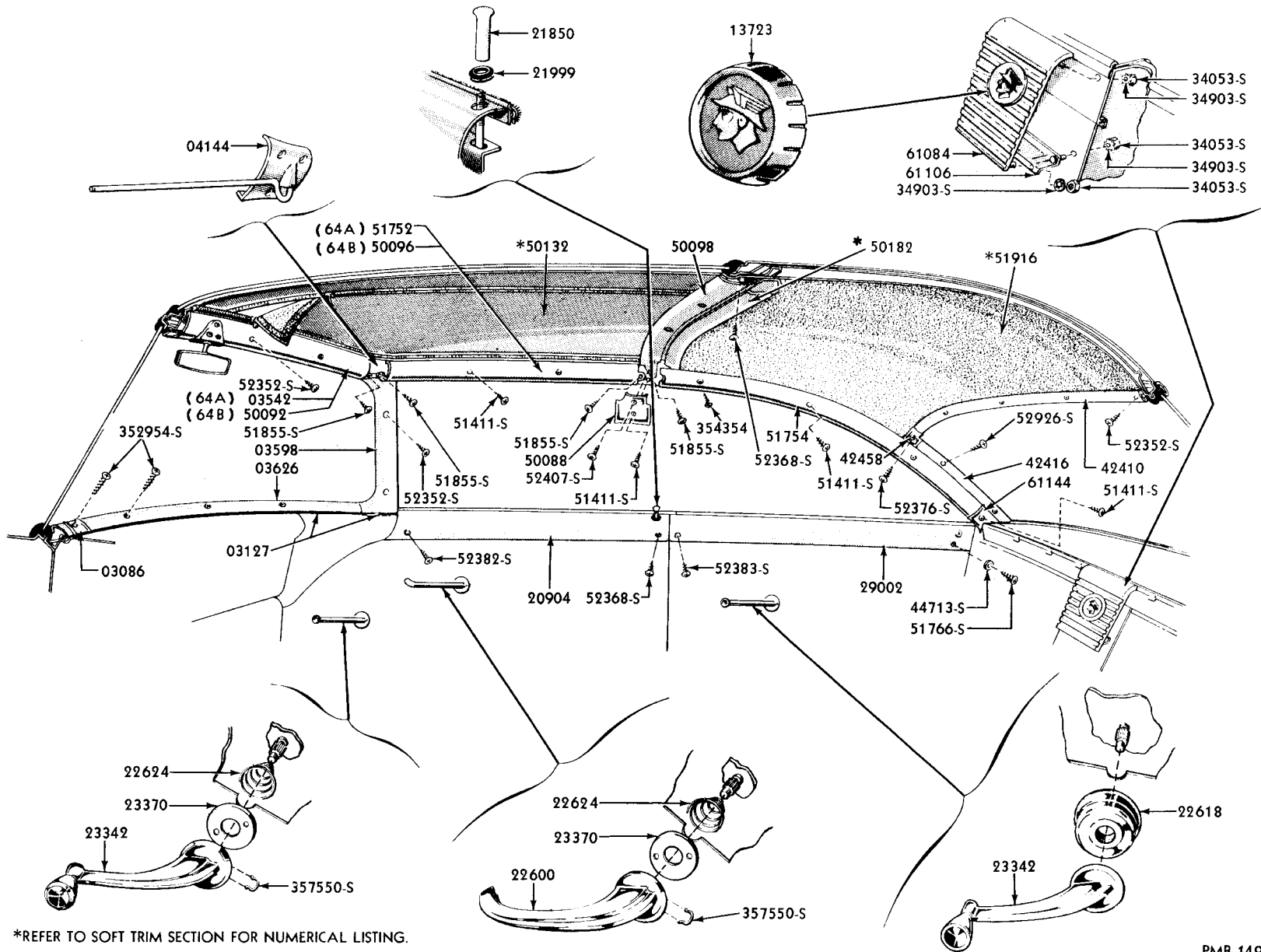


PMB-59

GLASS TOP EXTERIOR VIEW (BODY TYPE (64B))

Group numbers only shown on illustration. Order by Part Numbers shown in list of parts.

PART NUMBER	CLASS	PART NAME	NO. REQ'D	MODEL	YEAR
Group 50044 MOULDING (ROOF OUTSIDE)-REAR					
55	BV58A	Rustless Steel-approximately 1-1/16" x 55-35/64" across ends		BV 5850044-A	1
55	BV60B	Rustless Steel-approximately 1-3/64" x 58-9/64" across ends		BV 6050044-A	1
55	BV64A-64B	Rustless Steel-approximately 1-3/64" x 55-5/8" across ends		BV 6450044-A	1
55	BV73C	Rustless Steel-approximately 1-3/64" x 57-13/64" across ends		BV 7350044-A	1
55	BV58A-60B-64A-64B-73C	Nut and Washer Assy (No. 10-24)		354397-S100	as req'd
55	BV58A-60B-64A-64B-73C	Retainer		BV 7350030-A	as req'd
55	BV60B-73C	Screw (pan hd cr. rec. tap.)-No. 8-15 x 1/2"		52726-S2	2
55	BV60B-73C	Sealer (synthetic resin plastic)		M 5397-B	as req'd
Group 50054 GLASS (ROOF)					
55	BV64B	Plastic Acrylic Resin (blue green)-approximately 36-15/16" x 51-9/16"		BV 6450054-A	1



*REFER TO SOFT TRIM SECTION FOR NUMERICAL LISTING.

PMB-149

INTERIOR MOULDINGS (BODY TYPE 64)

Group numbers only shown on illustration. Order by Part Numbers shown in list of parts.

MERCURY

BODY PARTS CATALOGUE

YEAR 19_____	BODY TYPES	REMARKS	PART NUMBER	NO. REQ'D
Group 50062-3 MOULDING (ROOF GLASS OUTSIDE)-SIDE				
55	BV58A	R. H. -Rustless Steel-approximately 1-21/32" x 63-1/8" with 3/16" dia. hole in flanged end	BV 5850062-A	1
55	BV58A	L. H. -Rustless Steel-approximately 1-21/32" x 63-1/8" with 3/16" dia. hole in flanged end	BV 5850063-A	1
55	BV64A-64B	R. H. -Rustless Steel-approximately 1-21/32" x 71-1/8"	BV 6450062-A	1
55	BV64A-64B	L. H. -Rustless Steel-approximately 1-21/32" x 71-1/8"	BV 6450063-A	1
55	BV64A-64B	Retainer (Rear)	BV 6450022-A	1
55	BV64B	Retainer (R. H. Front)	BV 6450024-A	1
55	BV64B	Retainer (L. H. Front)	BV 6450025-A	1
55	BV64A-64B	Retainer	B5A 6450038-A	8or4
55	BV64A-64B	Screw (pan hd cr. rec. tap.)-No. 10-24 x 3/8"	51757-S8	3or9
55	BV58A-64A-64B	Screw (pan hd. cr. rec. tap.)-No. 8-32 x 3/8"	51855-S8	2
55	BV58A-64A-64B	Synthetic Resin Plastic Sealer (bulk)	M 5397-B	as req'd
Group 50064 MOULDING (ROOF GLASS OUTSIDE)-REAR				
55	BV64B	Steel-Painted-approximately 1-9/16" x 53-3/4"	BV 6450064-A	1
55	BV64B	Retainer -alternate with BV-6450122-C	BV 6450112-A	8
55	BV64B	Retainer -alternate with BV-6450112-A	BV 6450122-C	8
55	BV64B	Screw (pan head cr. rec. tap.)-No. 8-32 x 3/8"	51855-S8	2
55	BV64B	Synthetic Resin Plastic Sealer (bulk)	M 5397-B	as req'd
Group 50080 WEATHERSTRIP ASSEMBLY (ROOF GLASS)				
55	BV64B	Rubber-Black	BV 6450080-A	1
Group 50088-9 COVER (ROOF GLASS GARNISH MOULDING)-REAR CORNER				
55	BV64B	R. H. -Chrome Finish	BV 6450088-A	1
55	BV64B	L. H. -Chrome Finish	BV 6450089-A	1
55	BV64B	Screw (oval hd. cr. rec. tap.)-No. 8-18 x 3/8"	52407-S13	2
55	BV64B	Screw (oval hd. cr. rec.)-No. 8-32 x 1-1/4"	51411-S13	2
Group 50092 MOULDING (GLASS GARNISH)-FRONT				
55	BV64B	Chrome Finish-approximately 3-1/16 x 27-7/32"-both ends flanged and having 1/4" x 3/8" slot hole	BV 6450092-A	1
55	BV64B	Screw (pan head cr. rec. tap.)-No. 8-32 x 3/8"	51855-S8	2
55	BV64B	Screw (pan head cr. rec. tap.)-No. 8-18 x 5/8"	52352-S13	4
Group 50096-7 MOULDING (ROOF GLASS GARNISH)-SIDE				
55	BV64B	R. H. -Chrome Finish-approximately 33-3/4" with both ends flanged and having 3/16" dia. hole	BV 6450096-A	1
55	BV64B	L. H. -Chrome Finish-approximately 33-3/4" with both ends flanged and having 3/16" dia. hole	BV 6450097-A	1
55	BV64B	Screw (pan hd. cr. rec. tap.)-No. 8-32 x 3/8"	51855-S8	4
55	BV64B	Screw (oval hd. cr. rec. tap.)-No. 8-32 x 1-1/4"	51411-S13	4

MERCURY

BODY PARTS CATALOGUE

YEAR 19____	BODY TYPES	REMARKS	PART NUMBER	NO. REQ'D
Group 50098 MOULDING (ROOF GLASS GARNISH)-REAR				
55	BV64B	In Prime	BV 6450098-AP	1
55	BV64B	Screw (oval head cr. rec. tap.)-No. 8-15 x 7/8"	52368-S23	5
55	BV64B	Screw (pan head cr. rec. tap.)-No. 8-32 x 3/8"	51855-S8	2
Group 50112 RETAINER ASSEMBLY (ROOF GLASS OUTSIDE REAR MOULDING)				
55	BV64B	Steel-approximately 49/64" x 1-21/64"	BV 6450112-A	1
Group 50122 RETAINER (ROOF GLASS OUTSIDE REAR MOULDING)				
55	BV64B	Alternate with BV-6450122-C	BV 6450122-A	8
55	BV64B	Alternate with BV-6450122-A	BV 6450122-C	8

Group 50200 PANEL ASSEMBLY (ROOF)

55	BV70B-73B-73C		B5A 7050200-A	1
55	BV79B-79C		B5A 5950200-A	1
55	BV70B-73B-73C-79B-79C	Synthetic Resin Plastic Sealer (bulk)	M 5397-A	as req'd

Group 50202 PANEL (ROOF)

55	BV58A		BV 5850202-A	1
55	BV60B-60E	Dealer to add back light moulding holes for 60B	BV 6050202-A	1
55	BV64A		BV 6450202-A	1
55	BV64B		BV 6450202-B	1
55	BV60B-60E-64A-64B	Synthetic Resin Plastic Sealer (bulk)	M 5397-A	as req'd

Group 50228 MEDALLION KIT (ROOF SIDE ORNAMENT)-OUTER

55	BV60B	Consists of the following: (1) BR 6050261-B Ring (1) BV 6050270-A Medallion (1) BR 6050292-A Retainer	MFK 6050228-B	2
55	BV60B		Screw (pan hd. cr. rec.)-No. 6-32 x 5/16"	352659-S8

Group 50244 REINFORCEMENT ASSEMBLY (ROOF PANEL CENTER)

55	BV64B		BV 6450244-A	1
----	-------	--	--------------	---

Group 50264-5 ORNAMENT ASSEMBLY (ROOF SIDE)-OUTER-LESS MEDALLION

55	BV60B	R. H. -Rustless Steel-with ten ridges-(2) 5/32" dia. holes in center depression	BV 6050264-A	1
55	BV60B	L. H. -Rustless Steel-with ten ridges-(2) 5/32" dia. holes in center depression	BV 6050265-A	1
55	BV60E	R. H. -Rustless Steel-with ten ridges	BV 6050264-B	1
55	BV60E	L. H. -Rustless Steel-with ten ridges	BV 6050265-B	1
55	BV60B-60E	Nut (cold punched)-No. 10-24	34053-S8	4
55	BV60B-60E	Washer (internal tooth lock)-No. 10	34903-S8	4
55	BV60B-60E	Washer (flat)-3/16" x 1/2"	356479-S	4
55	BV60B-60E	Washer (flat)-No. 10	44716-S8	4

MERCURY

BODY PARTS CATALOGUE

YEAR 19__	BODY TYPES	REMARKS	PART NUMBER	NO. REQ'D
Group 50268 SEAL (MOULDING ROOF OUTSIDE REAR)				
55	BV58A-60B-73C	Plastic	1A 6050268	14or12
Group 50316-7 LINK ASSEMBLY (FOLDING TOP CONTROL)				
55	BV76B	R. H. -Chrome Finish	BV 7650316-A	1
55	BV76B	L. H. -Chrome Finish	BV 7650317-A	1
		Attach to Rail Assy Folding Top Rear Side (53196-7)-with following:		
55	BV76B	Pin 27/64 x 1-1/64"	357412-S13	2
55	BV76B	Pin (cotter)-3/32" x 5/8"	72009-S	2
55	BV76B	Washer (flat)-7/16" x 3/4"	356214-S8	2
55	BV76B	Washer (spring three wave)-29/64" I. D. x 3/4" O. D.	8M 7653211	2
Group 50340-1 SLAT (FOLDING TOP REAR BOW NO. 4)				
55	BV76B	R. H. -Chrome Finish	BV 7650340-A	1
55	BV76B	L. H. -Chrome Finish	BV 7650341-A	1
Group 50348-A COVER (FOLDING TOP NO. 1 BOW OUTSIDE MOULDING JOINT)				
55	BV76B	Rustless Steel-approximately 31/32" x 2-7/32"-Used with 2 piece design Moulding	B5A 7650348-A	1
Group 50356-7 LINK ASSEMBLY (FOLDING TOP LOWER POWER)				
55	BV76B	R. H. -Chrome Finish	BV 7650356-A	1
55	BV76B	L. H. -Chrome Finish	BV 7650357-A	1
		Attach To Bracket Assy Folding Top Main Pivot (53118-9) with following:		
55	BV76B	Pin (clevis)-7/16" x 1-31/32"	357429-S13	2
55	BV76B	Pin (cotter)-3/32" x 5/8"	72009-S	2
55	BV76B	Washer (flat)-7/16" x 3/4"	356214-S8	2
		Attach Through Hydraulic Lift to Link Folding Top Upper Power (50370-1)-with following:		
55	BV76B	Pin (clevis)-3/8" x 1-5/8"	354318-S13	2
55	BV76B	Pin (self locking)	352358-S7	2
55	BV76B	Washer (flat)-3/8"	44726-S8	2
55	BV76B	Washer (spring three wave)-5/8" O. D. x 25/64" I. D.	8M 7653210	2
Group 50363 RETAINER ASSEMBLY (FOLDING TOP NO. 1 BOW OUTSIDE MOULDING CENTER)				
55	BV76B	Steel-approximately 1-9/32" x 2-3/32"	B5A 7650363-A	10
Group 50370-1 LINK (FOLDING TOP UPPER POWER)				
55	BV76B	R. H. -Chrome Finish	BV 7650370-A	1
55	BV76B	L. H. -Chrome Finish	BV 7650371-A	1
		Attach To Folding Top Rear Side Rail (53196-7)-with following:		
55	BV76B	Bushing	B5A 7650472-A	4

MERCURY

BODY PARTS CATALOGUE

YEAR 19	BODY TYPES	REMARKS	PART NUMBER	NO. REQ'D
Group 50450-1 BRACKET ASSEMBLY (FOLDING TOP BALANCE LINK PIVOT)				
55	BV76B	R. H.	BD 7650450-B	1
55	BV76B	L. H.	BD 7650451-B	1
55	BV76B	Bolt (hex hd pointed)-5/16"-24 x 7/8"	20367-S8	6
Group 50454-5 LINK (FOLDING TOP BALANCE)				
55	BV76B	R. H. -Chrome Finish-approximate length 19-1/2"	BV 7650454-A	1
55	BV76B	L. H. -Chrome Finish-approximate length 19-1/2"	BV 7650455-A	1
		Attach To Rail Assy Folding Top Center Side (51154-5) with following:		
55	BV76B	Pin (oval head)-7/16" x 15/16"	354322-S13	2
55	BV76B	Pin (roll)-1/8" x 3/4"	352146-S	2
55	BV76B	Washer (spring)-29/64" I. D. x 3/4" O. D.	8M 7653211	2
		Attach To Bracket Assy Folding Top Balance Link Lower Pivot (50450-1)-with following:		
55	BV76B	Pin (cotter)-3/32" x 5/8"	72009-S8	2
55	BV76B	Washer (flat)-7/16"	356214-S8	2
Group 50472 BUSHING (FOLDING TOP POWER LINK TO SIDE RAIL)				
55	BV76B	Nylon-approximate I. D. 7/16" x 1" O. D.	B5A 7650472-A	4
Group 50474 BUSHING (FOLDING TOP CONTROL LINK TO SIDE RAIL)				
55	BV76B	Nylon Plastic-approximately 19/64" I. D. x 3/4" O. D.	B5A 7650474-A	4
Group 50478-9 BRACKET (FOLDING TOP BALANCE LINK ADJUSTING)				
55	BV76B	R. H. -Malleable Iron	B5A 7650478-A	1
55	BV76B	L. H. -Malleable Iron	B5A 7650479-A	1
55	BV76B	Bolt (hex head)-5/16"-24 x 7/8"	20367-S8	6
55	BV76B	Washer (spring lock)-5/16"	34826-S7	6
55	BV76B	Washer (flat)-5/16"	44724-S8	6
Group 50490 SCREW (FOLDING TOP BALANCE LINK HORIZONTAL ADJUSTING)				
55	BV76B	Hex Head Set-5/16"-24 R. H. thread on one end and 5/16"-24- L. H. thread on Socket end x 1-11/32" long	BD 7650490-A	2
Group 50491 SCREW (FOLDING TOP BALANCE LINK VERTICAL ADJUSTING)				
55	BV76B	Hex Head Set-3/8"-24 R. H. thread on one end and 3/8"-24 L. H. thread on Socket end x 1-45/64" long	BD 7650491-A	2
Group 50508 CLAMP ASSEMBLY (ROOF HOLD DOWN)				
55	BV76B	Attach To Header Bow (53038)-with following:	B5A 7650508-A	2
55	BV76B	Nut (plain)-No. 8-32	34126-S	2
55	BV76B	Screw & Washer Assy (oval hd. cr. rec.)-No. 8-32 x 1/2"	50696-S7	2
55	BV76B	Screw & Washer Assy (oval hd. cr. rec.)-No. 8-32 x 3/8"	50692-S13	4

MERCURY

BODY PARTS CATALOGUE

YEAR 19____	BODY TYPES	REMARKS	PART NUMBER	NO. REQ'D
Group 50530 PLATE (ROOF HOLD DOWN CLAMP LATCH)				
55	BV76B	Chrome Finish-approximately 1-7/16" x 2-3/4"	B5A 7650530-A	2
Group 50600 LIFT ASSEMBLY (FOLDING TOP)				
55	BV76B	Attach To Bracket Top Lift To Floor (50804-5) and Upper and Lower Power Links with the following:	B5A 7650600-A	2
55	BV76B	Bushing	352477-S8	4
55	BV76B	Grommet	352984-S	4
55	BV76B	Pin (clevis)-3/8" x 1-5/8"	354318-S13	2
55	BV76B	Pin (clevis)-3/8"	76073-S8	2
55	BV76B	Pin (Self Locking)	352358-S7	2
55	BV76B	Washer (flat)-3/8"	44726-S8	6
55	BV76B	Washer (spring three wave)-5/8" O.D. x 25/64" I.D.	8M 7653210	4
Group 50696 ELBOW (FOLDING TOP INVERTED FLARED TUBE)				
55	BV76B	Brass-Used with Hydraulic Top Lift	BF 7650696-A	2
Group 50754 STRAP ASSEMBLY (FOLDING TOP LIFT MOTOR MOUNTING)				
55	BV76B	Used with Hydraulic Top Lift	BF 7650754-A	1
Group 50804-5 BRACKET (TOP LIFT TO FLOOR)				
55	BV76B	R. H. -Malleable Iron-Used with Hydraulic Top Lift	B5A 7650804-A	1
55	BV76B	L. H. -Malleable Iron-Used with Hydraulic Top Lift	B5A 7650805-A	1
Attach To Brace Assy-Quarter Lock Pillar to Floor (28198-9) with following				
55	BV76B	Bolt (hex hd)-5/16"-24 x 7/8"	20367-S8	4
55	BV76B	Washer (flat)-5/16"	44724-S8	4
55	BV76B	Washer (spring lock)	34806-S7	4
Attach to Pan Assy-Front Floor (11135)-with following:				
55	BV76B	Nut (hex)-5/16"-24	33798-S8	4
55	BV76B	Washer (flat)-5/16"	44724-S8	4
55	BV76B	Washer (spring lock)-5/16"	34806-S7	4
Group 50816 RETAINER ASSEMBLY (TOP LIFT TO FLOOR BRACKET)				
55	BV76B		B5A 7650816-A	4
Group 50952-3 STRIP (ROOF HEADLINING RETAINING)-FRONT				
55	BV58A	Asphalt Board	BV 5850952-A	2
55	BV60E	R. H. -Steel-approximately 33-1/4" long with 44 tabs and 2 slots 1/4" x 1/2"	B5A 6050952-B	1
55	BV60E	L. H. -Steel-approximately 33-1/4" long with 44 tabs and 2 slots 1/4" x 1/2"	B5A 6050953-B	1
55	BV70B-73B-73C-79B-79C	R. H. -Steel-approximately 1-29/64" wide with 33 tabs and 2 slots 1/4" x 1/2"	B5A 7050952-B	1
55	BV70B-73B-73C-79B-79C	L. H. -Steel-approximately 1-29/64" wide with 33 tabs and 2 slots 1/4" x 1/2"	B5A 7050953-B	1
55	BV60E-70B-73B-73C-79B-79C	Retainer	B5A 7020918-A	as req'd

MERCURY

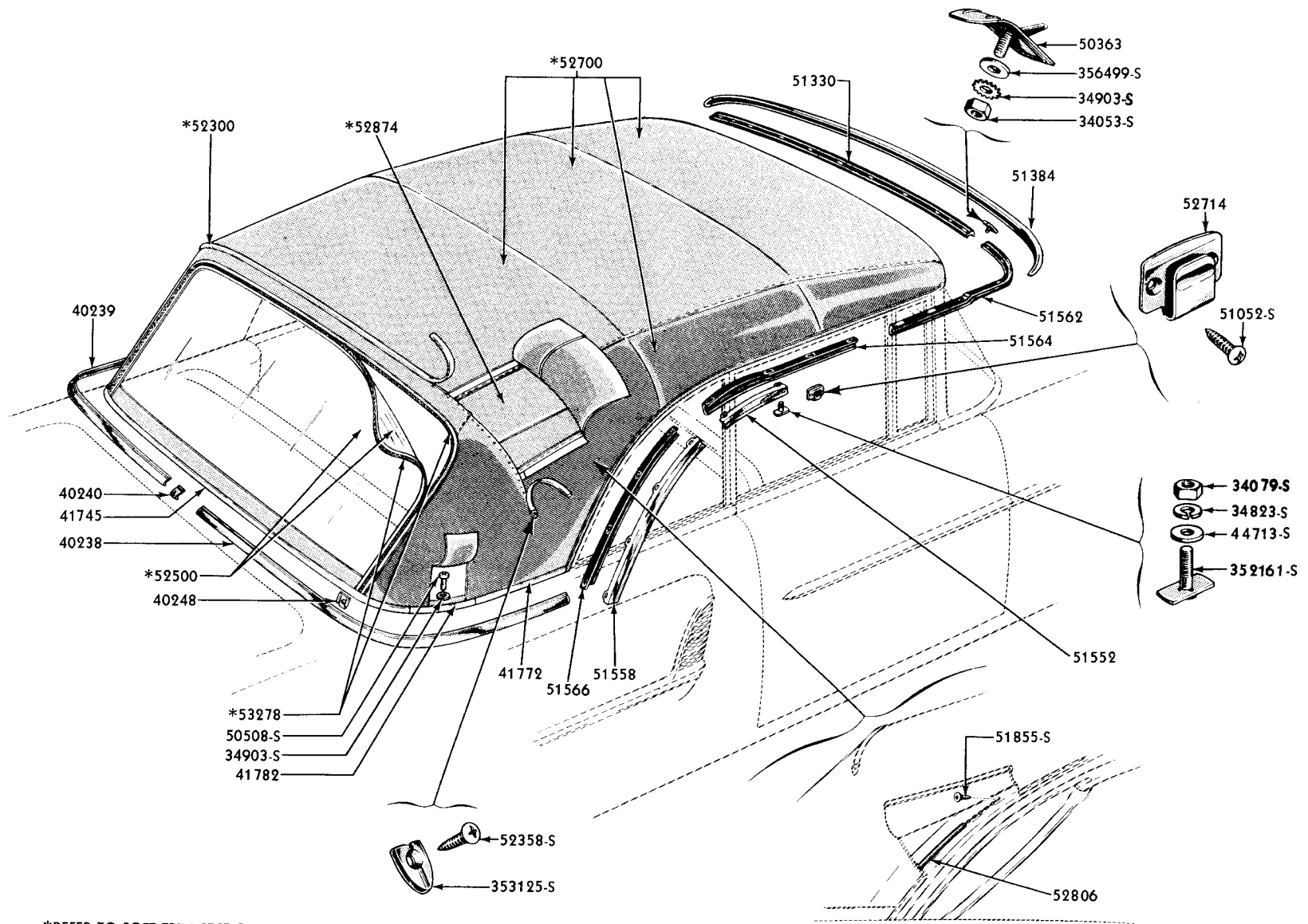
BODY PARTS CATALOGUE

YEAR 19____	BODY TYPES	REMARKS	PART NUMBER	NO. REQ'D
Group 50954-5 STRIP (ROOF HEADLINING RETAINING CENTER)-SIDE				
55	BV73B-73C	R. H. -Steel-approximately 26-1/4"	B5A 7350954-A	1
55	BV73B-73C	L. H. -Steel-approximately 26-1/4"	B5A 7350955-A	1
55	BV79B-79C	R. H. -Steel-approximately 35-29/32"	B5A 7950954-B	1
55	BV79B-79C	L. H. -Steel-approximately 35-29/32"	B5A 7950955-B	1
55	BV73B-73C-79B-79C	Retainer	B5A 7020918-A	as req'd
Group 50956-7 STRIP (ROOF HEADLINING RETAINING)-REAR				
55	BV58A	Asphalt Board	BV 5850956-A	2
55	BV60B	Cardboard-developed length 25-3/4" with 7 holes 3/16" x 3/8"	BV 6050956-A	2
55	BV60E	R. H. -Steel-1-17/32" wide with 39 tabs and 8 slots	B5A 6050956-A	1
55	BV60E	L. H. -Steel-1-17/32" wide with 39 tabs and 8 slots	B5A 6050957-A	1
55	BV70B	R. H. -Steel-approximately-1-29/64" wide with 8 tabs and 2 slots	B5A 7050956-A	1
55	BV70B	L. H. -Steel-approximately-1-29/64" wide with 8 tabs and 2 slots	B5A 7050957-A	1
55	BV73B-73C	R. H. -Steel-approximately 1-13/32" with 2 slot holes 1/2"x1/4"	B5A 7350956-A	1
55	BV73B-73C	L. H. -Steel-approximately 1-13/32" with 2 slot holes 1/2"x1/4"	B5A 7350957-A	1
55	BV73B-73C	Retainer	357578-S8	4
55	BV73B-73C-79B-79C	Retainer	B5A 7020918-A	as req'd
Group 51154-5 RAIL ASSEMBLY (FOLDING TOP CENTER SIDE)				
55	BV76B	R. H.	B5A 7651154-AP	1
55	BV76B	L. H.	B5A 7651155-AP	1
		Attach To Rail Assy Folding Top Rear Side (53196-7)-with Following:		
55	BV76B	Pin (oval head)-3/8" x 1-11/64"	357545-S13	2
55	BV76B	Pin (roll)-I. D. 1/32" x O. D. 9/64" x 1-1/2"	357883-S8	2
55	BV76B	Washer (wave)-25/64" x 1-3/16"	356445-S8	2
		Attach To Rail-Folding Top Front Side (53104-5)-with following:		
55	BV76B	Pin-7/16" x 2-1/8"	357540-S13	2
55	BV76B	Pin (cotter)-3/32" x 5/8"	72009-S	2
55	BV76B	Washer (flat)-7/16" x 3/4"	356214-S8	2
55	BV76B	Washer (spring)-29/64" I. D. x 3/4" O. D.	8M 7653211	2
		Attach To Link Assy Folding Top Control (50316-7)-with following:		
55	BV76B	Bushing	B5A 7650474-A	2
55	BV76B	Pin-3/32" x 1"	354206-S	2
55	BV76B	Pin (oval head)-5/16" x 1-7/16"	354270-S13	2
55	BV76B	Washer (spring three wave)-21/64" I. D. x 9/16" O. D.	8M 7653217	2
55	BV76B	Washer (spring)-29/64" I. D. x 3/4" O. D.	8M 7653211	2
Group 51180-1 RAIL ASSEMBLY (ROOF SIDE)-INNER-FRONT				
55	BV70B	R. H.	B5A 7051180-B	1
55	BV70B	L. H.	B5A 7051181-B	1
55	BV73B-73C	R. H.	B5A 7351180-B	1
55	BV73B-73C	L. H.	B5A 7351181-B	1
55	BV79B-79C	R. H.	B5A 7951180-B	1
55	BV79B-79C	L. H.	B5A 7951181-B	1

MERCURY

BODY PARTS CATALOGUE

YEAR 19	BODY TYPES	REMARKS	PART NUMBER	NO. REQ'D
Group 51184-5 RAIL (ROOF SIDE)-INNER-FRONT				
55	BV58A	R. H.	BV 5851184-A	1
55	BV58A	L. H.	BV 5851185-A	1
55	BV60B-60E	R. H.	B5A 6051184-B	1
55	BV60B-60E	L. H.	B5A 6051185-B	1
55	BV64A-64B	R. H.	B5A 6451184-A	1
55	BV64A-64B	L. H.	B5A 6451185-A	1
Group 51186-7 RAIL (ROOF SIDE)-OUTER-FRONT				
55	BV70B	R. H.	B5A 7051186-B	1
55	BV70B	L. H.	B5A 7051187-B	1
55	BV79B-79C	R. H.	B5A 7951186-B	1
55	BV79B-79C	L. H.	B5A 7951187-B	1
Group 51212-3 RAIL ASSEMBLY (ROOF SIDE)-INNER-REAR				
55	BV58A	R. H.	BV 5851212-A	1
55	BV58A	L. H.	BV 5851213-A	1
55	BV60B-60E	R. H.	B5A 6051212-B	1
55	BV60B-60E	L. H.	B5A 6051213-B	1
55	BV64A-64B	R. H.	B5A 6451212-A	1
55	BV64A-64B	L. H.	B5A 6451213-A	1
55	BV70B	R. H.	BN 7051212-B	1
55	BV70B	L. H.	BN 7051213-B	1
55	BV73B-73C	R. H.	B5A 7351212-A	1
55	BV73B-73C	L. H.	B5A 7351213-A	1
55	BV79B-79C	R. H.	B5A 7951212-B	1
55	BV79B-79C	L. H.	B5A 7951213-B	1
Group 51218-9 RAIL ASSEMBLY (ROOF SIDE)-OUTER				
55	BV58A	R. H.	BV 5851218-A	1
55	BV58A	L. H.	BV 5851219-A	1
55	BV60B-60E	R. H.	B5A 6051218-B	1
55	BV60B-60E	L. H.	B5A 6051219-B	1
55	BV64A-64B	R. H.	B5A 6451218-A	1
55	BV64A-64B	L. H.	B5A 6451219-A	1
55	BV73B-73C	R. H.	B5A 7351218-B	1
55	BV73B-73C	L. H.	B5A 7351219-B	1
Group 51222-3 WEATHERSTRIP ASSEMBLY (ROOF SIDE RAIL)				
55	BV60B-60E	R. H. -Rubber-reinforced with Steel	BN 6051222-C	1
55	BV60B-60E	L. H. -Rubber-reinforced with Steel	BN 6051223-C	1
55	BV64A-64B	R. H. -Rubber-reinforced with Steel	BV 6451222-C	1
55	BV64A-64B	L. H. -Rubber-reinforced with Steel	BV 6451223-C	1
55	BV60B-60E-64A-64B	Screw (flat hd. cr. rec. tap.)-No. 6 x 1/2"	52010-S8	4



*REFER TO SOFT TRIM SECTION

PMB-151

CONVERTIBLE COUPE TOP EXTERIOR (BODY TYPE 76)

Group numbers only shown on illustration. Order by Part Numbers shown in list of parts.

MERCURY

BODY PARTS CATALOGUE

YEAR 19____	BODY TYPES	REMARKS	PART NUMBER	NO. REQ'D
Group 51242-3 BRACKET (ROOF-SIDE REAR OUTER RAIL TO WHEELHOUSE)				
55	BV58A	R. H.	BV 5851242-A	1
55	BV58A	L. H.	BV 5851243-A	1
Group 51269 BOW ASSEMBLY (FOLDING TOP)-NO. 3				
55	BV76B	Approximately 54-1/16" across ends	B5A 7651269-AP	1
55	BV76B	Screw (oval head cross recessed)-No. 14-10 x 5/8"	52355-S13	4
55	BV76B	Washer (external tooth)-No. 14	34954-S7	4
Group 51274 BOW ASSEMBLY (FOLDING TOP)-NO. 2				
55	BV76B	Approximately 53" across ends	B5A 7651274-AP	1
55	BV76B	Screw (oval head cross recessed)-No. 14-10 x 5/8"	52355-S13	4
55	BV76B	Washer (external tooth)-No. 14	34954-S7	4
Group 51278 BOW ASSEMBLY (FOLDING TOP)-NO. 4				
55	BV76B		BV 7651278-AP	1
55	BV76B	Pin (clevis)-7/16" x 7/8"	357411-S13	2
55	BV76B	Pin (cotter)-3/32" x 5/8"	72009-S	2
55	BV76B	Washer (flat)-7/16"	356214-S8	2
55	BV76B	Washer (spring)-29/64" I. D. x 3/4" O. D.	8M 7653211	2
Group 51330 WEATHERSTRIP ASSEMBLY (FOLDING TOP NO. 1 BOW)-REAR				
55	BV76B	Steel and Black Rubber-approximately 44-21/64"with 9 slot holes 7/32" x 7/16"	B5A 7651330-A	1
55	BV76B	Screw (pan hd. cr. rec. tap.)-No. 8-15 x 1/2"	52726-S13	9
55	BV76B	Washer (external tooth lock)-No. 8	34938-S8	9
Group 51338 WEATHERSTRIP (FOLDING TOP HEADER FRONT)				
55	BV76B	Rubber-approximately 59-35/64"	B5A 7651338-A	1
Group 51384-5 MOULDING ASSEMBLY (FOLDING TOP NO. 1 BOW)-OUTSIDE				
55	BV76B	Rustless Steel-approximately 54-1/4" across ends	B5A 7651384-B	1
55	BV76B	Nut (cold punched)-No. 10-24	34053-S8	12
55	BV76B	Retainer	B5A 7650363-A	10
55	BV76B	Washer (internal tooth lock)-No. 10	34903-S8	12
55	BV76B	Washer (flat)-3/16" x 1/2" x 1/8"	356499-S	10
Group 51486 SUPPORT AND BRACKET ASSEMBLY (DOME LAMP MOUNTING)				
55	BV60B-60E	Developed length approximately 52-5/8"-both ends pink for 3" Used with Air Conditioner on 60B Model	BV 6051486-A	1
55	BV70B-73B-73C-79B-	Developed length approximately 53-29/32"	BV 7051486-A	1
55	BV79B-79C		BV 7951486-A	1

MERCURY

BODY PARTS CATALOGUE

YEAR 19	BODY TYPES	REMARKS	PART NUMBER	NO. REQ'D
Group 51552-3 WEATHERSTRIP ASSEMBLY (FOLDING TOP CENTER SIDE RAIL)-OUTER				
55	BV76B	R. H. -Rustless Steel-approximately 7-15/16"	B5A 7651552-A	1
55	BV76B	L. H. -Rustless Steel-approximately 7-15/16"	B5A 7651553-A	1
		Attach To Slat-Folding Top Bow No. 4 (50340-1)-with following:		
55	BV76B	Screw and Washer Assy (pan hd. cr. rec.)-1/4"-20 x 3/8"	50806-S13	4
Group 51558-9 WEATHERSTRIP ASSEMBLY (FOLDING TOP REAR SIDE RAIL)-OUTER				
55	BV76B	R. H. -Rustless Steel-approximately 17-27/64"	B5A 7651558-A	1
55	BV76B	L. H. -Rustless Steel-approximately 17-27/64"	B5A 7651559-A	1
Group 51562-3 WEATHERSTRIP ASSEMBLY (FOLDING TOP SIDE RAIL)-FRONT				
55	BV76B	R. H. -Rubber-approximately 25-13/32"	B5A 7651562-A	1
55	BV76B	L. H. -Rubber-approximately 25-13/32"	B5A 7651563-A	1
		Attach To Rail Folding Top Front Side (53104-5)-with following:		
55	BV76B	Bolt (spec hd. mdlg.)-No. 10-32	352161-S8	4
55	BV76B	Nut (hex cold punched)-No. 10-32	34079-S7	4
55	BV76B	Washer (flat)-No. 10	44713-S8	4
55	BV76B	Washer (light spring lock)-No. 10	34823-S7	4
		Attach to No. 1 Bow 53038 and Rail Front Side (53104-5)-with following:		
55	BV76B	Screw (pan hd. cr. rec. tap.)-No. 8-15 x 1/2"	52726-S13	8
55	BV76B	Washer (external tooth lock)-No. 8	34938-S8	8
Group 51564-5 WEATHERSTRIP ASSEMBLY (FOLDING TOP SIDE RAIL)-INNER CENTER				
55	BV76B	R. H. -Rubber-approximately 19-13/32"	B5A 7651564-A	1
55	BV76B	L. H. -Rubber-approximately 19-13/32"	B5A 7651565-A	1
		Attach to Rail Assy Folding Top Center Side (51154-5)-with following:		
55	BV76B	Bolt (special head mdlg.)-No. 10-32	352161-S8	8
55	BV76B	Nut (hex cold punched)-No. 10-32	34079-S7	8
55	BV76B	Washer (flat)-No. 10	44713-S8	8
55	BV76B	Washer (light spring lock)-No. 10	34823-S7	8
Group 51566-7 WEATHERSTRIP ASSEMBLY (FOLDING TOP SIDE RAIL)-INNER REAR				
55	BV76B	R. H. -Rubber-approximately 17-13/32"	B5A 7651566-A	1
55	BV76B	L. H. -Rubber-approximately 17-13/32"	B5A 7651567-A	1
		Attach to Rail Assy Folding Top Rear Side (53196-7)-with following:		
55	BV76B	Bolt (special head mdlg.)-No. 10-32	352161-S8	8
55	BV76B	Nut (hex cold)-No. 10-32	34079-S7	8
55	BV76B	Washer (flat)-No. 10	44713-S8	8
55	BV76B	Washer (light spring lock)-No. 10	34823-S7	8

MERCURY

BODY PARTS CATALOGUE

YEAR 19_____	BODY TYPES	REMARKS	PART NUMBER	NO. REQ'D
Group 51700-1 MOULDING (ROOF DRIP)-SIDE				
55	BV58A	R. H. -approximate length 70-53/64"	BV 5851700-A	1
55	BV58A	L. H. -approximate length 70-53/64"	BV 5851701-A	1
55	BV60B-60E	R. H. -approximately 27/64" x 58-9/16"	B5A 6051700-B	1
55	BV60B-60E	L. H. -approximately 27/64" x 58-9/16"	B5A 6051701-B	1
55	BV64A-64B	R. H. -approximately 21/32" x 67-19/32"	B5A 6451700-B	1
55	BV64A-64B	L. H. -approximately 21/32" x 67-19/32"	B5A 6451701-B	1
55	BV70B-73B-73C	R. H. -approximately 27/64" x 63-1/32"	B5A 7051700-B	1
55	BV70B-73B-73C	L. H. -approximately 27/64" x 63-1/32"	B5A 7051701-B	1
55	BV79B-79C	R. H. -approximately 27/64" x 95-1/4"	B5A 5951700-B	1
55	BV79B-79C	L. H. -approximately 27/64" x 95-1/4"	B5A 5951701-B	1
Group 51704 MOULDING (ROOF DRIP)-REAR				
55	BV79B-79C	Approximately 27/64" x 45-13/16"	B5A 5951704-A	1
Group 51718-9 MOULDING (ROOF DRIP FINISH)-FRONT				
55	BV60B	R. H. -Rustless Steel-15/32" x 25-3/4"	B5A 6051718-A	1
55	BV60B	L. H. -Rustless Steel-15/32" x 25-3/4"	B5A 6051719-A	1
55	BV73C	R. H. -Rustless Steel-approximately 15/32" x 52-1/2" across ends	B5A 7051718-A	1
55	BV73C	L. H. -Rustless Steel-approximately 15/32" x 52-1/2" across ends	B5A 7051719-A	1
Group 51724 MOULDING (ROOF DRIP)-FRONT				
55	BV58A-64A	Approximate length 53" across ends	B5A 6451724-A	1
55	BV60B-60E		B5A 6051724-B	1
55	BV70B-73B-73C-79B-79C	Approximately 27/64" x 52-1/2" across ends	B5A 7051724-B	1
Group 51726-7 MOULDING (ROOF DRIP FINISH)-SIDE				
55	BV58A	R. H. -Rustless Steel-approximately 15/32" x 71-1/64"	BV 5851726-A	1
55	BV58A	L. H. -Rustless Steel-approximately 15/32" x 71-1/64"	BV 5851727-A	1
55	BV60B	R. H. -Rustless Steel-approximately 15/32" x 58-9/16"	B5A 6051726-A	1
55	BV60B	L. H. -Rustless Steel-approximately 15/32" x 58-9/16"	B5A 6051727-A	1
55	BV64A-64B	R. H. -Rustless Steel-approximately 15/32" x 68-3/4"	B6A 6451726-A	1
55	BV64A-64B	L. H. -Rustless Steel-approximately 15/32" x 68-3/4"	B6A 6451727-A	1
55	BV73C	R. H. -Rustless Steel-approximately 15/32" x 63-1/32"	B5A 7051726-A	1
55	BV73C	L. H. -Rustless Steel-approximately 15/32" x 63-1/32"	B5A 7051727-A	1

MERCURY

BODY PARTS CATALOGUE

YEAR 19___	BODY TYPES	REMARKS	PART NUMBER	NO. REQ'D
Group 51752-3 MOULDING (ROOF SIDE INNER)-FRONT				
55	BV58A	R. H. -Chrome Finish-approximate length 65-15/32"	BV 5851752-A	1
55	BV58A	L. H. -Chrome Finish-approximate length 65-15/32"	BV 5851753-A	1
55	BV60B	R. H. -Rustless Steel-approximately 1-5/8" x 31-1/4"	BV 6051752-B	1
55	BV60B	L. H. -Rustless Steel-approximately 1-5/8" x 31-1/4"	BV 6051753-B	1
55	BV64A	R. H. -Chrome Finish-approximately 2-13/64" x 33-13/16"- with flange on forward end	BV 6451752-A	1
55	BV64A	L. H. -Chrome Finish-approximately 2-13/64" x 33-13/16"- with flange on forward end	BV 6451753-A	1
Attach to Rail Roof Side Inner Front (51184-5)-with following:				
55	BV58A	Screw (pan hd. cr. rec. tap.)-No. 8-15 x 1/2"	52726-S2	1
55	BV58A	Screw (oval hd. cr. rec. tap.)-No. 8-15 x 1-1/4"	52382-S13	7
Attach to Pillar Front Body Upper Inner (02508-9)-with following:				
55	BV60B	Screw (oval hd. cr. rec.)-No. 8-15 x 3/4"	52360-S13	3
55	BV60B	Screw (pan hd. cr. rec.)-No. 8-15 x 1/2"	52726-S8	1
Attach to Rail Roof Side Inner Front (51184-5)-with following:				
55	BV64A	Screw (oval hd. cr. rec.)-No. 8-32 x 1-1/4"	51411-S13	3
55	BV64A	Screw (pan hd. cr. rec. tap.)-No. 8-32 x 3/8"	51855-S8	1
Group 51754-5 MOULDING (ROOF SIDE INNER)-REAR				
55	BV60B	R. H. -Rustless Steel-approximately 1-5/8" x 29-13/16"	BV 6051754-B	1
55	BV60B	L. H. -Rustless Steel-approximately 1-5/8" x 29-13/16"	BV 6051755-B	1
55	BV64A-64B	R. H. -Chrome Finish-approximately 2-9/64" x 34"	BV 6451754-A	1
55	BV64A-64B	L. H. -Chrome Finish-approximately 2-9/64" x 34"	BV 6451755-A	1
Attach to Rail Assy Roof Side Inner Rear (51212-3)-with following:				
55	BV60B	Screw (oval hd. cr. rec. tap.)-No. 8-15 x 3/4"	52360-S13	2
55	BV60B	Screw (pan hd. cr. rec. tap.)-No. 8-15 x 1/2"	52726-S8	2
55	BV64A-64B	Screw (oval hd. cr. rec.)-No. 8-32 x 1-1/4"	51411-S13	2
55	BV64A-64B	Screw (oval hd. type A tap.)-No. 8 x 1-3/4"	354354-S13	1
Group 51762 COVER (ROOF DRIP RAIL JOINT)-FRONT CORNER				
55	BV60E-70B-73B-79B-79C	Terne plate	B5A 7051762-A	2
Group 51792 COVER (ROOF DRIP FINISH MOULDING JOINT)-FRONT CORNER				
55	BV58A-60B-73C	Rustless Steel-width approximately 1/2"	BG 7351792-A	3
Group 51798-9 COVER (ROOF DRIP MOULDING REAR CORNER JOINT)				
55	BV79B-79C	R. H. -Terne plate	B5A 5951798-A	1
55	BV79B-79C	L. H. -Terne plate	B5A 5951799-A	1
Group 51970-1 PANEL (ROOF RAIL REAR TRIM)				
55	BV60E	R. H. -Steel-Primed-(For covered panels refer to Soft Trim Section Group 51948)	BV 6051970-BP	1
55	BV60E	L. H. -Steel-Primed-(For covered panels refer to Soft Trim Section Group 51949)	BV 6051971-BP	1

MERCURY

BODY PARTS CATALOGUE

YEAR 19____	BODY TYPES	REMARKS	PART NUMBER	NO. REQ'D
	Group 52101-10	SUPPORT (ROOF HEADLINING RETAINING)		
55	BV58A	No. 1-developed length approximately 52-27/64"-One end Gray for 3"other end Green for 3"	BV 5852101-A	1
55	BV58A	No. 2-developed length approximately 53-1/8" One end White for 3"other end Green for 3"	BV 5852102-A	1
55	BV58A	No. 3-developed length approximately 53-11/16"-One end Blue for 3"other end Green for 3"	BV 5852103-A	1
55	BV58A	No. 4-developed length approximately 53-13/16"-One end yellow for 3"other end Green for 3"	BV 5852104-A	1
55	BV58A	No. 5-developed length approximately 53-1/16"-One end Red for 3"other end Green for 3"	BV 5852105-A	1
55	BV58A	No. 6-developed length approximately 54-11/16"-One end Green for 3"other end Green for 3"	BV 5852106-A	1
55	BV58A	No. 7-developed length approximately 56"-One end Aluminum for 3"other end Green for 3"	BV 5852107-A	1
55	BV58A	No. 8-developed length approximately 57-3/4"-One end Orange for 3"other end Green for 3"	BV 5852108-A	1
55	BV60B-60E	No. 1-developed length approximately 50-3/4"-One end Pink for 3"other end Black for 3"	B5A 6052101-A	1
55	BV60B-60E	No. 2-developed length approximately 51-13/16"-One end Pink for 3"other end White for 3"	B5A 6052102-A	1
55	BV60B-60E	No. 3-developed length approximately 52"-One end Pink for 3"other end Blue for 3"	B5A 6052103-A	1
55	BV60B-60E	No. 4-developed length approximately 52-1/2"-One end Pink for 3"other end Yellow for 3"	B5A 6052104-A	1
55	BV60B-60E	No. 5-developed length approximately 53-1/2"-One end Pink for 3"other end Red for 3"	B5A 6052105-A	1
55	BV60B-60E	No. 6-developed length approximately 55-1/2"-One end Pink for 3"other end Green for 3"	B5A 6052106-A	1
55	BV60B-60E	No. 8-developed length approximately 62-1/16"-One end Pink for 3"other end Orange for 3"	B5A 6052108-A	1
55	BV64A	No. 1-developed length approximately 52-13/16"-One end White for 3"other end Orange for 3"	B5A 6452101-A	1
55	BV64A	No. 1-developed length approximately 52-5/16"-One end Orange for 6"other Orange for 3"	*BV 6452101-B	1
55	BV64A	No. 2-developed length approximately 53-3/16"-Both ends White for 3"	B5A 6452102-A	1
55	BV64A	No. 2-developed length approximately 52-15/16"-One end Orange for 6"other end Purple for 3"	*BV 6452102-B	1
55	BV64A	No. 3-developed length approximately 53-1/2"-One end white for 3"other end Blue for 3"	B5A 6452103-A	1
55	BV64A	No. 3-developed length approximately 53-1/4"-One end Orange for 6"other end Blue for 3"	*BV 6452103-B	1
55	BV64A	No. 4 and 5-developed length approximately 53-1/2"-One end Orange for 3"other end Blue for 3"	*BV 6452103-A	2
55	BV64A	No. 4 and 5-developed length approximately 53-3/4"-One end White for 3"other end Yellow for 3"	B5A 6452105-A	2
55	BV64B	No. 5-developed length approximately 53-3/4"-One end White for 3"other end Yellow for 3"	B5A 6452105-A	1
55	BV64A-64B	No. 6-developed length approximately 54-3/16"-One end White for 3"other end Red for 3"	B5A 6452106-A	1
55	BV64A	No. 6-developed length approximately 53-7/8"-One end Orange for 3"other end Red for 3"	*BV 6452106-A	1

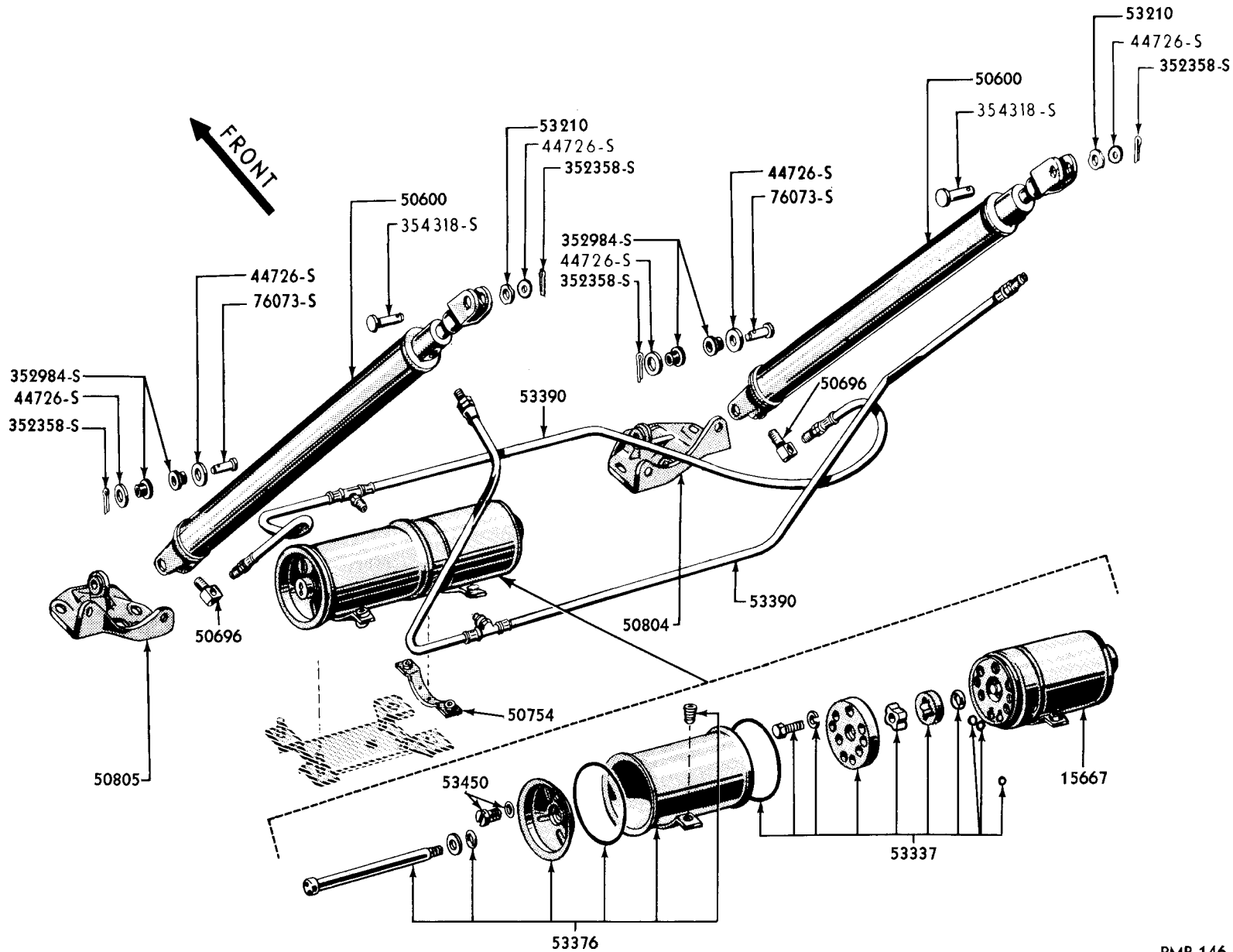
* Use with Air Conditioner

MERCURY

BODY PARTS CATALOGUE

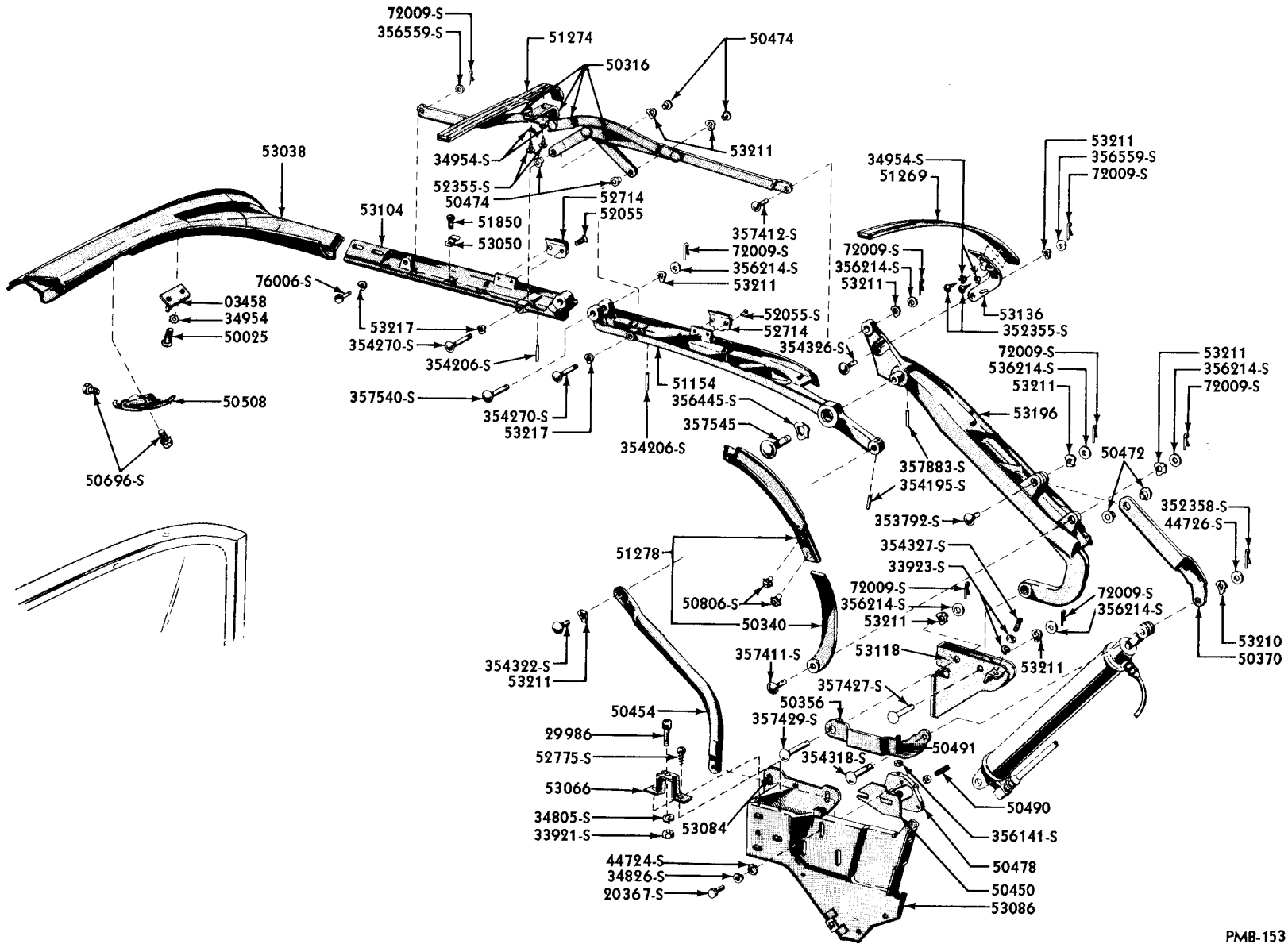
YEAR 19	BODY TYPES	REMARKS	PART NUMBER	NO. REQ'D
	Group 52101-10	SUPPORT (ROOF HEADLINING RETAINING)-continued		
55	BV64A-64B	No. 7-developed length approximately 55-1/16"-One end White for 3"other end Green for 3"	B5A 6452107-A	1
*55	BV64A	No. 7-developed length approximately 54-13/16"-One end Orange for 3"other end Green for 3"	BV 6452107-A	1
55	BV64A-64B	No. 8-developed length approximately 55-1/2"-One end White for 3"other end Aluminum for 3"	B5A 6452108-A	1
55	BV70B-73B-73C	No. 1-developed length approximately 52"	B5A 7052101-A	1
55	BV70B-73B-73C	No. 1-developed length approximately 51-3/4"-One end Grey for 3"	*BV 7052101-A	1
55	BV70B-73B-73C	No. 2-developed length approximately 53-1/4"-One end White for 3"	B5A 7052102-A	1
55	BV70B-73B-73C	No. 2-developed length approximately 53"-One end White for 3" other end Grey for 3"	*BV 7052102-A	1
55	BV70B-73B-73C	No. 3-developed length approximately 53-11/16"-One end Blue for 3"	B5A 7052103-A	1
55	BV70B-73B-73C	No. 3-developed length approximately 53-7/16"-One end Blue for 3"other end Grey for 3"	*BV 7052103-A	1
55	BV70B-73B-73C	No. 4-developed length approximately 53-7/8"-One end Yellow for 3"	B5A 7052104-A	1
55	BV70B-73B-73C	No. 4-developed length approximately 53-5/8"-One end Yellow for 3"other end Grey for 3"	*BV 7052104-A	1
55	BV70B-73B-73C	No. 5-developed length approximately 55-1/8"-One end Red for 3"	B5A 7052105-A	1
55	BV70B-73B-73C	No. 5-developed length approximately 54-7/8"-One end Red for 3"other end Grey for 3"	*BV 7052105-A	1
55	BV70B-73B-73C	No. 6-developed length approximately 57-3/4"-One end Green for 3"	B5A 7052106-A	1
55	BV70B-73B-73C	No. 6-developed length approximately 57-1/2"-One end Green for 3"other end Grey for 3"	*BV 7052106-A	1
55	BV70B-73B-73C	No. 7-developed length approximately 60"-One end Aluminum for 3"	B5A 7052107-A	1
55	BV70B-73B-73C	No. 7-developed length approximately 59-3/4"-One end Aluminum for 3"other end Grey for 3"	*BV 7052107-A	1
55	BV70B-73B-73C	No. 8-developed length approximately 64-1/2"-One end Orange for 3"	B5A 7052108-A	1
55	BV70B-73B-73C	No. 8-developed length approximately 64-1/4"-One end Orange for 3"other end Grey for 3"	*BV 7052108-A	1
55	BV79B-79C	No. 1-developed length approximately 53"-One end Gold for 3"	B5A 5952101-A	1
55	BV79B-79C	No. 2-developed length approximately 54"-One end Gold for 3" other end White for 3"	B5A 5952102-A	1
55	BV79B-79C	No. 3-developed length approximately 54-3/4"-One end Gold for 3"other end Blue for 3"	B5A 5952103-A	1
55	BV79B-79C	No. 4 and 5-developed length approximately 55-1/2"-One end Gold for 3"other end Yellow for 3"	B5A 5952104-A	2
55	BV79B-79C	No. 6-developed length approximately 53-3/8"-One end Gold for 3"other end Green for 3"	B5A 5952106-A	1
55	BV79B-79C	No. 7-developed length approximately 55"-One end Gold for 3" other end Red for 3"	B5A 5952107-A	1
55	BV79B-79C	No. 8-developed length approximately 54-1/4"-One end Gold for 3"other end Aluminum for 3"	B5A 5952108-A	1
55	BV79B-79C	No. 9-developed length approximately 53-1/2"-One end Gold for 3"other end Orange for 3"	B5A 5952109-A	1
55	BV79B-79C	No. 10-developed length approximately 52-3/4"-One end Gold for 3"other end Gray for 3"	B5A 5952110-A	1

* Use with Air Conditioner



LIFT ASSEMBLY (HYDRAULIC) FOLDING TOP
 Group numbers only shown on illustration. Order by Part Numbers shown in list of parts.

PMB-146



PMB-153

CONVERTIBLE TOP-LESS TRIM (BODY TYPE 76)

Group numbers only shown on illustration. Order by Part Numbers shown in list of parts.

MERCURY

BODY PARTS CATALOGUE

YEAR 19____	BODY TYPES	REMARKS	PART NUMBER	NO. REQ'D
Group 52180 RETAINER (REAR ROOF HEADLINING SUPPORT)				
55	BV58A	Steel Wire-approximate length 5-11/16"	BV 5852180-A	2
55	BV60B-60E-70B-73B-73C	Steel Wire-approximately 7-19/64"long (rework to 4-54/64" for models 70B-73B-73C)	B5A 6052180-A	2
55	BV79B-79C	Use B5A 6052180-A and Rework	B5A 5952180-A	2
Group 52182 RETAINER (ROOF HEADLINING SUPPORT)				
55	BV except 76B	Steel	B5A 6452182-A	14or6
Group 52714 RETAINER (FOLDING TOP SIDE RAIL DECK)				
55	BV76B	Steel-approximate length 1-39/64" Attach To Rail Assy Folding Top Center Side (51154-5)- with following:	B5A 7652714-A	4
55	BV76B	Screw (flat hd. cr. rec.)-No. 6-20 x 3/8"	52055-S8	4
Group 52806 SPRING ASSEMBLY (FOLDING TOP SIDE QUARTER TENSION)				
55	BV76B	NS For Service on Cars built after Feb. 28th-Use B5A 7652806-A and cut (2) Links from each end	B5A 7652806-A	2
55	BV76B	Attach to Strip Assy-Belt Side Front Tacking (41772-3) with following:	BN 7652806-B	2
55	BV76B	Screw (pan hd. cr. rec. tap.)-No. 8-18 x 3/8"	52718-S8	2
Group 53000 TOP ASSEMBLY (FOLDING)-LESS TRIM				
55	BV76B	Attach to Rail Assy Folding Top Rear Side (53198-9) with following:	BV 7653000-BP	1
55	BV76B	Screw (pan hd. type Cr. rec.)-No. 8-32 x 3/8"	51754-S8	2
Group 53038 HEADER ASSEMBLY (FOLDING TOP)-NO. 1 BOW				
55	BV76B	Attach To Rail Front Side (53104-5)-with the following:	B5A 7653038-AP	1
55	BV76B	Nut (blind)-1/4"-20	34162-S13	4
55	BV76B	Screw (flat hd)-1/4"-20 x 1-1/16"	354522-S8	4
55	BV76B	Washer (lock)-1/4"	34805-S8	4
55	BV76B	Washer (flat)-1/4"	44719-S8	4
Group 53038 HEADER ASSEMBLY (FOLDING TOP)-NO. 1 BOW				
55	BV76B	Attach Dowel (03458) to Header Bow with Following:		
55	BV76B	Nut (square)-1/4"-20	34129-S8	4
55	BV76B	Screw (flat hd. cr. rec.)-1/4"-20 x 5/8"	50025-S13	4
55	BV76B	Washer (external tooth c'sunk lock)-1/4"	34954-S13	4

MERCURY

BODY PARTS CATALOGUE

YEAR 19	BODY TYPES	REMARKS	PART NUMBER	NO. REQ'D
Group 53050 STOP (FOLDING TOP NO. 2 BOW CONTROL LINK)				
55	BV76B	Steel-portion brass plated and portion dipped in rubber	B5A 7653050-A	2
		Attach To Rail Assy Folding Top Side (53104-5)-with following:		
55	BV76B	Screw (pan hd. cr. rec. tap.)-No. 6-32 x 1/4"	51850-S8	2
55	BV76B	Washer (external tooth lock)-No. 6	34937-S7	2
Group 53066 RETAINER (FOLDING TOP SIDE RAIL BUMPER)				
55	BV76B	Steel-approximately 2-13/16"	B5A 7653066-A	2
		Attach to Extension (53084-5)-with following:		
55	BV76B	Screw (pan hd. cr. rec. tap.)-No. 8-18 x 1/4"	52775-S8	4
		Attach Bumper (29986) to Retainer with Following:		
55	BV76B	Nut (jam hex)-1/4"-28	33921-S13	2
55	BV76B	Washer (lock)-1/4"	34805-S8	2
Group 53084-5 PLATE ASSEMBLY (FOLDING TOP MAIN PIVOT)				
55	BV76B	R. H.	B5A 7653084-A	1
55	BV76B	L. H.	B5A 7653085-A	1
		Attach To Panel Assy Quarter Window Regulator (27870-1)-with following:		
55	BV76B	Bolt (hex hd.)-5/16"-24 x 7/8"	20367-S8	6
55	BV76B	Screw (hex washer hd. tap.)-1/4"-20 x 5/8"	40934-S8	2
55	BV76B	Washer (spring lock)-5/16"	34826-S7	6
55	BV76B	Washer (flat)-5/16"	44724-S8	6
		Attach to Support Assy-Folding Top Main Pivot Bracket To W/House (53086-7)-with following:		
55	BV76B	Bolt (hex hd.)-5/16"-24 x 3/4"	20347-S8	6
55	BV76B	Washer (spring lock)-5/16"	34826-S7	6
55	BV76B	Washer (flat)-5/16"	44724-S8	6
Group 53086-7 SUPPORT ASSEMBLY (FOLDING TOP MAIN PIVOT BRACKET TO WHEELHOUSE)				
55	BV76B	R. H.	B5A 7653086-A	1
55	BV76B	L. H.	B5A 7653087-A	1
Group 53104-5 RAIL (FOLDING TOP SIDE)-FRONT				
55	BV76B	R. H.	B5A 7653104-AP	1
55	BV76B	L. H.	B5A 7653105-AP	1
		Attach To Link Assy Folding Top Control (50316-7)-with following:		
55	BV76B	Bushing	B5A 7650474-A	2
55	BV76B	Pin 3/32" x 1"	354206-S	2
55	BV76B	Pin (clevis)-5/16" x 7/8"	76006-S13	2
55	BV76B	Pin (cotter)-3/32" x 5/8"	72009-S	2
55	BV76B	Pin (oval hd.)-5/16" x 1-27/64"	354270-S13	2
55	BV76B	Washer (flat)-21/64" I. D. x 9/16" O. D.	356559-S8	2
55	BV76B	Washer (spring three wave)-21/64" I. D. x 9/16" O. D.	8M 7653217	4
55	BV76B	Washer (spring three wave)-29/64" I. D. x 3/4" O. D.	8M 7653211	2
		Attach To Header Bow (53038)-with following:		
55	BV76B	Nut (blind)-1/4"-20	34162-S13	2
55	BV76B	Screw (flat hd.)-1/4"-20 x 1-1/16"	354522-S8	2
55	BV76B	Washer (lock)-1/4"	34805-S8	2
55	BV76B	Washer (flat)-1/4"	44719-S8	2

MERCURY

BODY PARTS CATALOGUE

YEAR 19____	BODY TYPES	REMARKS	PART NUMBER	NO. REQ'D
Group 53118-9 BRACKET ASSEMBLY (FOLDING TOP MAIN PIVOT)				
55	BV76B	R. H.	B5A 7653118-AP	1
55	BV76B	L. H.	B5A 7653119-AP	1
		Use the following as adjusting screw & lock nut in brkt. assy folding top main pivot:		
55	BV76B	Nut (hex jam)-5/16"-24	33923-S7	2
55	BV76B	Screw (set)-5/16"-24 x 1-1/16"	354327-S8	2
55	BV76B	Washer (spring lock)-5/16"	34826-S7	2
		Attach To Rail Assy Folding Top Rear Side (53196-7)-with following:		
55	BV76B	Pin (clevis)-7/16" x 1-3/8"	357427-S13	2
55	BV76B	Pin (cotter)-3/32" x 5/8"	72009-S8	2
55	BV76B	Washer (flat)-7/16" x 3/4"	356214-S8	2
55	BV76B	Washer (spring three wave)-29/64"L D. x 3/4"O. D.	8M 7653211	2
		Attach To Plate Assy Main Pivot Brkt. Support Mounting (53084-5)-with following:		
55	BV76B	Bolt (hex hd.)-5/16"-24 x 7/8"	20367-S8	8
55	BV76B	Washer (spring lock)-5/16"	34826-S7	8
55	BV76B	Washer (flat)-5/16"	44724-S8	8
Group 53136-7 BRACKET ASSEMBLY (FOLDING TOP NO. 3 BOW)				
55	BV76B	R. H.	BV 7653136-A	1
55	BV76B	L. H.	BV 7653137-A	1
Group 53152-3 BRACE (FOLDING TOP MAIN PIVOT BRACKET SUPPORT)				
55	BV76B	R. H. -Steel	B5A 7653152-A	1
55	BV76B	L. H. -Steel	B5A 7653153-A	1
Group 53158-9 SUPPORT (FOLDING TOP MAIN PIVOT BRACKET)				
55	BV76B	R. H. -Steel	B5A 7653158-A	1
55	BV76B	L. H. -Steel	B5A 7653159-A	1
Group 53196-7 RAIL ASSEMBLY (FOLDING TOP SIDE)-REAR				
55	BV76B	R. H. -Steel Fabricated	B5A 7653196-BP	1
55	BV76B	L. H. -Steel Fabricated	B5A 7653197-BP	1
		Attach to Link Folding Top Upper Power (50370-1)-with the following:		
55	BV76B	Pin (clevis)-7/16" x 1-1/2"	353792-S13	2
55	BV76B	Pin (cotter)-3/32" x 5/8"	72009-S	2
55	BV76B	Washer (flat)-7/16" x 3/4"	356214-S8	2
55	BV76B	Washer (spring)-29/64"L D. x 3/4"O. D.	8M 7653211	2
		Attach To Bracket Folding Top No. 3 Bow (53144-5)-with following:		
55	BV76B	Pin (clevis)-5/16" x 5/8"	354326-S13	2
55	BV76B	Pin (cotter)	72009-S	2
55	BV76B	Washer (flat)-21/64" x 5/8"	356559-S8	2
55	BV76B	Washer (spring three wave)-29/64"L D. x 3/4"O. D.	8M 7653211	2

MERCURY

BODY PARTS CATALOGUE

YEAR 19___	BODY TYPES	REMARKS	PART NUMBER	NO. REQ'D
Group 53210 WASHER (SPRING THREE WAVE)				
55	BV76B	Steel-25/64" I. D. x 5/8" O. D.	8M 7653210	4
Group 53211 WASHER (SPRING THREE WAVE)				
55	BV76	29/64" I. D. x 3/4" O. D.	8M 7653211	as req'd
Group 53217 WASHER (SPRING THREE WAVE)				
55	BV76	21/64" I. D. x 9/16" O. D.	8M 7653217	8
Group 53337 PUMP ASSEMBLY (FOLDING TOP HYDRAULIC LIFT)-SQUARE TYPE				
55	BV76B		B5A 7653337-A	1
Group 53337 PUMP ASSEMBLY KIT (FOLDING TOP HUDRAULIC LIFT)-ROUND TYPE				
55	BV76B		B5A 7653337-B	1
Consists of the following:				
	(1) FDH 15686-A	"O" Ring	(2) BN 7650745-A	Seal
	(1) BN 7653451-A	Rotor-Inner	(1) BN 7653452-A	Rotor-Outer
	(1) BN 7653454-A	Plate Assembly	(2) 353076-S	Ball 1/4" Dia.
	(1) 357186-S	Ball 1/8" Dia.		
Group 53376 RESERVOIR ASSEMBLY (FOLDING TOP HYDRAULIC LIFT)				
55	BV76B	Used with Square Type Pump B5A-7653337-A	BF 7653376-A	1
Group 53376 RESERVOIR KIT (FOLDING TOP HYDRAULIC LIFT)				
55	BV76B	Used with Round Type Pump B5A-7653337-B	B5A 7653376-A	1
Consists of the following:				
	(1) 1P 77265-B	"O" Ring	(2) BN 7650745-A	Seal
	(2) BF 7650763-A	Grommet	(1) BN 7653376-A	Reservoir
	(1) BN 7653388-A	Plate	(1) BN 7653453-A	Bolt
Group 53390 HOSE ASSEMBLY (FOLDING TOP LIFT)-UPPER AND LOWER				
55	BV76B	Upper-approximately 85-1/2"	BY 7653390-A	1
55	BV76B	NS Lower-approximately 71-1/2"-For Service use BY-7653390-A	BY 7653392-A	1
Group 53450 PLUG ASSEMBLY (FOLDING TOP HYDRAULIC LIFT RESERVOIR FILLER HOLE)				
55	BV76B		BN 7653450-A	1
Group 53465 BRACKET ASSEMBLY (FOLDING TOP LIFT JUNCTION BLOCK)				
55	BV76	Approximately 3/4" x 3-1/2"	BA 7653465-A	1
Group 54310 INSULATOR (ROOF PANEL)-INNER				
55	BV except 76B	NS Fibre Glass 24" x 66"-For Service use BY-7354310-A	BR 7054310-A	as req'd

MERCURY

BODY PARTS CATALOGUE

YEAR 19__	BODY TYPES	REMARKS	PART NUMBER	NO. REQ'D
Group 54312-3 INSULATOR ASSEMBLY (ROOF PANEL)-INNER				
55	BV58A	NS R. H. -Aluminum Foil Faced Fibre Glass-approximately 29-5/32" x 70-5/8"- For Service use BV-7054312-A and rework	*BV 5854312-A	1
55	BV58A	NS L. H. -Aluminum Foil Faced Fibre Glass-approximately 29-5/32" x 70-5/8"- For Service use BV-7054313-A and rework	*BV 5854313-A	1
55	BV60B-60E-70B-73B-73C	R. H. -Aluminum Foil Faced Fibre Glass 72-3/4" x 33-31/64"	BV 7054312-A	1
55	BV60B-60E-70B-73B-73C	L. H. -Aluminum Foil Faced Fibre Glass 72-3/4" x 33-31/64"	BV 7054313-A	1
55	BV60B-60E	NS R. H. -Aluminum Foil Faced Fibre Glass-approximately 33-31/64" x 68-3/4"-For Service use BV-7054312-A and rework	*BV 6054312-A	1
55	BV60B-60E	NS L. H. -Aluminum Foil Faced Fibre Glass-approximately 33-31/64" x 68-3/4"-For Service use BV-7054313-A and rework	*BV 6054313-A	1
55	BV64A	NS R. H. -Aluminum Foil Faced Fibre Glass-approximately 28-55/64" x 68-25/32"- For Service use BV-7054312-A and rework	*BV 6454312-A	1
55	BV64A	NS L. H. -Aluminum Foil Faced Fibre Glass-approximately 28-55/64" x 68-25/32"- For Service use BV-7054313-A and rework	*BV 6454313-A	1
55	BV64B	NS R. H. -Aluminum Foil Faced Fibre Glass-approximately 28-41/64" x 28-55/64"- For Service use BV-7054312-A and rework	*BV 6454312-B	1
55	BV64B	NS L. H. -Aluminum Foil Faced Fibre Glass-approximately 28-41/64" x 28-55/64"- For Service use BV-7054313-A and rework	*BV 6454313-B	1
Group 54604 CLIP (FOLDING TOP COMPARTMENT FRONT)				
55	BV76B	Steel-approximately 3/4" x 1-3/4"	B5A 7654604-A	2
Group 54624-5 RETAINER (FOLDING TOP COMPARTMENT SIDE TRIM)- FRONT				
55	BV76B	R. H. -Rustless Steel-approximately 14-3/4"	B5A 7654624-A	1
55	BV76B	L. H. -Rustless Steel-approximately 14-3/4"	B5A 7654625-A	1
Group 54666 TUBE (FOLDING TOP COMPARTMENT DRAIN)				
55	BV76B	Rubber-approximate developed length 27-1/2"	B5A 7654666-A	1
Group 54667 SCREEN (FOLDING TOP COMPARTMENT DRAIN)				
55	BV76B	Steel-sleeve 17/32" to shoulder and 7/16" dia. shell 61/64" dia. with 1/2" dia. mesh insert	B5A 7654667-A	3
Group 54668 FASTENER (FOLDING TOP COMPARTMENT DRAIN SCREEN)				
55	BV76B	Steel-approximate O. D. 51/64"	B5A 7654668-A	3
Group 54672-3 RETAINER (FOLDING TOP COMPARTMENT SIDE TRIM)-REAR				
55	BV76B	R. H. -Rustless Steel-approximately 7-3/16"	B5A 7654672-A	1
55	BV76B	L. H. -Rustless Steel-approximately 7-3/16"	B5A 7654673-A	1
* Use with Air Conditioner				

MERCURY

BODY PARTS CATALOGUE

YEAR 19	BODY TYPES	REMARKS	PART NUMBER	NO. REQ'D
Group 54674 RETAINER (FOLDING TOP COMPARTMENT TRIM)-REAR				
55	BV76B	Rustless Steel-approximately 57-1/4"	B5A 7654674-A	1
Group 54676 RETAINER (FOLDING TOP COMPARTMENT TRIM)-FRONT				
55	BV76B	Steel-approximately 44-3/4"	B5A 7654676-A	1
Group 54682-3 SHIELD ASSEMBLY (FOLDING TOP COMPARTMENT WATER)				
55	BV76B	R. H.	B5A 7654682-B	1
55	BV76B	L. H.	B5A 7654683-B	1
55	BV76B	Screw (pan hd. cr. rec. tap.)-No. 8-32 x 1/4"	41281-S8	8
55	BV76B	Screw (pan hd. cr. rec. tap.)-No. 8-32 x 3/8"	51855-S8	2
55	BV76B	Washer (flat)-No. 10	44713-S8	2
Group 54810 LOOP (FOOTMAN)				
55	BV79B-79C		BA 5954810-A	2
55	BV79B-79C	Screw & Washer Assy (oval hd. cr. rec.)-No. 10-32 x 5/8"	50703-S8	2

Group 60402

HOUSING ASSEMBLY (FRONT SEAT ADJUSTER REGULATOR-TYPE "B")-HORIZONTAL

55	BV		B5A 7060402-A	1
55	BV	Nut (hex)-No. 10-12	34079-S7	2
55	BV	Washer (light spring lock)-No. 10	34823-S7	2

Group 60403

HOUSING ASSEMBLY (FRONT SEAT ADJUSTER REGULATOR-TYPE "B")-VERTICAL

55	BV		B5A 7060403-A	1
55	BV	Nut (hex)-No. 10-32	34079-S7	2
55	BV	Washer (light spring lock)-No. 10	34823-S7	2

Group 60419

GEAR (FRONT SEAT ADJUSTER REGULATOR-TYPE "B")

55	BV	R. H. -41 teeth-9 degree helix-(1) for Vertical (1) for Horizontal	B5A 7060419-A	2
55	BV	Nut (light hex lock)-7/16"-20	34372-S8	2

Group 60437

WASHER (FRONT SEAT ADJUSTER REGULATOR SCREW SHAFT-TYPE "B")

55	BV	Steel-15/32" I. D. x 55/64" O. D. -(1) for Vertical (1) for Horizontal	B5A 7060437-A	2
55	BV	Nylon Washer (flat)-35/64" I. D. x 7/8" O. D.	354704-S	1
55	BV	Steel Washer (flat)-35/64" I. D. x 7/8" O. D.	354705-S	1

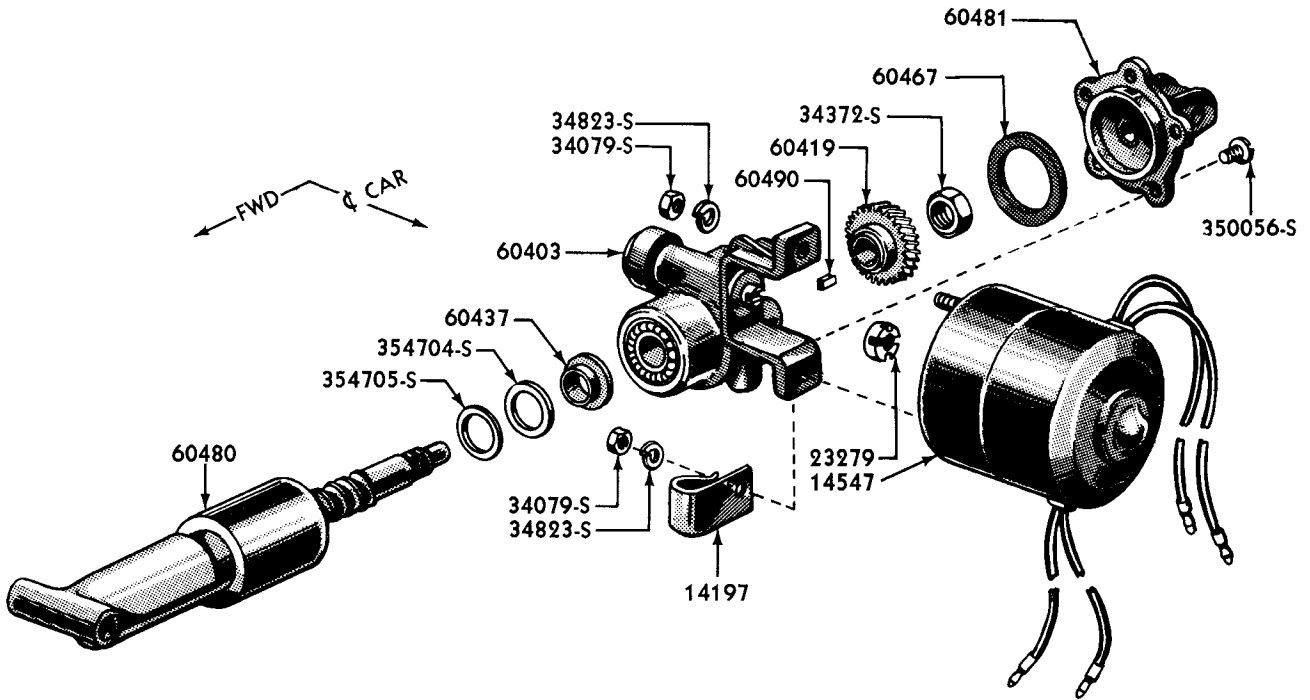
Group 60460-1

REINFORCEMENT (FLOOR PAN TO ELECTRIC SEAT ADJUSTER)

55	BV	R. H. -Steel-Used with 4-way Electric Seat	B5A 7060460-B	1
55	BV	L. H. -Steel-Used with 4-way Electric Seat	B5A 7060461-C	1
55	BV	Nut (light thick lock)-3/8"-16	34444-S8	1
55	BV	Stud 3/8"-16 x 1-7/8"	352736-S8	1
55	BV	Washer (flat)-3/8"	356475-S8	1

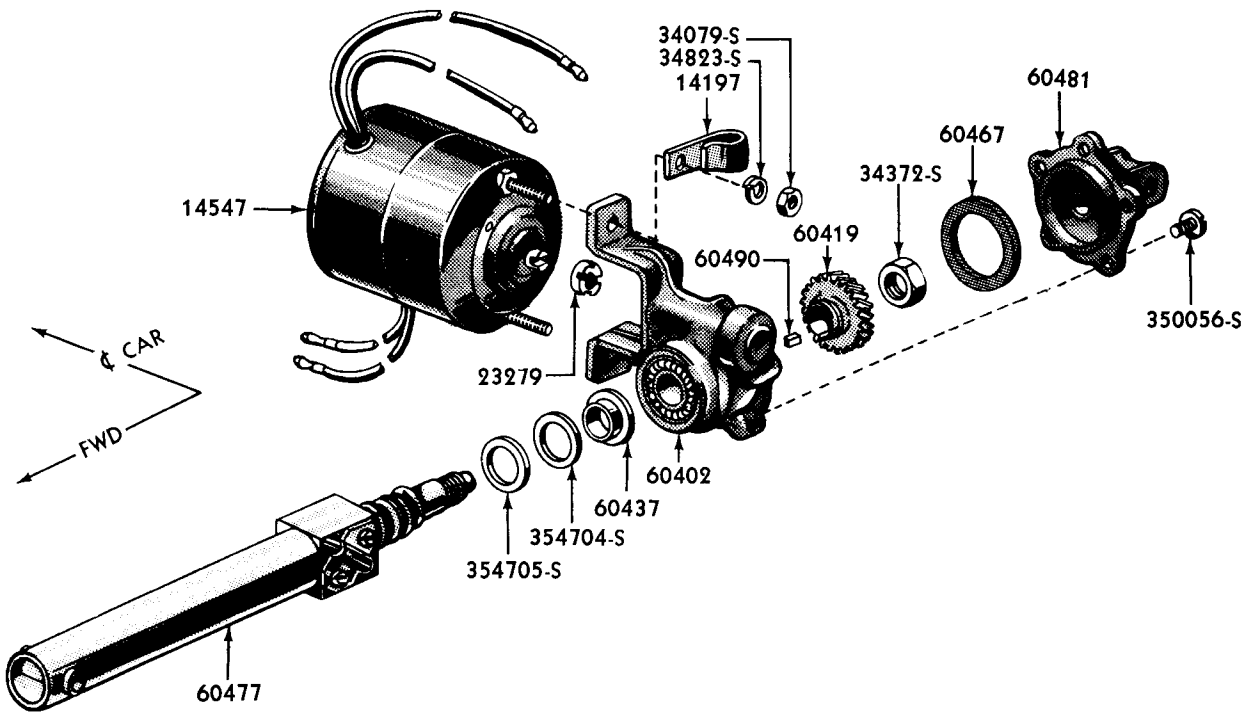
MERCURY

BODY PARTS CATALOGUE



TYPE "B" VERTICAL

PMB 65



TYPE "B" HORIZONTAL

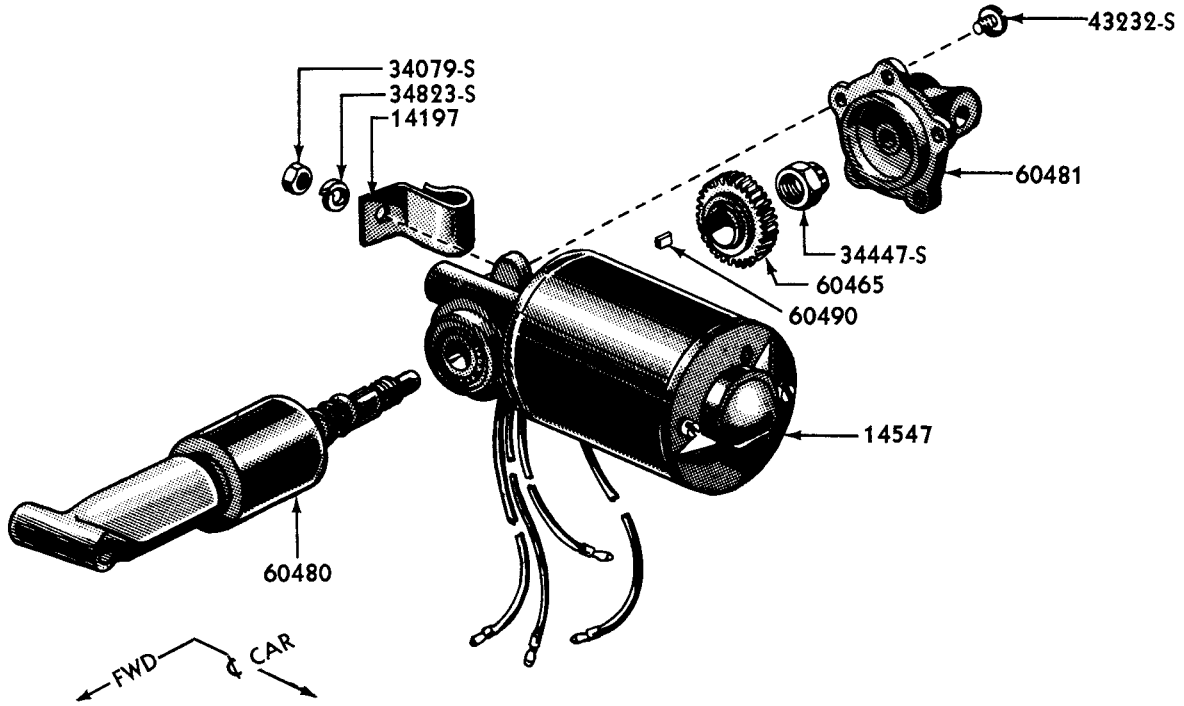
PMB -154

4-WAY ELECTRIC SEAT REGULATOR

Group numbers only shown on illustration. Order by Part Numbers shown in list of parts.

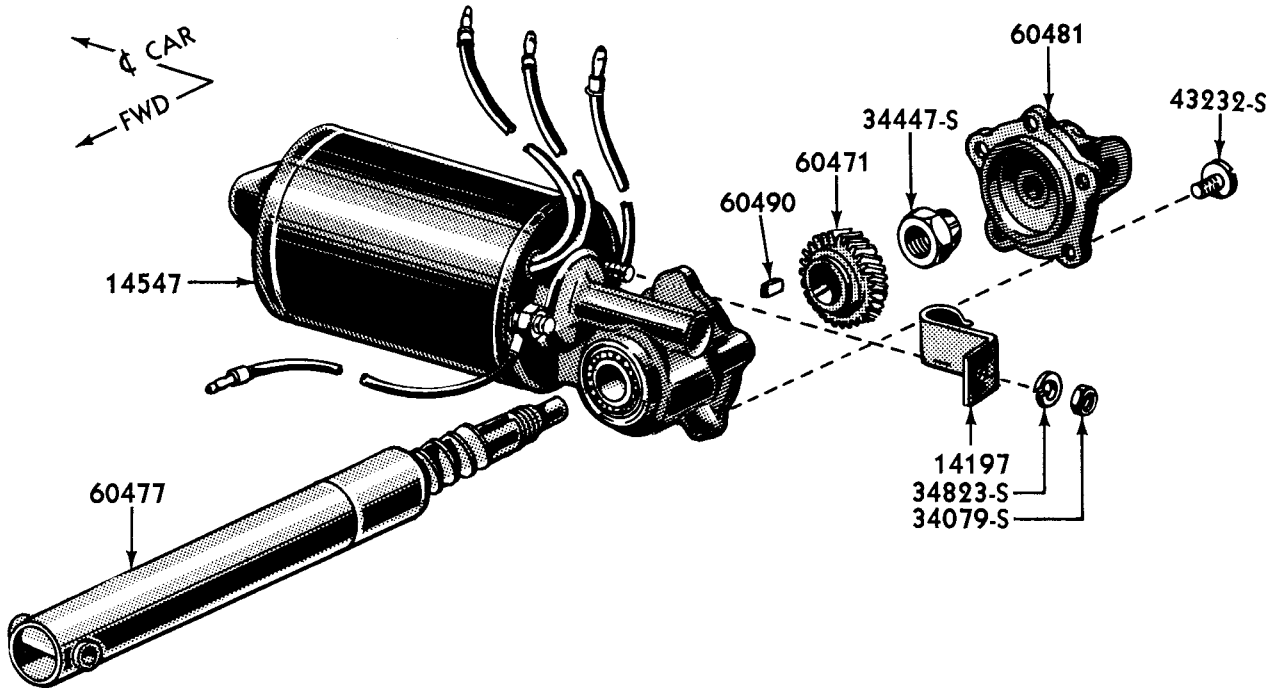
MERCURY

BODY PARTS CATALOGUE



TYPE "C" VERTICAL

PMB-155



TYPE "C" HORIZONTAL

PMB 75

4-WAY ELECTRIC SEAT REGULATOR

Group numbers only shown on illustration. Order by Part Numbers shown in list of parts.

MERCURY

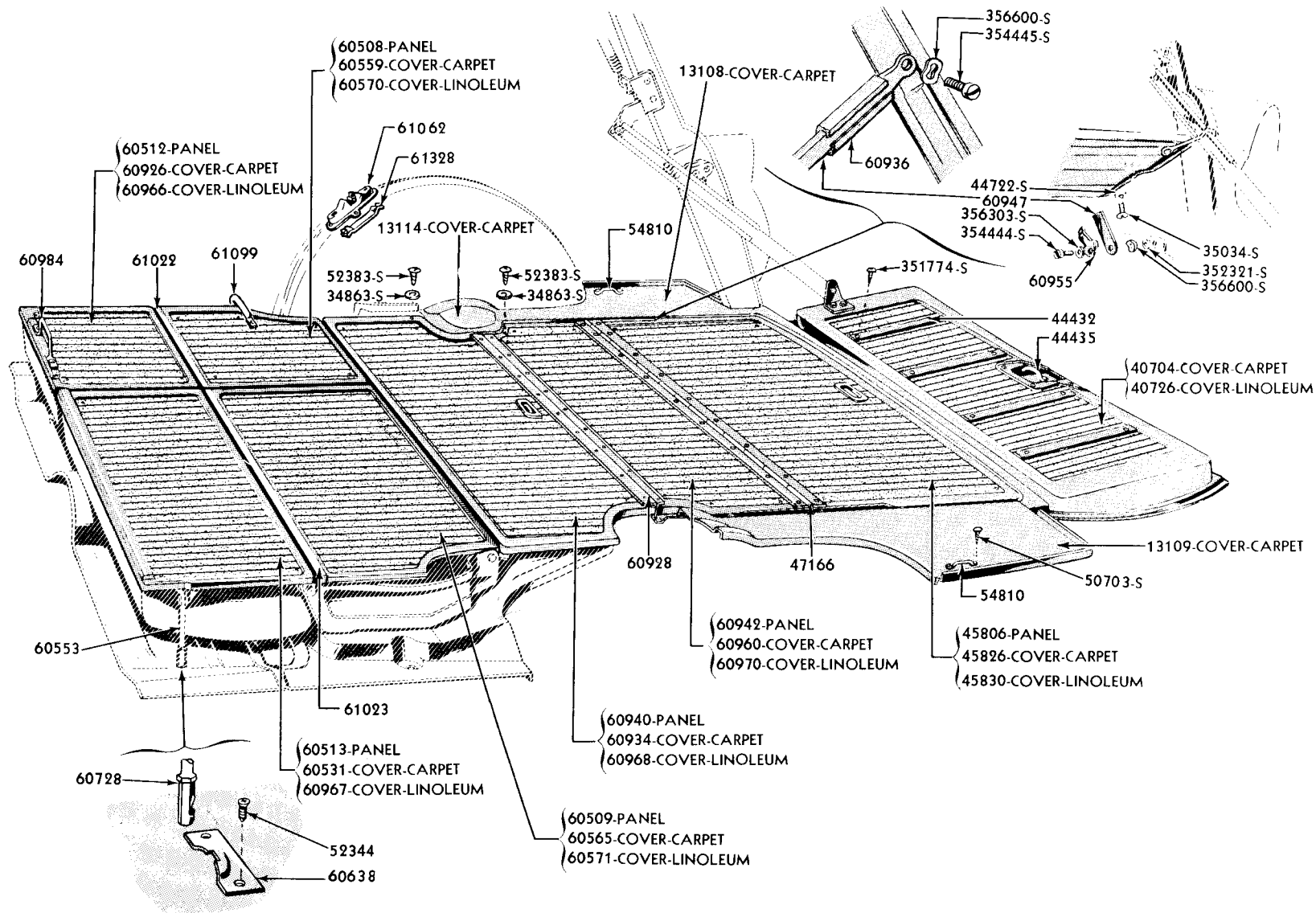
BODY PARTS CATALOGUE

YEAR 19____	BODY TYPES	REMARKS	PART NUMBER	NO. REQ'D
Group 60465 GEAR ASSEMBLY (FRONT SEAT REGULATOR-TYPE "C")-VERTICAL				
55	BV	L. H. -30 teeth-1-1/2"degree helix	BN 7060465-A	1
55	BV	Nut (light thick lock)-7/16"-20	34447-S2	1
Group 60467 GASKET (FRONT SEAT ADJUSTER REGULATOR COVER-TYPE "B")				
55	BV	Approximate I. D. 1-1/2" x O. D. 1-19/32"-(1) for Vertical (1) for Horizontal	B5A 7060467-A	2
Group 60471 GEAR ASSEMBLY (FRONT SEAT-TYPE "C")-HORIZONTAL				
55	BV	R. H. -30 teeth-12 degree helix	BN 7060471-A	1
55	BV	Nut (light thick lock)-7/16"-20	34447-S2	1
Group 60477 SHAFT ASSEMBLY (FRONT SEAT ADJUSTER REGULATOR)-HORIZONTAL				
55	BV	Used with "B" Type Regulator-length of Housing Motor end to center of Bushing hole 8-1/64"	B5A 7060477-A	1
55	BV	Used with "C" Type Regulator-length of Housing Motor end to center of Bushing hole 7-5/8"	BN 7060477-B	1
55	BV	Ball 1/8" dia. (67) for Type "B" (12) for Type "C"	357186-S	as req'd
55	BV	Pin-5/16" x 1-1/2"-used to attach Shaft to Bracket on Seat Frame	354403-S7	1
Group 60480 SHAFT ASSEMBLY (FRONT SEAT ADJUSTER REGULATOR)-VERTICAL				
55	BV	Used with "B" Type Regulator-length of Housing Motor end to center of Bushing hole 5-7/8"	B5A 7060480-A	1
55	BV	Used with "C" Type Regulator-length of Housing Motor end to center of Bushing hole 5-1/2"	BN 7060480-B	1
55	BV	Ball 1/8" (67) for Type "B" 12 for Type "C"	357186-S	12
55	BV	Pin-5/16" x 2-1/4"-used to attach shaft to Bracket on Bar Assy (61832)	354404	1
Group 60481 COVER ASSEMBLY (FRONT SEAT ADJUSTER REGULATOR HOUSING)				
55	BV	Used with "B" Type Regulator (1) for Vertical (1) for Horizontal	B5A 7060481-A	2
55	BV	Used with "C" Type Regulator (1) for Vertical (1) for Horizontal	BN 7060481-B	2
55	BV	Screw and Washer Assy (flat hd. cr. rec.)-No. 10-32 x 1/2" (5) for Vertical and (5) for Horizontal Type "B" Regulators	350056-S2	10
55	BV	Screw and Washer Assy (round head)-No. 10-32 x 1/2" (5) for Vertical and (5) for Horizontal Type "C" Regulators	43232-S8	10
Group 60490 KEY (SEAT ADJUSTER REGULATOR-TYPE "B" AND TYPE "C")				
55	BV	Steel-1/8" x 9/32"-Used on both Vertical and Horizontal	B5A 7060490-A	1

MERCURY

BODY PARTS CATALOGUE

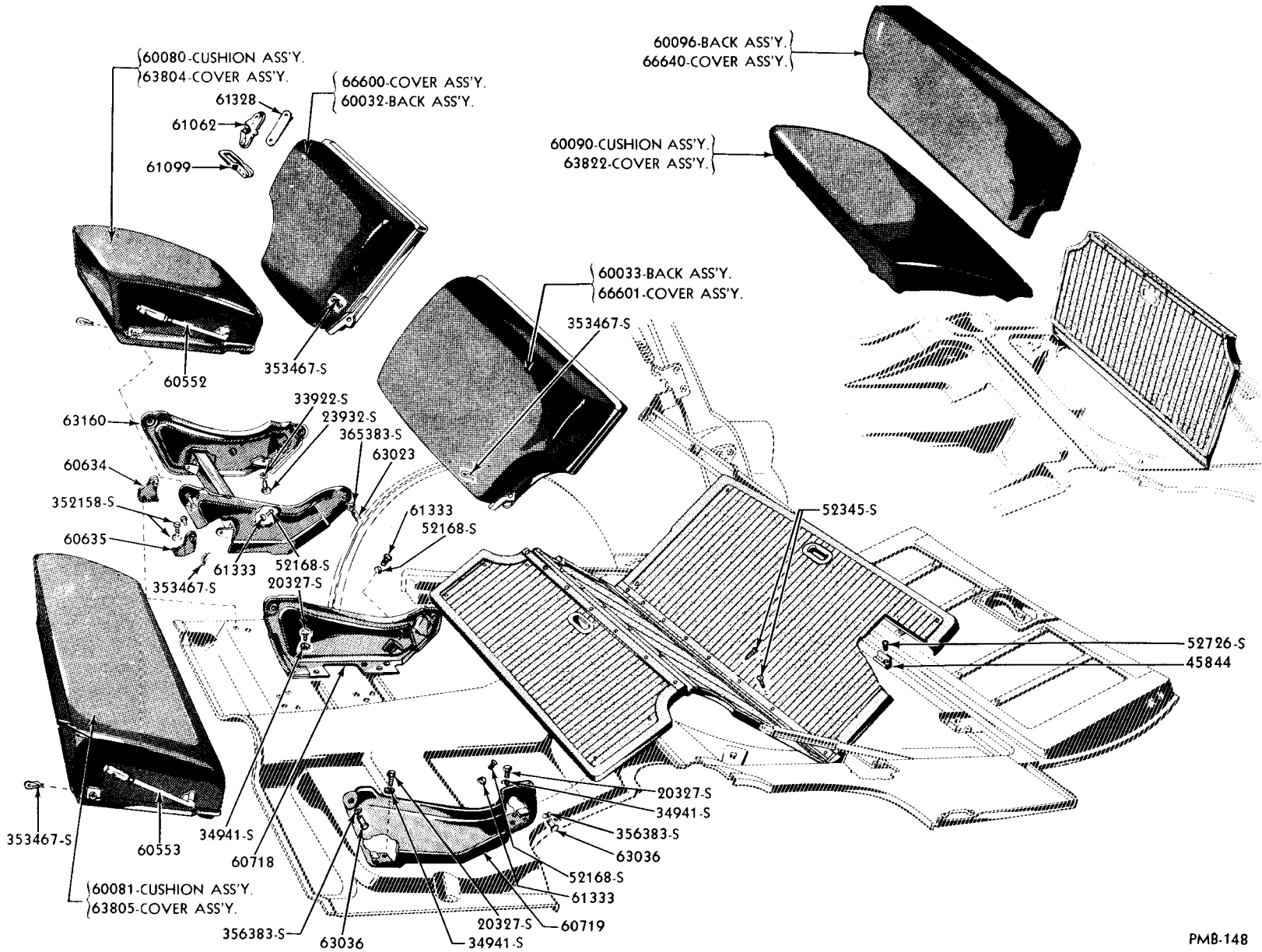
YEAR 19	BODY TYPES	REMARKS	PART NUMBER	NO. REQ'D
Group 60508 PANEL ASSEMBLY (RIGHT REAR SEAT BACK)-LESS COVER				
55	BV79B-79C	In Prime-Used on Jobs prior to 4-1-55	B5A 7960508-AP	1
55	BV79B-79C	In Prime-Used on Jobs effective 4-1-55	B5A 7960508-BP	1
55	BV79B-79C	Pin 7/16" dia. x 1" long with 3/32" dia. hole	BA 7963036-A	2
55	BV79B-79C	Pin (self locking)	353467-S8	2
55	BV79B-79C	Washer (spring three wave)-29/64"L D. x 3/4"O. D.	356383-S7	2
Group 60509 PANEL ASSEMBLY (LEFT REAR SEAT BACK)-LESS COVER				
55	BV79B-79C	In Prime	B5A 7960509-AP	1
55	BV79B-79C	Pin 7/16" dia. x 1" long with 3/32" dia. hole	BA 7963036-A	2
55	BV79B-79C	Pin (self locking)	353467-S8	2
55	BV79B-79C	Washer (spring three wave)-29/64"L D. x 3/4"O. D.	356383-S7	2
Group 60512 PANEL ASSEMBLY (RIGHT REAR SEAT CUSHION)				
55	BV79B-79C	In Prime	B5A 7960512-AP	1
55	BV79B-79C	Pin 7/16" dia. x 1" long with 3/32" dia. hole	BA 7963036-A	2
55	BV79B-79C	Pin (self locking)	353467-S8	2
55	BV79B-79C	Washer (spring three wave)-29/64"L D. x 3/4"O. D.	356383-S7	2
Group 60513 PANEL ASSEMBLY (LEFT REAR SEAT CUSHION)				
55	BV79B-79C		B5A 7960513-AP	1
55	BV79B-79C	Pin 7/16" dia. x 1" long with 3/32" dia. hole	BA 7963036-A	2
55	BV79B-79C	Pin (self locking)	353467-S8	2
55	BV79B-79C	Washer (spring three wave)-29/64"L D. x 3/4"O. D.	356383-S7	2
Group 60552-3 SUPPORT ASSEMBLY (REAR SEAT CUSHION FLOOR BOARD PANEL)				
55	BV79B-79C	R. H. -Steel	B5A 7960552-AP	1
55	BV79B-79C	L. H. -Steel	B5A 7960553-AP	1
Group 60566-7 BRACKET (REAR SEAT CUSHION FLOOR PANEL SUPPORT)				
55	BV79B-79C	R. H.	B5A 7960566-BP	1
55	BV79B-79C	L. H.	B5A 7960567-BP	1
Group 60575 CATCH (REAR SEAT BACK STOP)				
55	BV79B-79C	Steel	B5A 5960575-A	4
Group 60634-5 SUPPORT ASSEMBLY (RIGHT REAR SEAT CUSHION)				
55	BV79B-79C	R. H. -Steel	B5A 7960634-AP	1
55	BV79B-79C	L. H. -Steel	B5A 7960635-AP	1
55	BV79B-79C	Nut (retainer)-5/16"	353202-S	2
55	BV79B-79C	Screw (hex washer hd.)-5/16"-24 x 11/16"	352158-S2	2
55	BV79B-79C	Washer (spring three wave)-29/64"L D. x 3/4"O. D.	356383-S7	2



PMB-147

STATION WAGON SEAT BACK PANELS (3-PASSENGER)

Group numbers only shown on illustration. Order by Part Numbers shown in list of parts.



PMB-148

STATION WAGON SEATS

Group numbers only shown on illustration. Order by Part Numbers shown in list of parts.

MERCURY

BODY PARTS CATALOGUE

YEAR 19___	BODY TYPES	REMARKS	PART NUMBER	NO. REQ'D
Group 60638 RETAINER (REAR SEAT CUSHION PANEL SUPPORT TO FLOOR)				
55	BV79B-79C		BA 7960638-A	2
55	BV79B-79C	Screw (oval head cross recess tapping)-No. 8-15 x 1/2"	52344-S13	4
Group 60718-9 PANEL ASSEMBLY (LEFT REAR SEAT SUPPORT)				
55	BV79B-79C	R. H. -In Prime	B5A 7960718-CP	1
55	BV79B-79C	L. H. -In Prime	B5A 7960719-CP	1
55	BV79B-79C	Nut (retainer)-5/16"	353202-S	5
55	BV79B-79C	Screw (hex hd)-5/16"-24 x 5/8"	20327-S8	4or5
55	BV79B-79C	Washer (external tooth)-5/16"	34941-S7	4or5
Group 60728 FOOT (REAR SEAT CUSHION FLOORBOARD SUPPORT)				
55	BV79B-79C	Steel-1/2" (hex) x 1-1/8" long	BA 7960728-A	4
55	BV79B-79C	Nut (light hex jam)-3/8"-24	33925-S7	4
Group 60788-9 MOULDING (FRONT SEAT BACK)				
55	BV58A-73B-73C-79B-79C	Rustless Steel-approximately 3/4" x 51-11/16"	B5A 7360788-B	1
55	BV60B-60E-64A-64B-70B-76B	R. H. -Rustless Steel-approximately 3/4" x 24-19/32"	B5A 7060788-B	1
55	BV60B-60E-64A-64B-70B-76B	L. H. -Rustless Steel-approximately 3/4" x 24-19/32"	B5A 7060789-B	1
55	BV	Clip (trim)	358461-S3	10
Group 60922 BUMPER (AUXILIARY SEAT BACK FLOOR STOP)				
55	BV79B-79C	Rubber-height 27/64" O. D. 11/16"	B5A 7960922-A	3
Group 60928 HINGE ASSEMBLY (AUXILIARY SEAT BACK FLOORBOARD PANEL)				
55	BV79B-79C		B5A 7960928-AP	1
55	BV79B-79C	Screw (flat hd. cr. rec. tap.)-No. 10-12 x 5/8"	52018-S8	14
Group 60936 PROP ASSEMBLY (AUXILIARY SEAT BACK)-OUTER				
55	BV79B-79C	Steel-Zinc Plated	B5A 7960936-B	2
55	BV79B-79C	Screw (shoulder)-1/4"-20 x 15/32"	354445-S8	2
55	BV79B-79C	Washer (spring three wave)-21/64" x 9/16"	356600-S	2
Group 60940 PANEL ASSEMBLY (AUXILIARY SEAT BACK AND FLOORBOARD)-FRONT-LESS COVER				
55	BV79B-79C		B5A 7960940-AP	1

MERCURY

BODY PARTS CATALOGUE

YEAR 19____	BODY TYPES	REMARKS	PART NUMBER	NO. REQ'D
Group 60942 PANEL ASSEMBLY (AUXILIARY SEAT BACK AND FLOORBOARD)-REAR-LESS COVER				
55	BV79B-79C		B5A 7960942-BP	1
Group 60947 PROP (AUXILIARY SEAT BACK)-INNER				
55	BV79B-79C	Steel-Zinc Plated	B5A 7960947-A	2
55	BV79B-79C	Clip	B5A 7960955-A	1
55	BV79B-79C	Screw (shoulder)-1/4"-20 x 11/16"	354444-S8	1
55	BV79B-79C	Washer (flat)-5/16"	356303-S8	1
55	BV79B-79C	Washer (flat)-5/16"	356600-S	1
55	BV79B-79C	Washer (flat)-5/16"	352321-S8	1
Group 60955 CLIP (AUXILIARY SEAT BACK PROP)				
55	BV79B-79C	Steel-with 21/64" dia. hole	B5A 7960955-B	2
Group 60984 FOOT (RIGHT REAR SEAT CUSHION SUPPORT RAIL)				
55	BV79B-79C	Zinc Plated-approximately 6-3/8" across ends	B5A 7960984-A	1
55	BV79B-79C	Screw (pan hd. cr. rec.)-1/4"-20 x 3/4"	50828-S13	2
Group 61022 FRAME (RIGHT REAR SEAT BACK)-UPPER				
55	BV79B-79C	Chrome Finish-approximately 23/32" x 17-1/8"-channel depth 21/32"-with (3) 15/64" c/sunk holes	B5A 7961022-B	1
55	BV79B-79C	Screw (oval hd. cr. rec.)-No. 8-15 x 3/8"	52344-S13	3
Group 61023 FRAME (LEFT REAR SEAT BACK)-UPPER				
55	BV79B-79C	Chrome Finish-approximately 23/32" x 32-7/32"-channel depth 21/32"-with (4) 15/64" c/sunk holes	B5A 7961023-B	1
55	BV79B-79C	Screw (oval hd. cr. rec.)-No. 8-15 x 3/8"	52344-S13	4
Group 61062 STOP ASSEMBLY (REAR SEAT BACK)				
55	BV79B-79C		B5A 5961062-BP	2
55	BV79B-79C	Bolt (round hd.)-1/4"-20 x 3/8"	36802-S2	4
55	BV79B-79C	Washer (external tooth)-1/4"	34940-S2	4
Group 61064 STOP (FRONT SEAT BACK)				
55	BV60B-60E-64A-64B- 70B-76B	Nylon Plastic-1-1/8" dia. with (1)-1/4" dia. hole	B5A 7061064-A	2
55	BV60B-60E-64A-64B - 70B-76B	Screw (pan hd. cr. rec. tap.)-No. 10-16 x 1/2"	52787-S15	2

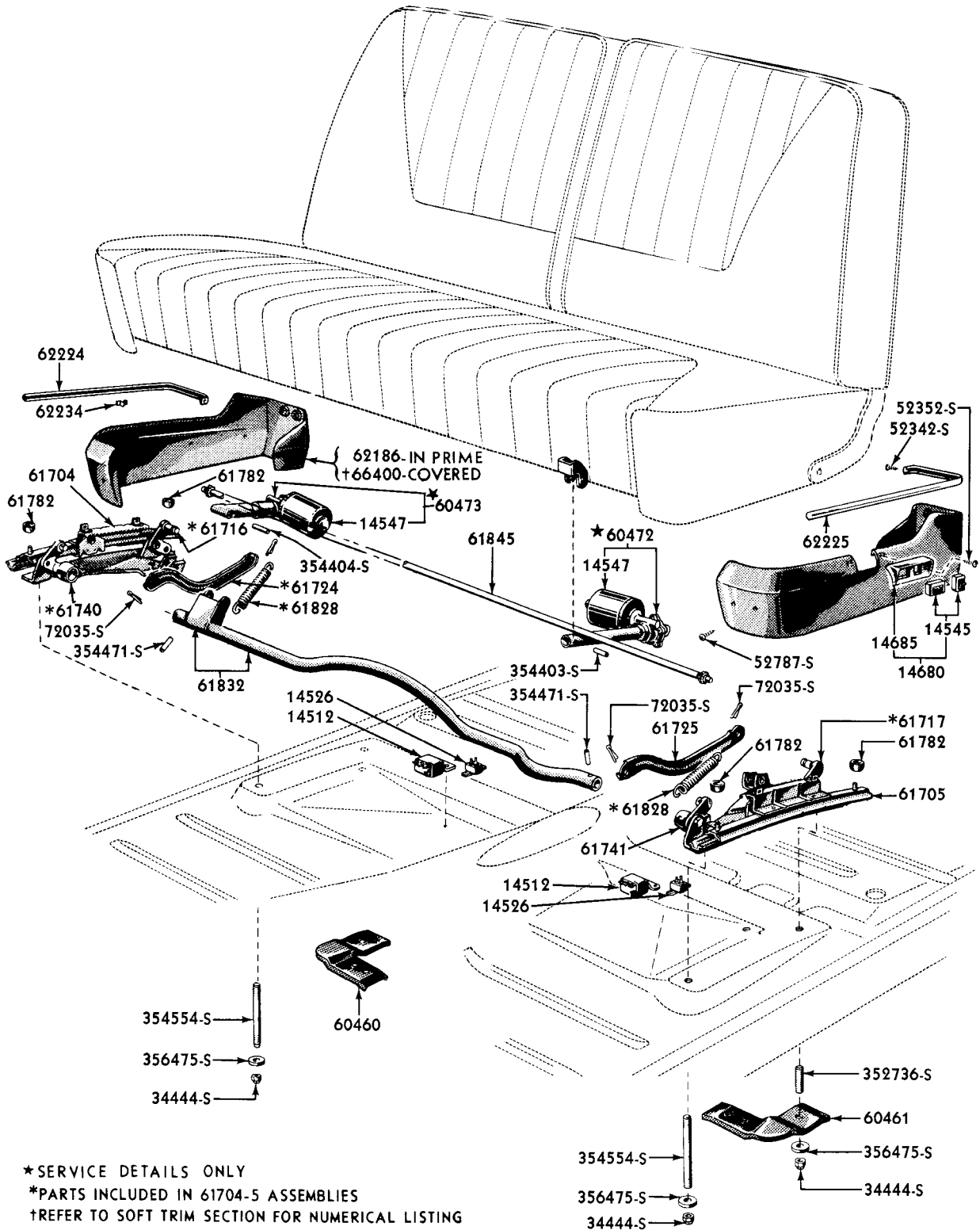
MERCURY

BODY PARTS CATALOGUE

YEAR 19__	BODY TYPES	REMARKS	PART NUMBER	NO. REQ'D
Group 61084 MOULDING ASSEMBLY (REAR SEAT BACK CENTER)-LESS MEDALLION				
55	BV58A-64A-64B	Chrome Finish-with 2-5/8" dia. hole for Medallion	BV 6461084-B	1
55	BV76B	Chrome Finish-with 2-5/8" dia. hole for Medallion	BV 7661084-A	1
		Attach Moulding To Bracket Assy Rear Seat Back Mldg. Mounting (61106) with the following:		
55	BV58A-64A-64B-76B	Nut (cold punched)-No. 10-24	34053-S8	2or4
55	BV58A-64A-64B-76B	Washer (internal tooth lock)-No. 10	34903-S8	2or4
		Attach Body and Socket Assy To Courtesy Lamp (13705) to Moulding with the following:		
55	BV58A-64A-64B	Nut (hex)-No. 8-32	34052-S8	3
55	BV58A-64A-64B	Lockwasher (spring)-No. 8	34802-S7	3
		Attach Moulding To Support Assy Rear Seat Back Moulding (62332) with the following:		
55	BV76B	Nut (hex)-No. 10-24	34053-S8	2
55	BV76B	Washer (flat)-No. 10	44713-S8	2
55	BV76B	Washer (external tooth lock)-No. 10	34939-S7	2
Group 61090 SPACER (REAR SEAT BACK STOP LOOP)				
55	BV79B-79C	Steel I. D. 3/8" x O. D. 9/16" x 9/16" length	ED-BN 5961090-A	4
Group 61099 LOOP (REAR SEAT BACK STOP)				
55	BV79B-79C	Chrome Finish	B5A 5961099-A	2
55	BV79B-79C	Chrome Finish-also serviced in repair kit MFK-7961099-A for cars built prior to June 1st	BA 7961099-A	2
55	BV79B-79C	Screw (rd. hd. cr. rec.)-No. 10-32 x 1/4"	50317-S13	4
55	BV79B-79C	Washer (internal tooth lock)-No. 10	34903-S8	4
Group 61099 KIT (ANTI-RATTLE)-REAR SEAT BACK				
55	BV79B-79C		MFK 7961099-A	1
		Consists of the following:		
	(2) BA 5961062-BP	Stop Assy	(2) BA 5961328-A	Anchor Plate
	(2) ED-BN 5961090-A	Spacer	(4) 50858-S13	Screw & Washer Assy
	(2) BA 7961099-A	Loop	(4) 50632-S8	Screw & Washer Assy
Group 61106 BRACKET ASSEMBLY (REAR SEAT BACK MOULDING MOUNTING)				
55	BV58A-64A-64B		B5A 6461106-A	1
55	BV76B		BV 7661106-A	1
		Attach Bracket To Moulding Assy Rear Seat Back (61084) with the following:		
55	BV58A-64A-64B-76B	Nut (cold punched)-No. 10-24	34053-S8	2or4
55	BV58A-64A-64B-76B	Washer (internal tooth lock)-No. 10	34903-S8	2or4
Group 61144-5 COVER (MOULDING ROOF SIDE INNER REAR)-REAR JOINT				
55	BV64A-64B	R. H. -Chrome Finish	BV 6461144-A	1
55	BV64A-64B	L. H. -Chrome Finish	BV 6461145-A	1

MERCURY

BODY PARTS CATALOGUE



*SERVICE DETAILS ONLY
 *PARTS INCLUDED IN 61704-S ASSEMBLIES
 †REFER TO SOFT TRIM SECTION FOR NUMERICAL LISTING

354554-S
 356475-S
 34444-S

352736-S
 60461
 356475-S
 34444-S

4-WAY ELECTRIC SEAT MECHANISM

Group numbers only shown on illustration. Order by Part Numbers shown in list of parts.

MERCURY

BODY PARTS CATALOGUE

YEAR 19	BODY TYPES	REMARKS	PART NUMBER	NO. REQ'D
Group 61182 SCUFF PLATE (FRONT SEAT BACK FRAME)-INNER				
55	BV60B-60E-64A-64B-70B-76B	Fibre-13/32"L D. x 1-7/8"O. D. x 1/16"	8A 7061182	2
Group 61194-5 FILLER (REAR SEAT BACK)-TOP				
55	BV76B	R. H. -Asbestos Fiber-approximate length 22-7/16"	BV 7661194-A	1
55	BV76B	L. H. -Asbestos Fiber-approximate length 22-7/16"	BV 7661195-A	1
Group 61328 PLATE ASSEMBLY (REAR SEAT BACK STOP ANCHOR)				
55	BV79B-79C		B5A 5961328-A	2
Group 61333 BUMPER (REAR SEAT BACK)				
55	BV79B-79C	Rubber	OA 7961333	4
55	BV79B-79C	Screw (rd. hd. cr. rec. tap.)-No. 8-15 x 3/8"	52168-S8	2
Group 61704-5 TRACK ASSEMBLY (FRONT SEAT)				
55	BV58A-64A-64B-76B	R. H. -Manual Control	BV 6461704-B	1
55	BV58A-64A-64B-76B	L. H. -Manual Control	BV 6461705-A	1
55	BV60B-60E-70B-73B-73C	R. H. -Manual Control	BV 7061704-B	1
55	BV60B-60E-70B-73B-73C	L. H. -Manual Control	BV 7061705-B	1
55	BV79B-79C	R. H. -Manual Control	B6A 7061704-A	1
55	BV79B-79C	L. H. -Manual Control	B6A 7061705-A	1
55	BV	R. H. -Electric Control 4-Way	B5A 7061704-E	1
55	BV	L. H. -Electric Control 4-Way	B5A 7061705-E	1
Attach To Floor Pan (11135)-with following:				
55	BV	Nut (light thick lock)-3/8"-16	34444-S8	2
55	BV	Stud 3/8"-16 x 1-3/4"	352736-S	1
55	BV	Stud 3/8"-16 x 5-5/8"	354554-S	1
55	BV	Washer (flat)-3/8"	356475-S8	2
Group 61716-7 ARM (FRONT SEAT TRACK ACTUATING)-REAR				
55	BV	R. H. -Electric Control 4-Way	B5A 7061716-B	1
55	BV	L. H. -Electric Control 4-Way	B5A 7061717-B	1
55	BV	Bolt (hex shoulder)-3/8"-24 x 5/8"	353903-S8	1
55	BV	Pin (cotter)-1/8" x 1"	72035-S8	1
Group 61724-5 LINK (FRONT SEAT TRACK DRIVE)				
55	BV	R. H. -Electric Control 4-Way	B5A 7061724-B	1
55	BV	L. H. -Electric Control 4-Way	B5A 7061725-B	1
55	BV	Pin (cotter)-1/8" x 1"	72035-S8	2
Group 61726 ROD (FRONT SEAT TRACK TIE)				
55	BV	Approximate length 25-1/2"-Manual Control	B5A 7061726-B	2

MERCURY

BODY PARTS CATALOGUE

YEAR 19__	BODY TYPES	REMARKS	PART NUMBER	NO. REQ'D
Group 61730 EYE BOLT (FRONT SEAT TRACK TIE ROD)				
55	BV	Steel-No. 8-32 x 9/64" dia. length threaded 1-1/4" Manual Control	BA 7061730-A	1
55	BV	Nut (hex-lock)-No. 8-32	34052-S7	2
55	BV	Pin (cotter)-1/8" x 1"	72035-S8	1
Group 61740-1 ARM (FRONT SEAT TRACK ACTUATING)-FRONT				
55	BV	R. H. -Used on Electric Control 4-Way Seat	B5A 7061740-B	1
55	BV	L. H. -Used on Electric Control 4-Way Seat	B5A 7061741-B	1
Attach To Track Assy (61704-5)-with following:				
55	BV	Bolt (hex hd. shoulder)-3/8"-24 x 5/8"	353903-S8	1
55	BV	Nut (lock)-5/16"-24	34393-S7	1
55	BV	Washer (flat)-5/16"	44722-S8	1
Group 61744 LINK (FRONT SEAT TRACK TIE ROD)				
55	BV	Steel-3/32" dia. - Manual Control	BA 7061744-A	1
Group 61755 HANDLE ASSEMBLY (FRONT SEAT TRACK ADJUSTING)				
55	BV	Chrome Finish-Manual Control	BV 7061755-A	1
55	BV	Pin-3/32" dia.	353880-S7	2
Group 61782 SPACER (FRONT SEAT TRACK UPPER TO CUSHION FRAME SUPPORT)				
55	BV	Steel approximate dia. 1-3/32" with 3/8" dia. hole	B5A 7061782-B	4
Group 61789 ESCUTCHEON (FRONT SEAT ADJUSTING LEVER)				
55	BV58A-60B-64A-64B-73C-76B-79C	Rustless Steel-Oval	BV 7361789-A	1
55	BV58A-60B-64A-64B-73C-76B-79C	Rustless Steel-Rectangular	BV 7361789-B	1
Group 61828 SPRING (FRONT SEAT TRACK ASSIST)				
55	BV	46 Coils-approximate free length 7-17/64"-Used with Manual Control Seat	B5A 7061828-A	2
55	BV	36 Coils-approximate free length 8-3/8"-Used with Electric Control 4-Way Seat	B5A 7061828-C	2
Group 61832 BAR ASSEMBLY (FRONT SEAT TRACK EQUALIZING)-VERTICAL				
55	BV	Electric Control 4-Way Seat	B5A 7061832-C	1
55	BV	Pin-1/4" x 1-1/2"	354471-S7	2
Group 61845 BAR (FRONT SEAT TRACK EQUALIZING)-HORIZONTAL				
55	BV	Approximate length 46-7/64" with gear each end-used with Electric Control 4-Way Seat	B5A 7061845-A	1

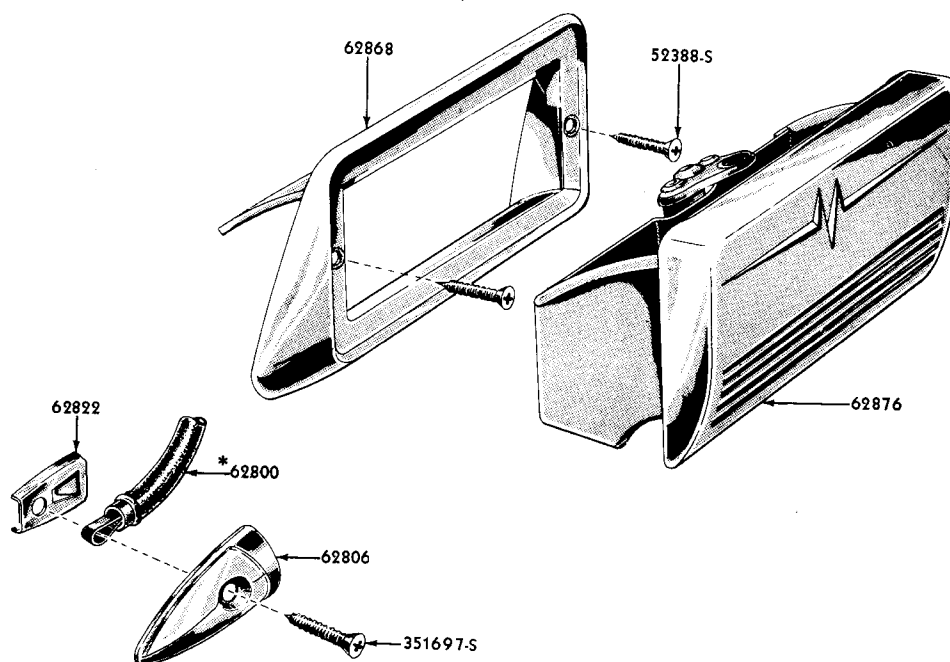
MERCURY

BODY PARTS CATALOGUE

YEAR 19	BODY TYPES	REMARKS	PART NUMBER	NO. REQ'D
Group 61883 SPRING (FRONT SEAT TRACK LATCH)				
55	BV	Free length approximately 31/32" (11-1/2 coils) Manual Control Seat	B5A 7061883-B	2
55	BV	Free length approximately 1-29/64" (14 coils) Manual Control Seat-used on cars built after June 30, 1955	B6A 7061883-A	2
Group 62186-7 SHIELD (FRONT SEAT CUSHION)-SIDE				
55	BV60E-70B-73B-79B	R. H. -Steel-In Prime-Manual Control Seat	BV 7062186-AP	1
55	BV60E-70B-73B-79B	L. H. -Steel-In Prime-Manual Control Seat	B5A 7062187-AP	1
55	BV60E-70B-73B-79B	R. H. -Steel-In Prime-Electric Control 4-Way Seat	BV 7062186-BP	1
55	BV60E-70B-73B-79B	L. H. -Steel-In Prime-Electric Control 4-Way Seat	BV 7062187-BP	1
55	BV60E-70B-73B-79B	Screw (pan hd. cr. rec. tap.)-No. 10-16 x 1/2"	52787-S15	2
		Note-For covered shields refer to soft trim section-(Group 66400-1)		
Group 62198-9 EXTENSION (FRONT SEAT CUSHION SIDE SHIELD)				
55	BV60E-70B-73B-79B	R. H. -Steel-In Prime-Electric Control 4-Way Seat-Use with Side Shield BV-7062186-BP	B5A 7062198-AP	1
55	BV60E-70B-73B-79B	L. H. -Steel-In Prime-Electric Control 4-Way Seat-Use with Side Shield BV-7062187-BP	B5A 7062199-AP	1
55	BV60E-70B-73B-79B	Screw (pan hd. cr. rec. tap.)-No. 10-16 x 1/2"	52787-S15	2
Group 62224-5 MOULDING (FRONT SEAT CUSHION SIDE SHIELD)				
55	BU58A-60B-64A-64B-73C-76B-79C	R. H. -Rustless Steel-approximately 5/8" x 23-43/64" developed length-Use with Manual Control Seat	BV 7362224-A	1
55	BU58A-60B-64A-64B-73C-76B-79C	L. H. -Rustless Steel-approximately 5/8" x 23-43/64" developed length-Use with Manual Control Seat	BV 7362225-A	1
55	BV58A-60B-64A-64B-73C-76B-79C	R. H. -Rustless Steel-approximately 5/8" x 25-55/64" developed length-Use with 4-Way Electric Control Seat	BV 7362224-B	1
55	BV58A-60B-64A-64B-73C-76B-79C	L. H. -Rustless Steel-approximately 5/8" x 25-55/64" developed length-Use with 4-Way Electric Control Seat	BV 7362225-B	1
55	BV58A-60B-64A-64B-73C-76B-79C	Retainer-1/2" x 29/32" with 9/32" Dia. hole	BV 7362234-A	5
55	BV58A-60B-64A-64B-73C-76B-79C	Screw (oval hd. cr. rec.)-No. 6-18 x 5/8"	52350-S13	1
Group 62234 RETAINER (FRONT SEAT SIDE SHIELD MOULDING)				
55	BV58A-60B-64A-64B-73C-76B-79C	Steel-approximately 1/2" x 29/32" with 9/32" dia. hole	BV 7362234-A	10
Group 62332 SUPPORT ASSEMBLY (REAR SEAT BACK MOULDING)				
55	BV76B	Steel	BV 7662332-A	1

MERCURY

BODY PARTS CATALOGUE



*REFER TO SOFT TRIM SECTION

PMB-37

ROBE CORD AND ASH RECEPTACLE (FRONT SEAT BACK)

Group numbers only shown on illustration. Order by Part Numbers shown in list of parts.

YEAR 19	BODY TYPES	REMARKS	PART NUMBER	NO. REQ'D
Group 62806 COVER (ROBE CORD END)				
55	BV58A-73B-73C-79B-79C	Chrome Finish	BF 7362806-A	2
55	BV58A-73B-73C-79B-79C	Screw (cross recessed oval head)-1/4"-20 x 1-3/8"	351697-S13	2
Group 62822 RETAINER (ROBE CORD END COVER)				
55	BV58A-73B-73C-79B-79C		BV 7362822-A	2
Group 62844 KNOB AND ELEMENT ASSEMBLY (R. H. QUARTER ARM REST AND FRONT SEAT BACK)				
55	BV58A-64A-64B-76B	Used on Front Seat Back Model 58A only-on Quarter Arm Rest Models 64A-64B-76B	FAA 7362844-A	1
Group 62868 RETAINER ASSEMBLY (FRONT SEAT BACK ASH RECEPTACLE)				
55	BV58A		BD 6062868-B	1
55	BV60B-60E-70B	Chrome Finish	BV 7062868-A	2
55	BV73B-73C-79B-79C	Chrome Finish	B5A 7362868-A	1
55	BV60B-60E-70B-73B-73C-79B-79C	Screw (oval hd. cr. rec. tap.)-No. 8-15 x 1-1/2"	52388-S13	2

MERCURY

BODY PARTS CATALOGUE

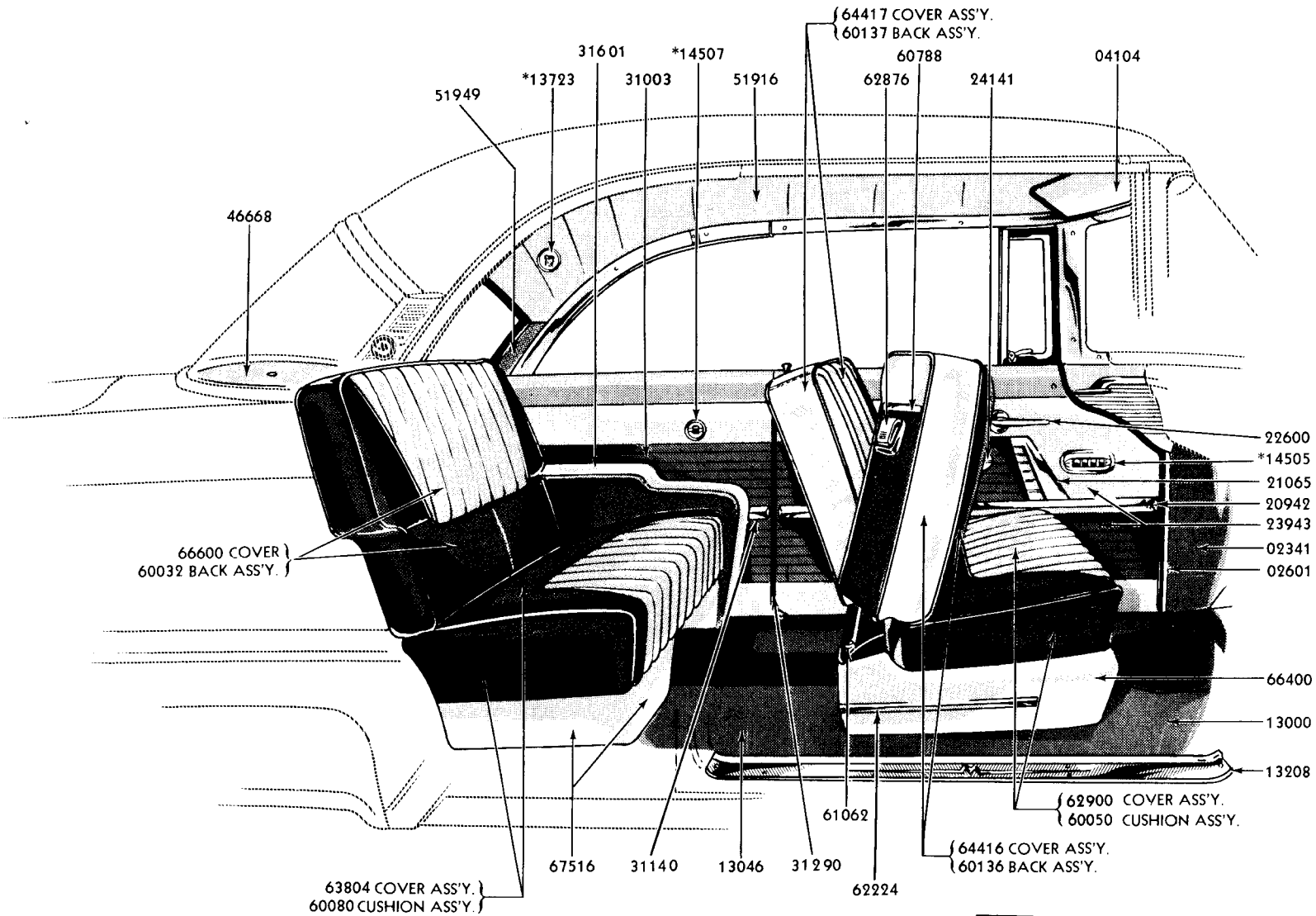
YEAR 19___	BODY TYPES	REMARKS	PART NUMBER	NO. REQ'D
Group 62876 RECEPTACLE ASSEMBLY (FRONT SEAT BACK AND QUARTER ASH)				
55	BV60B-60E-70B	Chrome Finish	BV 7362876-B	2
55	BV73B-73C-79B-79C	Chrome Finish	BV 7362876-B	1
Group 62878 HANDLE (FRONT SEAT BACK ASH RECEPTACLE COVER)				
55	BV58A	Chrome Finish	1L 7262878	1
Group 62896 BOX AND SNUFFER ASSEMBLY (FRONT SEAT BACK ASH RECEPTACLE)				
55	BV58A		8H 7262896	1
Group 63008-9 BRACKET ASSEMBLY (AUXILIARY SEAT BACK HINGE)				
55	BV79B-79C	R. H.	B5A 7963008-B	1
55	BV79B-79C	L. H.	B5A 7963009-B	1
55	BV79B-79C	Bolt (hex hd)-1/4"-20 x 5/8"	20324-S8	2
55	BV79B-79C	Washer (special internal tooth lock)-1/4"	351274-S7	2
Group 63036 PIN (RIGHT REAR SEATBACK PIVOT)				
55	BV79B-79C	Flat head-approximately 7/16" dia. x 1" with 3/32" diameter hole	BA 7963036-A	10
Group 63160 FRAME ASSEMBLY (RIGHT REAR SEAT CUSHION TUBULAR)				
55	BV79B-79C	In Prime	B5A 7963160-CP	1
55	BV79B-79C	Nut (clinch)-3/8"-24	34283-S8	1
Group 63520 RETAINER (SEAT TRIM STRAP)				
55	BV60E-70B-73B-79B	Fibre-1" dia. x 1/16" thick with 13/16" dia. hole	BS 7363520-A	as req'd
Group 67210 LINK AND VERTICAL STRAINER ASSEMBLY (REAR SEAT BACK CENTER ARM REST)				
55	BV58A-64A-64B-76B	Attach to Bracket to Center Arm Rest and Strainer to Floor	B5A 7667210-C	1
55	BV76B	Bolt (hex hd)-1/4"-20 x 5/8"	20324-S8	2
55	BV76B	Nut (hex)-1/4"-20	33795-S8	2
55	BV76B	Washer (spring lock)-1/4"	34805-S7	2
55	BV76B	Washer (flat)-1/4"	44720-S8	2
Attach to Support Rear Seat Back Moulding				
55	BV76B	Bolt (hex hd)-1/4"-20 x 5/8"	20324-S8	2
55	BV76B	Nut (hex)-1/4"-20	33795-S8	2
55	BV76B	Washer (spring lock)-1/4"	34805-S7	2
Attach to Rear Seat Back Center Arm Rest Base				
55	BV58A-64A-64B-76B	Screw and Washer Assy (hex hd)-5/16"-18 x 3/4"	42789-S8	4
55	BV58A-64A-64B-76B	Washer (flat)-5/16"	44722-S8	4
Attach to Reinforcement Assy-Rear Seat Back Center Arm Rest Strainer				
55	BV58A-64A-64B	Screw and Washer Assy (hex hd)-1/4"-20 x 5/8"	43263-S8	4



Soft

Trim

SECTION



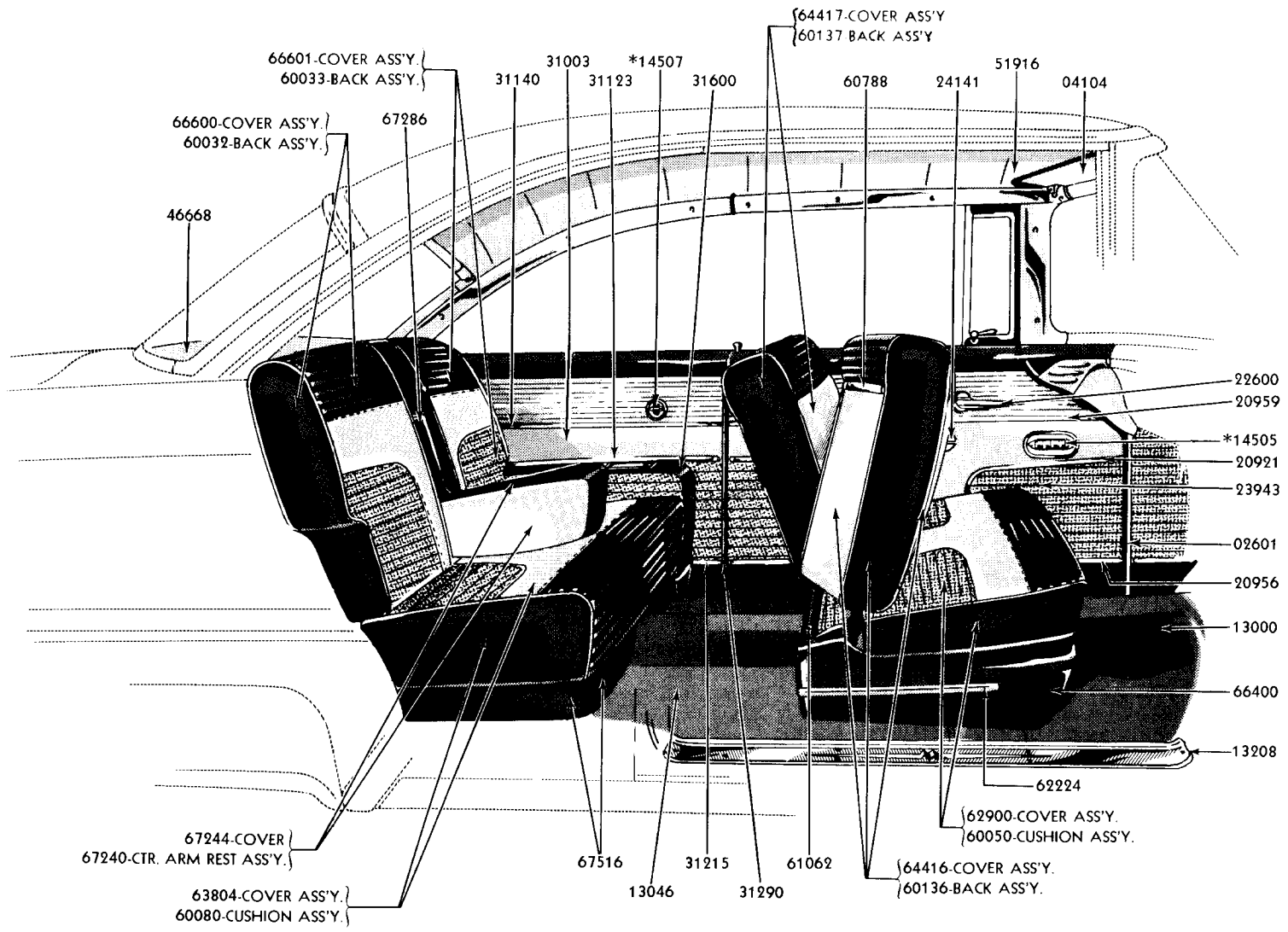
1955

*FOR ADDITIONAL INFORMATION REFER TO CHASSIS PARTS CATALOGUE.

PMB-27

INTERIOR VIEW (BODY TYPE 60B)

Group numbers only shown on illustration. Order by Part Numbers shown in list of parts.



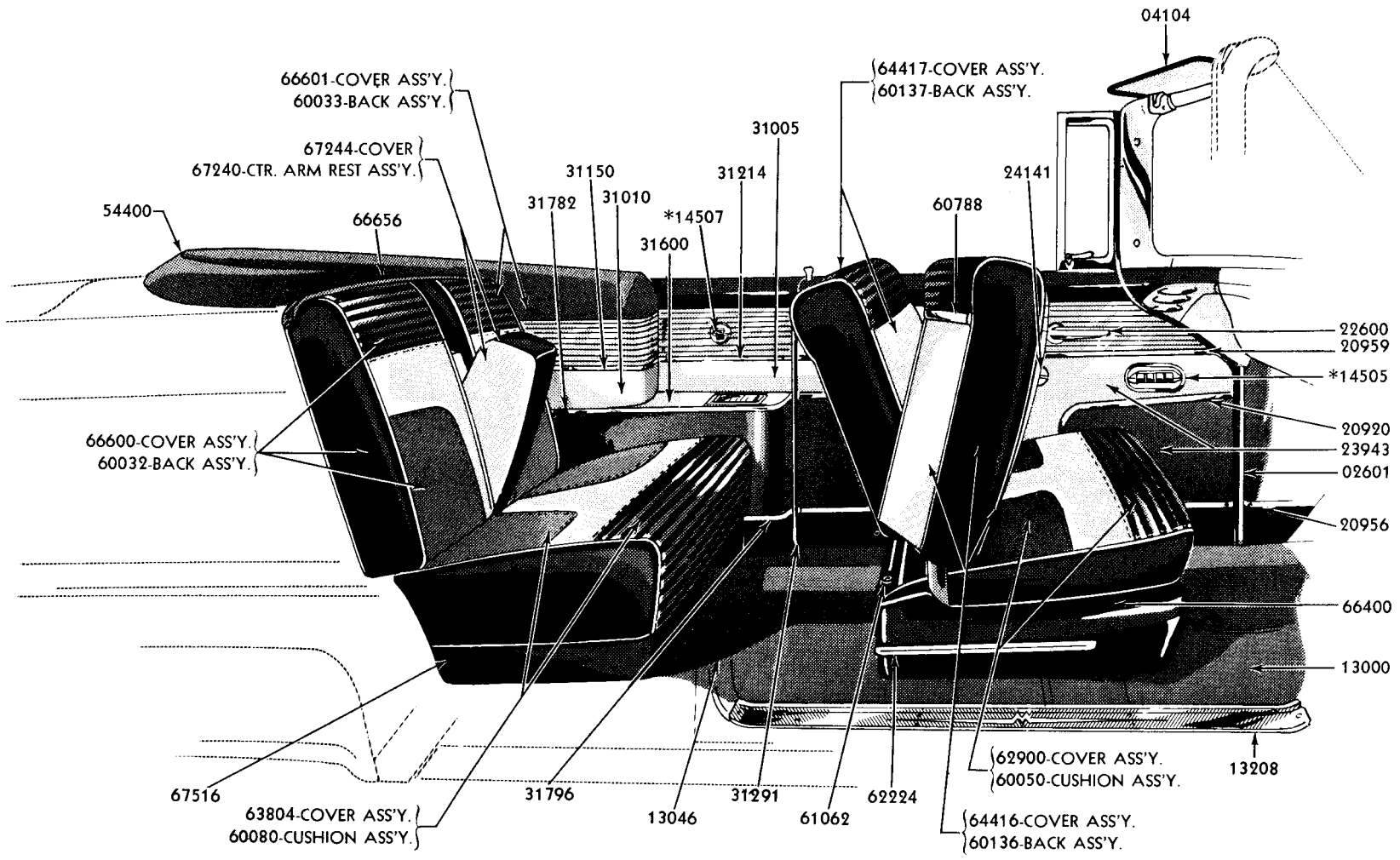
*FOR ADDITIONAL INFORMATION REFER TO CHASSIS PARTS CATALOGUE.

1955

PMB-34

INTERIOR VIEW (BODY TYPE 64A)

Group numbers only shown on illustration. Order by Part Numbers shown in list of parts.

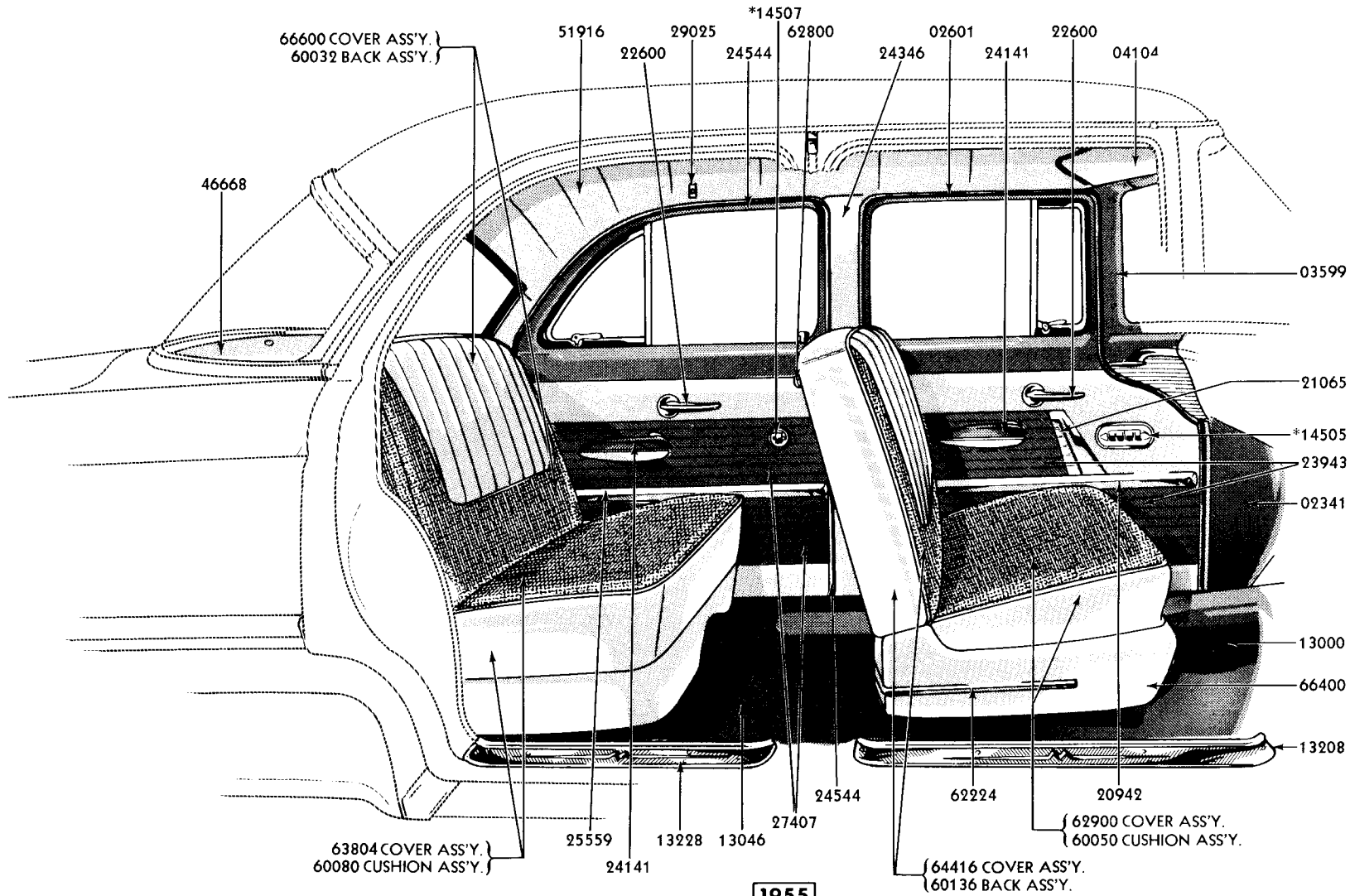


1955

*FOR ADDITIONAL INFORMATION REFER TO CHASSIS PARTS CATALOGUE.

PMB-46

CONVERTIBLE COUPE INTERIOR VIEW (BODY TYPE 76B)
 Group numbers only shown on illustration. Order by Part Numbers shown in list of parts.



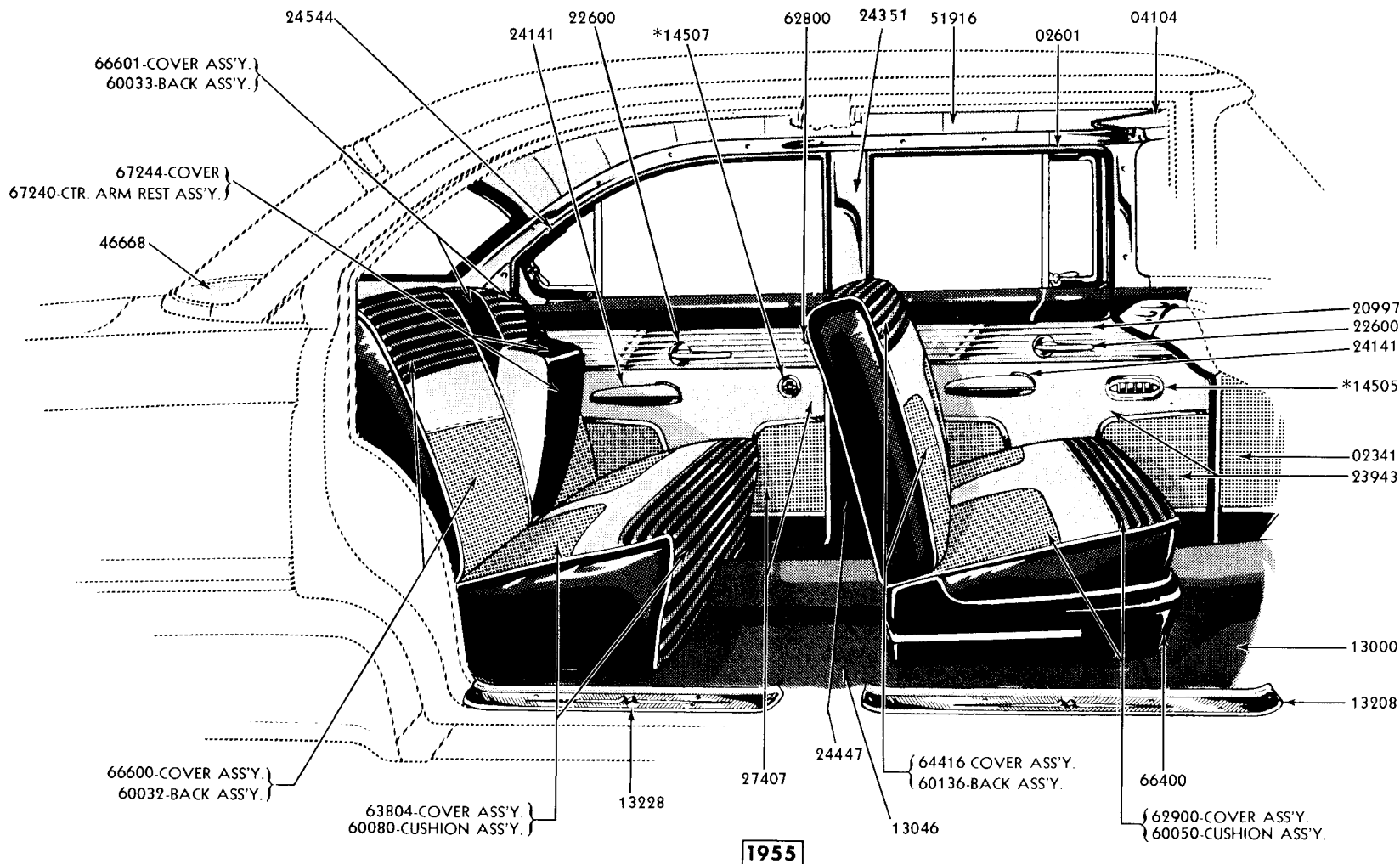
*FOR ADDITIONAL INFORMATION REFER TO CHASSIS PARTS CATALOGUE.

1955

PMB-16

FOUR DOOR SEDAN INTERIOR VIEW (BODY TYPE 73C)

Group numbers only shown on illustration. Order by Part Numbers shown in list of parts.



INTERIOR VIEW (BODY TYPE 58)

Group numbers only shown on illustration. Order by Part Numbers shown in list of parts.

PMB-56



Group 02600-1

WINDLACE ASSEMBLY (FRONT BODY PILLAR AND DOOR OPENING) -continued

BODY TYPES	R.H. & L.H. NOTES	PART NUMBER LESS SUFFIX	TRIM CODES -continued																				NO. REQ'D					
			565	568	568A	569	569B	570	571	572	573	574	583	584	585	585A	586	587	588	589	590	591		591A	591B	592	592B	
			PART NUMBER SUFFIXES																									
BV58A	R.H.	BV 5802600										AAB	AAB	AAB	AAB	AAY		AAZ	ABA					AAY			AAZ	1
BV58A	L.H.	BV 5802601										AAB	AAB	AAB	AAB	AAY		AAZ	ABA					AAY			AAZ	1
BV60B	R.H.	BV 6002600	CM	CBH					ABG	CBN																		1
BV60B	L.H.	BV 6002601	CM	CBH					ABG	CBN																		1
BV60B	R.H.	BV 6002600	#DM	#DBH					#BBG	#DBN																		1
BV60B	L.H.	BV 6002601	#DM	#DBH					#BBG	#DBN																		1
BV60E	R.H.	BV 6002600				#DA																						1
BV60E	L.H.	BV 6002601				#DA																						1
BV64A-64B	R.H.	BV 6402600									CAB	CAB	CAB	CAB	CAR		CAE	CAF					CAR			CAE	1	
BV64A-64B	L.H.	BV 6402601									CAB	CAB	CAB	CAB	CAR		CAE	CAF					CAR			CAE	1	
BV64A-64B	R.H.	BV 6402600									#DAB	#DAB	#DAB	#DAB	#DAR		#DAE	#DAF				#DAR			#DAE	1		
BV64A-64B	L.H.	BV 6402601									#DAB	#DAB	#DAB	#DAB	#DAR		#DAE	#DAF				#DAR			#DAE	1		
BV70B		BV 7002600				BA		AY																				2
BV73B		BV 7302600				BA		AY																				2
BV76B	R.H.	BV 7602600									BAB	BAB											BAY			BAE	1	
BV76B	L.H.	BV 7602601									BAB	BAB											BAY			BAE	1	
BV79B		BV 7302600																			AG	AC						2
BV79B		BV 7902600																			AAU							2
BV79C		BV 7902600																					AAU			AAZ	2	
BODY TYPES	R.H. & L.H. NOTES	PART NUMBER LESS SUFFIX	TRIM CODES -continued																				NO. REQ'D					
			593	593B																								
			PART NUMBER SUFFIXES																									
BV58A	R.H.	BV 5802600	ABA																									1
BV58A	L.H.	BV 5802601	ABA																									1
BV64A-64B	R.H.	BV 6402600	CAF																									1
BV64A-64B	L.H.	BV 6402601	CAF																									1
BV64A-64B	R.H.	BV 6402600	#DAF																									1
BV64A-64B	L.H.	BV 6402601	#DAF																									1
BV76B	R.H.	BV 7602600	BAF																									1
BV76B	L.H.	BV 7602601	BAF																									1
BV79C		BV 7902600	ABA																									2
BV except 64B		B5A-7002614-A	Retainer																				as req'd					
BV		51855-S8	Screw (pan head cross recess)-No.8-32 x 3/8																				as req'd					

Approximate length 36 1/4"

Group 04104

VISOR ASSEMBLY (LESS ARM AND BRACKET)

BODY TYPES	R.H. & L.H. NOTES	PART NUMBER LESS SUFFIX	TRIM CODES																								NO. REQ'D	
			451A	453A	453B	454A	454B	552	552A	552B	553	553A	553B	554	555	556	556A	557	558	559	560	560A	561	562	563	564		
			PART NUMBER SUFFIXES																									
BV60B		BV 6004104																		ABJ	ABH		ABG		AN		2	
BV60B-73C		BV 7304104																					AM			BR	2	
BV60E-70B-73B		ED-BV 7004104	AA	AB		AC		BB		AC																	2	
BV73C		BV 7304104											ABB	ABD	ABE		AJ	ABC									2	
BODY TYPES	R.H. & L.H. NOTES	PART NUMBER LESS SUFFIX	TRIM CODES -continued																								NO. REQ'D	
			565	568	568A	569	569B	570	571	572	573	574	583	584	585	585A	586	587	588	589	590	591	591A	591B	592	592B		
			PART NUMBER SUFFIXES																									
BV60B		BV 6004104	ABL	ABH					ABG	AAA																	2	
BV60E-70B-73B		BV 7004104				BA																					2	
BV58A-64A-64B		BV 6404104								AAB	AAC	AAB	AAC	AAY		AAS	AAT				AAY			AAS			2	
BV70B-73B		BV 7004104					AY																				2	
BV76B		BV 7604104							BAB	BAC											BAY			BAE			2	
BV79B		BV 7904104																	BAU	AAV	AAZ						2	
BV79C		BV 7904104																			BAU			AAZ			2	
BODY TYPES	R.H. & L.H. NOTES	PART NUMBER LESS SUFFIX	TRIM CODES -continued																								NO. REQ'D	
			593	593B																								
			PART NUMBER SUFFIXES																									
BV58A-64A-64B		BV 6404104	AAT																								2	
BV76B		BV 7604104	BAF																								2	
BV79C		BV 7904104	ABA																								2	

Group 13000

MAT ASSEMBLY (FRONT FLOOR)-COMPLETE -RUBBER

BODY TYPES	R.H. & L.H. NOTES	PART NUMBER LESS SUFFIX	TRIM CODES																								NO. REQ'D
			451A	453A	453B	454A	454B	552	552A	552B	553	553A	553B	554	555	556	556A	557	558	559	560	560A	561	562	563	564	
			PART NUMBER SUFFIXES																								
BV60E-70B-73B		BV 7013000	CA	CX				CX																			1
BV60E-70B-73B		BV 7913000				DAX				DAX																	1
BODY TYPES	R.H. & L.H. NOTES	PART NUMBER LESS SUFFIX	TRIM CODES -continued																								NO. REQ'D
			565	568	568A	569	569B	570	571	572	573	574	583	584	585	585A	586	587	588	589	590	591	591A	591B	592	592B	
			PART NUMBER SUFFIXES																								
BV60E-70B-73B		BV 7013000				CA																					1
BV70B-73B		BV 7013000					CY																				1
BV79B		BV 7913000																	CAU	CAV	EAX						1
BV79C		BV 7913000																				AAZ					1

Continued on next page

BODY PARTS CATALOGUE



Group 13000

MAT ASSEMBLY (FRONT FLOOR)- COMPLETE -RUBBER

BODY TYPES	R.H. & L.H. NOTES	PART NUMBER LESS SUFFIX	TRIM CODES -continued																								NO. REQ'D	
			593	593B																								
			PART NUMBER SUFFIXES																									
BV79C		BV 7913000	BBA																								1	

Group 13000

CARPET AND PAD ASSEMBLY (FRONT FLOOR)

BODY TYPES	R.H. & L.H. NOTES	PART NUMBER LESS SUFFIX	TRIM CODES																								NO. REQ'D
			451A	453A	453B	454A	454B	552	552A	552B	553	553A	553B	554	555	556	556A	557	558	559	560	560A	561	562	563	564	
			PART NUMBER SUFFIXES																								
BV60B		BV 7313000																		AD	AF				AD		1
BV60B		BV 7613000																				AAB	AAB				1
BV60B-73C		BV 6013000																							AR		1
BV60B-73C		BV 7313000																						AG			1
BV73C		BV 7313000											AD	AG	AF		AJ										1
BV73C		BV 7613000														AAB		AAB									1

BODY TYPES	R.H. & L.H. NOTES	PART NUMBER LESS SUFFIX	TRIM CODES -continued																								NO. REQ'D
			565	568	568A	569	569B	570	571	572	573	574	583	584	585	585A	586	587	588	589	590	591	591A	591B	592	592B	
			PART NUMBER SUFFIXES																								
BV58A-64A-64B		BV 7313000															AF		AG								1
BV58A-64A-64B		BV 7613000											AAB	AAB		AAB											1
BV58A-64A-64B-76B		BV 7613000											AAB	AAB													1
BV58A-64A-64B		BV 7913000																	ABA								1
BV58A-64A-64B-76B		BV 7613000																					AAB				1
BV58A-64A-64B-76B-79C		BV 7313000																				AF			AG		1
BV60B		BV 7313000	AG	AF						AJ																	1
BV60B		BV 7613000			AAB					AAB																	1

BODY TYPES	R.H. & L.H. NOTES	PART NUMBER LESS SUFFIX	TRIM CODES -continued																								NO. REQ'D		
			593	593B																									
			PART NUMBER SUFFIXES																										
BV58A-64A-64B-76B-79C		BV 7913000	ABA																								1		
BV except 79C		95568-38	Grommet #5																						1				
BV		353501-S15	Screw (oval head cross recess) No.6-18 x 1 1/4																						8				
BV		353384-S15	Washer (finish)-No.6																						6				

Group 13040

MAT ASSEMBLY (AUXILIARY FLOOR)-RUBBER

BODY TYPES	R.H. & L.H. NOTES	PART NUMBER LESS SUFFIX	TRIM CODES																								NO. REQ'D
			565	568	568A	569	569B	570	571	572	573	574	583	584	585	585A	586	587	588	589	590	591	591A	591B	592	592B	
PART NUMBER SUFFIXES																											
BV79B		BV 7913040																		AAU	AAV	BAX					1
BV79C		BV 7913040																				BAY			BAZ		1
BODY TYPES	R.H. & L.H. NOTES	PART NUMBER LESS SUFFIX	TRIM CODES -continued																								NO. REQ'D
			593	593B																							
PART NUMBER SUFFIXES																											
BV79C		BV 7913040	BBA																								1
BV79B		353501-815	Screw (oval head cross recess)-No.6-18 x 1 1/4																								15
BV79B		353384-815	Washer (finish)-No.6																								15

Group 13040

CARPET AND PAD ASSEMBLY (AUXILIARY FLOOR)

BODY TYPES	R.H. & L.H. NOTES	PART NUMBER LESS SUFFIX	TRIM CODES																								NO. REQ'D
			565	568	568A	569	569B	570	571	572	573	574	583	584	585	585A	586	587	588	589	590	591	591A	591B	592	592B	
PART NUMBER SUFFIXES																											
BV79C		BV 7913040																			AAZ						1
BODY TYPES	R.H. & L.H. NOTES	PART NUMBER LESS SUFFIX	TRIM CODES -continued																								NO. REQ'D
			593	593B																							
PART NUMBER SUFFIXES																											
BV79C		BV 7913040	ABA																								1

Group 13046

MAT ASSEMBLY (REAR FLOOR)-RUBBER

BODY TYPES	R.H. & L.H. NOTES	PART NUMBER LESS SUFFIX	TRIM CODES																								NO. REQ'D
			451A	453A	453B	454A	454B	552	552A	552B	553	553A	553B	554	555	556	556A	557	558	559	560	560A	561	562	563	564	
PART NUMBER SUFFIXES																											
BV60E		BV 6013046		CB		CC		CB			CC																1
BV70B		BV 7013046	CA	CX		CC		CX			CC																1
BV73B		BV 7313046	CA	CX		CC		CX			CC																1

Continued on next page

BODY PARTS CATALOGUE





Group 13046 MAT ASSEMBLY (REAR FLOOR) -RUBBER-continued

BODY TYPES	R.H. & L.H. NOTES	PART NUMBER LESS SUFFIX	TRIM CODES -continued																								NO. REQ'D
			565	568	568A	569	569B	570	571	572	573	574	583	584	585	585A	586	587	588	589	590	591	591A	591B	592	592B	
			PART NUMBER SUFFIXES																								
BV60E		BV 6013046			CA																						1
BV70B		BV 7013046			CA		CY																				1
BV73B		BV 7313046			CA		CY																				1
BV79B		BV 7913046																BAU	BAV	CAX							1
BV79B		BV 7913046																+BAY									1
BV79C		BV 7913046																			BAY			BAZ			1

BODY TYPES	R.H. & L.H. NOTES	PART NUMBER LESS SUFFIX	TRIM CODES -continued																								NO. REQ'D		
			593	593B																									
			PART NUMBER SUFFIXES																										
BV79C		BV 7913046	BBA																								1		

Group 13046 CARPET AND PAD ASSEMBLY (REAR FLOOR)

BODY TYPES	R.H. & L.H. NOTES	PART NUMBER LESS SUFFIX	TRIM CODES																								NO. REQ'D
			451A	453A	453B	454A	454B	552	552A	552B	553	553A	553B	554	555	556	556A	557	558	559	560	560A	561	562	563	564	
			PART NUMBER SUFFIXES																								
BV60B		BV 6013046																	CN	+CBG ●CK	+CBG	CBG	CZ	CN	WR	1	
BV73C		BV 7313046										CD	CG	+CBG ●CK	+CBG	CJ	CBC						CG		CR	1	

BODY TYPES	R.H. & L.H. NOTES	PART NUMBER LESS SUFFIX	TRIM CODES -continued																								NO. REQ'D
			565	568	568A	569	569B	570	571	572	573	574	583	584	585	585A	586	587	588	589	590	591	591A	591B	592	592B	
			PART NUMBER SUFFIXES																								
BV58A		BV 5813046																									1
BV58A		BV 7313046																									1
BV60B		BV 6013046	CZ	+CBG ●CK	+CBG						CBG	CAA															1
BV64A-64B		BV 6013046																									1
BV64A-64B		BV 6413046																									1
BV76B		BV 7613046										CAB	CAB														1
BV79C		BV 7913046																									1

BODY TYPES	R.H. & L.H. NOTES	PART NUMBER LESS SUFFIX	TRIM CODES -continued																								NO. REQ'D		
			593	593A																									
			PART NUMBER SUFFIXES																										
BV58A		BV 5813046	CBA																								1		
BV64A-64B		BV 6413046	CBA																								1		
BV76B		BV 7613046	CBA																								1		
BV79C		BV 7913046	ABA																								1		

† Black Rubber ‡ Black Carpet
● Red Carpet

Group 13086

PAD (FRONT FLOOR)-HEEL

BODY TYPES	R.H. & L.H. NOTES	PART NUMBER LESS SUFFIX	TRIM CODES																								NO. REQ'D
			451A	453A	453B	454A	454B	552	552A	552B	553	553A	553B	554	555	556	556A	557	558	559	560	560A	561	562	563	564	
			PART NUMBER SUFFIXES																								
BV60B		BV 7313086																			AD	AF			AD	1	
BV60B		BV 7613086																				AAB	AAB			1	
BV60B-73C		BV 6013086																							AR	1	
BV60B-73C		BV 7313086																						AG		1	
BV73C		BV 7313086											AD	AG	AF			AJ	AAB							1	
BV73C		BV 7613086														AAB										1	

BODY TYPES	R.H. & L.H. NOTES	PART NUMBER LESS SUFFIX	TRIM CODES -continued																								NO. REQ'D
			565	568	568A	569	569B	570	571	572	573	574	583	584	585	585A	586	587	588	589	590	591	591A	591B	592	592B	
			PART NUMBER SUFFIXES																								
BV58A-64A-64B		BV 7313086														AF		AG								1	
BV58A-64A-64B		BV 7613086											AAB	AAB		AAB										1	
BV58A-64A-64B-76B		BV 7613086										AAB	AAB										AAB			1	
BV58A-64A-64B-76B-79C		BV 7313086																				AF			AG	1	
BV58A-64A-64B		BV 7913086																ABA								1	
BV60B		BV 7313086	AG	AF							AJ															1	
BV60B		BV 7613086			AAB					AAB																1	

BODY TYPES	R.H. & L.H. NOTES	PART NUMBER LESS SUFFIX	TRIM CODES -continued																								NO. REQ'D
			593	593B																							
			PART NUMBER SUFFIXES																								
BV58A-64A-64B-76B-79C		BV 7913086	ABA																							1	

Group 13108-9

COVER ASSEMBLY (FLOOR PAN SIDE EXTENSION)

BODY TYPES	R.H. & L.H. NOTES	PART NUMBER LESS SUFFIX	TRIM CODES																								NO. REQ'D
			565	568	568A	569	569B	570	571	572	573	574	583	584	585	585A	586	587	588	589	590	591	591A	591B	592	592B	
			PART NUMBER SUFFIXES																								
BV79C	R.H.	BV 7913108																					AAY		AAZ	1	
BV79C	L.H.	BV 7913109																					AAY		AAZ	1	
BV79C	R.H.	BV 7913108																					†BAY			1	
BV79C	L.H.	BV 7913109																					†BAY			1	

Continued on next page

† Black Carpet

MERCURY
 BODY PARTS CATALOGUE

BODY TYPES	R.H. & L.H. NOTES	PART NUMBER LESS SUFFIX	TRIM CODES -continued																							NO. REQ'D			
			565	568	568A	569	569B	570	571	572	573	574	583	584	585	585A	586	587	588	589	590	591	591A	591B	592		592B		
			PART NUMBER SUFFIXES																										
BV58A	R.H.	BV 5823942										AAB	AAC	AAM	AAN	AAR		AAS	AAT					AAY			AAZ	1	
BV58A	L.H.	BV 5823943										AAB	AAC	AAM	AAN	AAR		AAS	AAT					AAY			AAZ	1	
BV60B	R.H.	BV 6023942	ABL	AT						AU	ABN																	1	
BV60B	L.H.	BV 6023943	ABL	AT						AU	ABN																	1	
BV60E-70B	R.H.	BV 7023942				AA																						1	
BV60E-70B	L.H.	BV 7023943				AA																						1	
BV60F-70B	R.H.	ED-BV 7023942					AA																					1	
BV60E-70B	L.H.	ED-BV 7023943					AA																					1	
BV64A-64B	R.H.	BV 6423942											AAM	AAN	AAR			AAS	AAT									1	
BV64A-64B	L.H.	BV 6423943											AAM	AAN	AAR			AAS	AAT									1	
BV64A-64B-76B	R.H.	BV 7623942										AAB	AAC										AAY			AAZ	1		
BV64A-64B-76B	L.H.	BV 7623943										AAB	AAC									AAY			AAZ	1			
BV70B	R.H.	BV 7023942				AA		AY																				1	
BV70B	L.H.	BV 7023943				AA		AY																				1	
BV73B	R.H.	BV 7323942				AA		AY																				1	
BV73B	L.H.	BV 7323943				AA		AY																				1	
BV73B	R.H.	ED-BV 7323942					AA																					1	
BV73B	L.H.	ED-BV 7323943					AA																					1	
BV79B	R.H.	BV 7923942																	AAU	AAV	AAZ							1	
BV79B	L.H.	BV 7923943																	AAU	AAV	AAZ							1	
BV79C	R.H.	BV 7923942																					AAY			AAZ	1		
BV79C	L.H.	BV 7923943																					AAY			AAZ	1		
BODY TYPES	R.H. & L.H. NOTES	PART NUMBER LESS SUFFIX	TRIM CODES -continued																							NO. REQ'D			
			593	593B																									
			PART NUMBER SUFFIXES																										
BV58A	R.H.	BV 5823942	ABA																									1	
BV58A	L.H.	BV 5823943	ABA																									1	
BV64A-64B-76B	R.H.	BV 7623942	ABA																									1	
BV64A-64B-76B	L.H.	BV 7623943	ABA																									1	
BV79C	R.H.	BV 7923942	ABA																									1	
BV79C	L.H.	BV 7923943	ABA																									1	
BV		358392-S8																										18	
BV58A		358470-S8																										as req'd	

BODY PARTS CATALOGUE



BODY TYPES	R.H. & L.H. NOTES	PART NUMBER LESS SUFFIX	TRIM CODES																										NO. REQ'D
			451A	453A	453B	454A	454B	552	552A	552B	553	553A	553B	554	555	556	556A	557	558	559	560	560A	561	562	563	564			
			PART NUMBER SUFFIXES																										
BV60B	R.H.	BV 6024140																								AN	lor2		
BV60B	L.H.	BV 6024141																								AN	lor2		
BV60B	R.H.	BV 7324140																		ABB	ABE	ABC					lor2		
BV60B	L.H.	BV 7324141																		ABB	ABE	ABC					lor2		
BV60B-73C	R.H.	BV 6024140																							AM	AR	lor2		
BV60B-73C	L.H.	BV 6024141																							AM	AR	lor2		
BV60E-70B-73B	R.H.	BR 7324140		AG				AG																			lor2		
BV60E-70B-73B	L.H.	BR 7324141		AG				AG																			lor2		
BV60E-70B-73B	R.H.	BV 7024140				AC				AC																	lor2		
BV60E-70B-73B	L.H.	BV 7024141				AC				AC																	lor2		
BV70B-73B	R.H.	BV 7024140	AA																								lor2		
BV70B-73B	L.H.	BV 7024141	AA																								lor2		
BV73C	R.H.	BV 7324140											ABB	ABD	ABE		ABF	ABC									2		
BV73C	L.H.	BV 7324141											ABB	ABD	ABE		ABF	ABC									2		
BODY TYPES	R.H. & L.H. NOTES	PART NUMBER LESS SUFFIX	TRIM CODES-continued																										NO. REQ'D
			565	568	568A	569	569B	570	571	572	573	574	583	584	585	585A	586	587	588	589	590	591	591A	591B	592	592B			
			PART NUMBER SUFFIXES																										
BV58A-64A-64B	R.H.	BV 7324140											ABC	AE	AE		AE	AE									lor2		
BV58A-64A-64B	L.H.	BV 7324141											ABC	AE	AE		AE	AE									lor2		
BV58A-64A-64B-76B	R.H.	BV 7324140										ABC	AE														lor2		
BV58A-64A-64B-76B	L.H.	BV 7324141										ABC	AE														lor2		
BV58A-64A-64B-76B-79C	R.H.	BV 7324140																						AE		AE	lor2		
BV58A-64A-64B-76B-79C	L.H.	BV 7324141																					AE		AE	lor2			
BV60B	R.H.	BV 7324140	ABD	ABE					ABC	ABF																	lor2		
BV60B	L.H.	BV 7324141	ABD	ABE					ABC	ABF																	lor2		
BV60E-70B-73B	R.H.	BV 7024140				AA																					lor2		
BV60E-70B-73B	L.H.	BV 7024141				AA																					lor2		
BV70B-73B	R.H.	BV 7024140				AA		AY																			lor2		
BV70B-73B	L.H.	BV 7024141				AA		AY																			lor2		
BV79B	R.H.	BV 6024140																						AM	AN		lor2		
BV79B	L.H.	BV 6024141																						AM	AN		lor2		
BV79B	R.H.	BV 7324140																							ABE		lor2		
BV79B	L.H.	BV 7324141																							ABE		lor2		

BODY PARTS CATALOGUE



Group 24140-1

ARM REST ASSEMBLY (DOOR)-TRIMMED -continued

BODY TYPES	R.H. & L.H. NOTES	PART NUMBER LESS SUFFIX	TRIM CODES -continued																								NO. REQ'D
			593	593B																							
			PART NUMBER SUFFIXES																								
BV58A-64A-64B-76B-79C	R.H.	BV 7324140	AE																							lor2	
BV58A-64A-64B-76B-79C	L.H.	BV 7324141	AE																								lor2
BV except 79	52727-88		Screw (pan head cross recess tapping)-No.10-12 x 1/2																								8
BV79B-79C	35297-S34		Screw (pan head cross recess)-No.14 x 2 1/4																								4

Group 24446

PANEL ASSEMBLY (CENTER BODY PILLAR)

BODY TYPES	R.H. & L.H. NOTES	PART NUMBER LESS SUFFIX	TRIM CODES																								NO. REQ'D	
			565	568	568A	569	569B	570	571	572	573	574	583	584	585	585A	586	587	588	589	590	591	591A	591B	592	592B		
			PART NUMBER SUFFIXES																									
BV58A		BV 5824446										AAE	AAB	AAB	AAB	AAY		AAZ	ABA					AAY		AAZ	1	
BODY TYPES	R.H. & L.H. NOTES	PART NUMBER LESS SUFFIX	TRIM CODES -continued																								NO. REQ'D	
			593	593B																								
			PART NUMBER SUFFIXES																									
BV58A		BV 5824446	ABA																								1	
BV58A		358575-S3	Clip (trim)																								2	

Group 24544

WINDLACE ASSEMBLY (REAR DOOR OPENING)

BODY TYPES	R.H. & L.H. NOTES	PART NUMBER LESS SUFFIX	TRIM CODES																								NO. REQ'D
			451A	453A	453B	454A	454B	552	552A	552B	553	553A	553B	554	555	556	556A	557	558	559	560	560A	561	562	563	564	
			PART NUMBER SUFFIXES																								
BV73B		BV 7324544	BA	AB		AC		AB		AC																	2
BV73C		BV 7324544											ABB	AG	ABE		AJ	ABC					AG		AR	2	
BODY TYPES	R.H. & L.H. NOTES	PART NUMBER LESS SUFFIX	TRIM CODES -continued																								NO. REQ'D
			565	568	568A	569	569B	570	571	572	573	574	583	584	585	585A	586	587	588	589	590	591	591A	591B	592	592B	
			PART NUMBER SUFFIXES																								
BV58A		BV 5824544										AAE	AAB	AAB	AAB	AAY		AAZ	ABA				AAY		AAZ		
BV73B		BV 7324544				BA		AX																		2	
BV79B		BV 7924544																AAU	AAV	AAZ						2	
BV79C		BV 7924544																			AAU			AAZ		2	

BODY PARTS CATALOGUE



Group 24544		WINDLACE ASSEMBLY (REAR DOOR OPENING) -continued																						NO. REQ'D		
BODY TYPES	R.H. & L.H. NOTES	PART NUMBER LESS SUFFIX	TRIM CODES-continued																							
			593	593B																						
PART NUMBER SUFFIXES																										
BV58A		BV 5824544	ABA																							2
BV79C		BV 7924544	ABA																							2

Group 27406-7		PANEL ASSEMBLY (REAR DOOR)-TRIMMED																						NO. REQ'D		
BODY TYPES	R.H. & L.H. NOTES	PART NUMBER LESS SUFFIX	TRIM CODES																							
			451A	453A	453B	454A	454B	552	552A	552B	553	553A	553B	554	555	556	556A	557	558	559	560	560A	561		562	563
PART NUMBER SUFFIXES																										
BV73B	R.H.	BV 7327406	AA	AB		AC		AB			AC															1
BV73B	L.H.	BV 7327407	AA	AB		AC		AB			AC															1
BV73B	R.H.	ED-BV 7327406			AB		AC				AB			AC												1
BV73B	L.H.	ED-BV 7327407			AB		AC				AB			AC												1
BV73C	R.H.	BV 7327406											ABB	ABD	ABE		ABF	ABC					AM		AR	1
BV73C	L.H.	BV 7327407											ABB	ABD	ABE		ABF	ABC					AM		AR	1

BODY TYPES	R.H. & L.H. NOTES	PART NUMBER LESS SUFFIX	TRIM CODES-continued																						NO. REQ'D	
			565	568	568A	569	569B	570	571	572	573	574	583	584	585	585A	586	587	588	589	590	591	591A	591B		592
PART NUMBER SUFFIXES																										
BV58A	R.H.	BV 5827406																								1
BV58A	L.H.	BV 5827407										AAB	AAC	AAM	AAN	AAR		AAS	AAT			AAY		AAZ		1
BV73B	R.H.	BV 7327406				AA		AY																		1
BV73B	L.H.	BV 7327407				AA		AY																		1
BV73B	R.H.	ED-BV 7327406					AA																			1
BV73B	L.H.	ED-BV 7327407					AA																			1
BV79B	R.H.	BV 7927406																	AAU	AAV	AAX					1
BV79B	L.H.	BV 7927407																	AAU	AAV	AAX					1
BV79C	R.H.	BV 7927406																				AAY		AAZ		1
BV79C	L.H.	BV 7927407																				AAY		AAZ		1

BODY TYPES	R.H. & L.H. NOTES	PART NUMBER LESS SUFFIX	TRIM CODES-continued																						NO. REQ'D	
			593	593B																						
PART NUMBER SUFFIXES																										
BV58A	R.H.	BV 5827406	ABA																							1
BV58A	L.H.	BV 5827407	ABA																							1
BV79C	R.H.	BV 7927406	ABA																							1
BV79C	L.H.	BV 7927407	ABA																							1
BV73B-73C		358470-S3		Clip (trim)																				24		
BV79B-79C		52368-S23		Screw (oval head cross recess)-No.8-15 x 7/8"																				6		
BV79B-79C		356554-S		Washer (finish)																				6		

Group 31280-1

COVER ASSEMBLY (QUARTER TRIM PANEL)-LOWER FRONT

BODY TYPES	R.H. & L.H. NOTES	PART NUMBER LESS SUFFIX	TRIM CODES																							NO. REQ'D	
			565	568	568A	569	569B	570	571	572	573	574	583	584	585	585A	586	587	588	589	590	591	591A	591B	592		592B
			PART NUMBER SUFFIXES																								
BV79B	R.H.	BV 7931280																	AAJ	AAV	AAZ						1
BV79B	L.H.	BV 7931281																	AAU	AAV	AAZ						1
BV79C	R.H.	BV 7931280																						AAU		AAZ	1
BV79C	L.H.	BV 7931281																					AAU		AAZ	1	
BODY TYPES	R.H. & L.H. NOTES	PART NUMBER LESS SUFFIX	TRIM CODES -continued																							NO. REQ'D	
			593	593B																							
			PART NUMBER SUFFIXES																								
BV79C	R.H.	BV 7931280	ABA																							1	
BV79C	L.H.	BV 7931281	ABA																							1	

Group 31290-1

WINDLACE ASSEMBLY (QUARTER LOCK PILLAR)

BODY TYPES	R.H. & L.H. NOTES	PART NUMBER LESS SUFFIX	TRIM CODES																							NO. REQ'D	
			451A	453A	453B	454A	454B	552	552A	552B	553	553A	553B	554	555	556	556A	557	558	559	560	560A	561	562	563		564
			PART NUMBER SUFFIXES																								
BV60B		BV 6031290																		ABJ	BBH		ABG	BM	ABJ	BR	2
BV60C		BV 6031290		AB		AC		AB			AC															2	

Group 31290-1

WINDLACE ASSEMBLY (QUARTER LOCK PILLAR)-continued

BODY TYPES	R.H. & L.H. NOTES	PART NUMBER LESS SUFFIX	TRIM CODES-continued																							NO. REQ'D
			565	568	568A	569	569B	570	571	572	573	574	583	584	585	585A	586	587	588	589	590	591	591A	591B	592	
			PART NUMBER SUFFIXES																							
BV60B		BV 6031290	BM	BBH					ABG	BBN																2
BV60E		BV 6031290			BA																					2
BV64A-64B		BV 6031290								ABG	ABG	ABG	ABG	BBH									BBH			2
BV64A-64B		BV 6431290														AAZ	ABA								AAZ	2
BV76B	R.H.	BV 7631290							BAB	BAB													BAY		BAZ	1
BV76B	L.H.	BV 7631291							BAB	BAB													BAY		BAZ	1
BODY TYPES	R.H. & L.H. NOTES	PART NUMBER LESS SUFFIX	TRIM CODES -continued																							NO. REQ'D
			593	593B																						
			PART NUMBER SUFFIXES																							
BV64A-64B		BV 6431290	ABA																							2
BV76B	R.H.	BV 7631290	BBA																							1
BV76B	L.H.	BV 7631291	BBA																							1

BODY PARTS CATALOGUE



Group 31406

STRAP ASSEMBLY (ASSIST)

BODY TYPES	R.H. & L.H. NOTES	PART NUMBER LESS SUFFIX	TRIM CODES																								NO. REQ'D
			451A	453A	453B	454A	454B	552	552A	552B	553	553A	553B	554	555	556	556A	557	558	559	560	560A	561	562	563	564	
BV70B		BV 7031406	AA	AB		AC		AB			AC																
			PART NUMBER SUFFIXES																								
			TRIM CODES -continued																								
			565	568	568A	569	569B	570	571	572	573	574	583	584	585	585A	586	587	588	589	590	591	591A	591B	592	592B	
			PART NUMBER SUFFIXES																								
BV70B		BV 7031406				AA		CAN																			
BV70B		BR 7031421-A	Cover																								2
BV70B		52376-S13	Screw																								4
BV70B		354101-S7	Spring Nut																								2

Group 31600-1

ARM REST ASSEMBLY (QUARTER)-TRIMMED

BODY TYPES	R.H. & L.H. NOTES	PART NUMBER LESS SUFFIX	TRIM CODES																								NO. REQ'D
			451A	453A	453B	454A	454B	552	552A	552B	553	553A	553B	554	555	556	556A	557	558	559	560	560A	561	562	563	564	
BV60B	R.H.	BV 6031600																									
BV60B	L.H.	BV 6031601																		BBJ	BBH		BBG	CM	BN	CR	
BV60E-70B	R.H.	BV 7031600		AB		AC		AB			AC									BBJ	BBH		BBG	CM	BN	CR	
BV60E-70B	L.H.	BV 7031601		AB		AC		AB			AC																
BV70B	R.H.	BV 7031600	BA																								
BV70B	L.H.	BV 7031601	BA																								
			PART NUMBER SUFFIXES																								
			TRIM CODES -continued																								
			565	568	568A	569	569B	570	571	572	573	574	583	584	585	585A	586	587	588	589	590	591	591A	591B	592	592B	
			PART NUMBER SUFFIXES																								
BV60B	R.H.	BV 6031600	BBL	ABM					ABK	BBN																	
BV60B	L.H.	BV 6031601	BBL	ABM					ABK	BBN																	
BV60F-70B	R.H.	BV 7031600				BA																					
BV60E-70B	L.H.	BV 7031601				BA																					
BV64A-64B	R.H.	BV 6431600								BAB	BAB	BAM	BAM	BAR		BAS	BAT				BAY				BAZ		
BV64A-64B	L.H.	BV 6431601								BAB	BAB	BAM	BAM	BAR		BAS	BAT				BAY				BAZ		
BV70B	R.H.	BV 7031600					AY																				
BV70B	L.H.	BV 7031601					AY																				
BV76B	R.H.	BV 7631600								AAB	AAB											AAZ					
BV76B	L.H.	BV 7631601								AAB	AAB											AAZ					

Continued on next page

Group 31600-1

ARM REST ASSEMBLY (QUARTER)-TRIMMED -continued

BODY TYPES	R.H. & L.H. NOTES	PART NUMBER LESS SUFFIX	TRIM CODES -continued																								NO. REQ'D	
			593	593B																								
			PART NUMBER SUFFIXES																									
BV64A-64B	R.H.	BV 6431600	BBA																									1
BV64A-64B	L.H.	BV 6431601	BBA																									1
BV76B	R.H.	BV 7631600	ABA																									1
BV76B	L.H.	BV 7631601	ABA																									1

Group 40428-9

PANEL ASSEMBLY (REAR CORNER INNER FINISH)-UPPER

BODY TYPES	R.H. & L.H. NOTES	PART NUMBER LESS SUFFIX	TRIM CODES																								NO. REQ'D		
			565	568	568A	569	569B	570	571	572	573	574	583	584	585	585A	586	587	588	589	590	591	591A	591B	592	592B			
			PART NUMBER SUFFIXES																										
BV79B	R.H.	BV 7940428																											1
BV79B	L.H.	BV 7940429																	AAU	AAV	AAX								1
BV79C	R.H.	BV 7940428																											1
BV79C	L.H.	BV 7940429																				AAU				AAU			1

BODY TYPES	R.H. & L.H. NOTES	PART NUMBER LESS SUFFIX	TRIM CODES -continued																								NO. REQ'D			
			593	593B																										
			PART NUMBER SUFFIXES																											
BV79C	R.H.	BV 7940428	AAU																										1	
BV79C	L.H.	BV 7940429	AAU																										1	

Group 40704

COVER ASSEMBLY (TAIL GATE PANEL)-CARPET

BODY TYPES	R.H. & L.H. NOTES	PART NUMBER LESS SUFFIX	TRIM CODES																								NO. REQ'D		
			565	568	568A	569	569B	570	571	572	573	574	583	584	585	585A	586	587	588	589	590	591	591A	591B	592	592B			
			PART NUMBER SUFFIXES																										
BV79C		BV 7940704																									AAZ		1
BV79C		BV 7940704																									#BAY		1

BODY TYPES	R.H. & L.H. NOTES	PART NUMBER LESS SUFFIX	TRIM CODES -continued																								NO. REQ'D			
			593	593B																										
			PART NUMBER SUFFIXES																											
BV79C		BV 7940704	ABA																										1	
BV79C		357903-88	Screw (cross recess washer head)-No.8-15 x 1/2"																								9			

Black Carpet

BODY PARTS CATALOGUE



Group 46688

PANEL ASSEMBLY (PACKAGE TRAY)-TRIMMED

BODY TYPES	R.H. & L.H. NOTES	PART NUMBER LESS SUFFIX	TRIM CODES -continued																								NO. REQ'D
			451A	453A	453B	454A	454B	552	552A	552B	553	553A	553B	554	555	556	556A	557	558	559	560	560A	561	562	563	564	
BV60B		BV 6046668																									
BV60R		BV 6046668																									
BV70B-73B		BV 7046668	CA	BB		BC			BB																		
BV73C		BV 7346668																									

BODY TYPES	R.H. & L.H. NOTES	PART NUMBER LESS SUFFIX	TRIM CODES -continued																								NO. REQ'D
			565	568	568A	569	569B	570	571	572	573	574	583	584	585	585A	586	587	588	589	590	591	591A	591B	592	592B	
BV58A		BV 5846668																									
BV60B		BV 6046668	ABL	BBM																							
BV60E		BV 6046668				CA																					
BV64A-64B		BV 6446668																									
BV70B-73B		BV 7046668				CA			BY																		

BODY TYPES	R.H. & L.H. NOTES	PART NUMBER LESS SUFFIX	TRIM CODES -continued																								NO. REQ'D															
			593	593B																																						
BV58A		BV 5846668	EBA																																							
BV64A-64B		BV 6446668	AAT																																							
BV58A		358385-S3	Clip (trim)																																							
BV except 76-79		BN 7046698-AP	Retainer																																							

Group 50132

CURTAIN ASSEMBLY (ROOF SUNSHADE)

BODY TYPES	R.H. & L.H. NOTES	PART NUMBER LESS SUFFIX	TRIM CODES																								NO. REQ'D
			565	568	568A	569	569B	570	571	572	573	574	583	584	585	585A	586	587	588	589	590	591	591A	591B	592	592B	
BV64B		BV 6450132																									

BODY TYPES	R.H. & L.H. NOTES	PART NUMBER LESS SUFFIX	TRIM CODES -continued																								NO. REQ'D
			593	593B																							
BV64B		BV 6450132	BAB																								

BODY PARTS CATALOGUE



Group 50182 RETAINER (ROOF SUNSHADE CURTAIN)-STORAGE

BODY TYPES	R.H. & L.H. NOTES	PART NUMBER LESS SUFFIX	TRIM CODES																								NO. REQ'D
			565	568	568A	569	569B	570	571	572	573	574	583	584	585	585A	586	587	588	589	590	591	591A	591B	592	592B	
BV64B		BV 6450182									AAK	AN	AAK	AN	AN		AN	AN									1
			PART NUMBER SUFFIXES																								
BODY TYPES	R.H. & L.H. NOTES	PART NUMBER LESS SUFFIX	TRIM CODES -continued																								NO. REQ'D
			593	593B																							
BV64B		BV 6450182	AN																								1
			PART NUMBER SUFFIXES																								

Group 51176 COVER (ROOF SIDE INNER REAR RAIL)

BODY TYPES	R.H. & L.H. NOTES	PART NUMBER LESS SUFFIX	TRIM CODES																								NO. REQ'D
			565	568	568A	569	569B	570	571	572	573	574	583	584	585	585A	586	587	588	589	590	591	591A	591B	592	592B	
BV64A-64B		BV 6451176									AAB	AAC	AAB	AAC	AAC		AAC	AAC				AAC			AAC		2
			PART NUMBER SUFFIXES																								
BODY TYPES	R.H. & L.H. NOTES	PART NUMBER LESS SUFFIX	TRIM CODES -continued																								NO. REQ'D
			593	593B																							
BV64A-64B		BV 6451176	AAC																								2
			PART NUMBER SUFFIXES																								

Group 51916 HEADLINING ASSEMBLY (ROOF)

BODY TYPES	R.H. & L.H. NOTES	PART NUMBER LESS SUFFIX	TRIM CODES																				NO. REQ'D											
			451A	453A	453B	454A	454B	552	552A	552B	553	553A	553B	554	555	556	556A	557	558	559	560	560A		561	562	563	564							
BV60E		BV 6051916																									CL	CL		CBC	CM	CN	CL	1
BV60E		BV 6051916																									#BL	#BL		#BBG	#BM	#BN	#BL	1
BV60E		BV 6051916						CB				CC																						1
BV60E		BV 6051916						#BB				#BC																						1
BV60E		ED-BV 6051916	AA	AB		AC																												1
BV60E		ED-BV 6051916	#BA	#BB		#BC																												1
BV70B-73B		BV 7051916						AB				CC																						1
BV70B-73B		BV 7051916						#BB				#BC																						1
BV70B-73B		ED-BV 7051916	AA	AB		AC																												1
BV70B-73B		ED-BV 7051916	#BA	#BB		#BC																												1
BV73C		BV 7351916												BE	BE	BE		BE	CBC											BG		BE	1	
BV73C		BV 7351916												#ABB	#ABB	#ABB		#ABB	#ABB											#AM		#ABB	1	

Air Condition

Group 51916

HEADLINING ASSEMBLY (ROOF)

BODY TYPES	R.H. & L.H. NOTES	PART NUMBER LESS SUFFIX	TRIM CODES-continued																												NO. REQ'D
			565	568	563A	569	569B	570	571	572	573	574	583	584	585	585A	586	587	588	589	590	591	591A	591B	592	592B					
			PART NUMBER SUFFIXES																												
BV58A		BV 5851916									AAB	AAC	AAB	AAC		AAC	AAC					AAC			AAC						
BV58A		BV 5851916									#BAB	#BAC	#BAB	#BAC	#BAC		#BAC	#BAC				#BAC			#BAC						
BV60B		BV 6051916	CL	CL						CBG	CL																				
BV60B		BV 6051916	#BL	#BL						#BBG	#BL																				
BV60E		BV 6051916				CA																									
BV60E		BV 6051916				#BA																									
BV64A		BV 6451916									AAB	AAC	AAB	AAC	AAC		AAC	AAC				AAC			AAC						
BV64B		BV 6451916									BAB	BAC	BAB	BAC	BAC		BAC	BAC				BAC			BAC						
BV70B-73B		BV 7051916				AA		CY																							
BV70B-73B		BV 7051916				#BA		#BY																							
BV79B		BV 7951916																		AAU	AAV	AAX									
BV79C		BV 7951916																				AAU			AAU						

BODY TYPES	R.H. & L.H. NOTES	PART NUMBER LESS SUFFIX	TRIM CODES-continued																												NO. REQ'D
			593	593B																											
			PART NUMBER SUFFIXES																												
BV58A		BV 5851916	AAC																									1			
BV58A		BV 5851916	#BAC																									1			
BV64A		BV 6451916	AAC																									1			
BV64B		BV 6451916	BAC																									1			
BV79C		BV 7951916	AAU																									1			
BV79B		M-1G18-AE	Wire on binding-White Vinyl & Red Square Chrometex-1.3 yds.																												
BV79B		M-1G18-AF	Wire on binding-Light Green Vinyl & Green Square Chrometex-1.3 yds.																												
BV79B		M-1G18-AG	Wire on binding-Light Blue Vinyl & Blue Square Chrometex-1.3 yds.																												
BV		B5A 7020918-A	Retainer (roof side)																												as req'd

Group 51948-9

PANEL ASSEMBLY (ROOF RAIL REAR TRIM)

BODY TYPES	R.H. & L.H. NOTES	PART NUMBER LESS SUFFIX	TRIM CODES																								NO. REQ'D										
			451A	453A	453B	454A	454B	552	552A	552B	553	553A	553B	554	555	556	556A	557	558	559	560	560A	561	562	563	564											
			PART NUMBER SUFFIXES																																		
BV60B	R.H.	BV 6051948																											AN	AL		BG	AM	AN	AL	1	
BV60B	L.H.	BV 6051949																												AN	AL		BG	AM	AN	AL	1

Refer to basic No. 51970 for Panel Assy in prime

+ Air Condition

BODY PARTS CATALOGUE





Group 51948-9 PANEL ASSEMBLY (ROOF RAIL REAR TRIM)-continued

BODY TYPES	R.H. & L.H. NOTES	PART NUMBER LESS SUFFIX	TRIM CODES																							NO. REQ'D	
			565	568	568A	569	569B	570	571	572	573	574	583	584	585	585A	586	587	588	589	590	591	591A	591B	592		592B
			PART NUMBER SUFFIXES																								
BV60B	R.H.	BV 6051948	AM	AL						BG	AL															1	
BV60B	L.H.	BV 6051949	AM	AL						BG	AL															1	

Refer to basic No. 51970 for Panel Assy in prime

Group 51972 WELT (ROOF HEADLINING TRIM)

BODY TYPES	R.H. & L.H. NOTES	PART NUMBER LESS SUFFIX	TRIM CODES																							NO. REQ'D	
			451A	453A	453B	454A	454B	552	552A	552B	553	553A	553B	554	555	556	556A	557	558	559	560	560A	561	562	563		564
			PART NUMBER SUFFIXES																								
BV60B		BV 6051972																		†ABH	†ABH		§ABG	*AM	†AN	†ABH	2
BV60E		BV 6051972						★AB			△AC																2

BODY TYPES	R.H. & L.H. NOTES	PART NUMBER LESS SUFFIX	TRIM CODES-continued																							NO. REQ'D	
			565	568	568A	569	569B	570	571	572	573	574	583	584	585	585A	586	587	588	589	590	591	591A	591B	592		592B
			PART NUMBER SUFFIXES																								
BV60B		BV 6051972	†ABE	†ABH							§ABG	†ABH															2
BV60E		BV 6051972				●AA																					2
BV64A-64B		BV 6451972										§AAM	†AAN	§AAM	†AAN	†AAN		†AAN	†AAN			†AAN			†AAN		2

BODY TYPES	R.H. & L.H. NOTES	PART NUMBER LESS SUFFIX	TRIM CODES-continued																							NO. REQ'D		
			593	593B																								
			PART NUMBER SUFFIXES																									
BV64A-64B		BV 6451972	†AAN																								2	

- For Service use M-1G56-A
- ★ For Service use M-1G56-B
- △ For Service use M-1G56-C
- * For Service use M-1G56-F
- † For Service use M-1G56-G
- § For Service use M-1G56-D
- ‡ For Service use M-1G56-E

Group 52300

BINDING (FOLDING TOP)-NO. 4 BOW

BODY TYPES	R.H. & L.H. NOTES	PART NUMBER LESS SUFFIX	TRIM CODES																NO. REQ'D			
			101	103	104	105																
			PART NUMBER SUFFIXES																			
BV76B		BV 7652300	\$AF	^AG	#AH	*AJ																1
BV76B		353125-AS23	End Tip (pointed)																1			
BV76B		353126-S7	End Tip (pointed)																1			

Group 52516

WINDOW AND EXTENSION ASSEMBLY (TOP BACK CURTAIN)

BODY TYPES	R.H. & L.H. NOTES	PART NUMBER LESS SUFFIX	TRIM CODES																NO. REQ'D			
			101	103	104	105																
			PART NUMBER SUFFIXES																			
BV76B		BV 7652516	AF	AH	AJ	AG																1

Group 52700

TOP DECK AND QUARTER ASSEMBLY (FOLDING TOP)

BODY TYPES	R.H. & L.H. NOTES	PART NUMBER LESS SUFFIX	TRIM CODES																NO. REQ'D			
			101	103	104	105																
			PART NUMBER SUFFIXES																			
BV76B		BV 7652700	CF	CH	CJ	CG																1

Group 52874-5

CASE ASSEMBLY (TOP QUARTER PAD)

BODY TYPES	R.H. & L.H. NOTES	PART NUMBER LESS SUFFIX	TRIM CODES																NO. REQ'D				
			101	103	104	105																	
			PART NUMBER SUFFIXES																				
BV76B	R.H.	BV 7652874	AJ	AG	AH	AF																1	
BV76B	L.H.	BV 7652875	AJ	AG	AH	AF																1	

- \$ For Service use M-1G18-AN Black Orlon with Black Binding-1.69 yds.
- ^ For Service use M-1G18-AP Green (cotton-rayon)-3.27 yds.
- # For Service use M-1G18-AQ Blue (cotton-rayon)-3.27 yds.
- * For Service use M-1G18-AM White Orlon with White Binding-1.69 yds.

Group 54640-1

COVER ASSEMBLY (FOLDING TOP COMPARTMENT)-UPPER

BODY TYPES	R.H. & L.H. NOTES	PART NUMBER LESS SUFFIX	TRIM CODES																								NO. REQ'D				
			101	103	104	105																									
			PART NUMBER SUFFIXES																												
BV76B	R.H.	BV 7654640	AE			AE	(Orlon)																								1
BV76B	L.H.	BV 7654641	AE			AE	(Orlon)																								1
BV76B	R.H.	BV 7654640		AF	AG		(Cotton-Rayon)																								1
BV76B	L.H.	BV 7654641		AF	AG		(Cotton-Rayon)																								1

Group 60032-3 BACK ASSEMBLY (REAR SEAT)-TRIMMED

BODY TYPES	R.H. & L.H. NOTES	PART NUMBER LESS SUFFIX	TRIM CODES																								NO. REQ'D
			451A	453A	453B	454A	454B	552	552A	552B	553	553A	553B	554	555	556	556A	557	558	559	560	560A	561	562	563	564	
			PART NUMBER SUFFIXES																								
BV60B		BV 6060032																									
BV60B		BV 6060032					AB			AC										ABJ	ABH		ABG	AM	AN	AR	
BV60E		BV 6060032					#BB			#BC																	
BV60E		ED-BV 6060032	AA	AB		AC																					
BV70B-73B		BV 7060032					AB			AC																	
BV70B-73B		BV 7060032					#BB			#BC																	
BV73C		BV 7360032												ABB	ABD	ABE		ABF	ABC					AM		AR	
BV70B-73B		ED-BV 7060032	AA	AB		AC																					

BODY TYPES	R.H. & L.H. NOTES	PART NUMBER LESS SUFFIX	TRIM CODES-continued																								NO. REQ'D
			565	568	560A	569	569B	570	571	572	573	574	583	584	585	585A	586	587	588	589	590	591	591A	591B	592	592B	
			PART NUMBER SUFFIXES																								
BV58A	R.H.	BV 5860032										AAB	AAC	AAM	AAN	AAR		AAS	AAT				AAY			AAZ	
BV58A	L.H.	BV 5860033										AAB	AAC	AAM	AAN	AAR		AAS	AAT				AAY			AAZ	
BV50B		BV 6060032	ABL	ABM				ABK	ABN																		
BV60E		BV 6060032				ABT																					
BV64A-64B	R.H.	BV 6460032										AAB	AAC	AAM	AAN	AAR		AAS	AAT				AAY			AAZ	
BV64A-64B	L.H.	BV 6460033										AAB	AAC	AAM	AAN	AAR		AAS	AAT				AAY			AAZ	
BV70B-73B		BV 7060032						AY																			
BV76B	R.H.	BV 7660032										AAB	AAC										AAY			AAZ	
BV76B	L.H.	BV 7660033										AAB	AAC										AAY			AAZ	
BV79B	R.H.	BV 7960032																	AAU	AAV	AAW						
BV79B	R.H.	BV 7960032																	#BAU	#BAV	#BAX						
BV79B	L.H.	BV 7960033																	BAU	BAV	BAX						
BV79C	R.H.	BV 7960032																					AAY			AAZ	
BV79C	R.H.	BV 7960032																					#BAY			#BAZ	
BV79C	L.H.	BV 7960033																					BAY			BAZ	
BV79C	R.H.	BV 7960032																					BAY			BAZ	
BV79C	L.H.	BV 7960033																					BAY	\$CAY	BAZ	\$CAZ	
BV79C	L.H.	BV 7960033																					EAY	\$FAY	MAZ	\$FAZ	

Revised Panel Length-18 1/2"

§ Horizontal Bolster

BODY PARTS CATALOGUE



Group 60966-7

COVER (REAR SEAT CUSHION FLOOR PANEL)

BODY TYPES	R.H. & L.H. NOTES	PART NUMBER LESS SUFFIX	TRIM CODES																								NO. REQ'D
			565	568	568A	569	569B	570	571	572	573	574	583	584	585	585A	586	587	588	589	590	591	591A	591B	592	592B	
			PART NUMBER SUFFIXES																								
BV79B	R.H.	BV 7960966																	§AAU	◇AAV	*AAZ						1
BV79B	L.H.	BV 7960967																	§AAU	◇AAV	*AAZ						1

Group 60968

COVER (AUXILIARY SEAT BACK FLOOR PANEL)-FRONT

BODY TYPES	R.H. & L.H. NOTES	PART NUMBER LESS SUFFIX	TRIM CODES																								NO. REQ'D
			565	568	568A	569	569B	570	571	572	573	574	583	584	585	585A	586	587	588	589	590	591	591A	591B	592	592B	
			PART NUMBER SUFFIXES																								
BV79B		BV 7960968																	§AAU	◇AAV	*AAV						1

Group 60970

COVER (AUXILIARY SEAT BACK REAR FLOORBOARD PANEL)

BODY TYPES	R.H. & L.H. NOTES	PART NUMBER LESS SUFFIX	TRIM CODES																								NO. REQ'D
			565	568	568A	569	569B	570	571	572	573	574	583	584	585	585A	586	587	588	589	590	591	591A	591B	592	592B	
			PART NUMBER SUFFIXES																								
BV79B		BV 7960970																	§AAU	◇AAV	*AAZ						1

Group 61200

KIT-SEAT BELT (ONE PERSON)

BODY TYPES	R.H. & L.H. NOTES	PART NUMBER LESS SUFFIX	TRIM CODES																								NO. REQ'D
			451A	453A	453B	454A	454B	552	552A	552B	553	553A	553B	554	555	556	556A	557	558	559	560	560A	561	562	563	564	
			PART NUMBER SUFFIXES																								
BV		BV 7061200	A	A	A	A	A	A	A	A	A	A	A	A	A	A	A	A	A	A	A	A	A	A	A	A	1

BODY TYPES	R.H. & L.H. NOTES	PART NUMBER LESS SUFFIX	TRIM CODES -continued																								NO. REQ'D
			565	568	568A	569	569B	570	571	572	573	574	583	584	585	585A	586	587	588	589	590	591	591A	591B	592	592B	
			PART NUMBER SUFFIXES																								
BV		BV 7061200	A	A	A	A	A	A	A	A	A	A	A	A	A	A	A	A	A	A	A	A	A	A	A	A	1

BODY TYPES	R.H. & L.H. NOTES	PART NUMBER LESS SUFFIX	TRIM CODES																								NO. REQ'D	
			593	593B																								
			PART NUMBER SUFFIXES																									
BV		BV 7061200	A	A																							1	

* For Service use M-99D3-J Dk. Blue Linoleum-60" wide
 ◇ For Service use M-99D3-H Med. Green Linoleum-60" wide
 § For Service Use M-99D3-K Red Linoleum-60" wide

BODY PARTS CATALOGUE





Group 62800 ROBE CORD ASSEMBLY (FRONT SEAT BACK)

BODY TYPES	R.H. & L.H. NOTES	PART NUMBER LESS SUFFIX	TRIM CODES																								NO. REQ'D
			451A	453A	453B	454A	454B	552	552A	552B	553	553A	553B	554	555	556	556A	557	558	559	560	560A	561	562	563	564	
BV73B		BV 7362800	BA	AB		AC		AB		AC																1	
BV73C		BV 7362800													AE	AE	AE		AE	ABC				AG	AE	1	
BODY TYPES	R.H. & L.H. NOTES	PART NUMBER LESS SUFFIX	TRIM CODES -continued																								NO. REQ'D
			565	568	568A	569	569B	570	571	572	573	574	583	584	585	585A	586	587	588	589	590	591	591A	591B	592	592B	
BV58A		BV 7362800													ABC	AE	ABC	AE	AE							1	
BV58A-79C		BV 7362800																			AE				AE	1	
BV73B		BV 7362800				BA		AY																		1	
BV79B		BV 7362800																	AE	AG	AX					1	
BODY TYPES	R.H. & L.H. NOTES	PART NUMBER LESS SUFFIX	TRIM CODES -continued																								NO. REQ'D
			593	593B																							
BV58A-79C		BV 7362800	AE																							1	

Group 62900 COVER ASSEMBLY (FRONT SEAT CUSHION)

BODY TYPES	R.H. & L.H. NOTES	PART NUMBER LESS SUFFIX	TRIM CODES																								NO. REQ'D
			451A	453A	453B	454A	454B	552	552A	552B	553	553A	553B	554	555	556	556A	557	558	559	560	560A	561	562	563	564	
BV60B		BV 6062900																		ABJ	ABH		ABG	AM	AN	AR	1
BV60E-70B		BV 7062900					AB			AC																1	
BV60E-70B		ED-BV 7062900	AA	AB		AC																				1	
BV73B		BV 7362900					AB			AC																1	
BV73B		ED-BV 7362900	AA	AB		AC																				1	
BV73C		BV 7362900													ABB	ABD	ABE		ABF	ABC				AM	AR	1	
BODY TYPES	R.H. & L.H. NOTES	PART NUMBER LESS SUFFIX	TRIM CODES -continued																								NO. REQ'D
			565	568	568A	569	569B	570	571	572	573	574	583	584	585	585A	586	587	588	589	590	591	591A	591B	592	592B	
BV58A		BV 5862900													AAB	AAC	AAM	AAN	AAR		AAS	AAT				1	
BV58A-79C		BV 7962900																				AAY			AAZ	1	
BV60B		BV 6062900	ABL	ABM					ABK	ABN																1	
BV60E-70B		BV 7062900				ABT																				1	
BV64A-64B		BV 6462900													AAM	AAN	AAR		AAS	AAT						1	
BV64A-64B-76B		BV 7662900													AAB	AAC						AAY			AAZ	1	
BV70B		BV 7062900						AY																		1	
BV73B		BV 7362900				ABT		AY																		1	
BV79B		BV 7962900																		AAU	AAV	AAW				1	

Continued on next page

Group 62900

COVER ASSEMBLY (FRONT SEAT CUSHION)

BODY TYPES	R.H. & L.H. NOTES	PART NUMBER LESS SUFFIX	TRIM CODES -continued																								NO. REQ'D
			593	593B																							
BV58A-79C		BV 7962900	ABA																								
BV64A-64B-76B		BV 7662900	ABA																							1	
BV		358338-S	Clip "C"																								as req'd

Group 63501

BUTTON AND STRAP ASSEMBLY (FRONT, REAR AND AUXILIARY SEAT BACK)

BODY TYPES	R.H. & L.H. NOTES	PART NUMBER LESS SUFFIX	TRIM CODES																								NO. REQ'D
			451A	453A	453B	454A	454B	552	552A	552B	553	553A	553B	554	555	556	556A	557	558	559	560	560A	561	562	563	564	
BV60E		BV 7063501						★AB			★AC															4	
BV60E		BV 7063501					△AB			△AC																4	
BV60E-70B		ED-BV 7063501		★BB		★BC																				2	
BV60E-70B		ED-BV 7063501		△BB		△BC																				3	
BV60E-70B		BV 7063501		★BBT																						2	
BV60E-70B		BV 7063501		△BBT																						2	
BV70B		BV 7063501					★BB			★BC																3	
BV70B		BV 7063501					△BB			△BC																2	
BV73B		BV 7063501		★BBT			★BB			★BC																3	
BV73B		BV 7063501		△BBT			△BB			△BC																3	
BV73B		ED-BV 7063501		★BB		★BC																				3	
BV73B		ED-BV 7063501		△BB		△BC																				3	
BODY TYPES	R.H. & L.H. NOTES	PART NUMBER LESS SUFFIX	TRIM CODES																								NO. REQ'D
			565	568	568A	569	569B	570	571	572	573	574	583	584	585	585A	586	587	588	589	590	591	591A	591B	592	592B	
BV60E-70B		BV 7063501				★BBT																				2	
BV60E-70B		BV 7063501				△BBT																				3	
BV70B-73B		BV 7063501				★ABT																				4	
BV70B-73B		BV 7063501				△ABT																				4	
BV79B		BV 7963501																								4	
BV79B		BV 7963501																★AAU	★AAV	★AAX						4	
BV79B		BV 7963501																△AAU	△AAV	△AAX						4	
BV except 60B&79C		BS 7363520-A	Retainer (Seat trim strap)																								as req'd

★ Front Seat Back

△ Rear Seat Back

Auxiliary Seat Back

BODY PARTS CATALOGUE



BODY TYPES	R.H. & L.H. NOTES	PART NUMBER LESS SUFFIX	TRIM CODES																								NO. REQ'D	
			451A	453A	453B	454A	454B	552	552A	552B	553	553A	553B	554	555	556	556A	557	558	559	560	560A	561	562	563	564		
			PART NUMBER SUFFIXES																									
BV60B		BV 6063804																			ABJ	ABH		ABG	AM	AN	AR	1
BV60E		BV 6063804					AB				AC																	1
BV60E		ED-BV 6063804	AA	AB		AC																						1
BV70B		BV 7063804					AB				AC																	1
BV70B		ED-BV 7063804	AA	AB		AC																						1
BV73B		BV 7363804					AB				AC																	1
BV73B		ED-BV 7363804	AA	AB		AC																						1
BV73C		BV 7363804												ABB	ABD	ABE		ABF	ABC						AM		AR	1
BODY TYPES	R.H. & L.H. NOTES	PART NUMBER LESS SUFFIX	TRIM CODES -continued																								NO. REQ'D	
			565	568	568A	569	569B	570	571	572	573	574	583	584	585	585A	586	587	588	589	590	591	591A	591B	592	592B		
			PART NUMBER SUFFIXES																									
BV58A		BV 5863804											AAB	AAC	AAM	AAN	AAR							AAY		AAZ	1	
BV60B		BV 6063804	ABL	ABM					ABK	ABN																	1	
BV60E		BV 6063804				ABT																					1	
BV64A-64B		BV 6463804										AAB	AAC	AAM	AAN	AAR							AAY		AAZ	1		
BV70B		BV 7063804				ABT		AY																			1	
BV73B		BV 7363804				ABT		AY																			1	
BV76B		BV 7663804								AAB	AAC												AAY		AAZ	1		
BV79B	R.H.	BV 7963804																	AAU	AAV	AAX						1	
BV79B	L.H.	BV 7963805																	AAU	AAV	AAX						1	
BV79C	R.H.	BV 7963804																					AAY	§BAY	AAZ	§BAZ	1	
BV79C	L.H.	BV 7963805																					AAY	§BAY	AAZ	§BAZ	1	
BODY TYPES	R.H. & L.H. NOTES	PART NUMBER LESS SUFFIX	TRIM CODES -continued																								NO. REQ'D	
			593	593B																								
			PART NUMBER SUFFIXES																									
BV58A		BV 5863804	ABA																								1	
BV64A-64B		BV 6463804	ABA																								1	
BV76B		BV 7663804	ABA																								1	
BV79C	R.H.	BV 7963804	ABA	§BBA																							1	
BV79C	L.H.	BV 7963805	ABA	§BBA																							1	
BV except 79B&79C		358338-S																									as req'd	

BODY PARTS CATALOGUE



§ Horizontal Bolster

Group 63822

COVER ASSEMBLY (AUXILIARY SEAT CUSHION)

BODY TYPES	R.H. & L.H. NOTES	PART NUMBER LESS SUFFIX	TRIM CODES																								NO. REQ'D
			565	568	568A	569	569B	570	571	572	573	574	583	584	585	585A	586	587	588	589	590	591	591A	591B	592	592B	
			PART NUMBER SUFFIXES																								
BV79B		BV 7963822																									
BV79C		BV 7963822																	AAU	AAV	AAZ						
																						AAZ	AAZ	BAZ	AAZ	BAZ	
BODY TYPES	R.H. & L.H. NOTES	PART NUMBER LESS SUFFIX	TRIM CODES -continued																								NO. REQ'D
			593	593B																							
			PART NUMBER SUFFIXES																								
BV79C		BV 7963822	ABA	BBBA																							
BV79B		358338-S	Clip "C"																								as req'd

Group 64416-7

COVER ASSEMBLY (FRONT SEAT BACK)

BODY TYPES	R.H. & L.H. NOTES	PART NUMBER LESS SUFFIX	TRIM CODES																								NO. REQ'D				
			451A	453A	453B	454A	454B	552	552A	552B	553	553A	553B	554	555	556	556A	557	558	559	560	560A	561	562	563	564					
			PART NUMBER SUFFIXES																												
BV60B	R.H.	BV 6064416																													
BV60B	L.H.	BV 6064417																			ABJ	ABH		ABG	AM	AN	AR				
BV60E-70B	R.H.	BV 7064416																													
BV60E-70B	L.H.	BV 7064417																													
BV60E-70B	R.H.	ED-BV 7064416 AA	AB	AB1	AC	AC1	AC1	BB	BB	BB	BB	BC	BC	BC	BC	BC	BC	BC	BC	BC	BC	BC	BC	BC	BC	BC					
BV60E-70B	L.H.	ED-BV 7064417 AA	AB	AB1	AC	AC1	AC1	BB	BB	BB	BB	BC	BC	BC	BC	BC	BC	BC	BC	BC	BC	BC	BC	BC	BC	BC					
BV73B		BV 7364416																													
BV73B		ED-BV 7364416 AA	AB1	AB1	AC1	AC1	BB	BB	BB	BB	BC	BC	BC	BC	BC	BC	BC	BC	BC	BC	BC	BC	BC	BC	BC	BC					
BV73C		BV 7364416																													
																					ABB	ABD	ABE		ABF	ABC			AM		AR
BODY TYPES	R.H. & L.H. NOTES	PART NUMBER LESS SUFFIX	TRIM CODES -continued																								NO. REQ'D				
			565	568	568A	569	569B	570	571	572	573	574	583	584	585	585A	586	587	588	589	590	591	591A	591B	592	592B					
			PART NUMBER SUFFIXES																												
BV58A		BV 5864416																													
BV58A-79C		BV 7964416																													
BV60B	R.H.	BV 6064416	ABL	ABM																											
BV60B	L.H.	BV 6064417	ABL	ABM																											
BV60E-70B	R.H.	BV 7064416																													
BV60E-70B	L.H.	BV 7064417																													
BV60E-70B	R.H.	ED-BV 7064416																													
BV60E-70B	L.H.	ED-BV 7064417																													

+ Buttons (Less Pleats)
 ☆ Pleats (Less Nub Weave Cloth Back Seat Back) § Horizontal Bolster
 # Pleats (Less Buttons With Nub Cloth on Back Seat Back)

Continued on next page

BODY PARTS CATALOGUE



Group 66400-1

SHIELD ASSEMBLY (FRONT SEAT SIDE)

BODY TYPES	R.H. & L.H. NOTES	PART NUMBER LESS SUFFIX	TRIM CODES continued																								NO. REQ'D
			565	566	568A	569	569B	570	571	572	573	574	583	584	585	585A	586	587	588	589	590	591	591A	591B	592	592B	
			PART NUMBER SUFFIXES																								
BV58A-64A-64B	R.H.	BV 7666400															*AAE	*AAF								1	
BV58A-64A-64B	L.H.	BV 7666401															*AAE	*AAF								1	
BV58A-64A-64B	R.H.	BV 7666400															#CAE	#CAF								1	
BV58A-64A-64B	L.H.	BV 7666401															#CAE	#CAF								1	
BV58A-64A-64B-76B	R.H.	BV 7666400									*AAB	*AAB														1	
BV58A-64A-64B-76B	L.H.	BV 7666401									*AAB	*AAB														1	
BV58A-64A-64B-76B	R.H.	BV 7666400									#CAB	#CAB														1	
BV58A-64A-64B-76B	L.H.	BV 7666401									#CAB	#CAB														1	
BV58A-64A-64B-76B-79C	R.H.	BV 7666400	*AAF																			*AAY		*AAE		1	
BV58A-64A-64B-76B-79C	L.H.	BV 7666401	*AAF																			*AAY		*AAE		1	
BV58A-64A-64B-76B-79C	R.H.	BV 7666400	#CAF																			#CAY		#CAE		1	
BV58A-64A-64B-76B-79C	L.H.	BV 7666401	#CAF																			#CAY		#CAE		1	
BV60B	R.H.	BV 7366400	*AE	*AE					*ABC	*AE																1	
BV60B	L.H.	BV 7366401	*AE	*AE					*ABC	*AE																1	
BV60B	R.H.	BV 7366400	#CE	#CE					#CBC	#CE																1	
BV60B	L.H.	BV 7366401	#CE	#CE					#CBC	#CE																1	
BV64A-64B	R.H.	BV 7666400										*AAB	*AAB	*AAY												1	
BV64A-64B	L.H.	BV 7666401										*AAB	*AAB	*AAY												1	
BV64A-64B	R.H.	BV 7666400										#CAB	#CAB	#CAY												1	
BV64A-64B	L.H.	BV 7666401										#CAB	#CAB	#CAY												1	

Group 66600-1

COVER ASSEMBLY (REAR SEAT BACK)

BODY TYPES	R.H. & L.H. NOTES	PART NUMBER LESS SUFFIX	TRIM CODES																								NO. REQ'D					
			451A	453A	453B	454A	454B	552	552A	552B	553	553A	553B	554	555	556	556A	557	558	559	560	560A	561	562	563	564						
			PART NUMBER SUFFIXES																													
BV60B		BV 6066600																							ABJ	ABH		ABG	AM	AN	AR	1
BV60E		BV 6066600						AB	BB			AC	BC																			1
BV60E		ED-BV 6066600	AA	AB		AC																										1
BV70B-73B		BV 7066600						AB	BB			AC	BC																			1
BV70B-73B		ED-BV 7066600	AA	AB		AC																										1
BV73C		BV 7366600													ABE	ABD	ABE		ABF	ABC								AM		AR	1	

* Used with Electric Controlled Front Seat

Used with Electric Controlled Front Seat-4-Way

Continued on next page

BODY PARTS CATALOGUE



BODY TYPES	R.H. & L.H. NOTES	PART NUMBER LESS SUFFIX	TRIM CODES -continued																							NO. REQ'D												
			565	568	568A	569	569B	570	571	572	573	574	583	584	585	585A	586	587	588	589	590	591	591A	591B	592		592B											
			PART NUMBER SUFFIXES																																			
BV58A	R.H.	BV 5866600													AAB	AAC	AAM	AAN	AAR												AAY					AAZ	1	
BV58A	L.H.	BV 5866601													AAB	AAC	AAM	AAN	AAR												AAY					AAZ	1	
BV60B		BV 6066600	ABL	ABM							ABK	ABN																								1		
BV60E		BV 6066600				ABT																														1		
BV64A-64B	R.H.	BV 6466600													AAB	AAC	AAM	AAN	AAR												AAY				AAZ	1		
BV64A-64B	L.H.	BV 6466601													AAB	AAC	AAM	AAN	AAR												AAY				AAZ	1		
BV70B-73B		BV 7066600				ABT		AY																												1		
BV76B	R.H.	BV 7666600													AAB	AAC															AAY				AAZ	1		
BV76B	L.H.	BV 7666601													AAB	AAC															AAY				AAZ	1		
BV79B	R.H.	BV 7966600																										BAU	BAV	BAX							1	
BV79B	L.H.	BV 7966601																									BAU	BAV	BAX							1		
BV79C	R.H.	BV 7966600																													BAY				§CAY	BAZ	§CAZ	1
BV79C	L.H.	BV 7966601																													BAY				§FAY	BAZ	§FAZ	1

BODY TYPES	R.H. & L.H. NOTES	PART NUMBER LESS SUFFIX	TRIM CODES -continued																							NO. REQ'D											
			593	593B																																	
			PART NUMBER SUFFIXES																																		
BV58A	R.H.	BV 5866600	ABA																																	1	
BV58A	L.H.	BV 5866601	ABA																																	1	
BV64A 64B	R.H.	BV 6466600	ABA																																	1	
BV64A-64B	L.H.	BV 6466601	ABA																																		1
BV76B	R.H.	BV 7666600	ABA																																	1	
BV76B	L.H.	BV 7666601	ABA																																	1	
BV79C	R.H.	BV 7966600	BBA	§CBA																																1	
BV79C	L.H.	BV 7966601	BBA	§FBA																																1	
BV		358338-S																																		4	
BV except 70B-79B		52735-S15																																		4	
BV except 70B-79B		44713-S8																																		4	

Group 66640

COVER ASSEMBLY (AUXILIARY SEAT BACK)

BODY TYPES	R.H. & L.H. NOTES	PART NUMBER LESS SUFFIX	TRIM CODES																							NO. REQ'D															
			565	568	568A	569	569B	570	571	572	573	574	583	584	585	585A	586	587	588	589	590	591	591A	591B	592		592B														
			PART NUMBER SUFFIXES																																						
BV79B		BV 7966640																																	AAU	AAV	AAX	1			
BV79C		BV 7966640																																			AAY	§BAY	AAZ	§BAZ	1

§ Horizontal Bolster

Continued on next page



Group 66640

COVER ASSEMBLY (AUXILIARY SEAT BACK)

BODY TYPES	R.H. & L.H. NOTES	PART NUMBER LESS SUFFIX	TRIM CODES -continued																								NO. REQ'D
			593	593B																							
			PART NUMBER SUFFIXES																								
BV79C		BV 7966640	ABA	SBBA																						1	

Group 66656

COVER ASSEMBLY (REAR SEAT BACK FRAME)

BODY TYPES	R.H. & L.H. NOTES	PART NUMBER LESS SUFFIX	TRIM CODES																								NO. REQ'D
			565	568	568A	569	569B	570	571	572	573	574	583	584	585	585A	586	587	588	589	590	591	591A	591B	592	592B	
			PART NUMBER SUFFIXES																								
BV76B		BV 7666656									AAB	AAC									AAY			AAZ		1	
BODY TYPES	R.H. & L.H. NOTES	PART NUMBER LESS SUFFIX	TRIM CODES -continued																								NO. REQ'D
			593	593B																							
			PART NUMBER SUFFIXES																								
BV76B		BV 7666656	ABA																							1	

Group 67240

CENTER ARM REST ASSEMBLY -TRIMMED

BODY TYPES	R.H. & L.H. NOTES	PART NUMBER LESS SUFFIX	TRIM CODES																								NO. REQ'D
			565	568	568A	569	569B	570	571	572	573	574	583	584	585	585A	586	587	588	589	590	591	591A	591B	592	592B	
			PART NUMBER SUFFIXES																								
BV58A-64A-64B		BV 6467240															BAZ	BBA			BAY			BAZ		1	
BV64A-64B		BV 6467240								BAB	BAC	BAB	BAC	BAY												1	
BV76B		BV 7667240								AAB	AAC										BAY			BAZ		1	
BODY TYPES	R.H. & L.H. NOTES	PART NUMBER LESS SUFFIX	TRIM CODES -continued																								NO. REQ'D
			593	593B																							
			PART NUMBER SUFFIXES																								
BV58A-64A-64B		BV 6467240	BBA																							1	
BV76B		BV 7667240	BBA																							1	
BV64-76B		42789-S8	Screw & lock washer assy																						4		
BV64-76B		44722-S8	Washer (flat)																						4		

Group 67244

COVER ASSEMBLY (CENTER ARM REST)

BODY TYPES	R.H. & L.H. NOTES	PART NUMBER LESS SUFFIX	TRIM CODES																								NO. REQ'D
			565	568	568A	569	569B	570	571	572	573	574	583	584	585	585A	586	587	588	589	590	591	591A	591B	592	592B	
			PART NUMBER SUFFIXES																								
BV58A-64A-64B		BV 6467244								BAB	BAC	BAB	BAC	BAY		BAZ	BBA				BAY			BAZ		1	
BV76B		BV 7667244								BAB	BAC										BAY			BAZ		1	

Continued on next page

